



US00D889051S

(12) **United States Design Patent** (10) **Patent No.:** **US D889,051 S**  
**Combs et al.** (45) **Date of Patent:** **\*\* Jun. 30, 2020**

(54) **BIRD FEEDER**

- (71) Applicant: **Classic Brands, LLC**, Denver, CO (US)
- (72) Inventors: **Stephen Combs**, Denver, CO (US); **Lindsey Nifong**, Denver, CO (US); **Robert Donegan**, Denver, CO (US); **John Bruno**, Parker, CO (US); **Bryan Krueger**, Denver, CO (US)
- (73) Assignee: **CLASSIC BRANDS, LLC**, Denver, CO (US)
- (\*\*) Term: **15 Years**
- (21) Appl. No.: **29/713,359**
- (22) Filed: **Nov. 15, 2019**

**Related U.S. Application Data**

- (63) Continuation-in-part of application No. 29/698,021, filed on Jul. 12, 2019.
- (51) **LOC (12) Cl.** ..... **30-03**
- (52) **U.S. Cl.**  
USPC ..... **D30/127**
- (58) **Field of Classification Search**  
USPC ..... D30/121, 124, 126–129, 133, 199, D30/110–112, 123, 125; 119/52.2, 51.5, 119/61.5, 57.8, 57.9, 52.3, 61.1, 531, 63, 119/428–435, 52.4, 55, 61.3, 69.5, 75, 76; 47/67, 83; 248/318; D11/164, 152; 211/128.1; D27/123; D6/495, 460, 461, D6/476, 405  
CPC .... A01K 39/00; A01K 39/01; A01K 39/0113; A01K 39/012; A01K 39/06; A01K 39/014; A01K 5/0225; A01K 5/00  
See application file for complete search history.

(56) **References Cited**

U.S. PATENT DOCUMENTS

- 3,051,126 A \* 8/1962 Merritt ..... A01K 39/0113  
119/52.4
- 3,136,296 A \* 6/1964 Luin ..... A01K 39/012  
119/52.2
- 3,734,061 A \* 5/1973 Kraus ..... A01K 39/012  
119/52.2
- 4,144,842 A \* 3/1979 Schlising ..... A01K 39/0113  
119/52.3
- 4,732,112 A \* 3/1988 Fenner ..... A01K 39/012  
119/52.2
- 5,062,388 A \* 11/1991 Kilham ..... A01K 39/012  
119/52.2
- 5,269,242 A \* 12/1993 Toldi ..... A01K 39/012  
119/52.2
- 5,285,748 A \* 2/1994 Weldin ..... A01K 39/0113  
119/57.9
- D374,195 S \* 10/1996 Wright ..... D11/130.1  
(Continued)

*Primary Examiner* — Susan Moon Lee  
 (74) *Attorney, Agent, or Firm* — Polsinelli P.C.

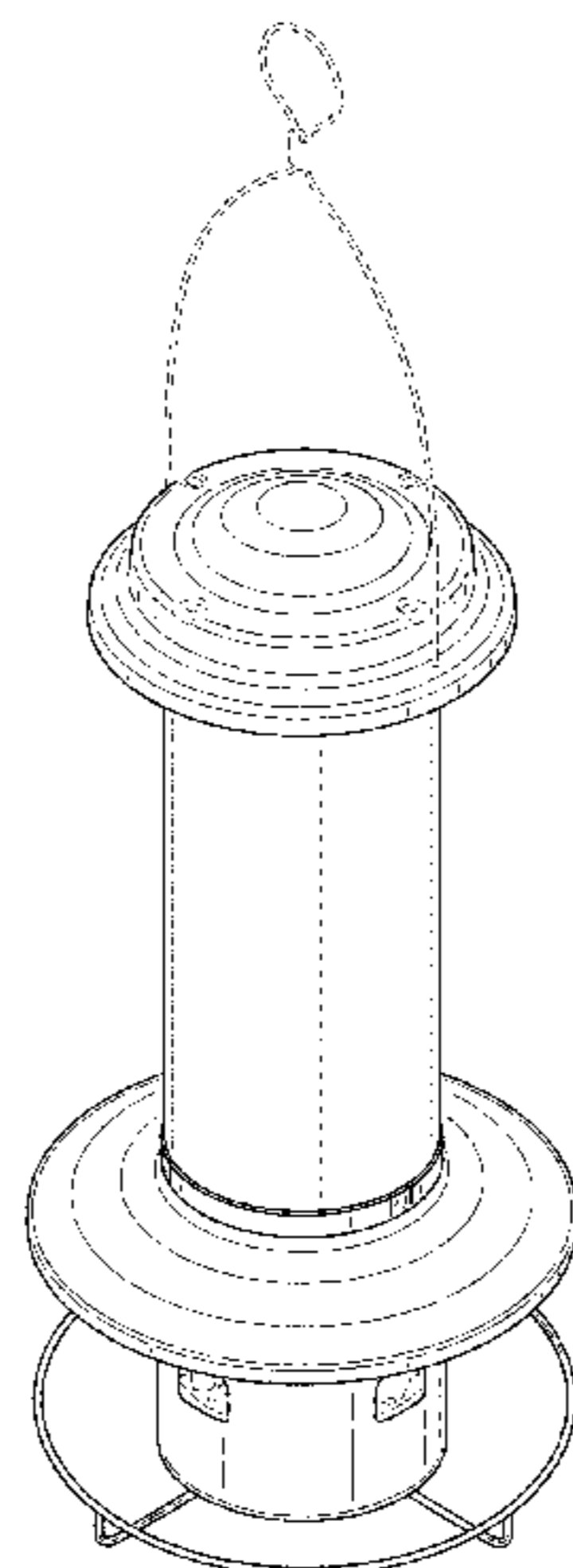
(57) **CLAIM**

The ornamental design for a bird feeder, as shown and described.

**DESCRIPTION**

FIG. 1 is an isometric view of a bird feeder showing our new design.  
 FIG. 2 is a bottom perspective view thereof.  
 FIG. 3 is a front view thereof.  
 FIG. 4 is a back view thereof.  
 FIG. 5 is a right side view thereof.  
 FIG. 6 is a left side view thereof.  
 FIG. 7 is a top view thereof; and,  
 FIG. 8 is a bottom view thereof.  
 The broken lines shown in the Figures illustrate portions of the bird feeder that form no part of the claimed design. The shade lines in the Figures show contour and do not claim surface ornamentation or treatment.

**1 Claim, 8 Drawing Sheets**



(56)

References Cited

U.S. PATENT DOCUMENTS

D386,835 S *	11/1997	Passamare	D30/124	D817,556 S *	5/2018	Thorn	D30/127
5,829,383 A *	11/1998	Blanding	A01K 39/0113 119/52.3	10,119,652 B2 *	11/2018	Cote	A45F 3/44
5,904,330 A	5/1999	Manico		10,212,921 B1	2/2019	Plemmons	
6,119,627 A *	9/2000	Banyas	A01K 39/0113 119/52.3	D851,842 S *	6/2019	Nifong	D30/127
6,318,290 B1 *	11/2001	Fisher	A01K 39/0113 119/51.5	10,314,294 B2 *	6/2019	Thorn	A01K 39/0113
6,539,892 B1 *	4/2003	Bescherer	A01K 39/0113 119/52.1	D867,679 S *	11/2019	Nifong	D30/127
6,543,384 B2 *	4/2003	Cote	A01K 39/0113 119/57.9	2002/0139311 A1 *	10/2002	Cote	A01K 39/0113 119/57.9
D488,590 S *	4/2004	Fort, II	119/51.01	2003/0226514 A1 *	12/2003	Cote	A01K 39/0113 119/57.9
D490,576 S *	5/2004	Rich	D30/128	2004/0134436 A1 *	7/2004	Fort, II	A01K 39/012 119/57.8
6,895,894 B2 *	5/2005	Fort, II	A01K 39/012 119/51.01	2005/0005865 A1 *	1/2005	Rich	A01K 39/012 119/52.2
6,918,353 B1 *	7/2005	Coroneos	A01K 39/0113 119/52.3	2005/0263083 A1 *	12/2005	Coroneos	A01K 39/0113 119/57.1
6,945,192 B2 *	9/2005	Cote	A01K 39/0113 119/57.9	2006/0207512 A1 *	9/2006	Fort, II	A01K 39/012 119/57.8
D524,902 S *	7/2006	Masters	D22/122	2006/0266295 A1 *	11/2006	McDarren	A01K 39/014 119/57.8
7,219,621 B2 *	5/2007	Coroneos	A01K 39/0113 119/51.01	2006/0288944 A1 *	12/2006	Hoff	A01K 39/0113 119/57.9
7,234,416 B2 *	6/2007	Hoff	A01K 39/0113 119/52.2	2007/0006812 A1 *	1/2007	White	A01K 39/012 119/57.8
7,258,075 B1 *	8/2007	Jones	A01K 39/0113 119/57.9	2008/0156269 A1 *	7/2008	Greenwood	A01K 39/0106 119/51.01
7,275,500 B2 *	10/2007	Fort, II	A01K 39/012 119/53	2009/0260576 A1 *	10/2009	Vosbikian	A01K 39/012 119/52.2
D571,056 S *	6/2008	Bloedorn	D30/127	2011/0083609 A1 *	4/2011	Cote	A01K 39/012 119/52.2
D572,866 S *	7/2008	Bloedorn	D30/127	2011/0083610 A1 *	4/2011	Cote	A01K 39/0113 119/52.3
7,610,875 B2 *	11/2009	Webber	A01K 39/0113 119/57.8	2011/0100299 A1 *	5/2011	Colwell	A01K 31/12 119/52.2
7,669,553 B2 *	3/2010	White	A01K 39/012 119/450	2012/0111278 A1 *	5/2012	Greenwood	A01K 39/0106 119/52.2
7,721,676 B2 *	5/2010	Bloedorn	A01K 39/012 119/57.8	2012/0234249 A1 *	9/2012	Gaze	A01K 39/012 119/57.8
D646,027 S *	9/2011	Colwell	D30/124	2015/0144065 A1 *	5/2015	Chen	A01K 39/0106 119/51.03
8,191,508 B2 *	6/2012	Greenwood	A01K 39/012 119/52.2	2015/0296750 A1 *	10/2015	Cote	A01K 39/012 119/57.8
D663,079 S *	7/2012	Greenwood	A01K 39/012 D30/128	2015/0366168 A1 *	12/2015	Cote	A01K 39/0113 119/52.2
8,230,809 B2 *	7/2012	Cote	A01K 39/0113 119/52.3	2016/0156989 A1	6/2016	Lovett	
D692,191 S *	10/2013	Stephens	D30/127	2016/0366319 A1	12/2016	Perkins	
8,931,434 B2 *	1/2015	Tu	A01K 39/01 119/51.01	2017/0172112 A1 *	6/2017	Thorn	A01K 39/012
D745,227 S *	12/2015	Thorn	D30/127	2017/0191284 A1 *	7/2017	Cote	A45F 3/44
9,282,726 B2 *	3/2016	Cote	A01K 39/0113	2017/0339927 A1 *	11/2017	Cote	A01K 39/012
9,320,263 B2 *	4/2016	Cote	A01K 39/012	2019/0159432 A1 *	5/2019	Bruno	A01K 39/0113
9,526,232 B2 *	12/2016	Cote	A01K 39/0113	2019/0269104 A1 *	9/2019	Cole	A01K 39/012
9,609,852 B2 *	4/2017	Cote	A01K 39/0113	2019/0269105 A1 *	9/2019	Cote	A01K 39/012
D811,013 S *	2/2018	Thorn	D30/127	2019/0313608 A1 *	10/2019	Cote	A01K 39/012
D811,014 S *	2/2018	Thorn	D30/127	2019/0327942 A1 *	10/2019	Chi	A01K 39/0113
				2019/0364852 A1 *	12/2019	Cote	A01K 39/012

\* cited by examiner

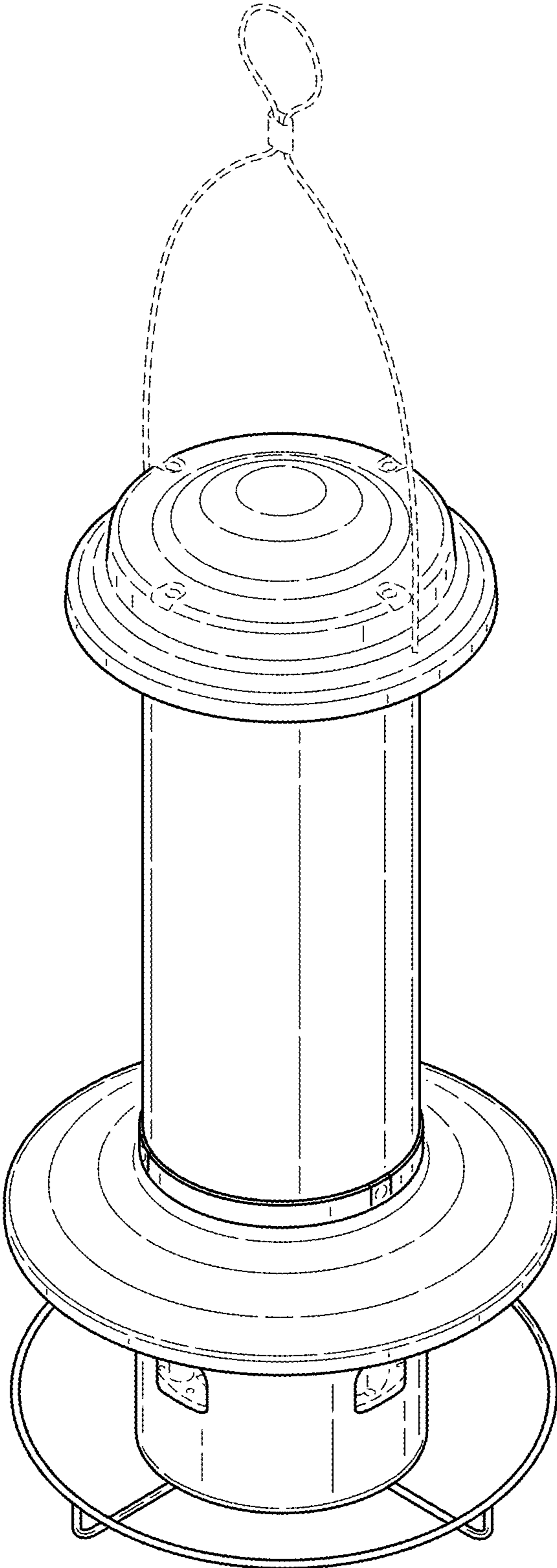


FIG. 1

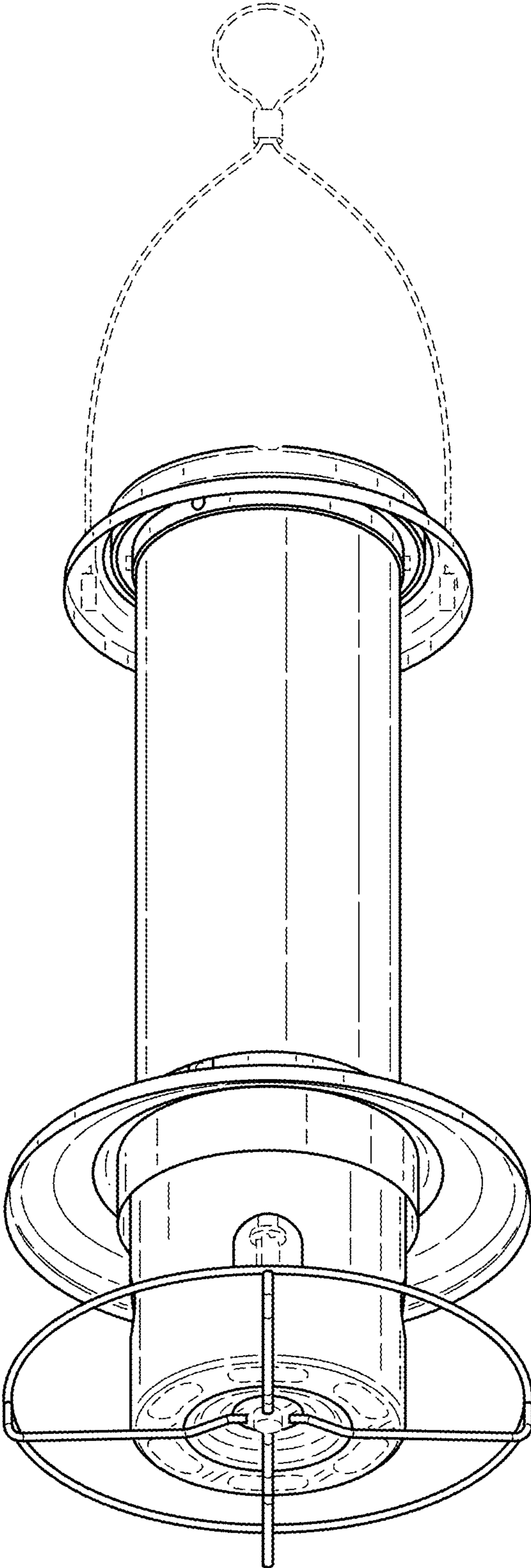


FIG.2

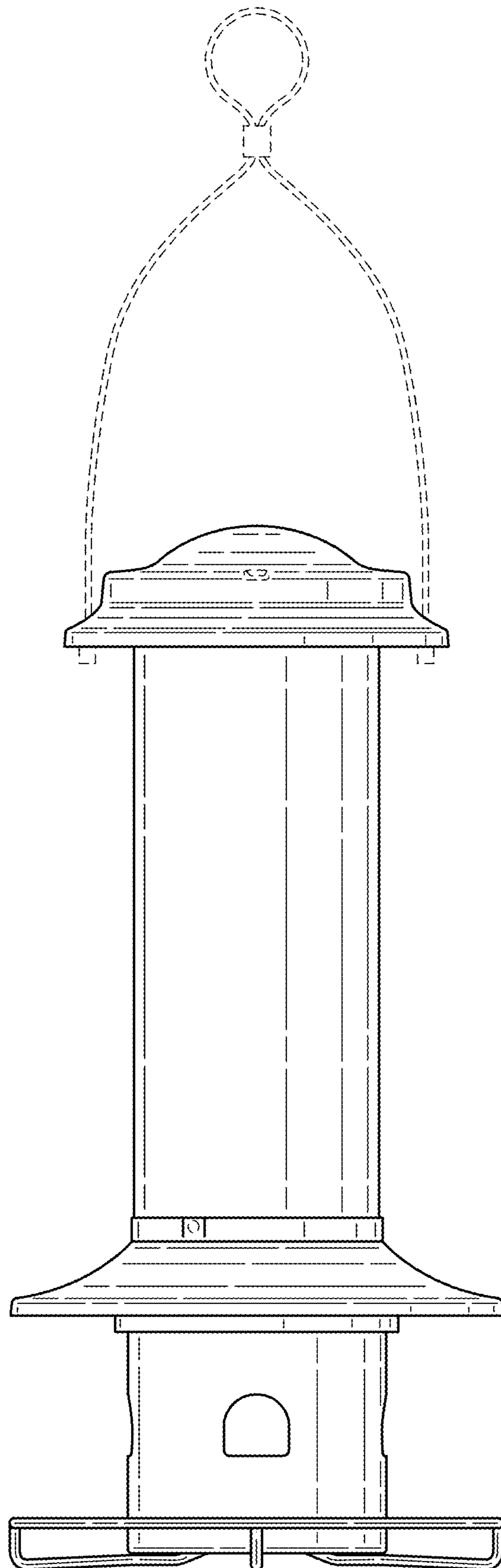


FIG. 3

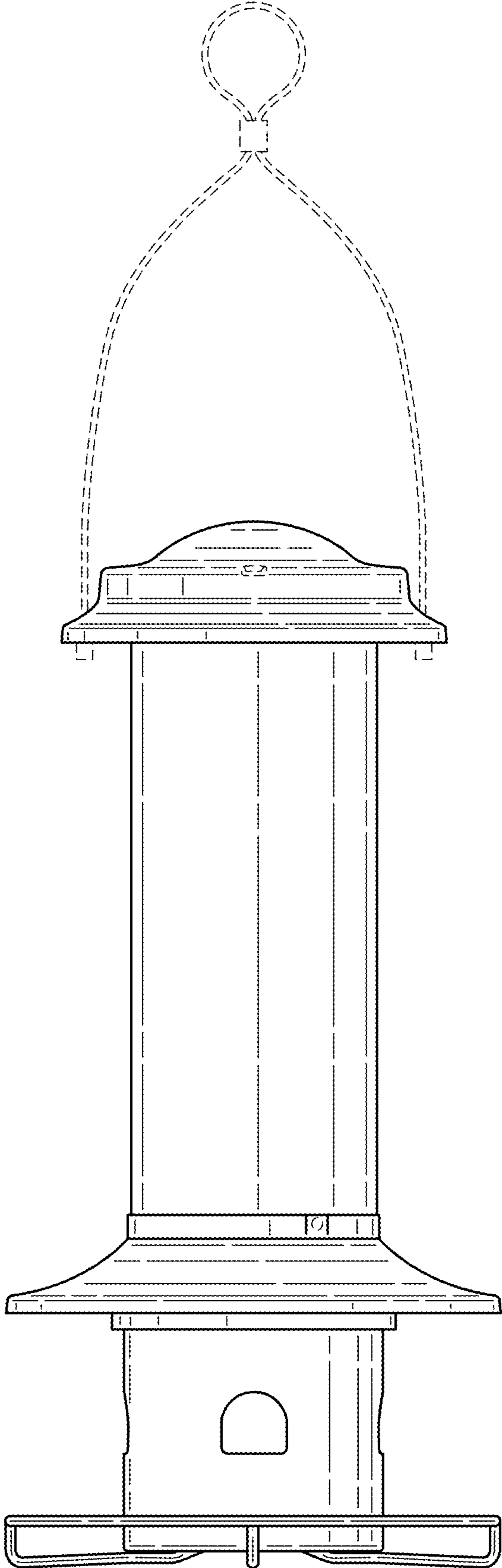


FIG.4

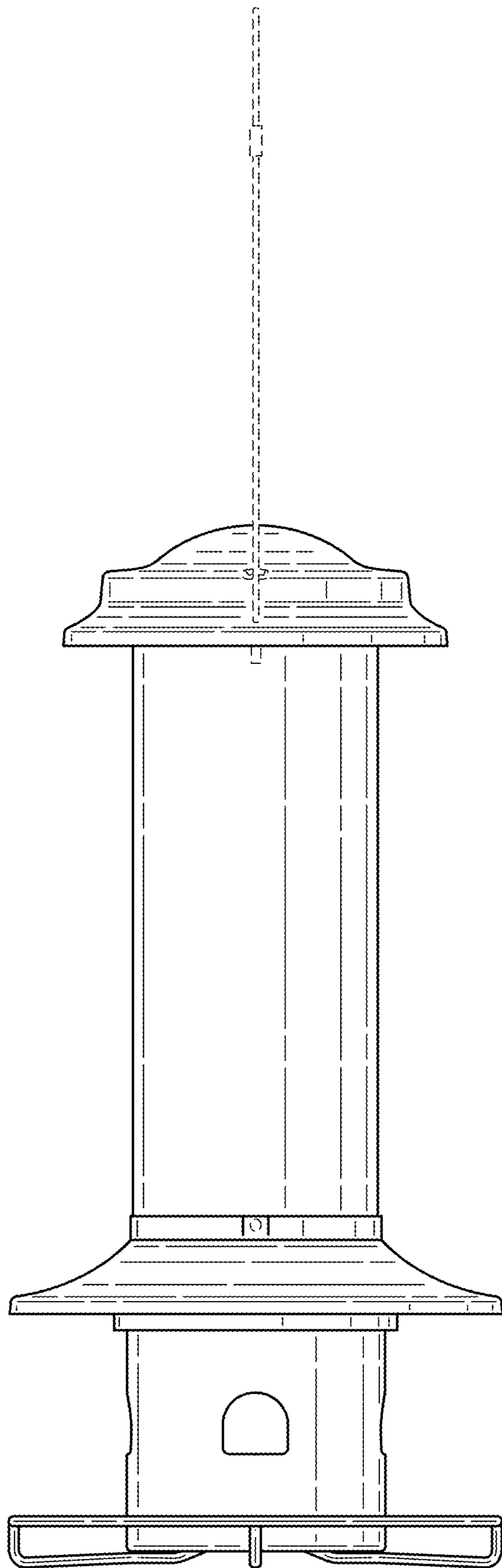


FIG.5

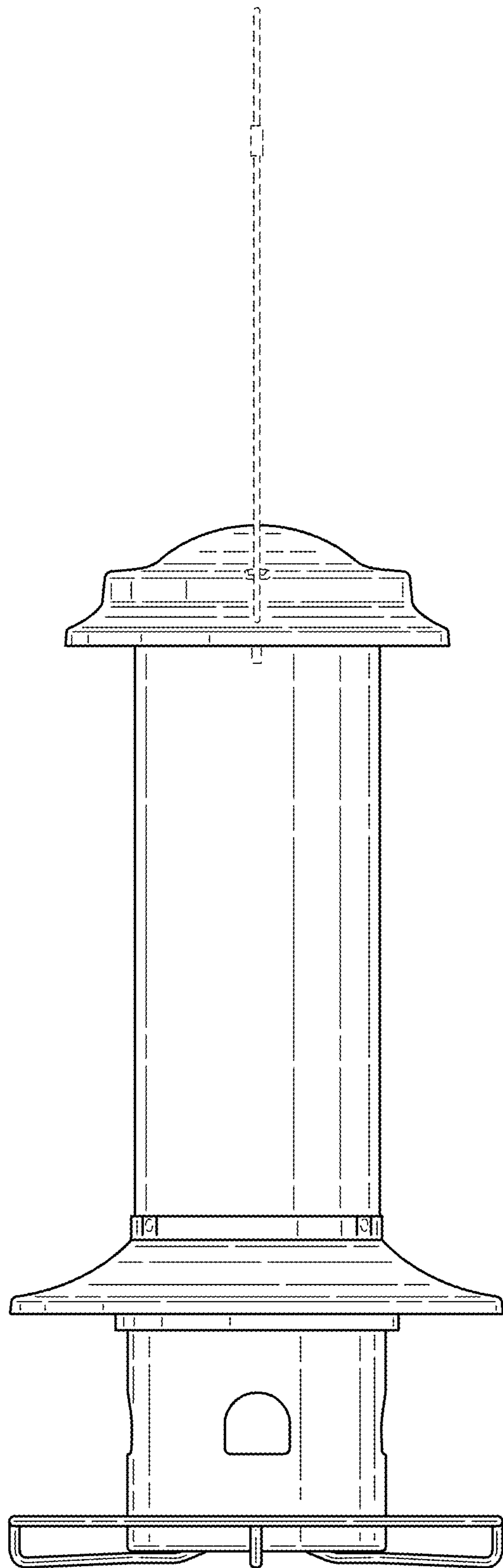


FIG.6



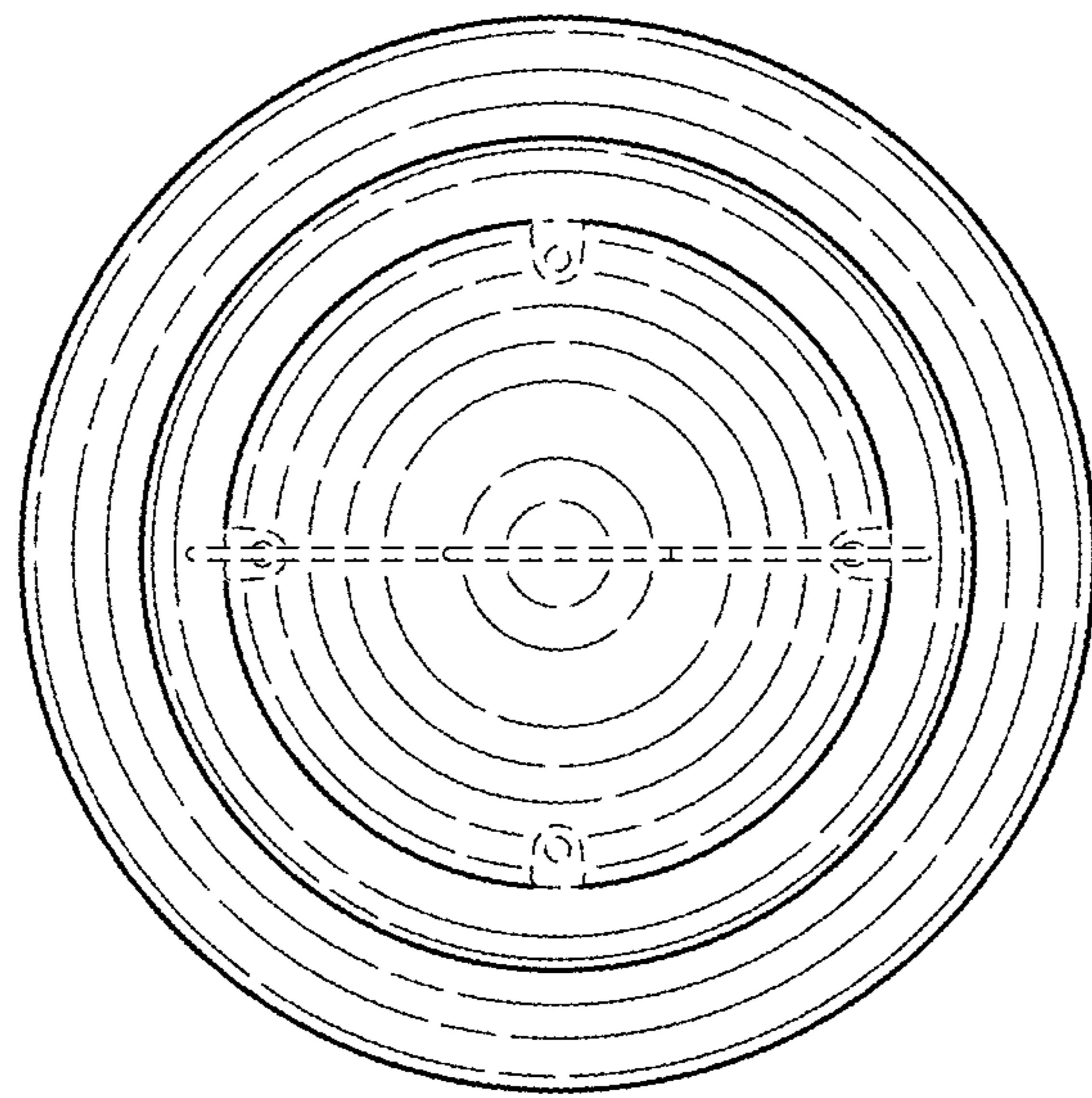


FIG.7

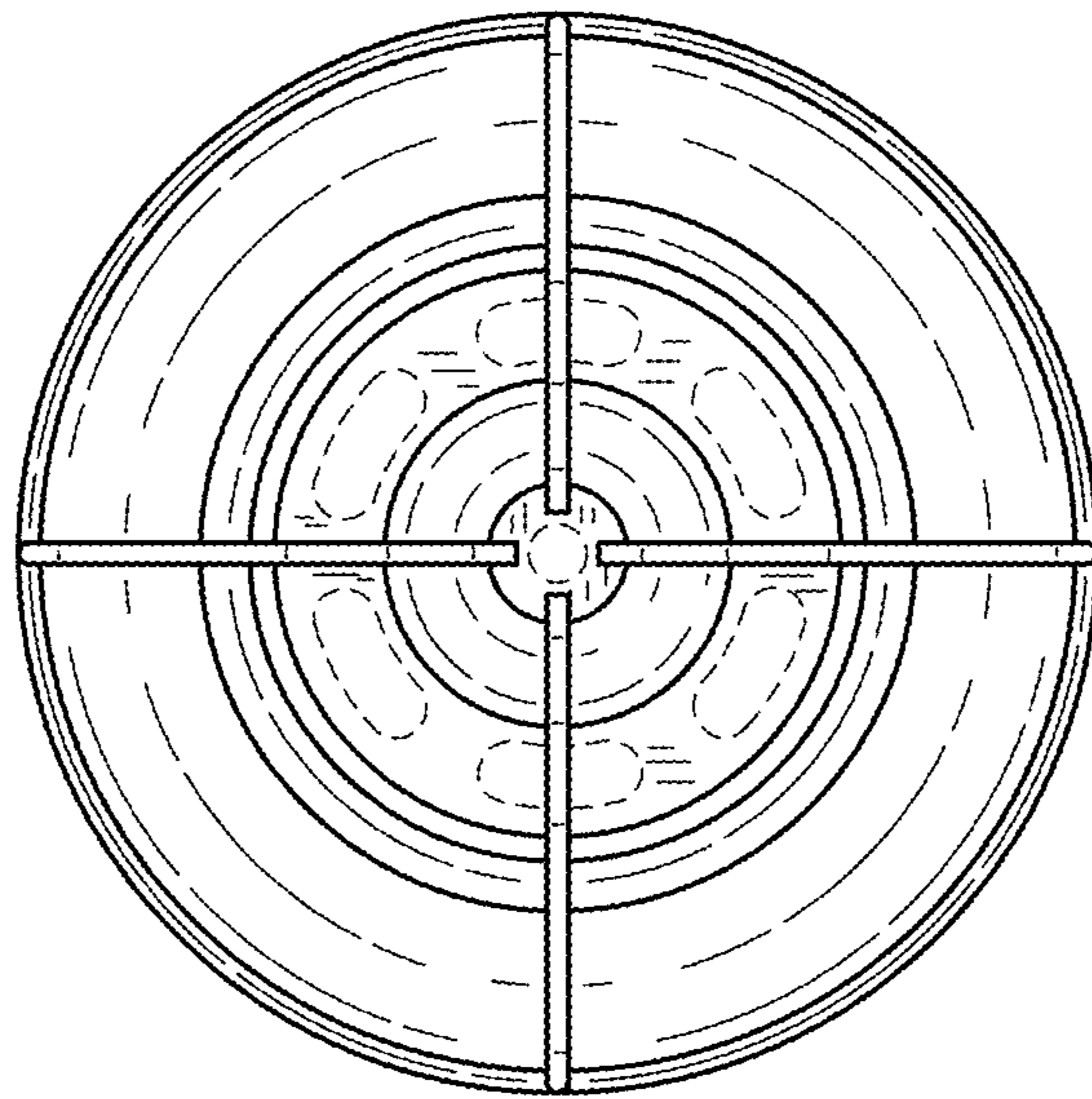


FIG.8