



US00D698799S

(12) **United States Design Patent**
Edwards et al.

(10) **Patent No.:** **US D698,799 S**

(45) **Date of Patent:** **** Feb. 4, 2014**

(54) **DISPLAY SCREEN WITH ANIMATED GRAPHICAL USER INTERFACE**

(75) Inventors: **Christopher D. Edwards**, Seattle, WA (US); **Teresa Thomas**, Bellevue, WA (US); **Tyler Robert Adams**, Kirkland, WA (US); **Galen M. Elias**, Bellevue, WA (US)

(73) Assignee: **Microsoft Corporation**, Redmond, WA (US)

(**) Term: **14 Years**

(21) Appl. No.: **29/412,710**

(22) Filed: **Feb. 7, 2012**

(51) **LOC (10) Cl.** **14-04**

(52) **U.S. Cl.**
USPC **D14/486**

(58) **Field of Classification Search**
USPC D14/485-488; 715/825
See application file for complete search history.

(56) **References Cited**

U.S. PATENT DOCUMENTS

D540,340	S	*	4/2007	Cummins	D14/486
7,315,987	B2	*	1/2008	Tanaka et al.	715/838
7,398,479	B2	*	7/2008	Hooper et al.	715/838
7,441,194	B2	*	10/2008	Vronay et al.	715/738
D597,101	S	*	7/2009	Chaudhri et al.	D14/488
D613,752	S	*	4/2010	Barcheck et al.	D14/492
7,761,812	B2	*	7/2010	Ostojic et al.	715/835
D640,266	S	*	6/2011	Furuya et al.	D14/486
D642,192	S	*	7/2011	Arnold	D14/487
D644,649	S	*	9/2011	Fullington et al.	D14/485
D648,344	S	*	11/2011	Arnold	D14/486
D664,971	S	*	8/2012	Lee et al.	D14/486

D664,984	S	*	8/2012	Lee et al.	D14/488
D687,453	S	*	8/2013	Jung et al.	D14/486
D689,884	S	*	9/2013	Holz et al.	D14/485
2004/0090468	A1	*	5/2004	Cruikshank et al.	345/838
2007/0083911	A1	*	4/2007	Madden et al.	725/135
2008/0126930	A1	*	5/2008	Scott	715/702
2010/0281390	A1	*	11/2010	Kurtz et al.	715/738
2013/0093793	A1	*	4/2013	Edwards et al.	345/660

* cited by examiner

Primary Examiner — Karen E Kearney

(74) *Attorney, Agent, or Firm* — Banner & Witcoff, Ltd.

(57) **CLAIM**

The ornamental design for a display screen with animated user interface, as shown and described.

DESCRIPTION

FIG. 1 is a front view of the first image in a sequence for a display screen with animated graphical user interface showing our new design;

FIG. 2 is the second image thereof;

FIG. 3 is the third image thereof;

FIG. 4 is the fourth image thereof;

FIG. 5 is the fifth image thereof;

FIG. 6 is the sixth image thereof;

FIG. 7 is the seventh image thereof;

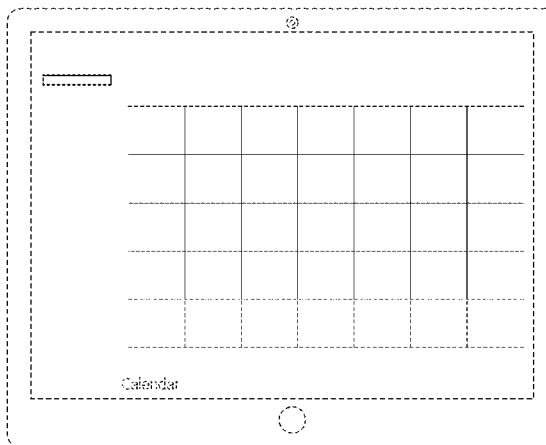
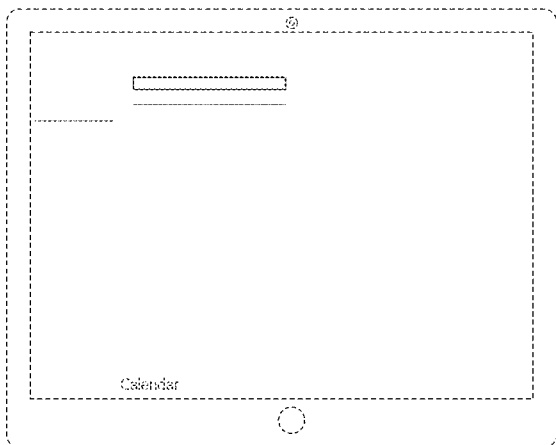
FIG. 8 is the eighth image thereof;

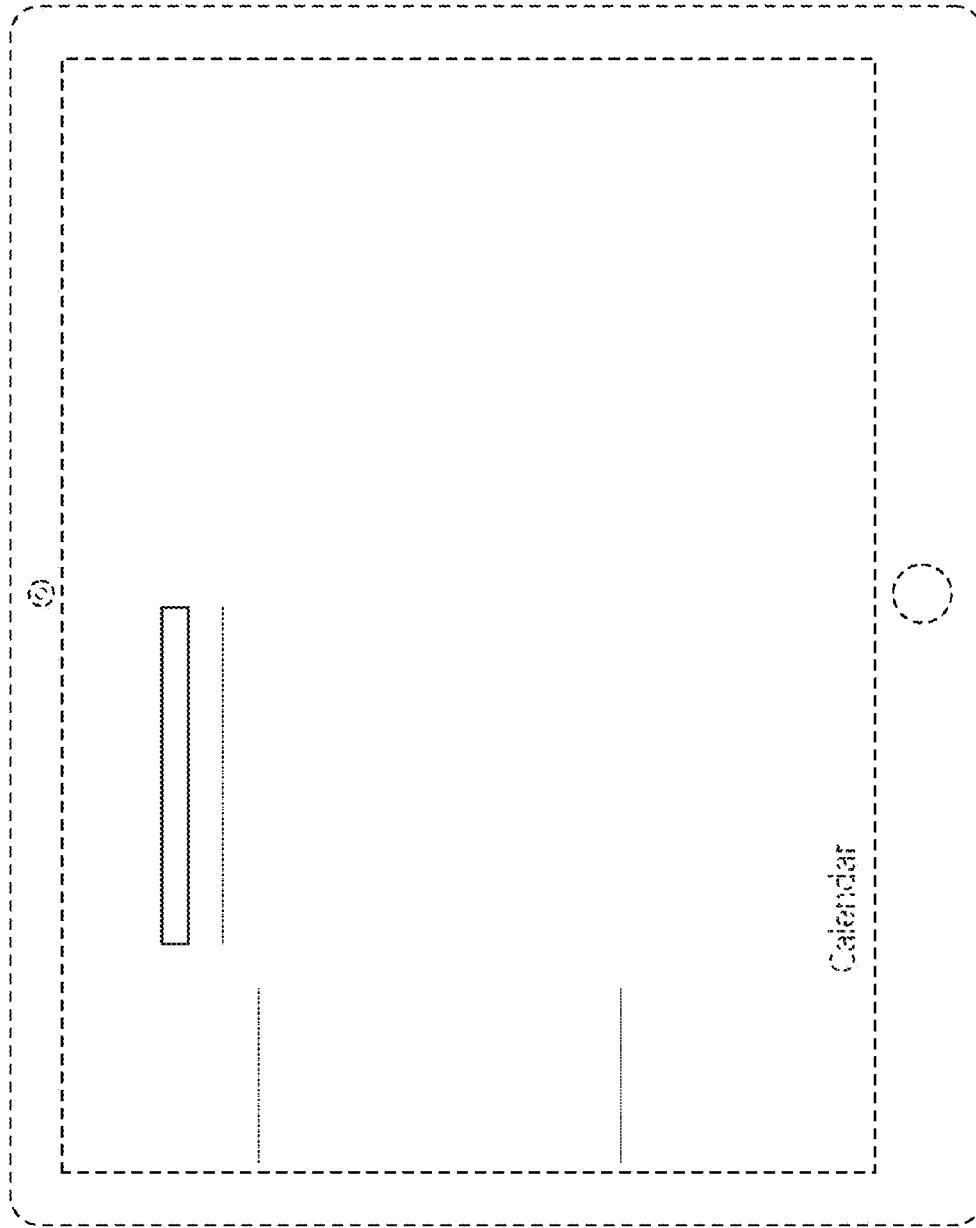
FIG. 9 is the ninth image thereof; and,

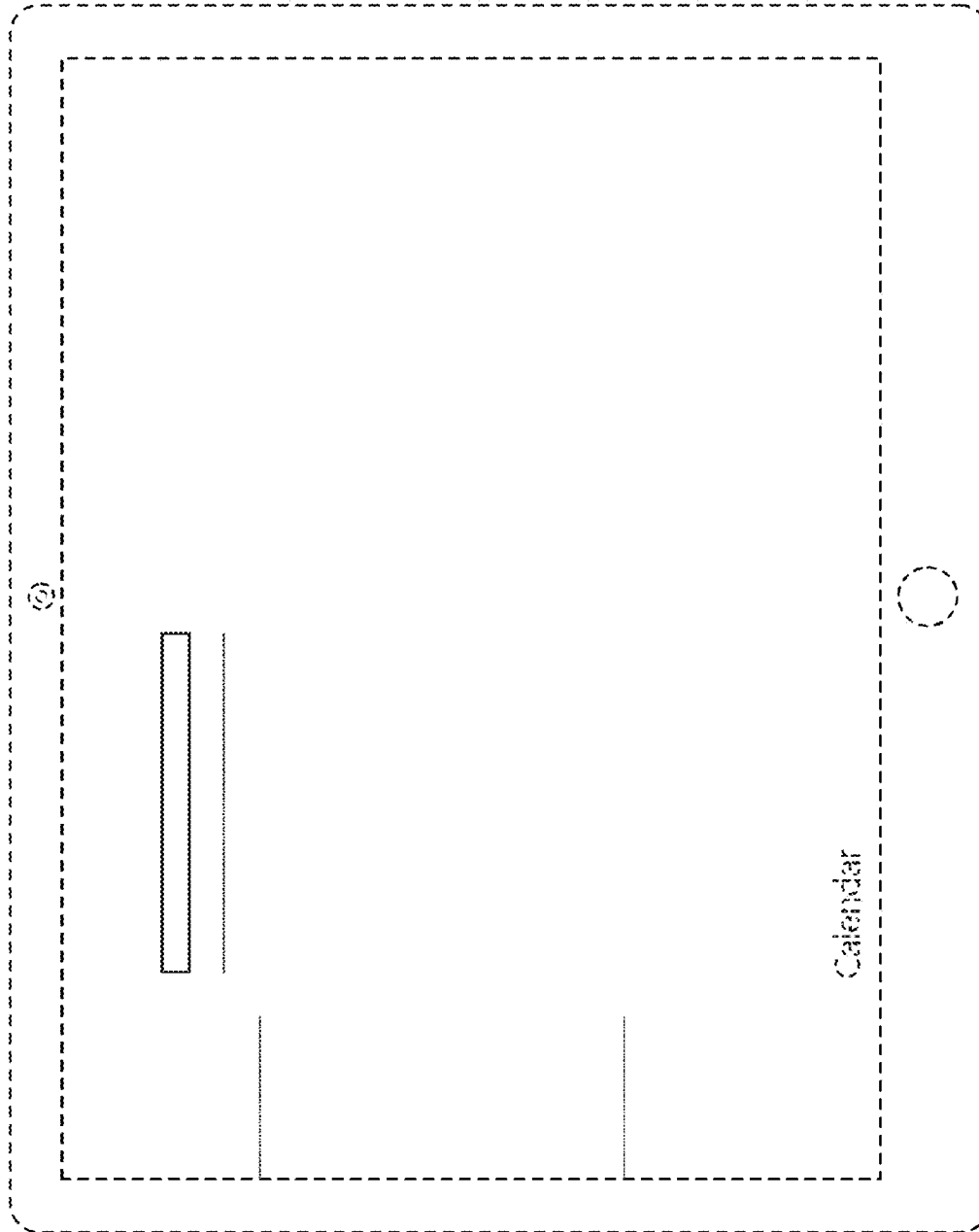
FIG. 10 is the tenth image thereof.

The appearance of the animated user interface sequentially transitions between the images shown in FIGS. 1-10. The process or period in which one image transitions to another forms no part of the claimed design. The broken line showing of the remainder of the user interface in FIGS. 6-10 and the text and the display screen in the figures is for environmental purposes only and forms no part of the claimed design.

1 Claim, 10 Drawing Sheets







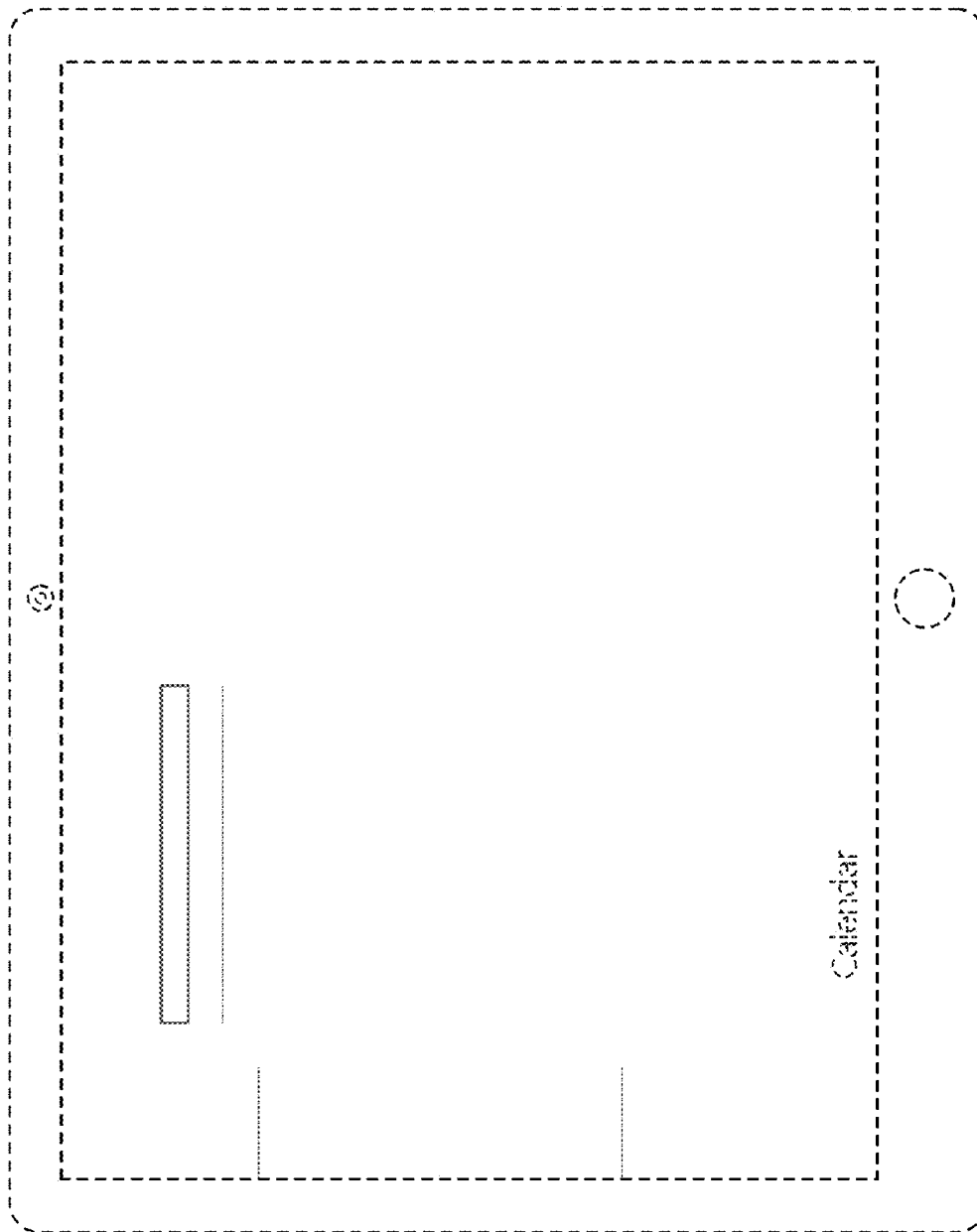


FIG. 3

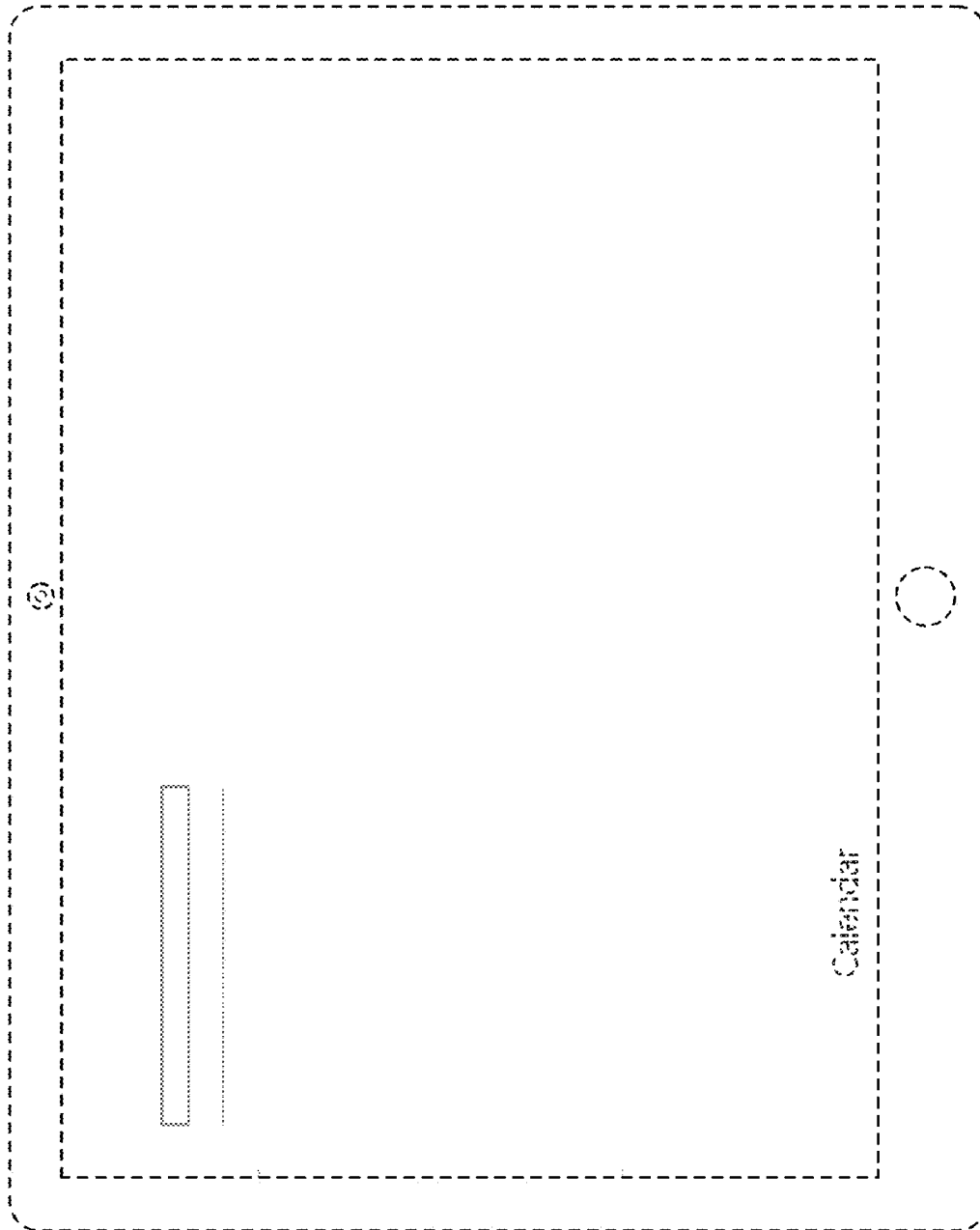


FIG. 4

Calendar

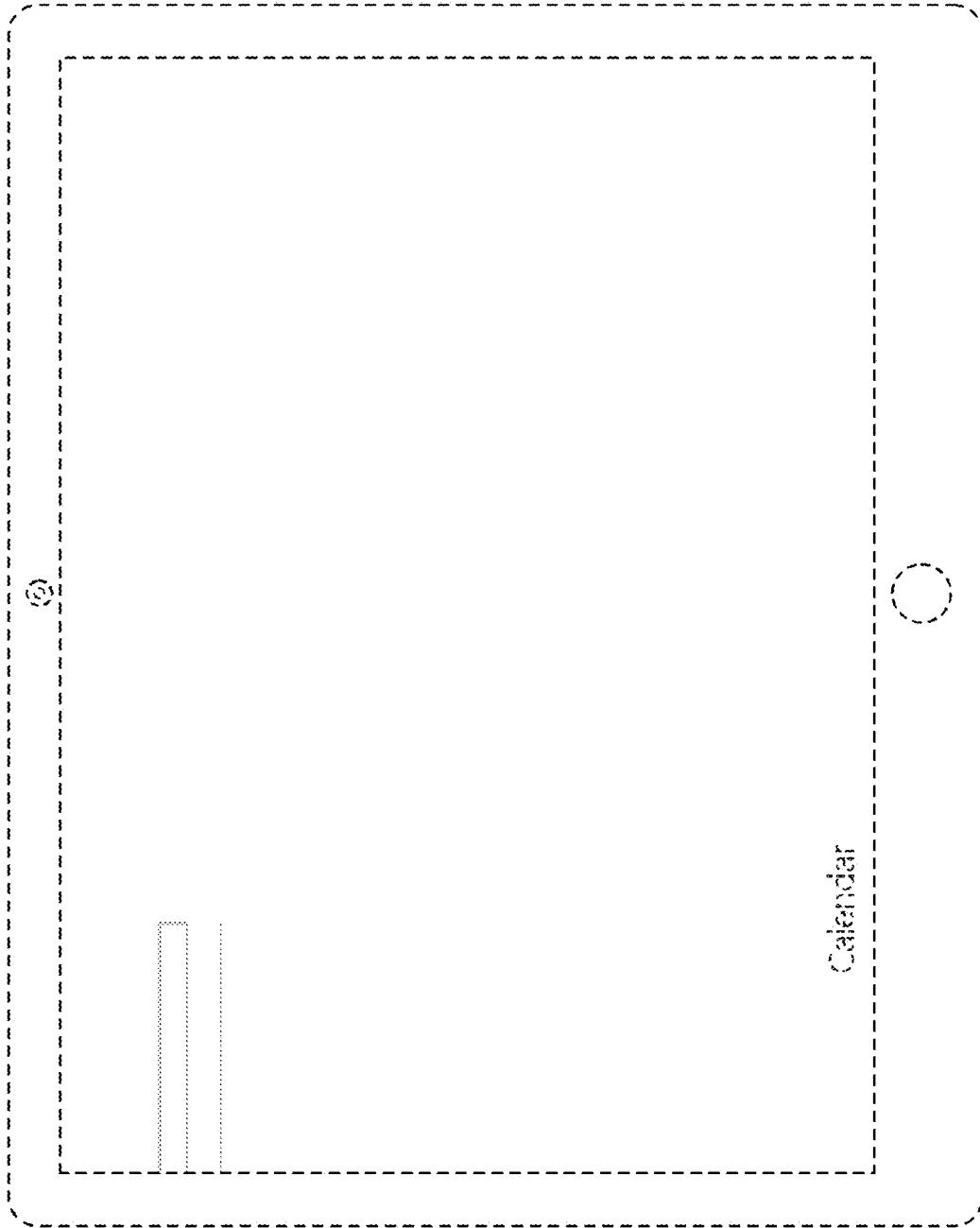


FIG. 5

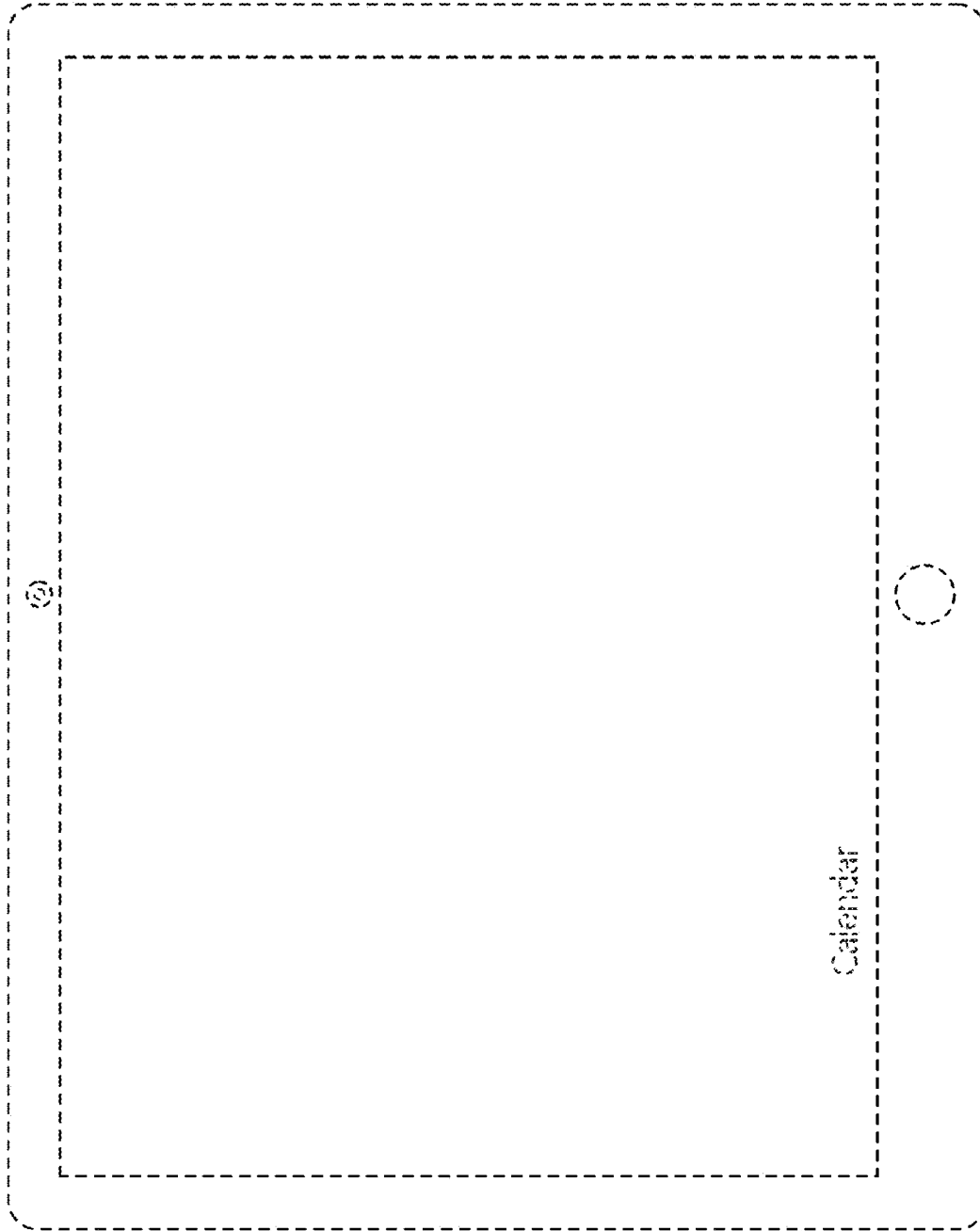
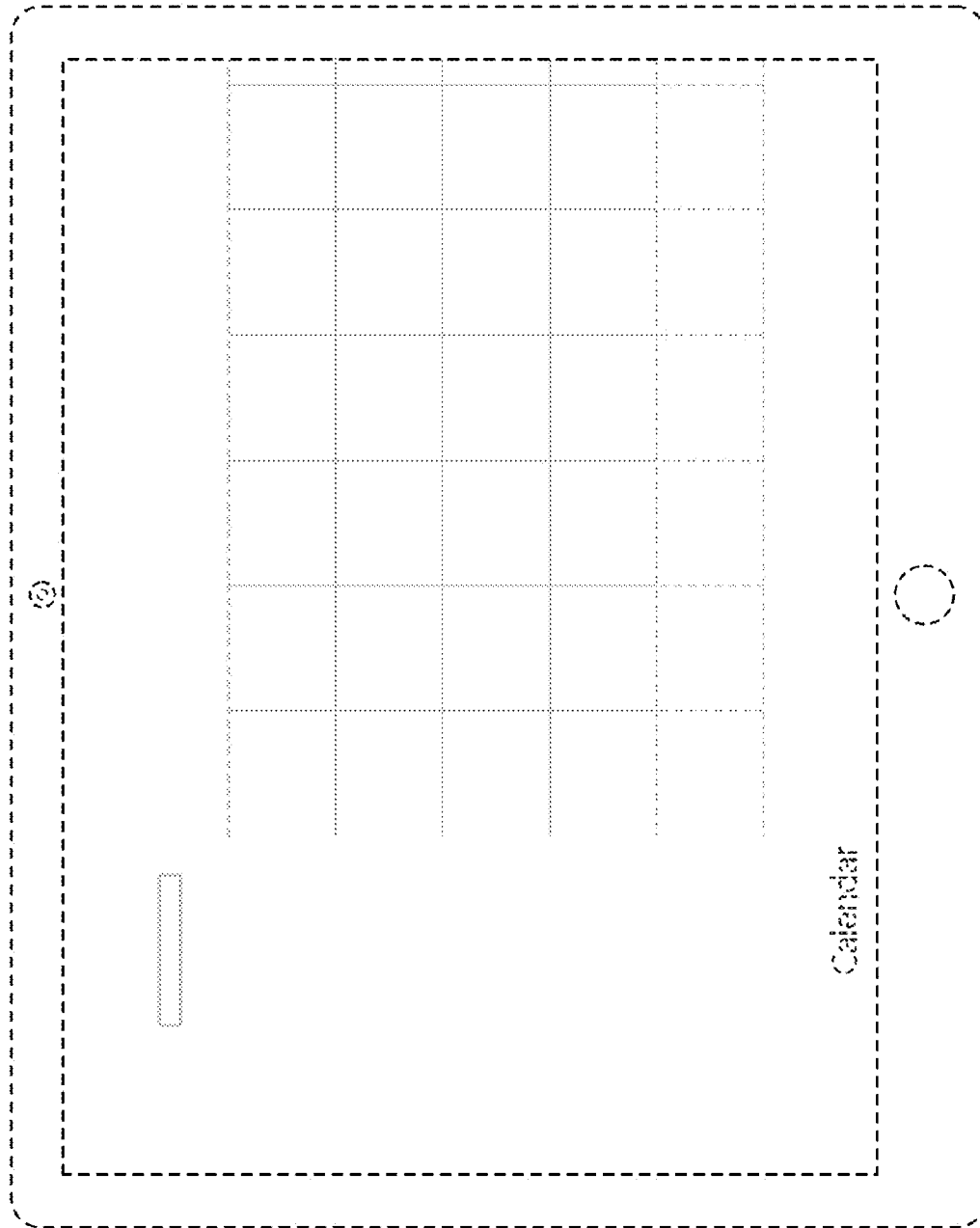


FIG. 6



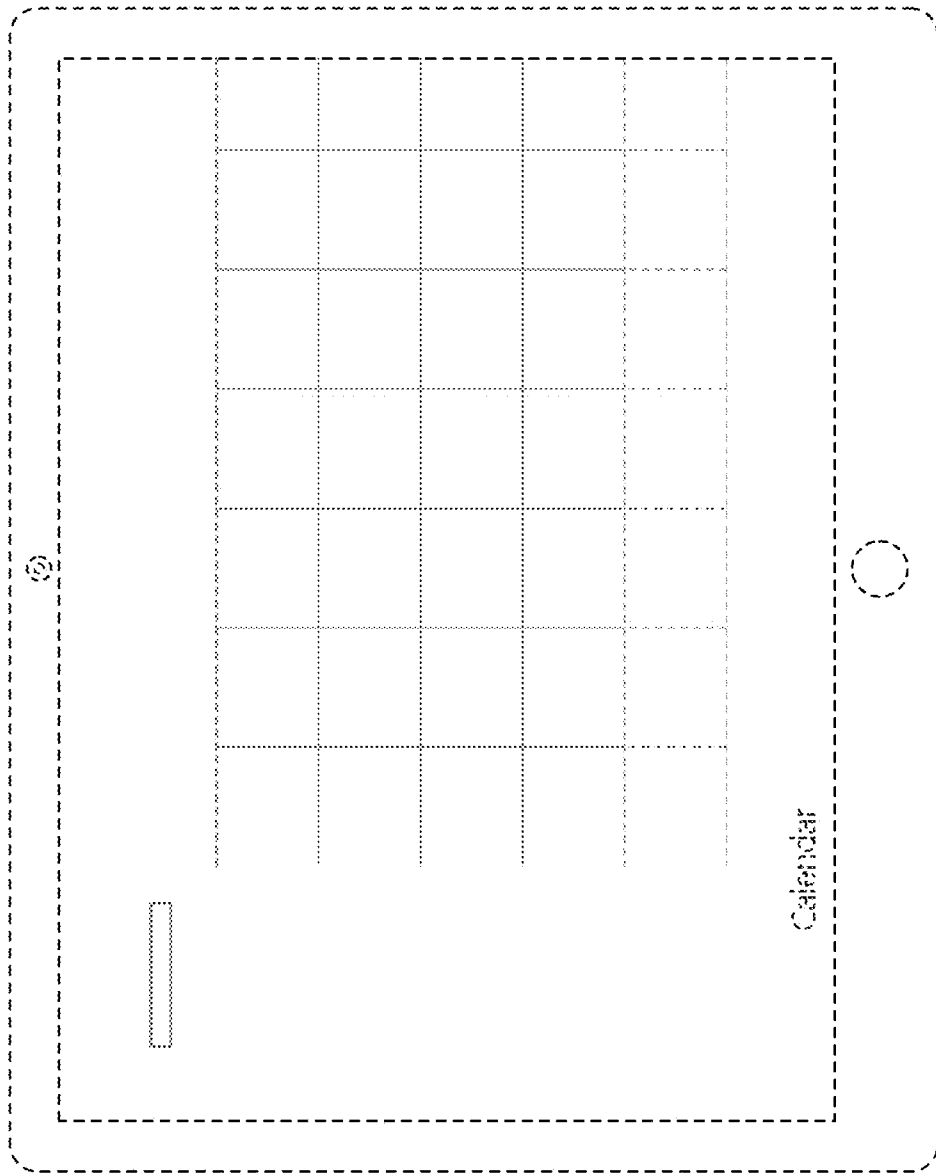
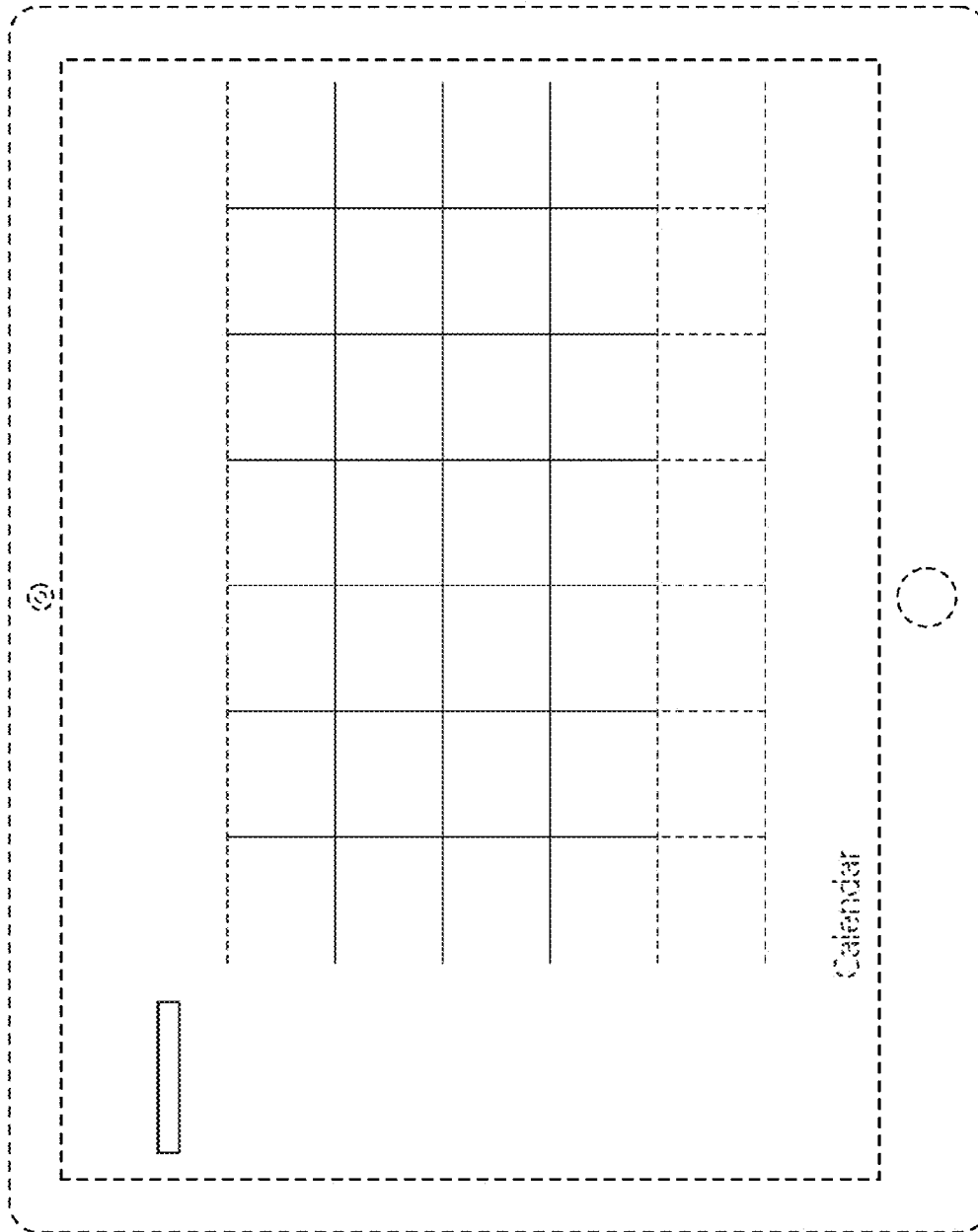


FIG. 8



Calendar