



US00D413187S

# United States Patent [19]

[11] Patent Number: Des. 413,187

Wang et al.

[45] Date of Patent: \*\* Aug. 24, 1999

[54] UPRIGHT VACUUM CLEANER

[75] Inventors: **Chieh-Chun Wang; Chia-Ming Lin,**  
both of Taichung, Taiwan

[73] Assignee: **Kinergy Industrial Co., Ltd.,**  
Taichung, Taiwan

[\*\*] Term: **14 Years**

D. 347,500	5/1994	Abe et al.	.....	D32/22
D. 354,379	1/1995	Shinozaki	.....	D32/22
D. 371,652	7/1996	Umbach	.....	D32/22
D. 398,098	6/1997	Mchaffey et al.	.....	D32/22
D. 403,477	6/1997	Tsujimoto et al.	.....	D32/22
D. 403,480	10/1997	Diebel	.....	D32/22

*Primary Examiner*—Ruth McInroy  
*Attorney, Agent, or Firm*—Dougherty & Troxell

[21] Appl. No.: **29/085,267**

[22] Filed: **Mar. 19, 1998**

## [57] CLAIM

The ornamental design for an upright vacuum cleaner, as shown.

[51] LOC (6) Cl. .... **15-05**

[52] U.S. Cl. .... **D32/22**

[58] Field of Search ..... D32/17, 18, 21-22,  
D32/31-34; 15/320-323, 329, 335, 344,  
347, 350-351, 352, 361, 410, 412

## DESCRIPTION

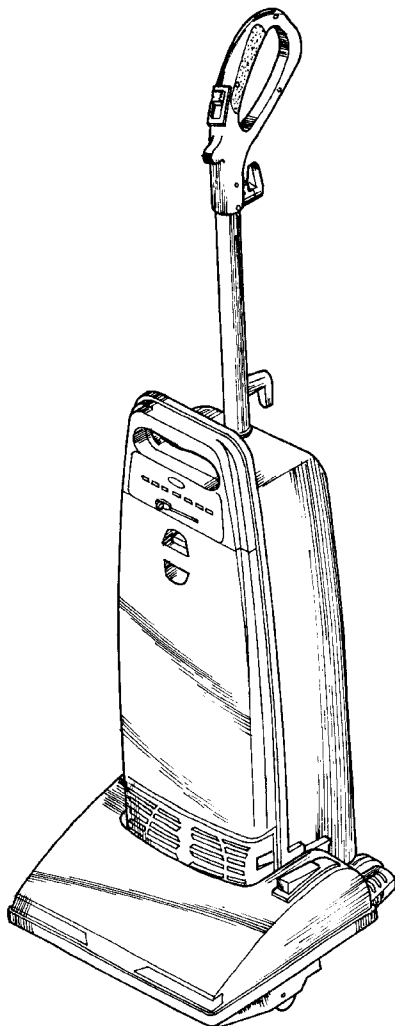
FIG. 1 is a perspective view of an upright vacuum cleaner showing our new design;  
FIG. 2 is a front elevation view thereof;  
FIG. 3 is a rear view thereof;  
FIG. 4 is a left side view thereof;  
FIG. 5 is a right side view thereof;  
FIG. 6 is a top view thereof; and,  
FIG. 7 is a bottom view thereof.

[56] **References Cited**

U.S. PATENT DOCUMENTS

D. 314,847	2/1991	Shouji et al.	.....	D32/22
D. 315,042	2/1991	Ikeda	.....	D32/22
D. 342,591	12/1993	Shoji et al.	.....	D32/22

**1 Claim, 4 Drawing Sheets**



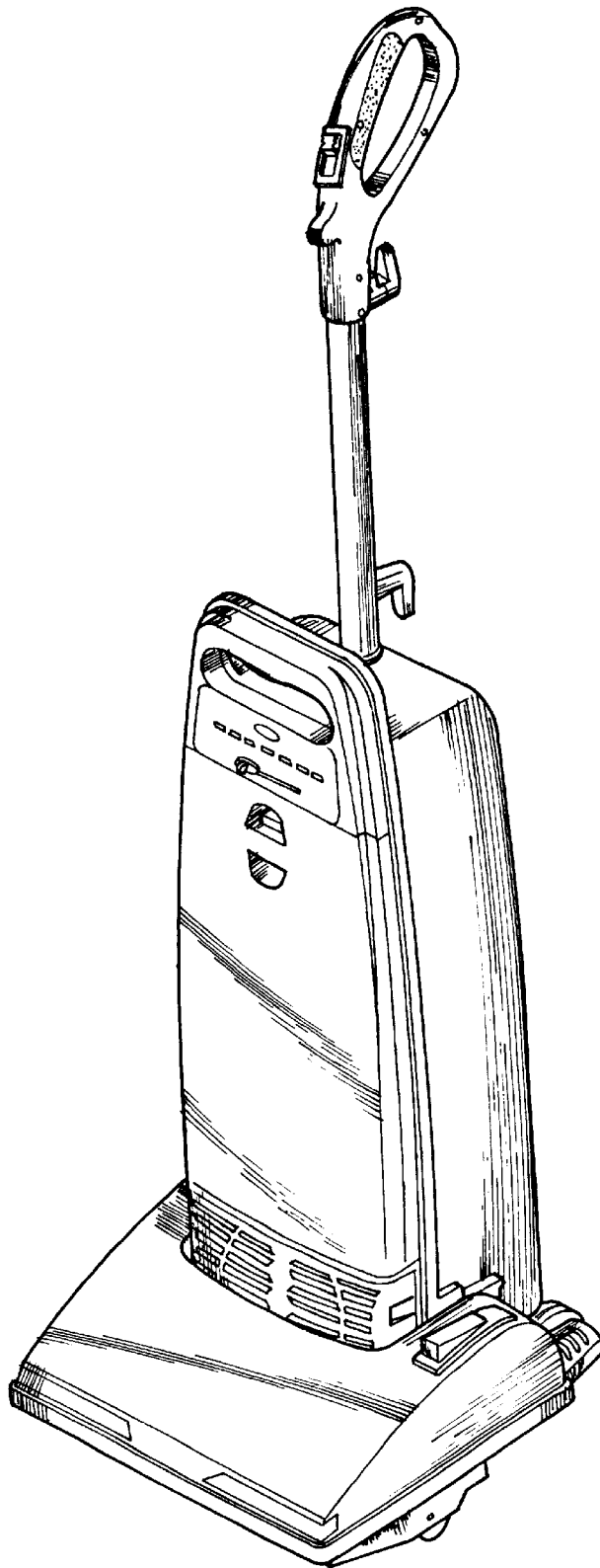


FIG. 1

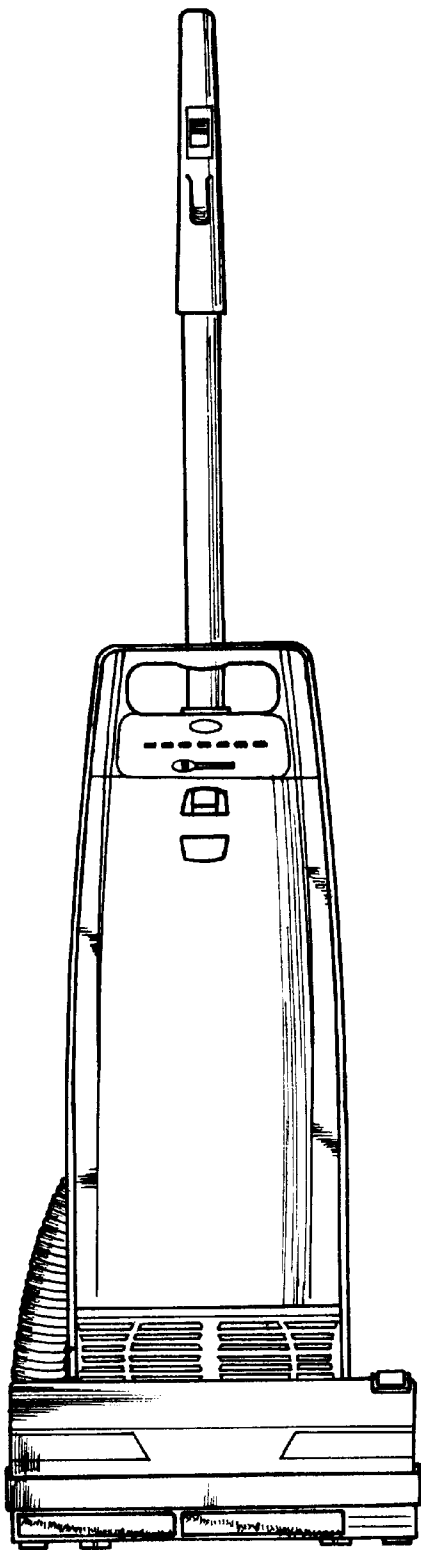


FIG. 2

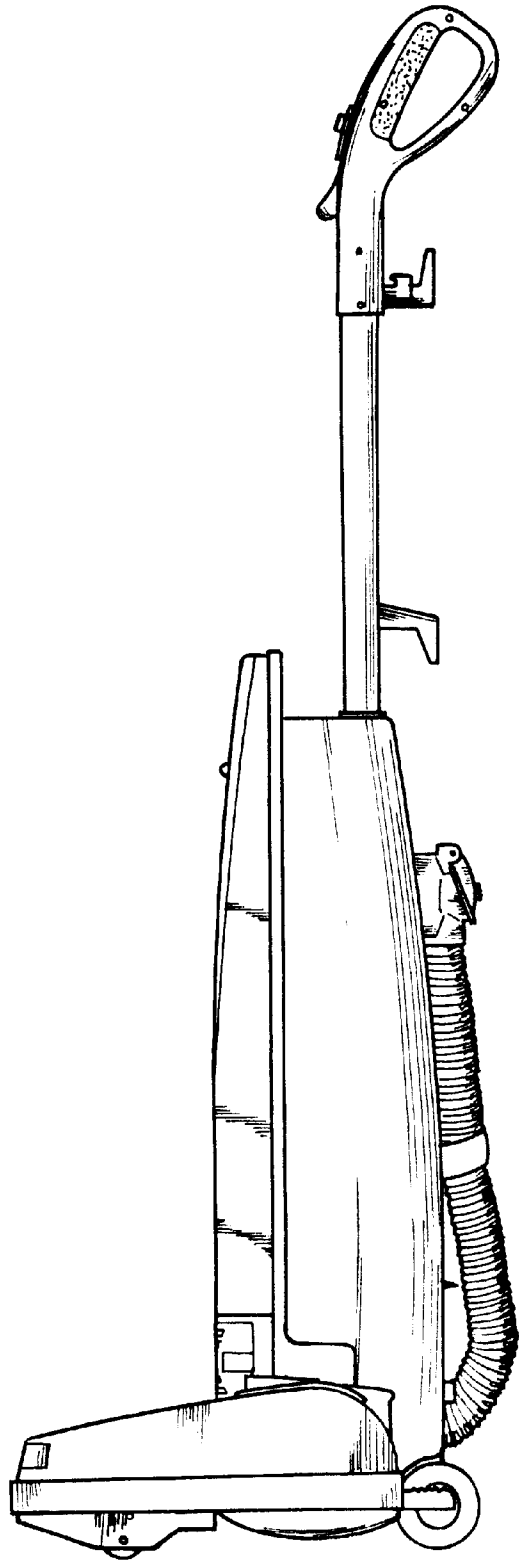


FIG. 5

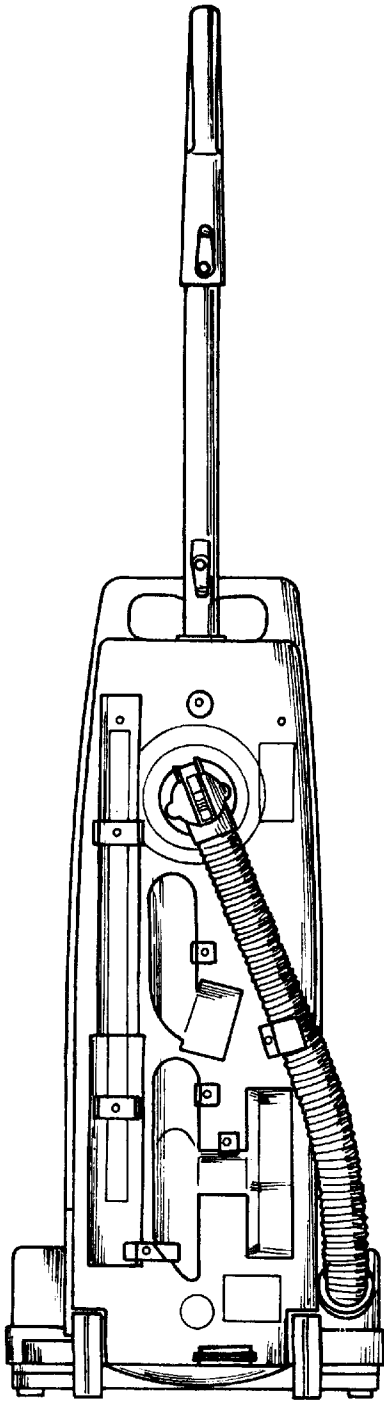


FIG.3

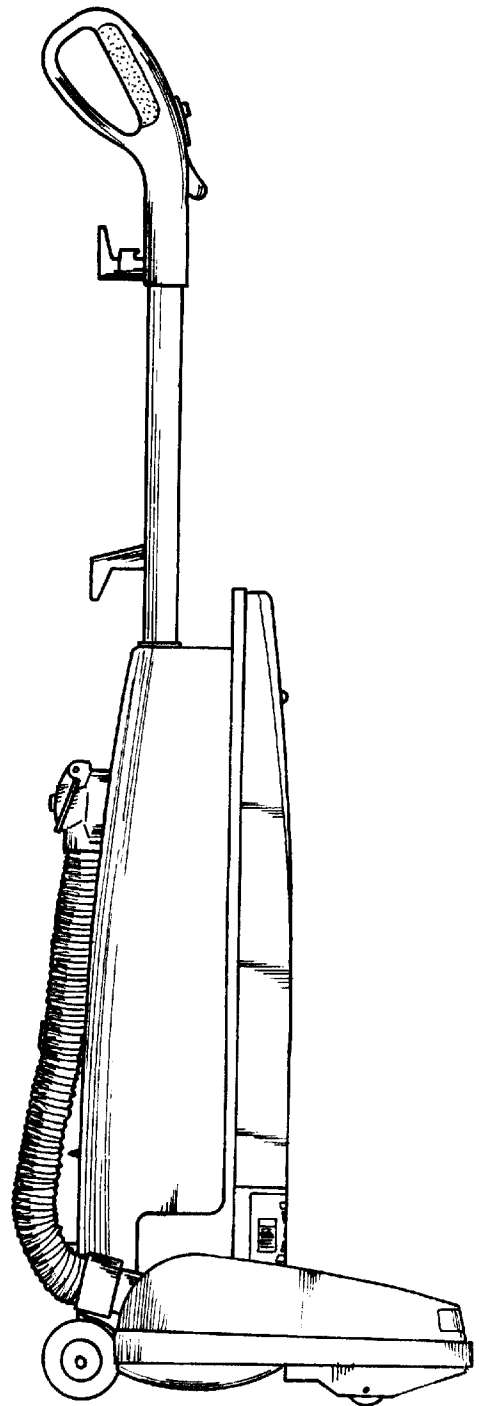


FIG.4

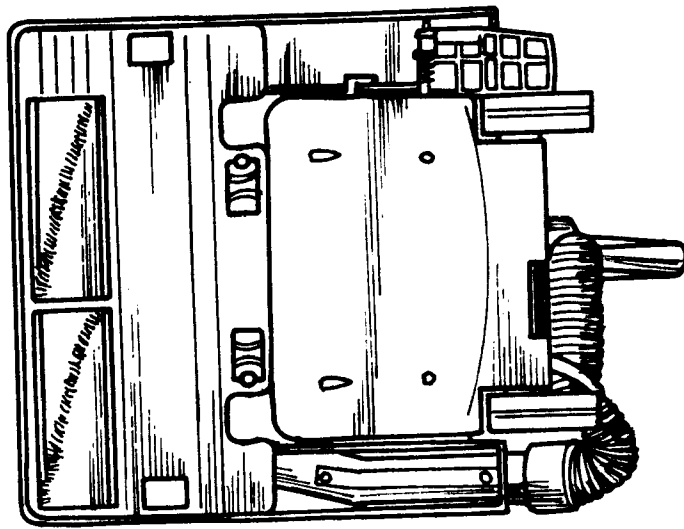


FIG. 7

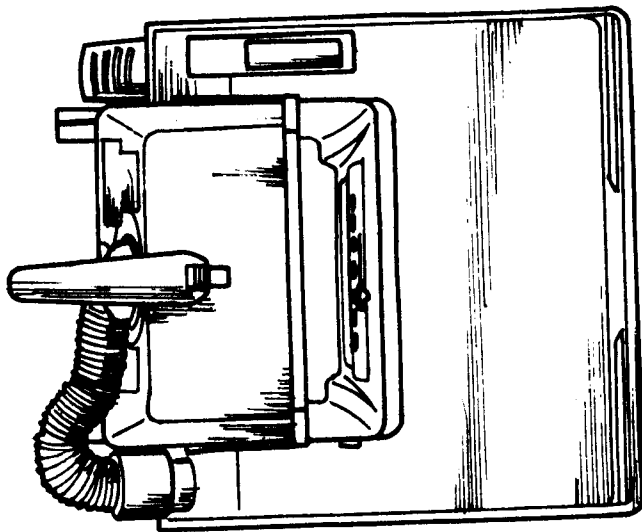


FIG. 6