



US00D643669S

(12) **United States Design Patent**  
**Burgess et al.**

(10) **Patent No.:** **US D643,669 S**

(45) **Date of Patent:** **\*\* \*Aug. 23, 2011**

(54) **COOLER**

(75) Inventors: **Roddy Burgess**, Charlotte, NC (US);  
**Ian Cunningham**, Huntersville, NC  
(US); **Thomas E. Hanna**, Huntersville,  
NC (US); **Robert J. Warner, Jr.**,  
Charlotte, NC (US)

(73) Assignee: **Rubbermaid Incorporated**,  
Huntersville, NC (US)

(\* ) Notice: This patent is subject to a terminal dis-  
claimer.

(\*\*) Term: **14 Years**

(21) Appl. No.: **29/361,330**

(22) Filed: **May 10, 2010**

**Related U.S. Application Data**

(63) Continuation of application No. 29/351,819, filed on  
Dec. 11, 2009, now abandoned.

(51) **LOC (9) Cl.** ..... **07-01**

(52) **U.S. Cl.** ..... **D7/313; D7/306; D7/608**

(58) **Field of Classification Search** ..... D7/313,  
D7/306-311, 312, 300, 603-608; 99/291,  
99/316; 222/153.03, 146.1, 146.6, 129.1;  
215/12.1, 13.1; 220/592.2, 592.16, 23.88  
See application file for complete search history.

(56) **References Cited**

**U.S. PATENT DOCUMENTS**

|            |   |         |             |       |        |
|------------|---|---------|-------------|-------|--------|
| D210,307 S | * | 2/1968  | Branscom    | ..... | D7/313 |
| D321,457 S |   | 11/1991 | Kahl        |       |        |
| D324,154 S |   | 2/1992  | Embree      |       |        |
| D325,323 S |   | 4/1992  | Kahl        |       |        |
| D325,324 S |   | 4/1992  | Kahl        |       |        |
| D325,853 S |   | 5/1992  | Kahl        |       |        |
| D337,232 S |   | 7/1993  | Kahl        |       |        |
| D340,167 S |   | 10/1993 | Kahl        |       |        |
| D344,657 S | * | 3/1994  | Knopp       | ..... | D7/313 |
| D349,628 S |   | 8/1994  | Kahl et al. |       |        |
| D352,208 S |   | 11/1994 | Brookshire  |       |        |

|            |   |         |                    |       |        |
|------------|---|---------|--------------------|-------|--------|
| D354,419 S |   | 1/1995  | Kahl et al.        |       |        |
| D366,599 S |   | 1/1996  | Brown et al.       |       |        |
| D370,159 S |   | 5/1996  | Fenton et al.      |       |        |
| D385,158 S |   | 10/1997 | Rausch             |       |        |
| D391,450 S | * | 3/1998  | Rausch             | ..... | D7/605 |
| D397,585 S |   | 9/1998  | Rausch et al.      |       |        |
| D399,706 S |   | 10/1998 | Paletti et al.     |       |        |
| D407,609 S |   | 4/1999  | Rausch             |       |        |
| D419,822 S | * | 2/2000  | Woodyard           | ..... | D7/313 |
| D420,860 S |   | 2/2000  | Golichowski et al. |       |        |
| D489,932 S | * | 5/2004  | Picozza et al.     | ..... | D7/313 |
| D518,335 S | * | 4/2006  | Naft et al.        | ..... | D7/608 |

(Continued)

**OTHER PUBLICATIONS**

[http://www.rubbermaid.com/Category/Pages/ProductDetail.aspx?CatName=Coolers&SubcatId=WaterCoolers&Prod\\_ID=RP091235](http://www.rubbermaid.com/Category/Pages/ProductDetail.aspx?CatName=Coolers&SubcatId=WaterCoolers&Prod_ID=RP091235).

(Continued)

*Primary Examiner* — Marianne Pandozzi

(74) *Attorney, Agent, or Firm* — Dennis J. Williamson;  
Moore & Van Allen, PLLC

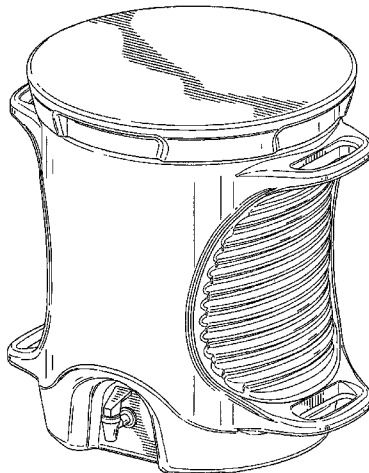
(57) **CLAIM**

The ornamental design for a cooler, as shown and described.

**DESCRIPTION**

FIG. 1 is a front perspective view showing our new design for a cooler;  
FIG. 2 is a front view showing our new design shown in FIG. 1;  
FIG. 3 is a right side view showing our new design shown in FIG. 1, the left side view being a mirror image thereof;  
FIG. 4 is a back view showing our new design shown in FIG. 1;  
FIG. 5 is a back perspective view showing our new design shown in FIG. 1;  
FIG. 6 is a top view showing our new design shown in FIG. 1; and,  
FIG. 7 is a bottom plan view showing our new design shown in FIG. 1.

**1 Claim, 7 Drawing Sheets**



U.S. PATENT DOCUMENTS

|          |   |   |         |                |       |        |
|----------|---|---|---------|----------------|-------|--------|
| D530,141 | S | * | 10/2006 | Wilgus et al.  | ..... | D7/313 |
| D570,148 | S | * | 6/2008  | Garman         | ..... | D7/306 |
| D593,354 | S | * | 6/2009  | Romandy        | ..... | D7/306 |
| D602,301 | S | * | 10/2009 | Romandy        | ..... | D7/306 |
| D609,521 | S | * | 2/2010  | Holsinger      | ..... | D7/313 |
| D613,561 | S |   | 4/2010  | Burgess et al. |       |        |
| D613,562 | S |   | 4/2010  | Burgess et al. |       |        |
| D613,563 | S |   | 4/2010  | Burgess et al. |       |        |

OTHER PUBLICATIONS

Rubbermaid; 3 Gal Water Cooler; [http://www.rubbermaid.com/rubbermaid/product/product.jhtml? prodId=HPProd150113](http://www.rubbermaid.com/rubbermaid/product/product.jhtml?prodId=HPProd150113); 1 page.  
Rubbermaid; 5 Gal Water Cooler; [http://www.rubbermaid.com/rubbermaid/product/product.jhtml? prodId=HPProd150114](http://www.rubbermaid.com/rubbermaid/product/product.jhtml?prodId=HPProd150114); 2 pages.  
Rubbermaid; 7 Gal Water Cooler; [http://www.rubbermaid.com/rubbermaid/product/product.jhtml? prodId=HPProd150116](http://www.rubbermaid.com/rubbermaid/product/product.jhtml?prodId=HPProd150116); 1 page.  
Rubbermaid; 10 Gal Water Cooler; [http://www.rubbermaid.com/rubbermaid/product/product.jhtml? prodId=HPProd150117](http://www.rubbermaid.com/rubbermaid/product/product.jhtml?prodId=HPProd150117); 2 pages.

Rubbermaid; 1 Gal Victory TM Jug; [http://www.rubbermaid.com/rubbermaid/product/product.jhtml? prodId=HPProd150111](http://www.rubbermaid.com/rubbermaid/product/product.jhtml?prodId=HPProd150111); 2 pages.  
Rubbermaid; 2 Gal Victory TM Jug; [http://www.rubbermaid.com/rubbermaid/product/product.jhtml? prodId=HPProd150112](http://www.rubbermaid.com/rubbermaid/product/product.jhtml?prodId=HPProd150112); 2 pages.  
Rubbermaid; .5 Gal Victory TM Jug; [http://www.rubbermaid.com/rubbermaid/product/product.jhtml? prodId=HPProd150110](http://www.rubbermaid.com/rubbermaid/product/product.jhtml?prodId=HPProd150110); 1 page.  
[http://www.rubbermaid.com/Category/Pages/ProductDetail.aspx? CatName=Coolers&SubcatId=WaterCoolers&Prod\\_ID=RP091235](http://www.rubbermaid.com/Category/Pages/ProductDetail.aspx?CatName=Coolers&SubcatId=WaterCoolers&Prod_ID=RP091235).  
Rubbermaid; 3 Gal Water Cooler; [http://www.rubbermaid.com/rubbermaid/product/product.jhtml? prodId=HPProd150113](http://www.rubbermaid.com/rubbermaid/product/product.jhtml?prodId=HPProd150113); 1 page.  
Rubbermaid; 5 Gal Water Cooler; [http://www.rubbermaid.com/rubbermaid/product/product.jhtml? prodId=HPProd150114](http://www.rubbermaid.com/rubbermaid/product/product.jhtml?prodId=HPProd150114); 2 pages.  
Rubbermaid; 7 Gal Water Cooler; [http://www.rubbermaid.com/rubbermaid/product/product.jhtml? prodId=HPProd150116](http://www.rubbermaid.com/rubbermaid/product/product.jhtml?prodId=HPProd150116); 1 page.  
Rubbermaid; 10 Gal Water Cooler; [http://www.rubbermaid.com/rubbermaid/product/product.jhtml? prodId=HPProd150117](http://www.rubbermaid.com/rubbermaid/product/product.jhtml?prodId=HPProd150117); 2 pages.

\* cited by examiner

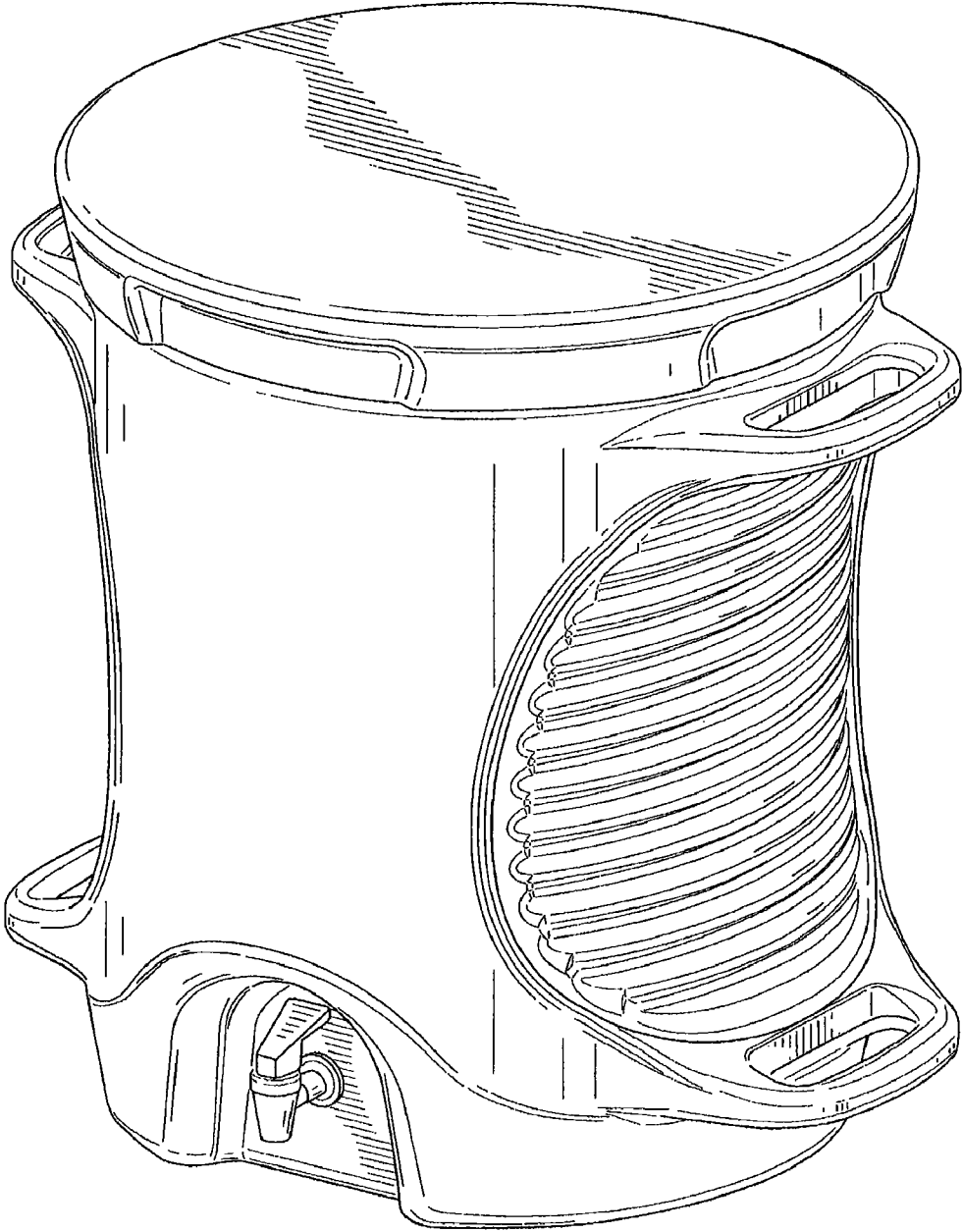


FIG. 1

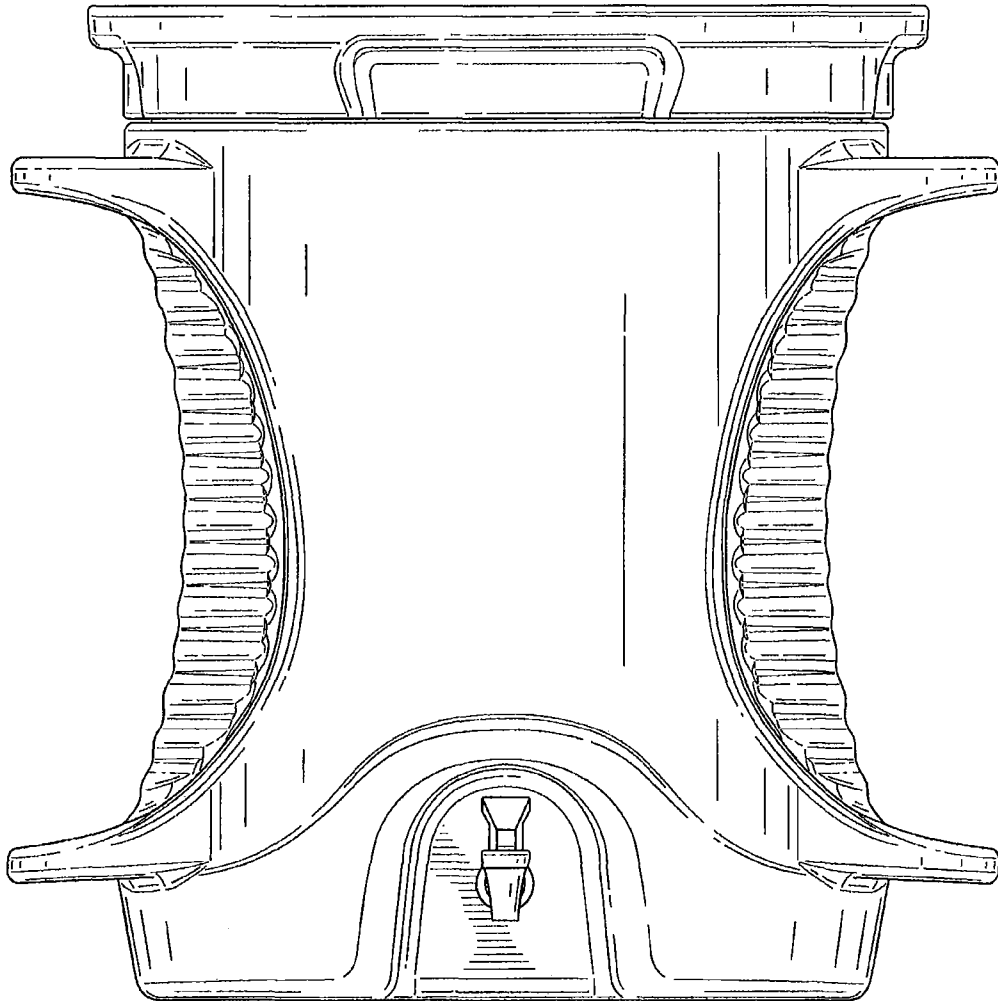


FIG. 2

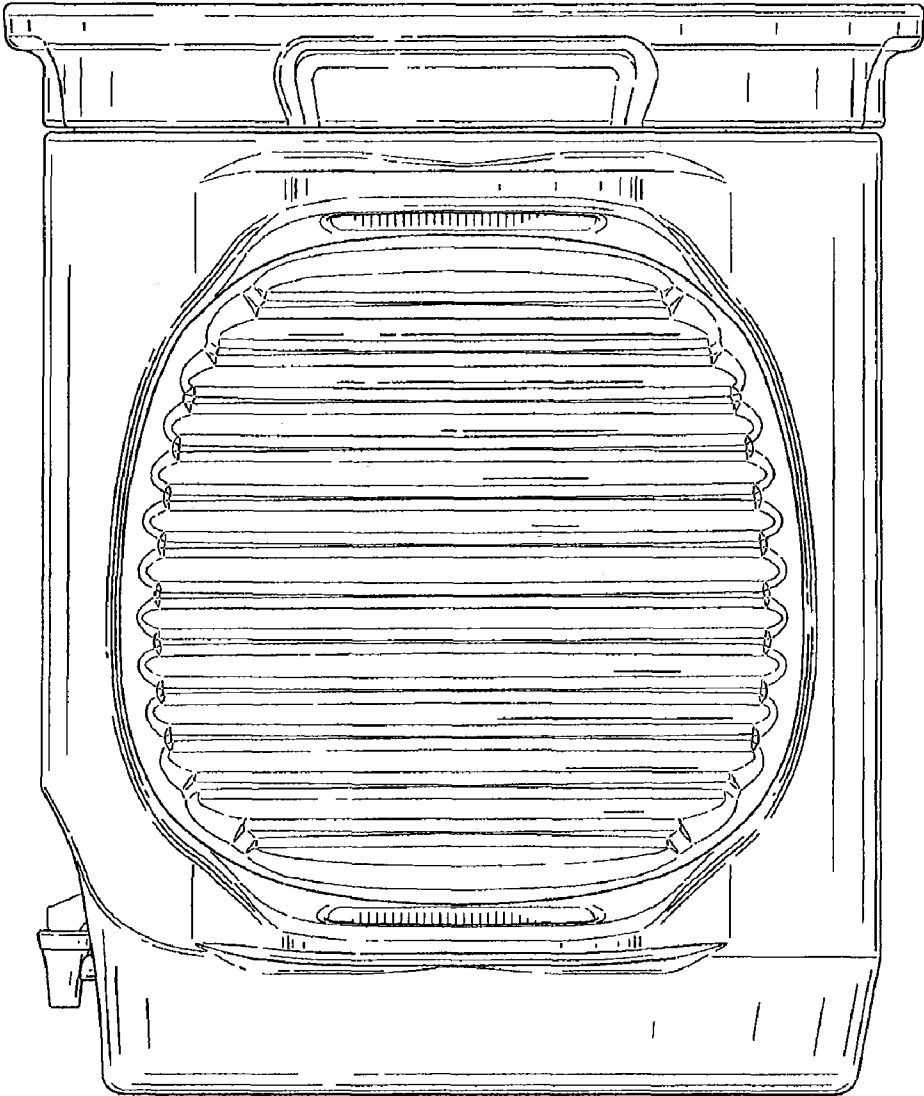


FIG. 3

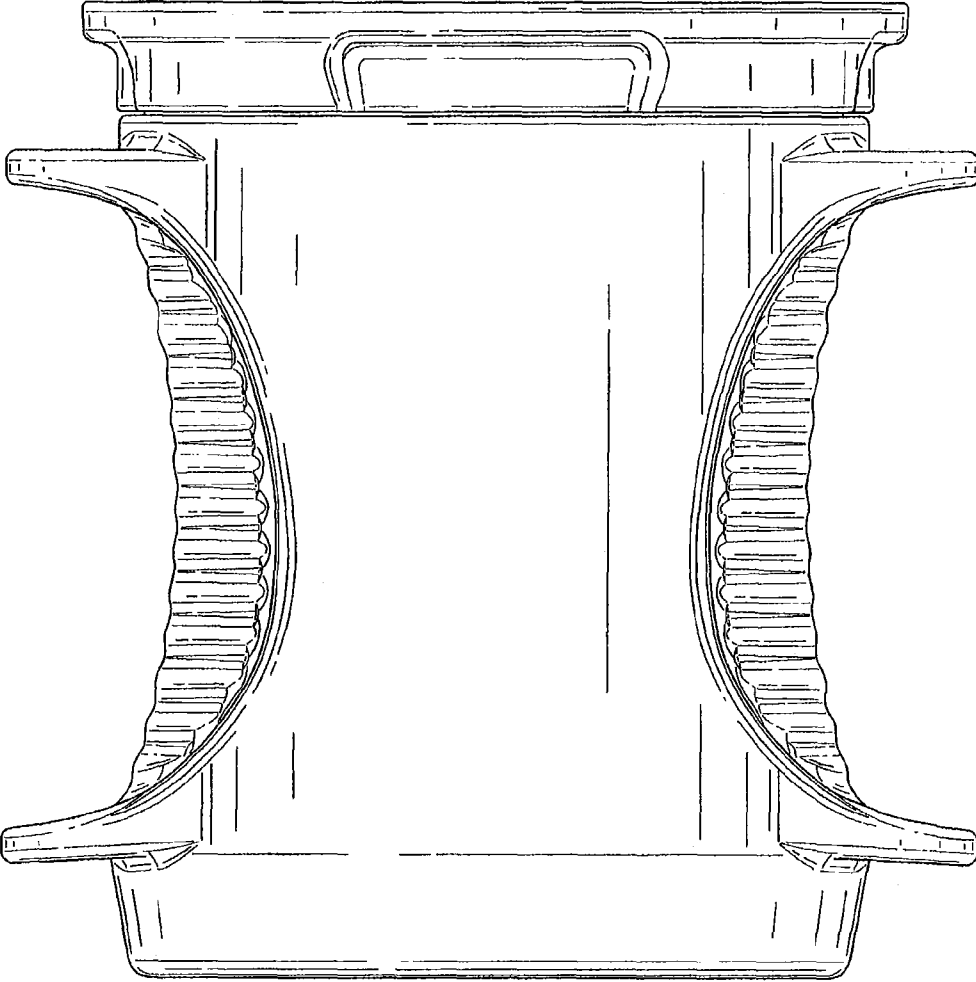


FIG. 4

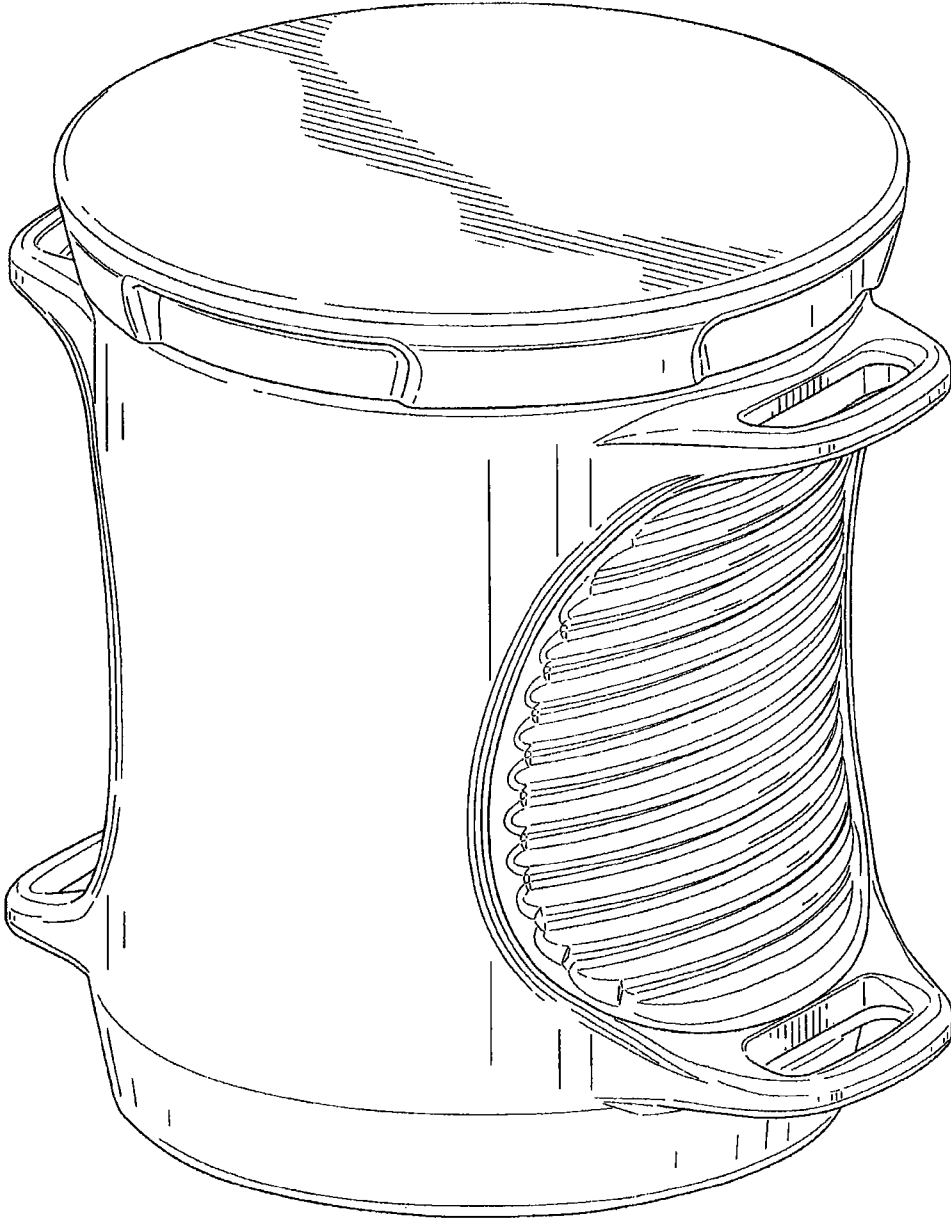


FIG. 5

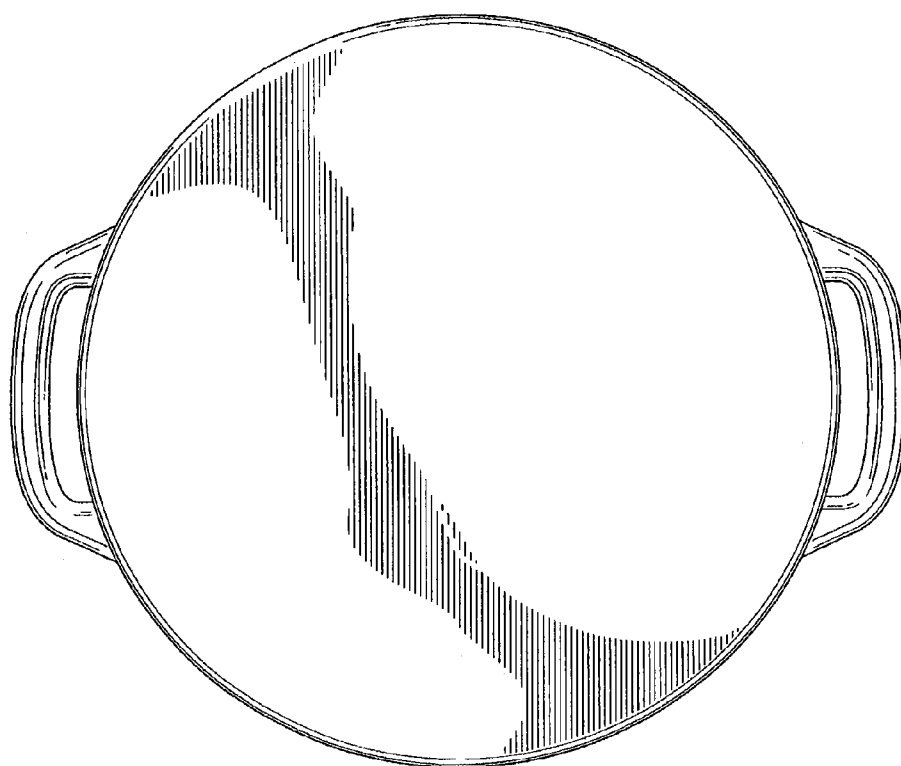


FIG. 6



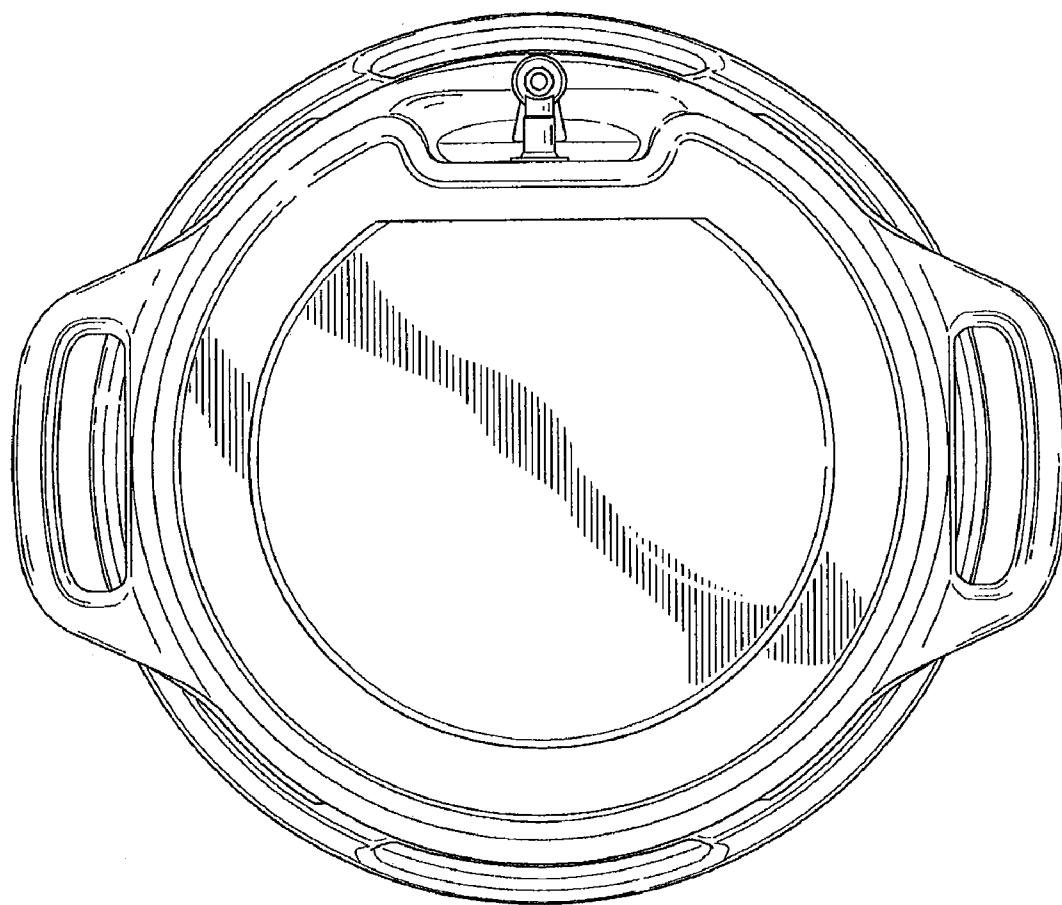


FIG. 7