



US00D497977S1

(12) **United States Design Patent**
Engelbrektsson

(10) **Patent No.:** **US D497,977 S**

(45) **Date of Patent:** **** Nov. 2, 2004**

(54) **SEALING RING MEMBRANE**

(75) **Inventor:** **Anders Engelbrektsson, Herrljunga (SE)**

(73) **Assignee:** **Tour & Andersson AB, Ljung (DE)**

(**) **Term:** **14 Years**

(21) **Appl. No.:** **29/186,455**

(22) **Filed:** **Jul. 16, 2003**

(30) **Foreign Application Priority Data**

Jan. 22, 2003 (NO) 2003 0035

(51) **LOC (7) Cl. 23-01**

(52) **U.S. Cl. D23/269**

(58) **Field of Search D23/269; 285/231, 285/95; 277/910**

(56) **References Cited**

U.S. PATENT DOCUMENTS

D210,826 S * 4/1968 Kaiser et al. D23/260
D351,458 S * 10/1994 Linner D23/260

D425,081 S * 5/2000 Hartmann D15/5
D437,034 S * 1/2001 Stout, Jr. D23/269
D465,061 S * 10/2002 Guthrie D26/138

* cited by examiner

Primary Examiner—Robin V. Taylor

(74) *Attorney, Agent, or Firm*—Davis & Bujold, P.L.L.C.

(57) **CLAIM**

I claim the ornamental design for a sealing ring membrane, as shown and described.

DESCRIPTION

FIG. 1 is a top perspective view of a sealing ring membrane embodying my new design;

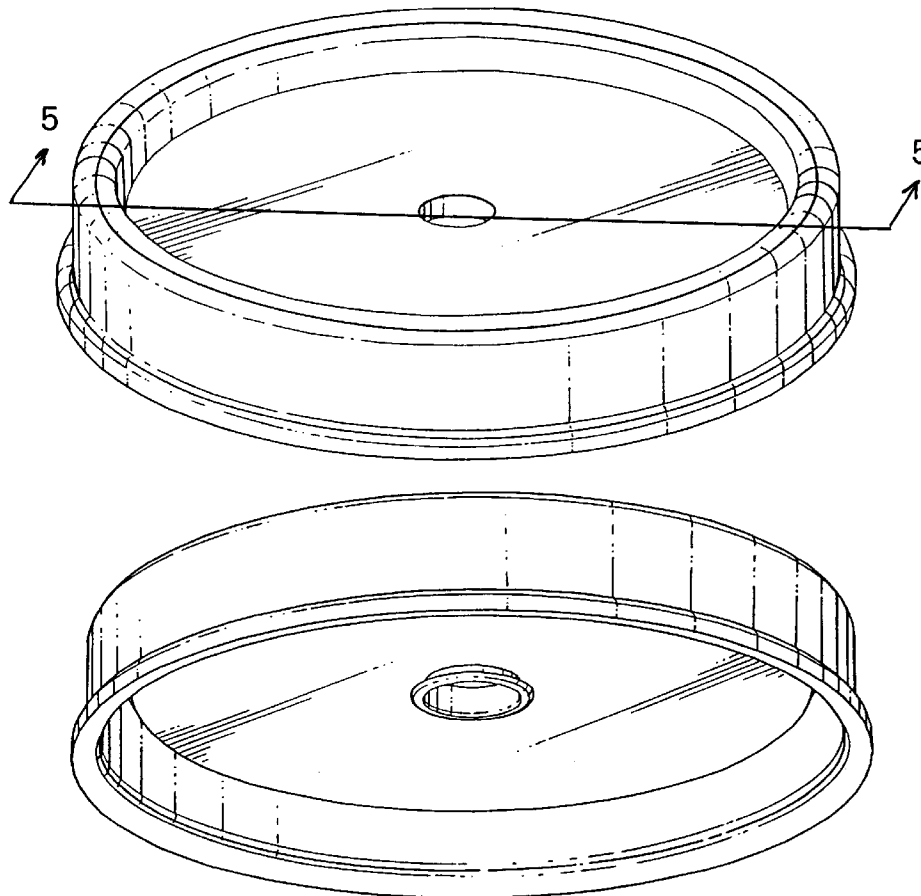
FIG. 2 is a bottom perspective view of the sealing ring membrane embodying my new design;

FIG. 3 is a plan view of the sealing ring membrane embodying my new design;

FIG. 4 is a side elevational view of the sealing ring membrane embodying my new design; and,

FIG. 5 is a cross sectional view of the sealing ring membrane taken alone line 5—5 of FIG. 1.

1 Claim, 3 Drawing Sheets



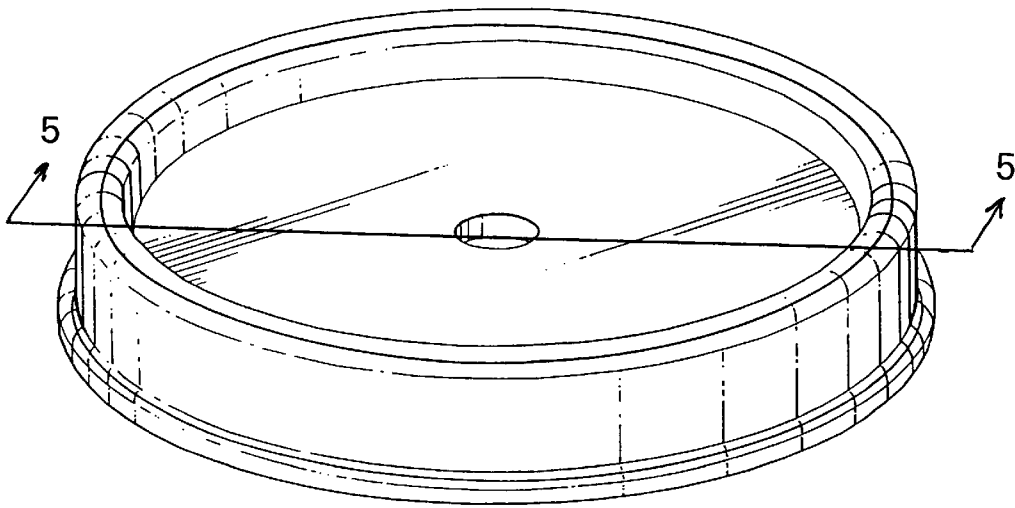


FIG. 1

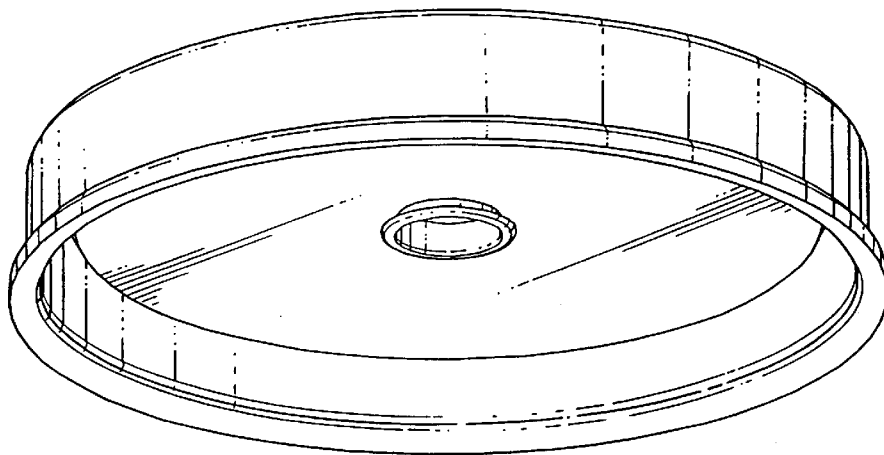


FIG. 2

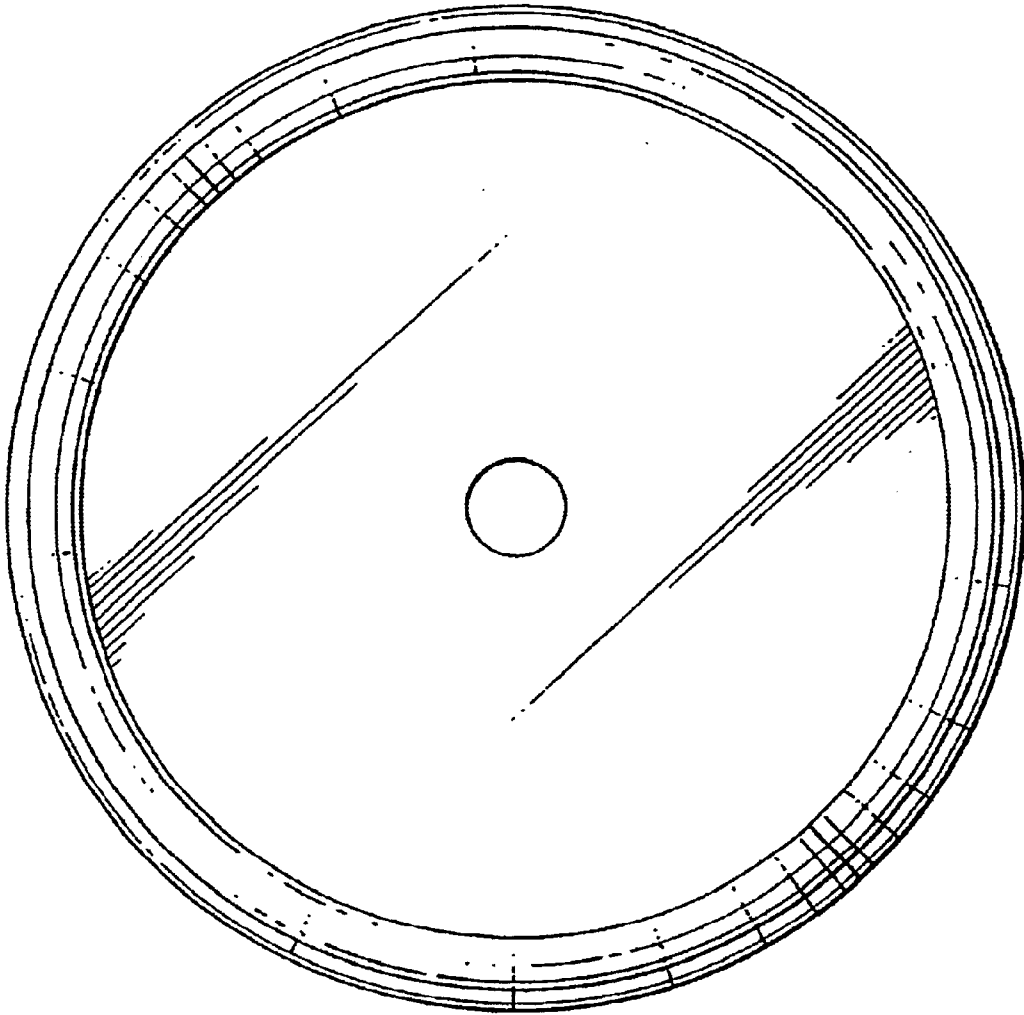


FIG. 3

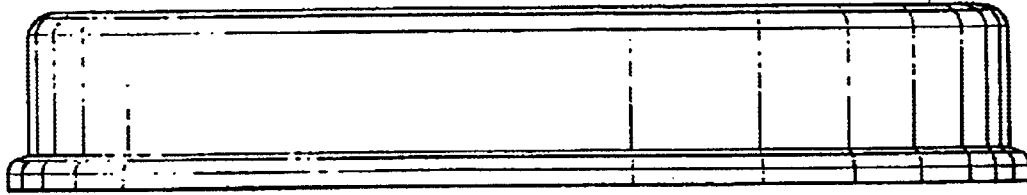


FIG. 4

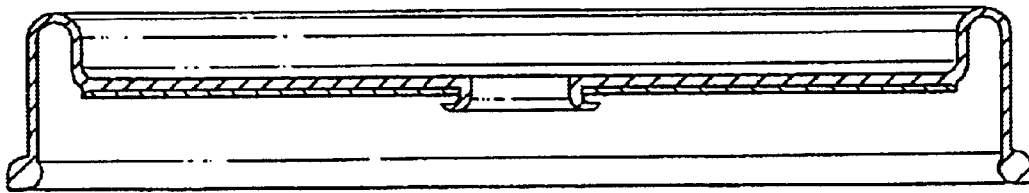


FIG. 5