



US00D420132S

United States Patent [19]

[11] Patent Number: Des. 420,132

Bucholz et al.

[45] Date of Patent: ** Feb. 1, 2000

[54] DRILL GUIDE

[75] Inventors: Richard D. Bucholz, St. Louis, Mo.; Kevin T. Foley, Memphis, Tenn.; Kurt R. Smith, Broomfield, Colo.; Todd Pope, San Francisco; Udo Wiedenmaier, San Mateo, both of Calif.

[73] Assignee: Surgical Navigation Technologies, Broomfield, Colo.

[**] Term: 14 Years

[21] Appl. No.: 29/079,326

[22] Filed: Nov. 3, 1997

Related U.S. Application Data

[63] Continuation of application No. 29/053,746, Apr. 29, 1996, abandoned.

[51] LOC (7) CI. 24-02

[52] U.S. CI. D24/140

[58] Field of Search D24/140, 130, D24/146; D15/132, 138; 606/96, 87, 88, 102, 103

[56] References Cited

U.S. PATENT DOCUMENTS

Table of references cited including patent numbers, dates, names, and classification codes.

Table of references cited including patent numbers, dates, names, and classification codes.

FOREIGN PATENT DOCUMENTS

PCT/US95/12894 4/1996 WIPO.

OTHER PUBLICATIONS

Reinhardt, H. et al., "Sonic Stereometry in Microsurgical Procedures for Deep-Seated Brain Tumors and Vascular Malformations," Neurosurgery, vol. 32, No. 1, Jan., 1993.

Primary Examiner—Stella Reid
Assistant Examiner—I Simmons
Attorney, Agent, or Firm—Finnegan, Henderson, Farabow, Garrett & Dunner

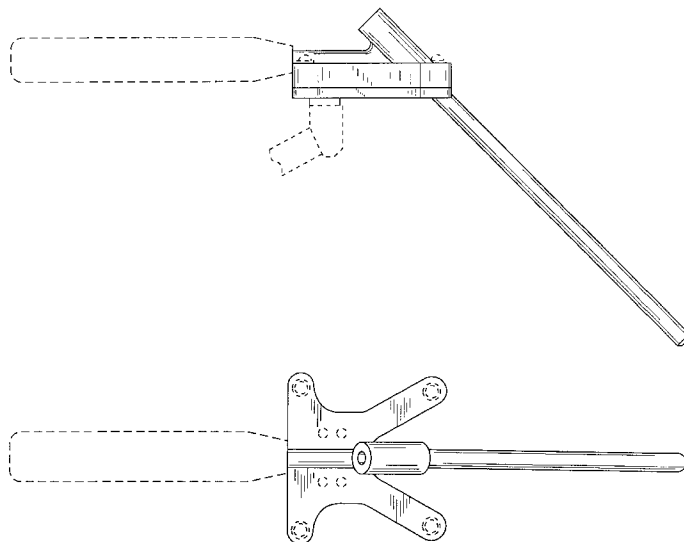
[57] CLAIM

The ornamental design for a drill guide, as shown and described.

DESCRIPTION

FIG. 1 is a side elevational view of a drill guide, showing our new design; FIG. 2 is a top plan view thereof; FIG. 3 is a bottom plan view thereof; FIG. 4 is a front elevational view thereof; and, FIG. 5 is a rear elevational view thereof. The broken line showing in FIGS. 1 through 5 are for illustrative purposes only and forms no part of the claimed design.

1 Claim, 3 Drawing Sheets



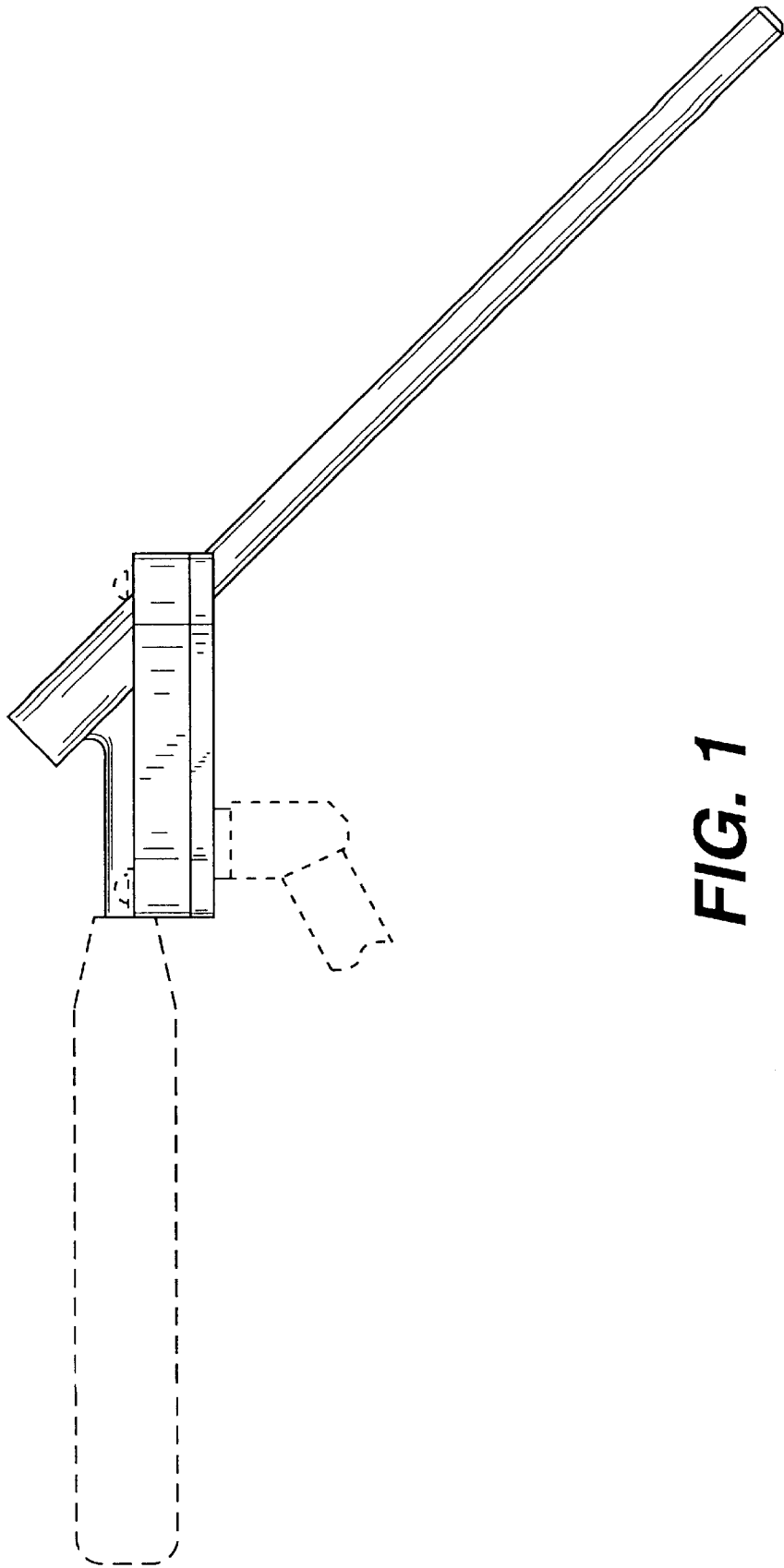


FIG. 1

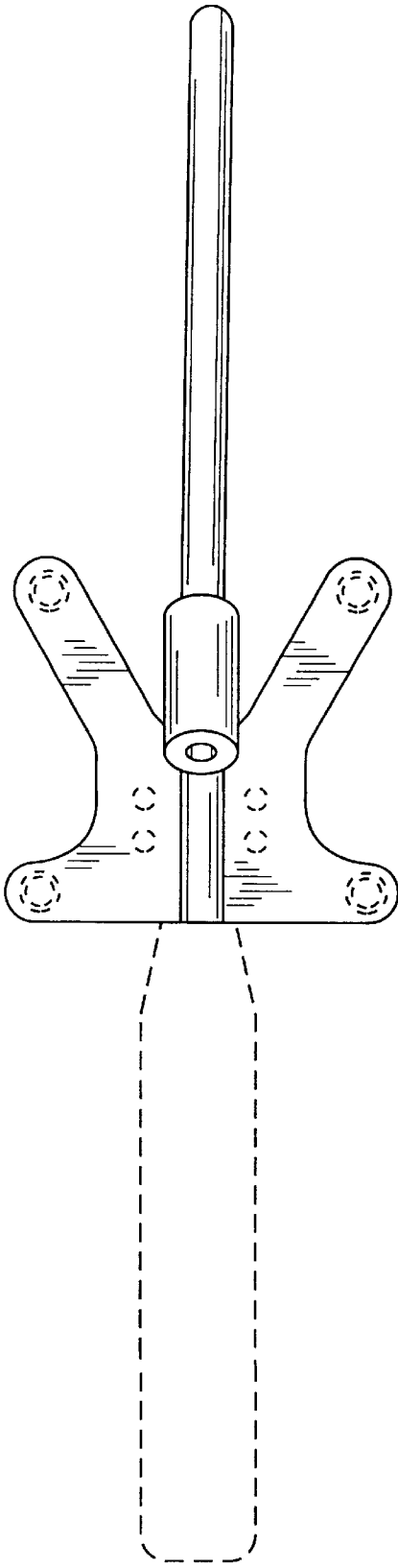


FIG. 2

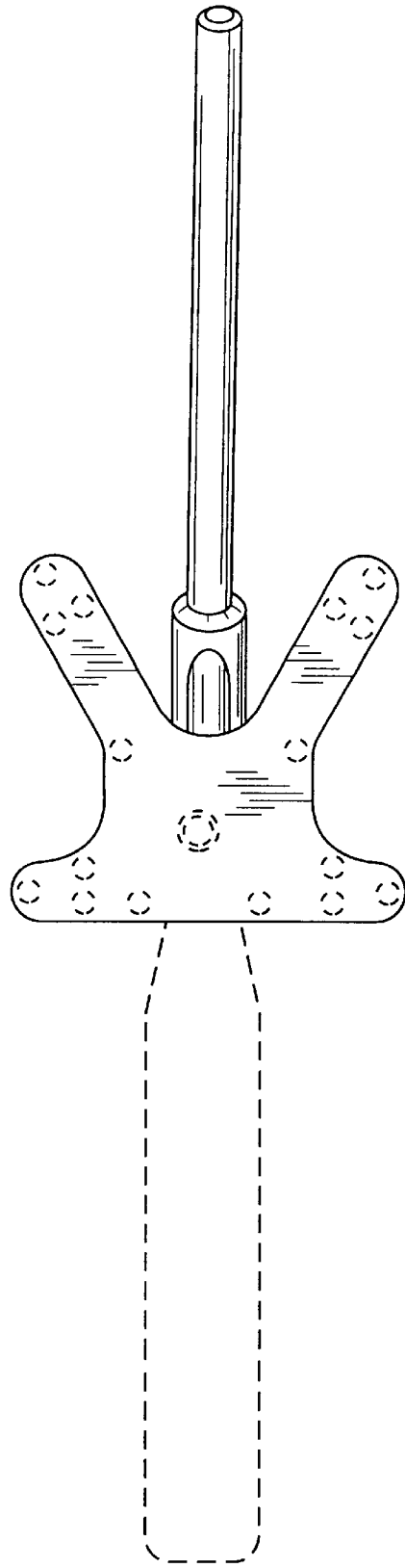


FIG. 3

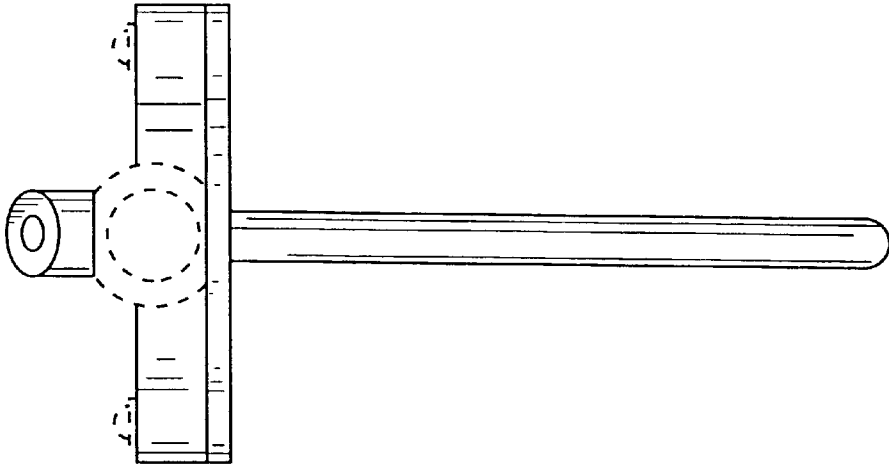


FIG. 5

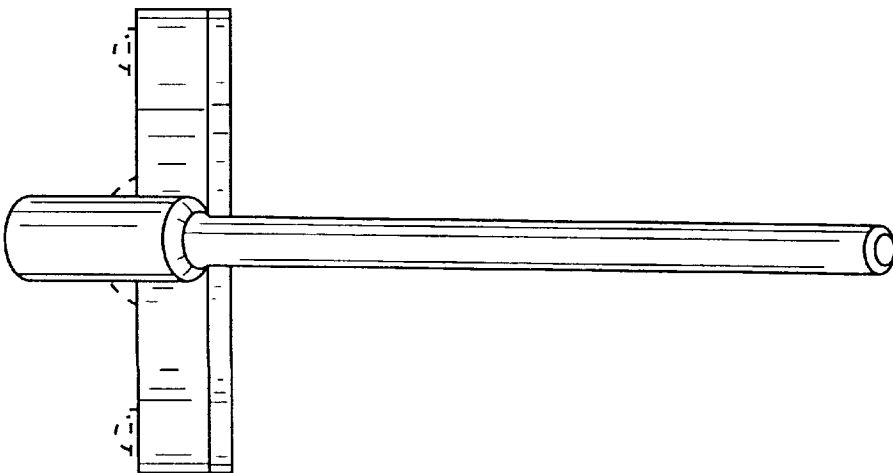


FIG. 4