



US00D974680S

(12) **United States Design Patent**
Li

(10) **Patent No.:** **US D974,680 S**

(45) **Date of Patent:** **** Jan. 3, 2023**

(54) **WASHING MACHINE**

D787,763 S 5/2017 Kim et al.
D817,564 S * 5/2018 Shin D32/6
D940,410 S * 1/2022 Musha D32/6

(71) Applicant: **SHENZHEN YAHU ZHICHUANG TECHNOLOGY CO., LTD.**, Shenzhen (CN)

FOREIGN PATENT DOCUMENTS

(72) Inventor: **Yanan Li**, Suihua (CN)

CN 306840348 * 9/2021
CN 306856226 * 9/2021
CN 306934240 * 11/2021
CN 306934271 * 11/2021

(73) Assignee: **Shenzhen Yahu Zhichuang Technology Co., Ltd.**, Shenzhen (CN)

(Continued)

(**) Term: **15 Years**

OTHER PUBLICATIONS

(21) Appl. No.: **29/786,449**

Pyle Store Portable Mini Washing Machine, available in Amazon.com, date first available Feb. 24, 2021 [online], [site visited Mar. 8, 2021], Available from the internet URL: https://www.amazon.com/Portable-Washing-Machine-Lightweight-Collapsible/dp/B08XDJQ3XC/ref=pd_sbs_4/133-2871813-0152411? (Year: 2021).*

(22) Filed: **Jun. 1, 2021**

(Continued)

(51) **LOC (14) Cl.** **15-05**

(52) **U.S. Cl.**
USPC **D32/6**

(58) **Field of Classification Search**
USPC D32/1, 5, 6, 8, 10, 13, 21, 25, 35;
D21/526

Primary Examiner — Jennifer Rivard
Assistant Examiner — Jennylou M Binas
(74) *Attorney, Agent, or Firm* — Nitin Kaushik

CPC . D06F 1/00; D06F 39/00; D06F 39/12; D06F 2103/24

See application file for complete search history.

(57) **CLAIM**

The ornamental design for a washing machine, as shown and described.

(56) **References Cited**

DESCRIPTION

U.S. PATENT DOCUMENTS

D102,365 S * 12/1936 Goldblatt D32/13
D191,469 S * 10/1961 Lewis D32/5
D202,768 S * 11/1965 Davis et al. D32/21
D468,495 S * 1/2003 Chen D32/1
D469,225 S * 1/2003 Chen D32/1
D472,352 S * 3/2003 Jung D32/1
D516,258 S * 2/2006 Matsusaki D32/1
D520,689 S * 5/2006 Eccardt D32/21
D657,507 S * 4/2012 Dash D32/6
D695,979 S * 12/2013 Lee D32/6
D720,510 S * 12/2014 Shin D32/21
D775,771 S 1/2017 Kim

FIG. 1 is a perspective view of a washing machine showing my new design;

FIG. 2 is a front elevational view thereof;

FIG. 3 is a rear elevational view thereof;

FIG. 4 is a left side elevational view thereof;

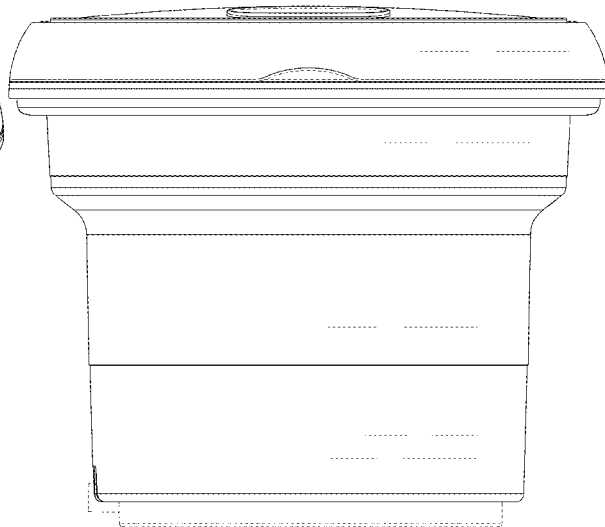
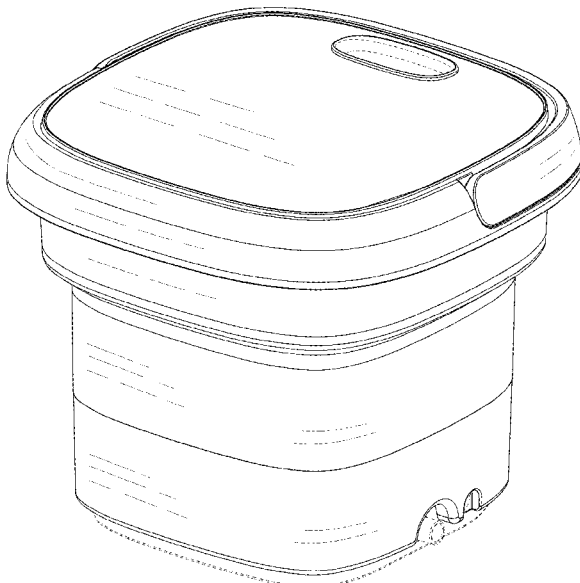
FIG. 5 is a right side elevational view thereof;

FIG. 6 is a top plan view thereof; and,

FIG. 7 is a bottom plan view thereof.

The broken lines in the drawings depict portions of the washing machine that form no part of the claimed design.

1 Claim, 7 Drawing Sheets



(56)

References Cited

FOREIGN PATENT DOCUMENTS

CN 307130258 * 2/2022

OTHER PUBLICATIONS

Ransmile Portable Mini Folding Washing Machine, available in Amazon.com, date first available Nov. 6, 2020 [online],[site visited Mar. 8, 2021], Available from internet URL: https://www.amazon.com/Portable-Folding-Washing-Machine-Spinner%EF%BC%88Blue%EF%BC%89/dp/B08MYYL5MD/ref=pd_sbs_1/133-2871813-0152411 (Year: 2020).*

East doll Store Portable Washing Machine, available in Amazon.com, date first available Aug. 30, 2021 [online], [site visited Mar. 8, 2021], Available from the internet URL: https://www.amazon.com/dp/B09DYGS7J2/ref=cm_sw_r_apan_glt_i_1F26E2YQH79RXREXE344? (Year: 2021).*

X-R-Sport Portable Washing Machine, available in Amazon.com, date first available Jan. 2, 2021 [online], [site visited Mar. 8, 2021], Available from the internet URL: https://www.amazon.com/dp/B08PCM5TFS/ref=cm_sw_r_apan_glt_i_WS1BS64GDVSDHX36MYM8? (Year: 2021).*

* cited by examiner



FIG. 1

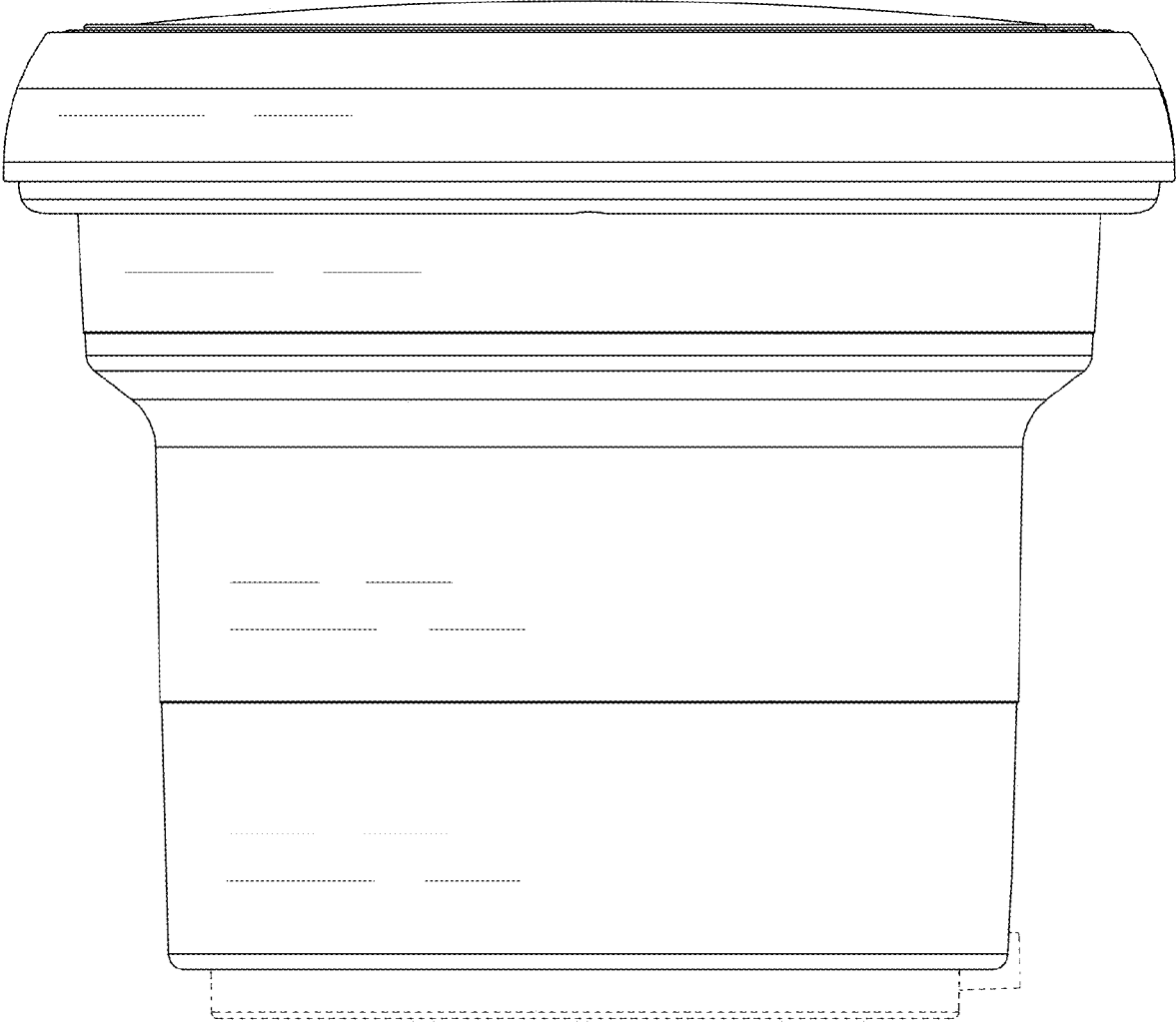


FIG. 2

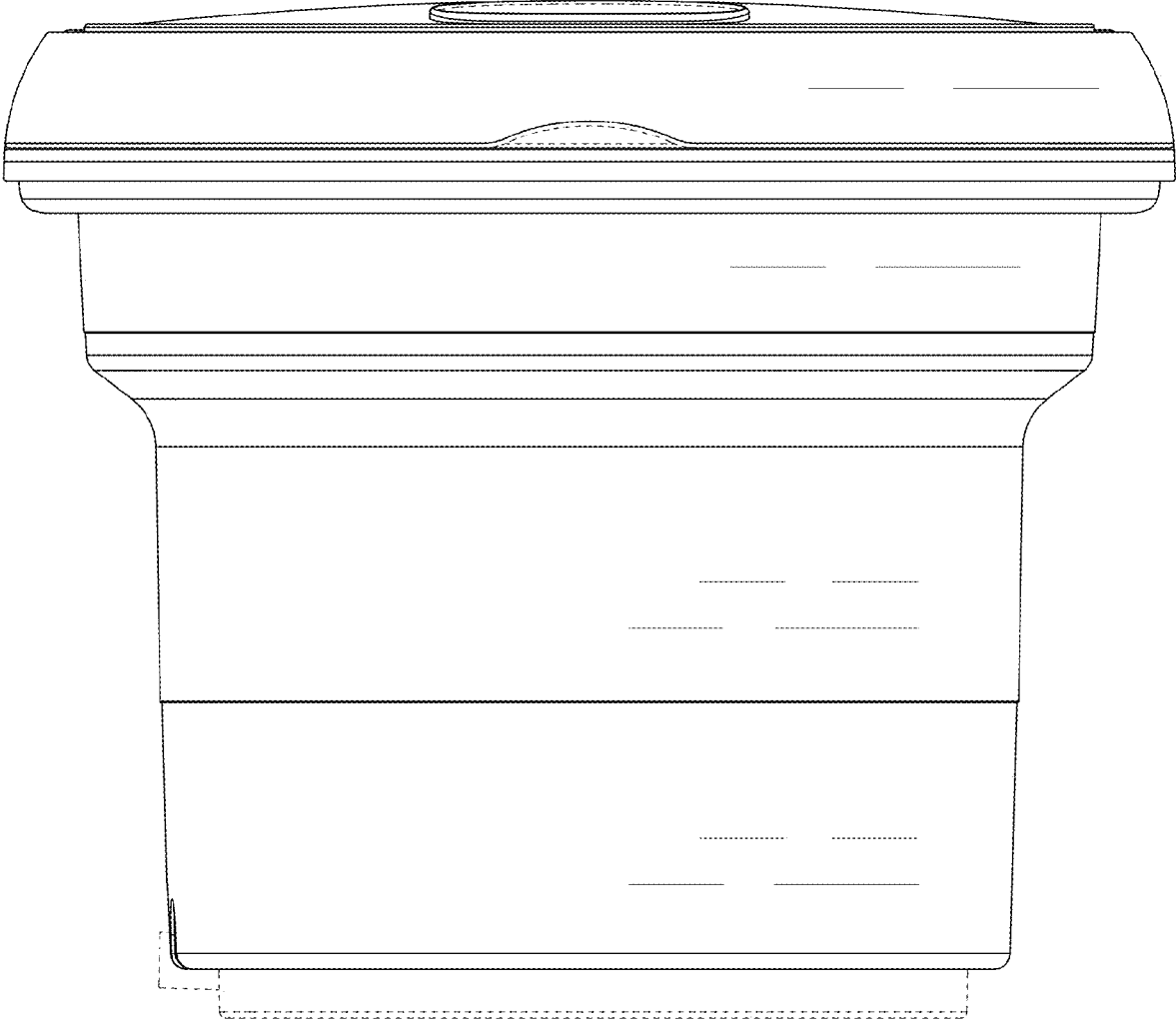


FIG. 3

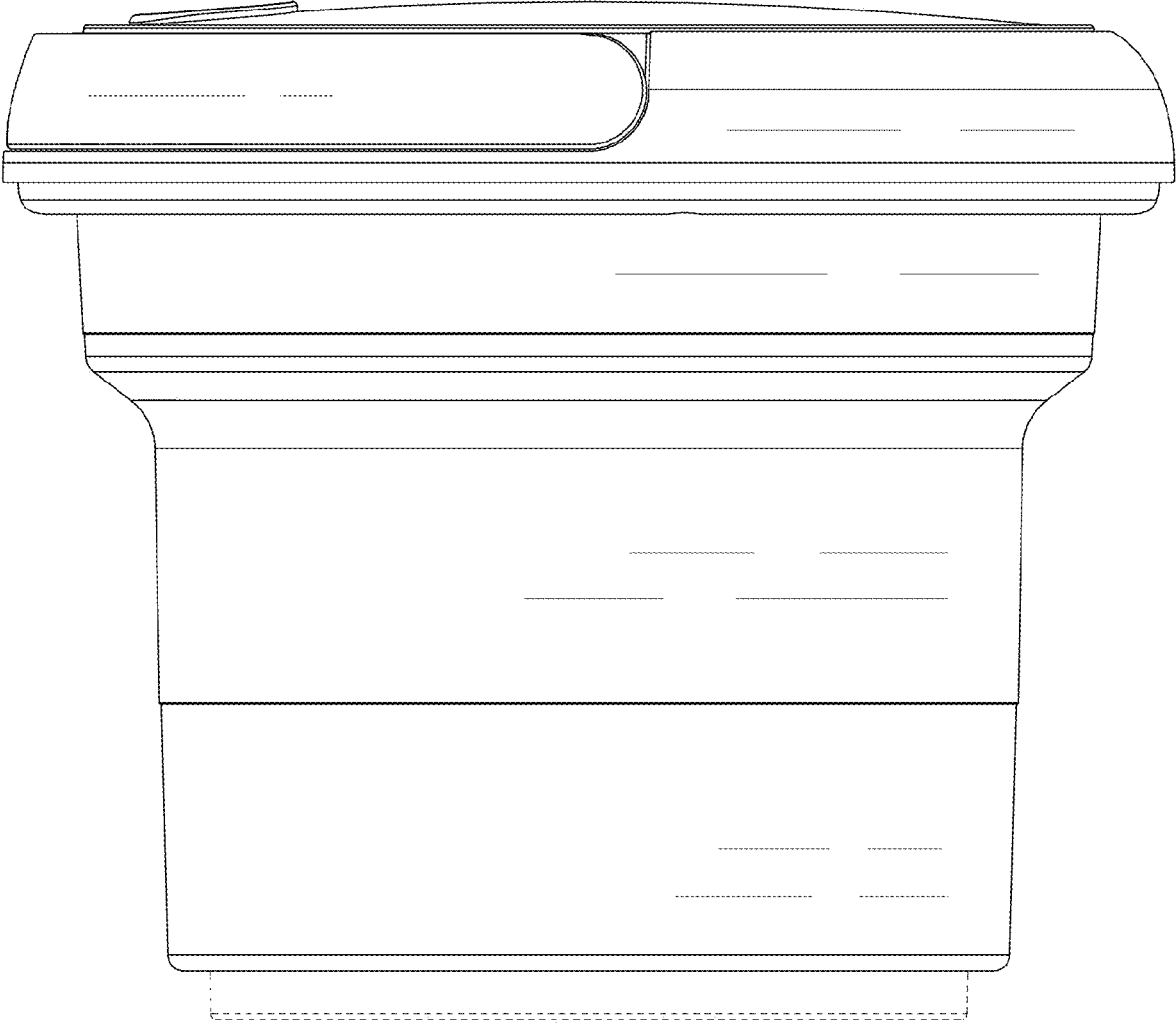


FIG. 4

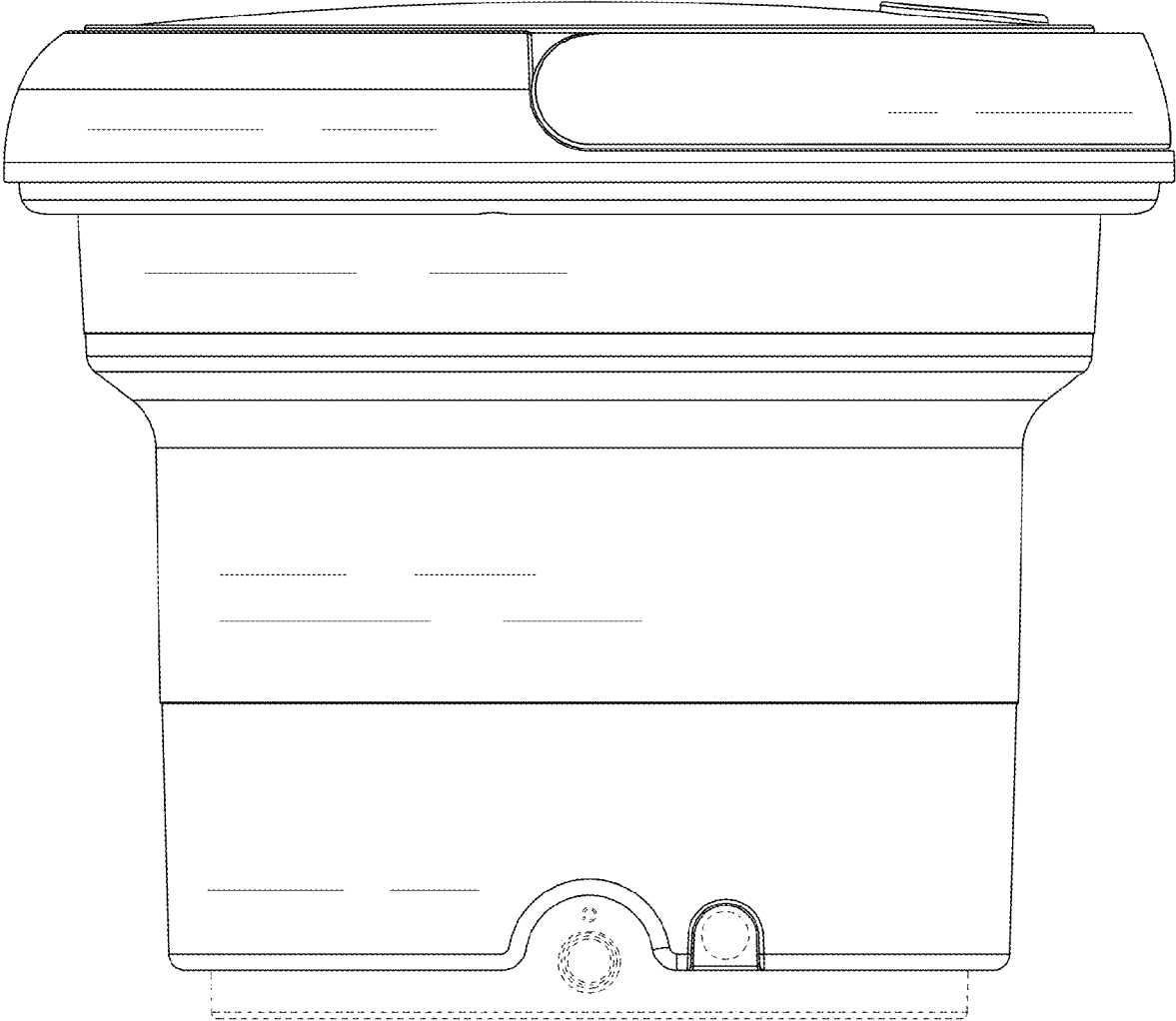


FIG. 5

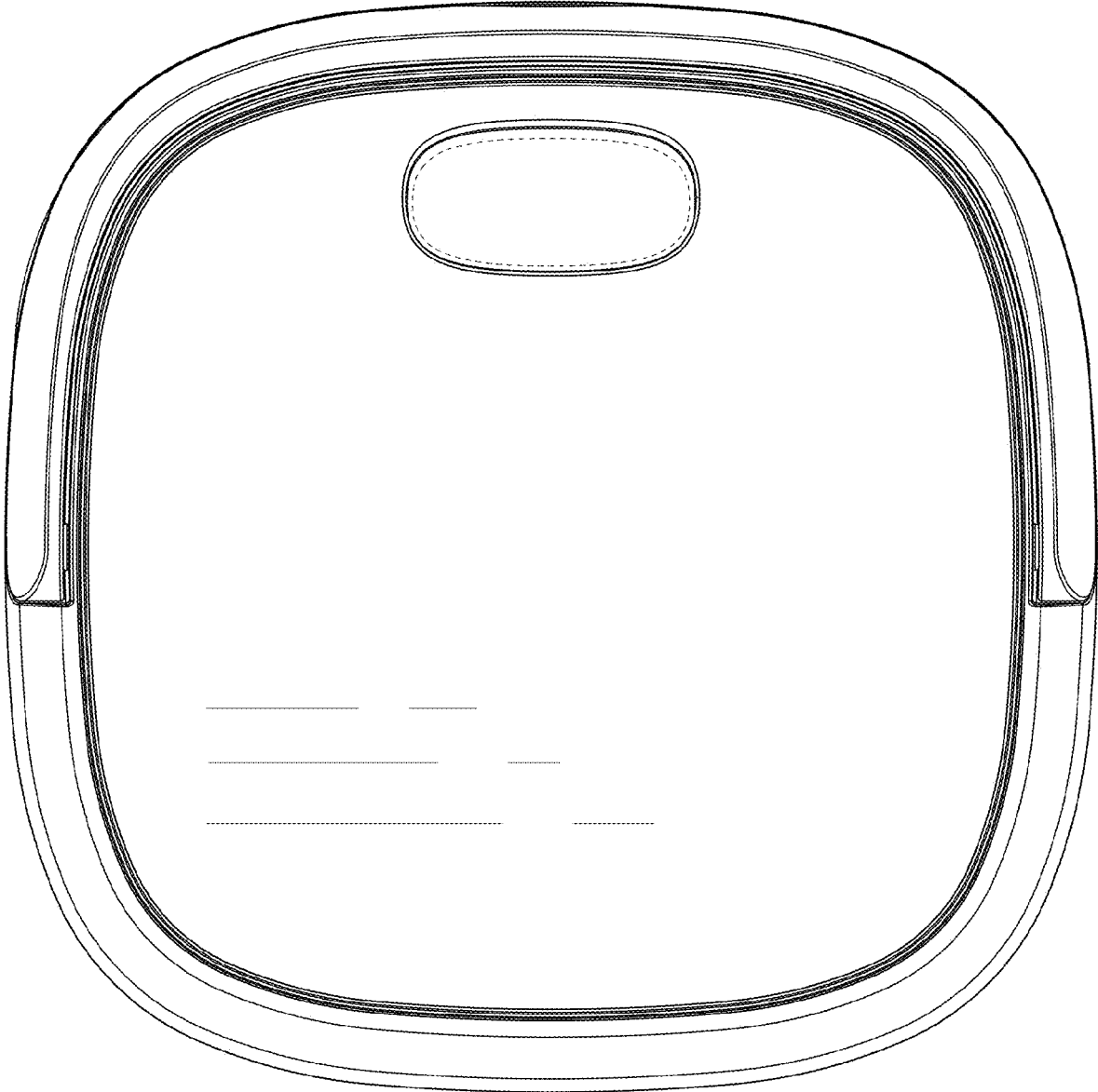


FIG. 6

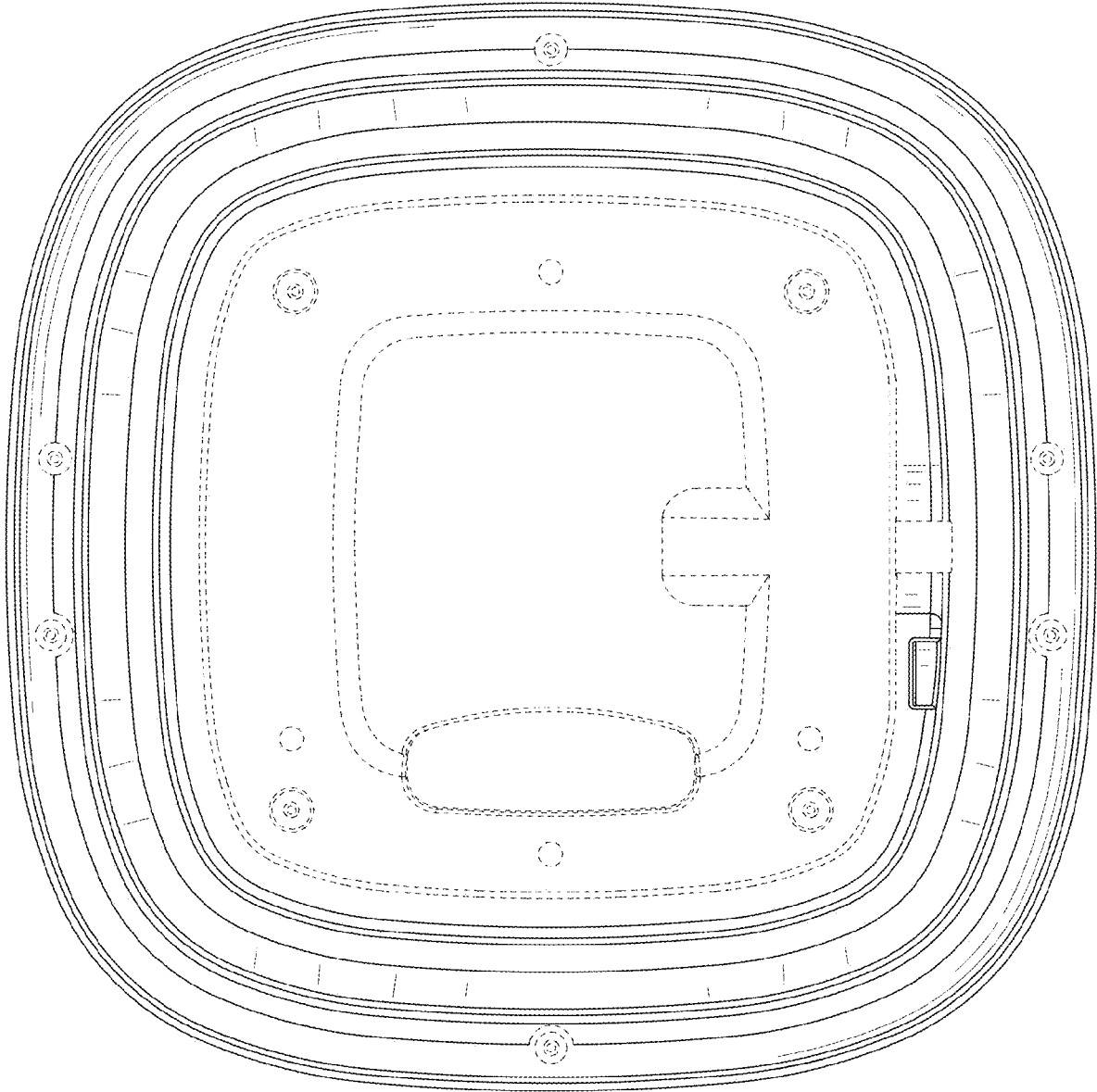


FIG. 7