



US00D820819S

(12) **United States Design Patent**
Kim

(10) **Patent No.:** **US D820,819 S**

(45) **Date of Patent:** **** *Jun. 19, 2018**

(54) **CASE FOR ELECTRONIC DEVICE**

Primary Examiner — Manpreet S Matharu

(71) Applicant: **SPIGEN KOREA CO., LTD.**, Seoul (KR)

Assistant Examiner — Mojtaba Tehrani

(74) *Attorney, Agent, or Firm* — Heedong Chae; Lucem, PC

(72) Inventor: **Dae-Young Kim**, Seoul (KR)

(73) Assignee: **SPIGEN KOREA CO., LTD.**, Seoul (KR)

(57) **CLAIM**

(*) Notice: This patent is subject to a terminal disclaimer.

The ornamental design for a case for electronic device, as shown and described.

(**) Term: **15 Years**

(21) Appl. No.: **29/594,113**

DESCRIPTION

(22) Filed: **Feb. 15, 2017**

Related U.S. Application Data

(63) Continuation of application No. 29/569,939, filed on Jul. 1, 2016, which is a continuation of application (Continued)

FIG. 1 is a front perspective view of a case for electronic device showing my new design;
FIG. 2 is a rear perspective view thereof;
FIG. 3 is a front elevational view thereof;
FIG. 4 is a rear elevational view thereof;
FIG. 5 is a left side elevational view thereof;
FIG. 6 is a right side elevational view thereof;
FIG. 7 is a top plan view thereof;
FIG. 8 is a bottom plan view thereof;
FIG. 9 is a rear perspective view thereof with a support leg extended;
FIG. 10 is an exploded rear perspective view thereof, showing an inner shell, the support leg, and an outer frame;
FIG. 11 is a front perspective view of the inner shell of the case;
FIG. 12 is a rear perspective view of the inner shell of the case;
FIG. 13 is a rear perspective view of the support leg of the case;
FIG. 14 is a front perspective view of the support leg of the case;
FIG. 15 is a front perspective view of the outer frame of the case; and,
FIG. 16 is a rear perspective view of the outer frame of the case.
The broken line in the figure drawings represents unclaimed environment only and forms no part of the claimed design.

(51) **LOC (11) Cl.** **14-03**

(52) **U.S. Cl.**
USPC **D14/250**

(58) **Field of Classification Search**
USPC D14/143, 189, 203.2–203.7, 217, 238.1, D14/240, 248, 250, 251–253, 440, 447, D14/496; D13/103

(Continued)

(56) **References Cited**

U.S. PATENT DOCUMENTS

D539,277 S * 3/2007 Okada D13/103
D542,286 S * 5/2007 Taniyama D13/103

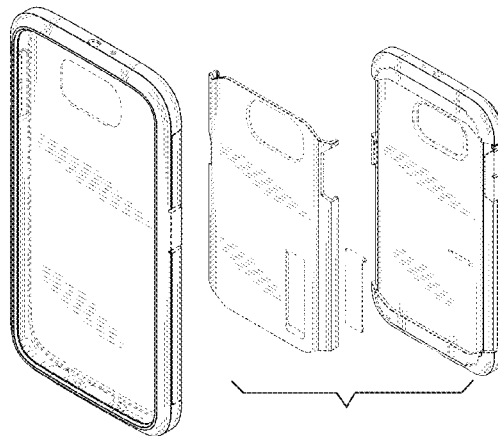
(Continued)

OTHER PUBLICATIONS

<http://www.spigen.com/collections/galaxy-s6/products/galaxy-s6-case-tough-armor?variant=1160710157>—Earliest review date of May 12, 2015.

(Continued)

1 Claim, 16 Drawing Sheets



Related U.S. Application Data

No. 29/518,091, filed on Feb. 19, 2015, now Pat. No. Des. 789,344.

(58) **Field of Classification Search**

CPC A45C 1/06; A45C 11/00; A45C 13/02; A45C 2011/002; A45F 2005/026; A45F 2200/0525; A45F 2200/0516; H04B 1/3888; H04M 1/0283; H04M 1/0202
See application file for complete search history.

(56) **References Cited**

U.S. PATENT DOCUMENTS

D613,761 S 4/2010 Jones
D613,762 S 4/2010 Jones
D613,763 S 4/2010 Jones
D614,668 S 4/2010 Jones
D619,361 S * 7/2010 Andre D3/269
D646,265 S * 10/2011 Fathollahi D14/250
D650,371 S * 12/2011 Wibby D14/238.1
D676,035 S 2/2013 Chang
D677,249 S * 3/2013 Li D14/250
D679,271 S * 4/2013 Liu D13/103
D681,615 S * 5/2013 Fathollahi D14/250
8,517,172 B1 8/2013 Chang
8,706,176 B1 4/2014 Jia
D706,254 S * 6/2014 Chang D14/217
D709,871 S 7/2014 Lee
D721,071 S 1/2015 Nelson
D727,883 S * 4/2015 Brand D14/250
D732,012 S * 6/2015 Tsai D14/250
9,049,283 B1 6/2015 Kim
D749,068 S 2/2016 Zaborski
D749,535 S * 2/2016 Joung D14/138 G
D753,099 S * 4/2016 Kim D14/250
D755,764 S 5/2016 Dong
D755,772 S 5/2016 Sasaki
D756,339 S 5/2016 Tussy
D756,340 S 5/2016 Babichenko
D756,343 S 5/2016 Wall et al.
D756,909 S 5/2016 Gupta
D756,977 S 5/2016 Schriefer
D756,978 S 5/2016 Addonisio
D756,980 S 5/2016 Beeman
D757,703 S 5/2016 Kanazawa
D759,641 S 6/2016 Lai et al.

D759,642 S 6/2016 Chao
D762,633 S 8/2016 Fife
D765,635 S 9/2016 Chang
D765,638 S 9/2016 Gaylord
D765,640 S 9/2016 Bulkley
D768,615 S 10/2016 Wang
9,467,189 B2 10/2016 Day et al.
D771,028 S * 11/2016 Kim D14/250
D771,607 S * 11/2016 Kim D14/250
D772,858 S 11/2016 Hu
9,503,147 B2 11/2016 Witter et al.
D775,620 S * 1/2017 Kim D14/250
D776,648 S * 1/2017 Kim D14/250
D776,649 S * 1/2017 Kim D14/250
D777,156 S * 1/2017 Kim D14/250
9,545,140 B1 1/2017 Johnson et al.
D778,897 S * 2/2017 Kim D14/250
D778,898 S * 2/2017 Kim D14/250
9,628,133 B2 * 4/2017 Kim H04B 1/3888
D786,233 S * 5/2017 Kim D14/250
D786,851 S * 5/2017 Kim D14/250
D786,854 S * 5/2017 Kim D14/250
D787,492 S * 5/2017 Kim D14/250
D788,760 S * 6/2017 Kim D14/250
D789,344 S * 6/2017 Kim D14/250
D791,116 S * 7/2017 Kim D14/250
2011/0050606 A1 * 3/2011 Zhang H04M 1/0202
345/173
2015/0189963 A1 * 7/2015 Lai A45C 13/008
224/191
2015/0335116 A1 11/2015 Kim
2016/0285301 A1 * 9/2016 Kim H02J 7/025
2016/0374443 A1 * 12/2016 Kim A45C 11/182
206/38

OTHER PUBLICATIONS

<http://www.spigen.com/collections/galaxy-s7/products/galaxy-s7-case-tough-armor-1?variant=12163553089>—Product review date of Mar. 8, 2016.
http://www.amazon.com/Spigen%C2%AE-Gunmetal-Extreme-Protection-Protective/dp/B01A7IDNWQ/ref=pd_sim_107_5?ie=UTF8—Earliest review date of Feb. 17, 2016.
<https://www.amazon.com/Spigen-Gunmetal-EXTREME-Protection-Samsung/dp/B00IBUWDV8/>—Available as early as Mar. 9, 2014.

* cited by examiner

FIG. 1

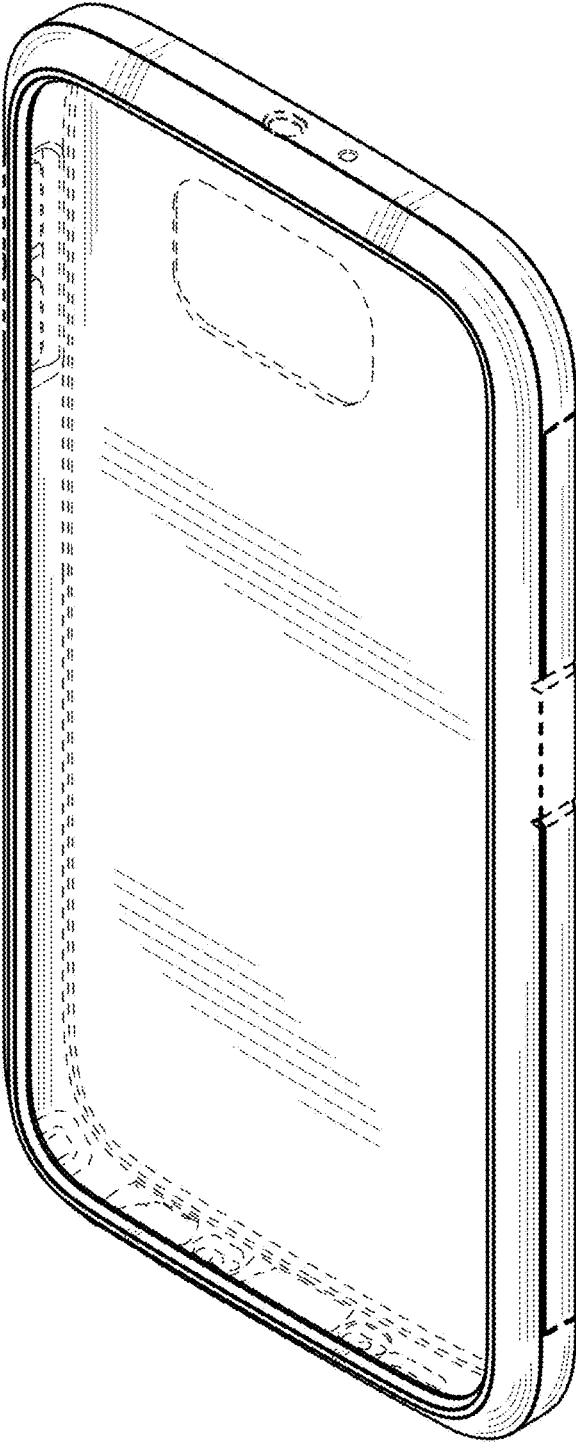


FIG. 2

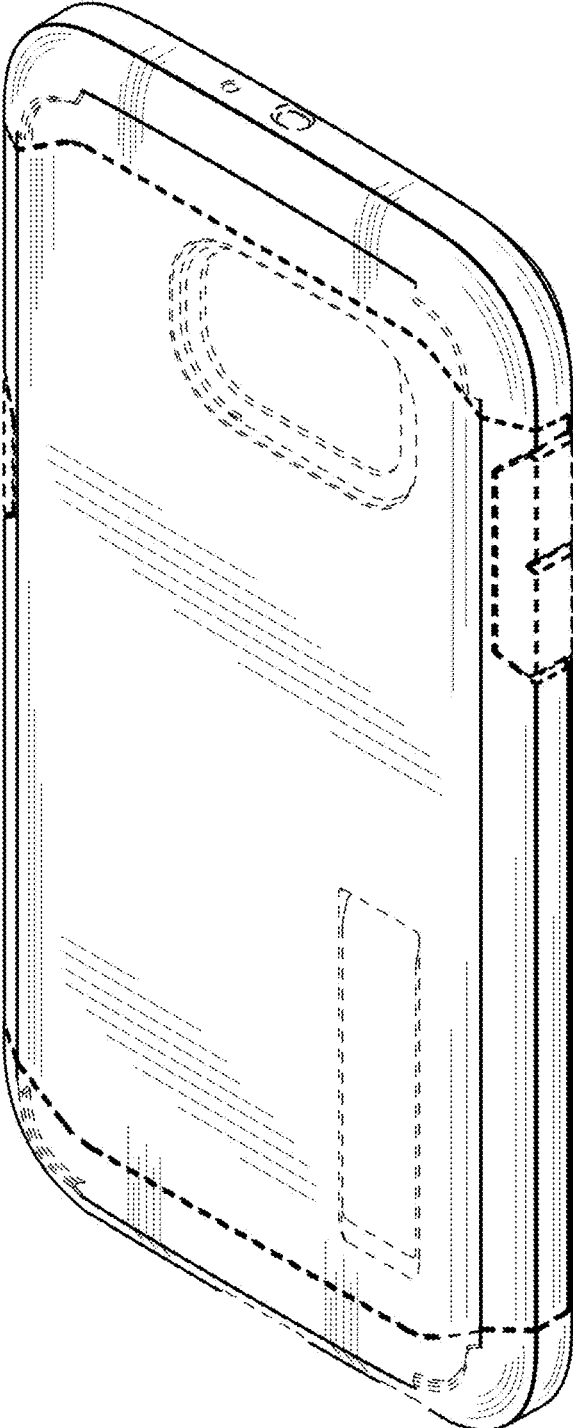


FIG. 3

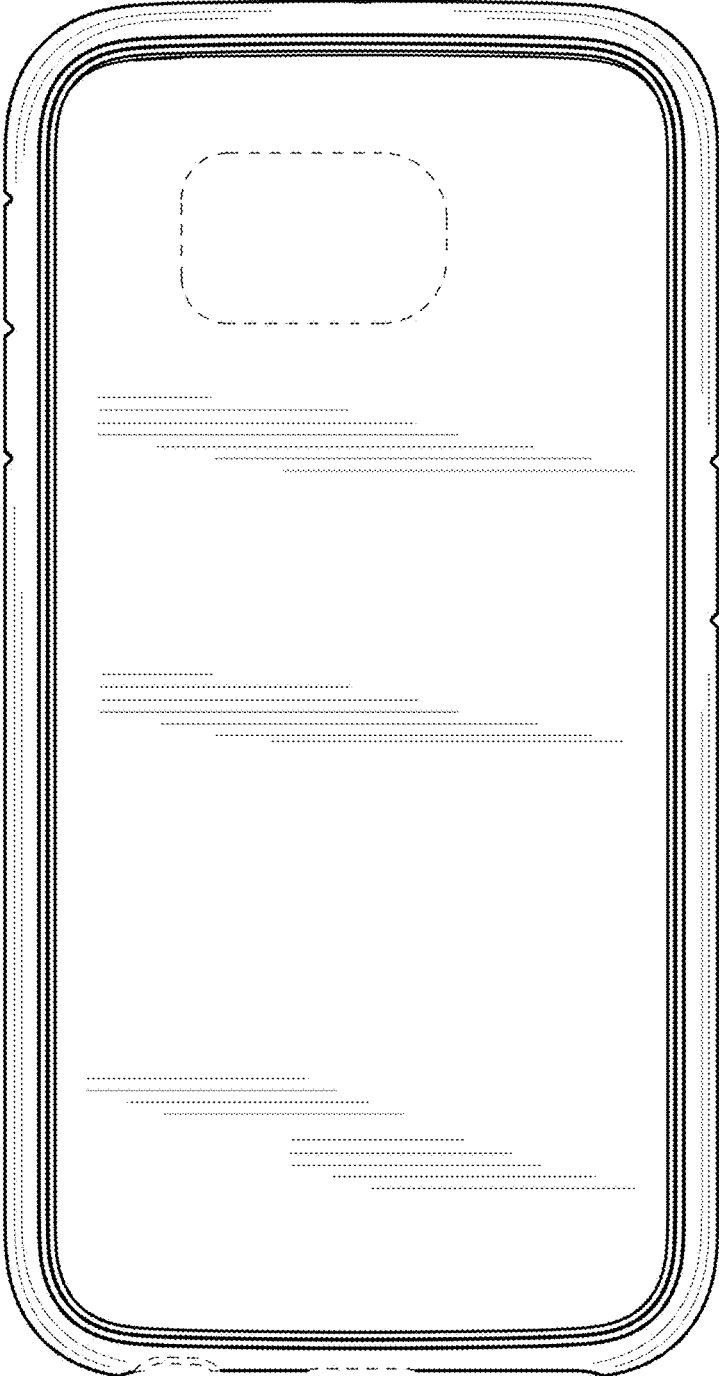


FIG. 4

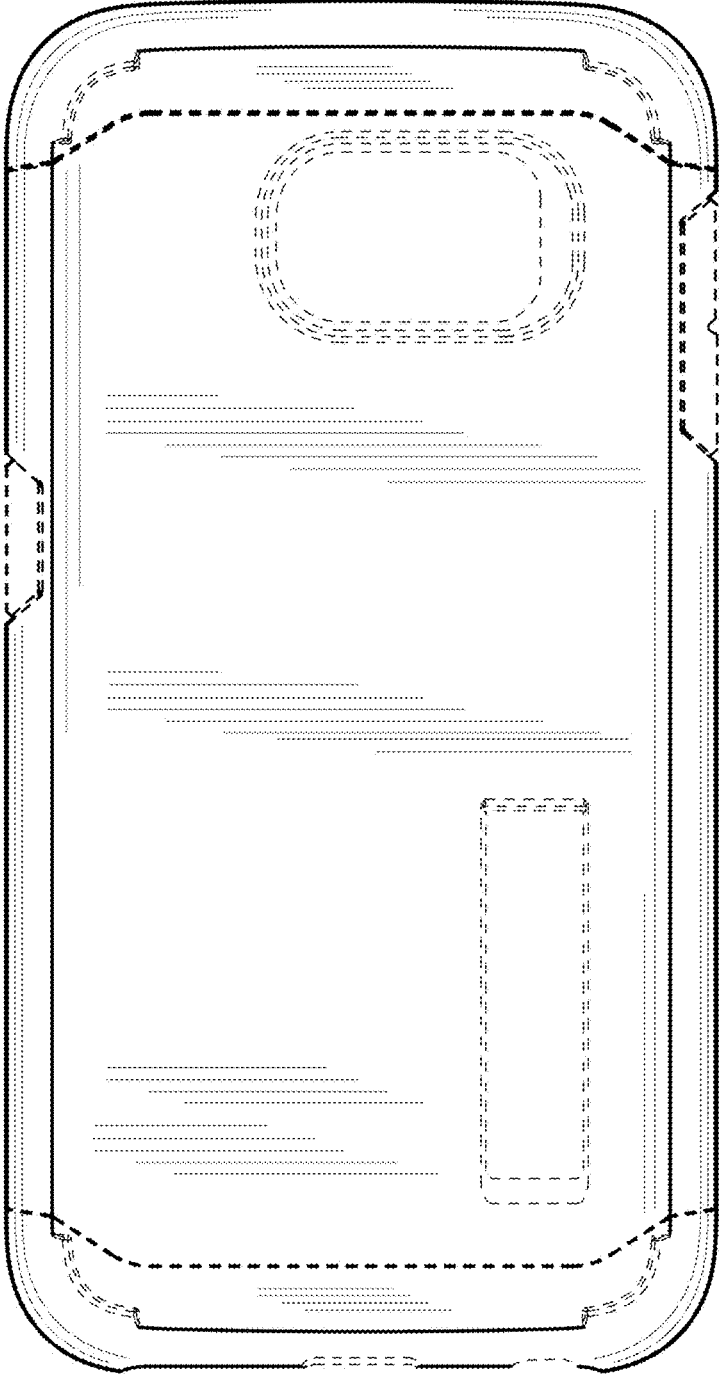


FIG. 5

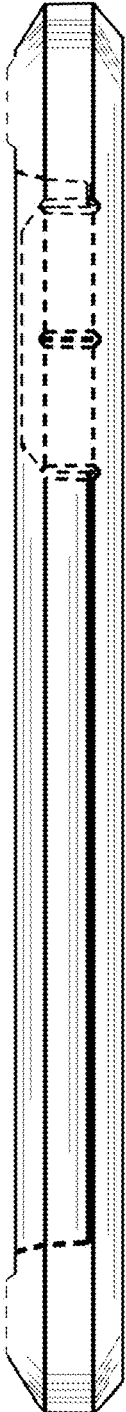


FIG. 6

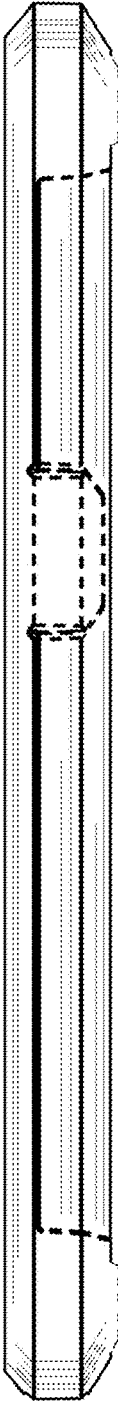


FIG. 7

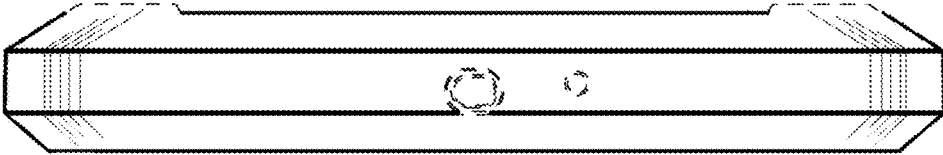


FIG. 8



FIG. 9

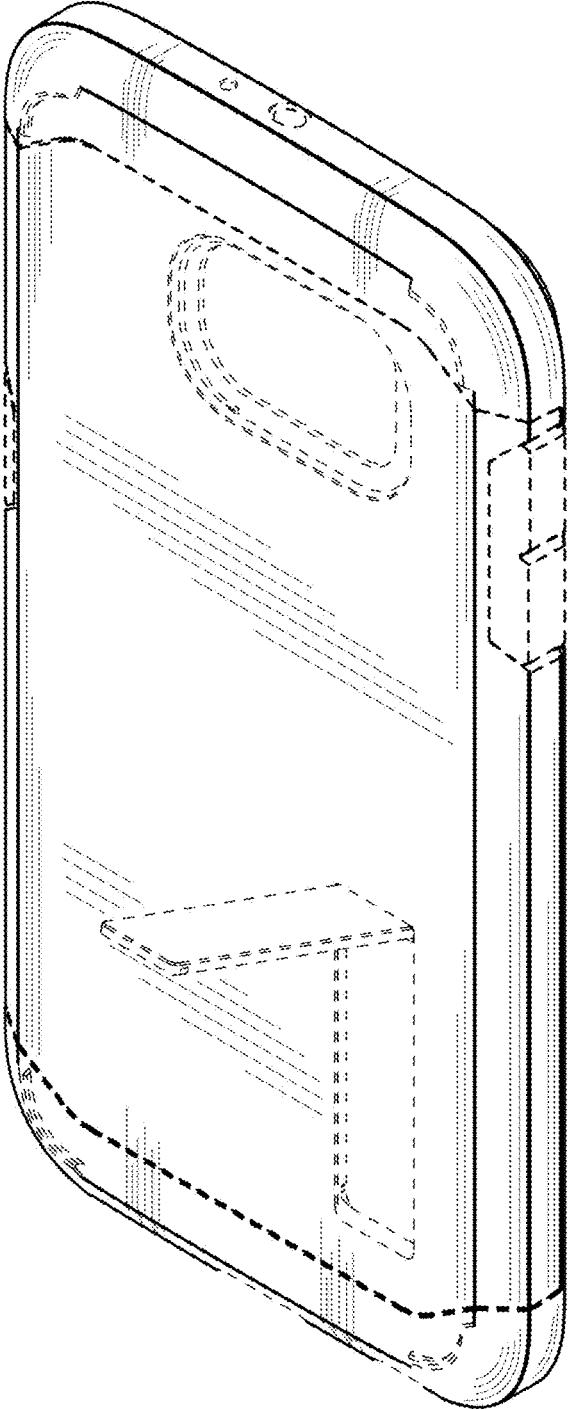


FIG. 10

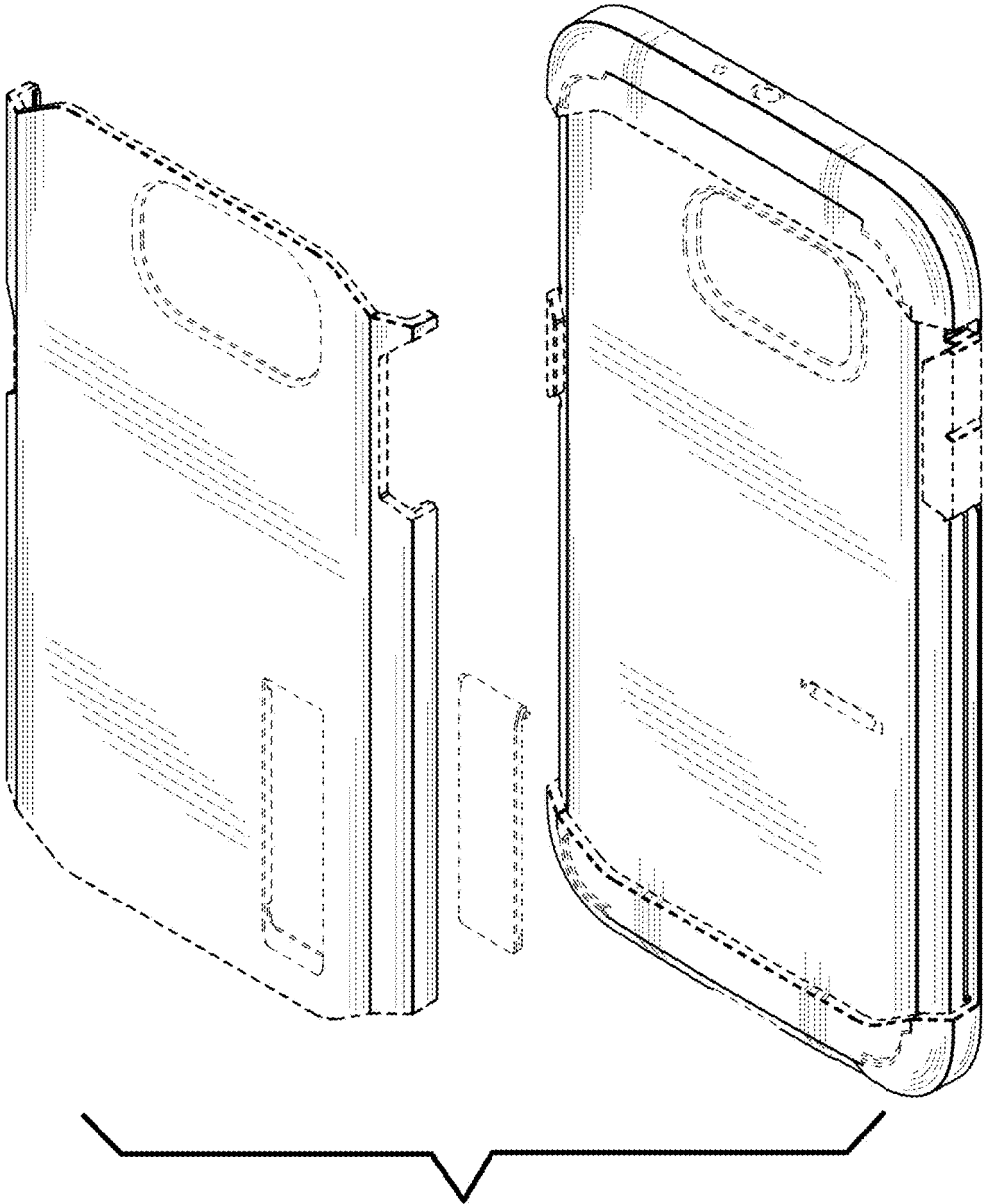


FIG. 11

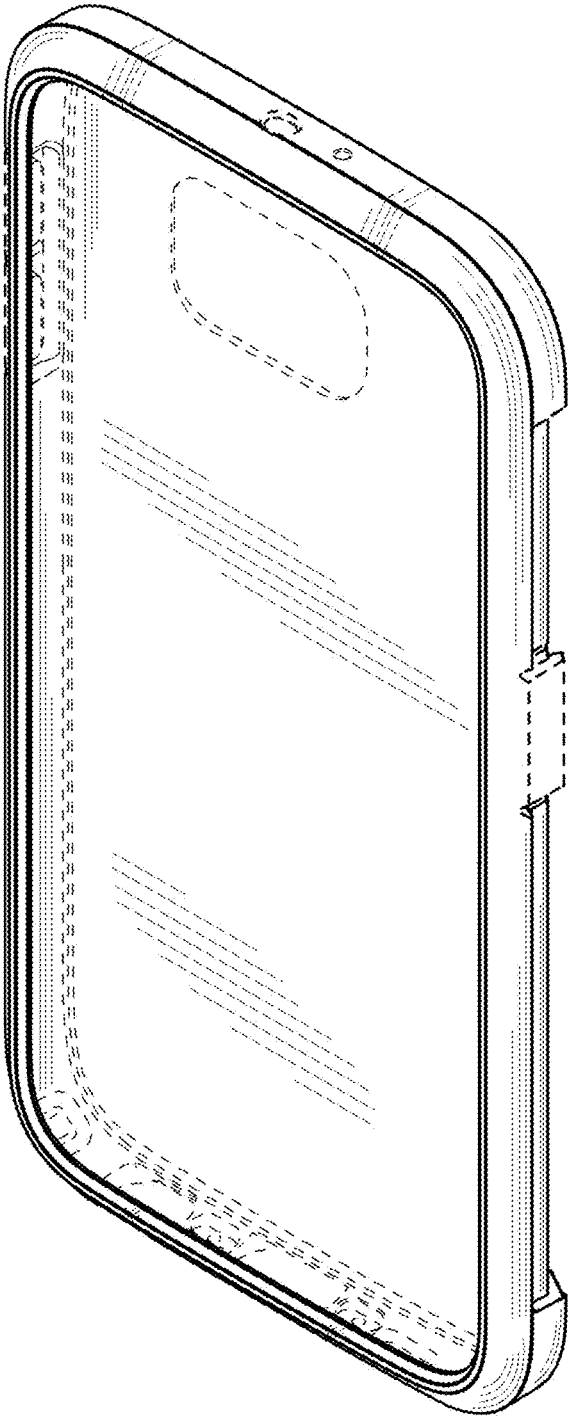


FIG. 12

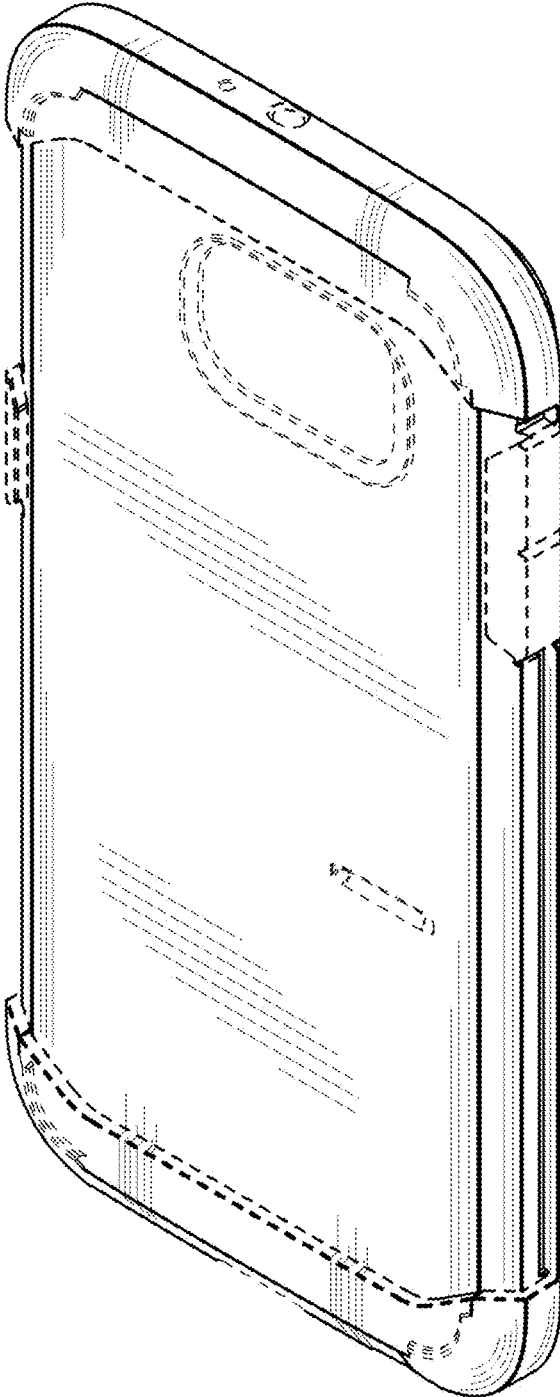


FIG. 13



FIG. 14

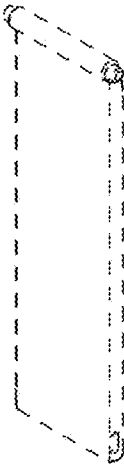


FIG. 15

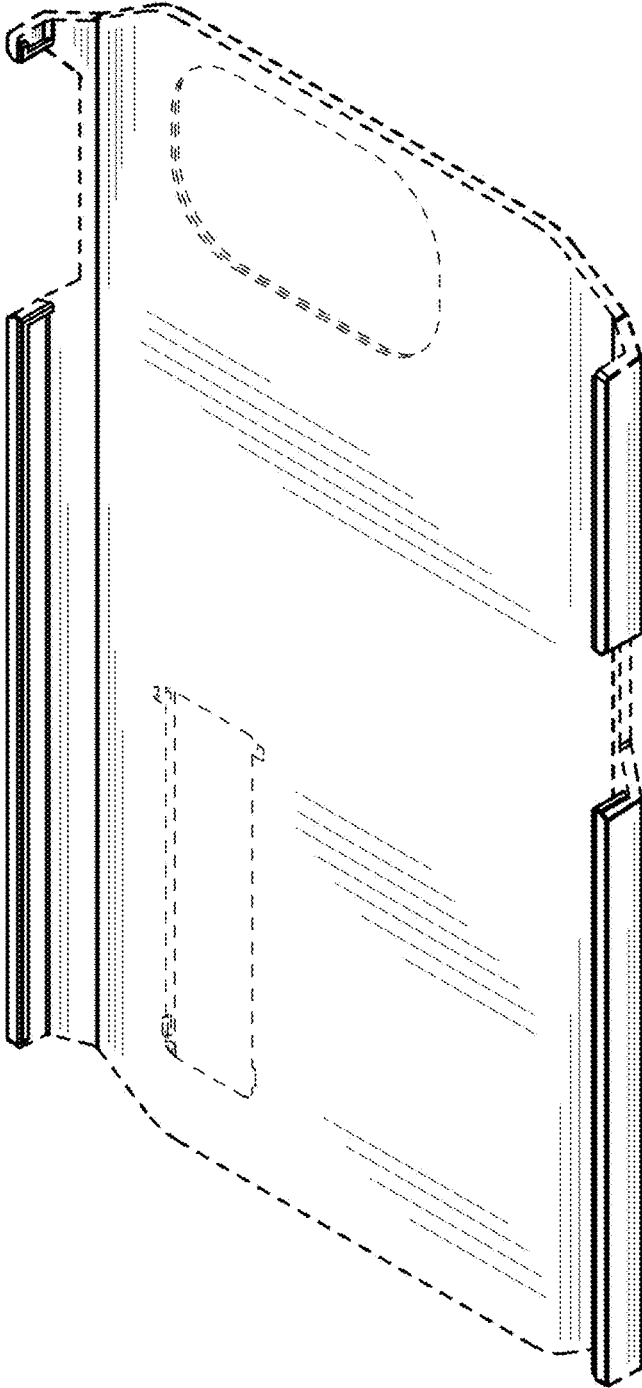


FIG. 16

