



US00D381412S

**United States Patent** [19]  
**Rimback**

[11] **Patent Number: Des. 381,412**

[45] **Date of Patent: \*\*Jul. 22, 1997**

[54] **HEAT REFLECTOR**

[75] Inventor: **Peter Rimback**, Village of Oakwood, Ohio

[73] Assignee: **Hanover Catalog Holdings, Inc.**, Weehawken, N.J.

[\*\*] Term: **14 Years**

[21] Appl. No.: **46,810**

[22] Filed: **Nov. 10, 1995**

[51] **LOC (6) Cl. .... 23-03**

[52] **U.S. Cl. .... D23/403**

[58] **Field of Search .... D23/386, 314, D23/403; 165/55**

[56] **References Cited**

**U.S. PATENT DOCUMENTS**

- D. 296,584 7/1988 Hilton ..... D23/386 X
- D. 370,058 5/1996 Bostrom ..... D23/386

**OTHER PUBLICATIONS**

Heat Back™, "Improvements", Holiday 1994, p. 13.

*Primary Examiner*—Holly Baynham

*Attorney, Agent, or Firm*—Thompson Hine & Flory LLP

[57] **CLAIM**

The ornamental design for a heat reflector, as shown and described.

**DESCRIPTION**

FIG. 1 is a perspective view of my new heat reflector taken from above;

FIG. 2 is a front elevational view thereof;

FIG. 3 is a top plan view thereof;

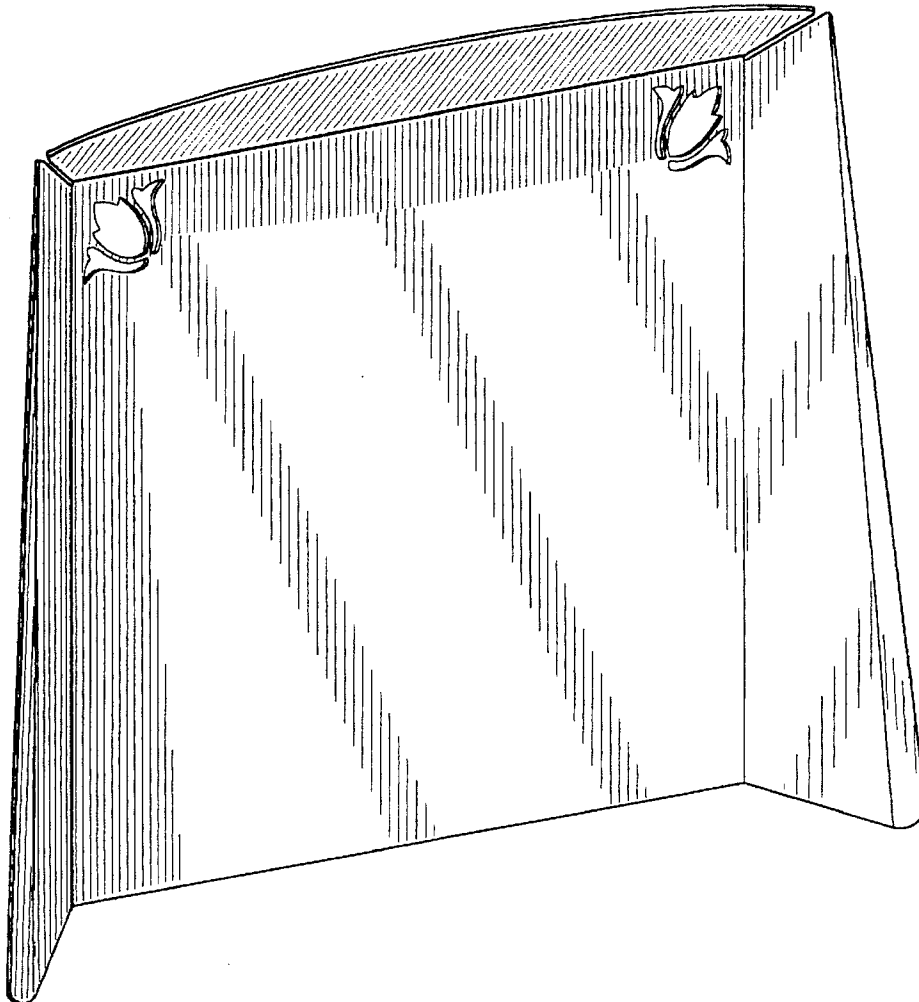
FIG. 4 is a left side elevational view thereof;

FIG. 5 is a rear elevational view thereof;

FIG. 6 is a right side elevational view thereof; and,

FIG. 7 is a bottom plan view thereof.

**1 Claim, 3 Drawing Sheets**



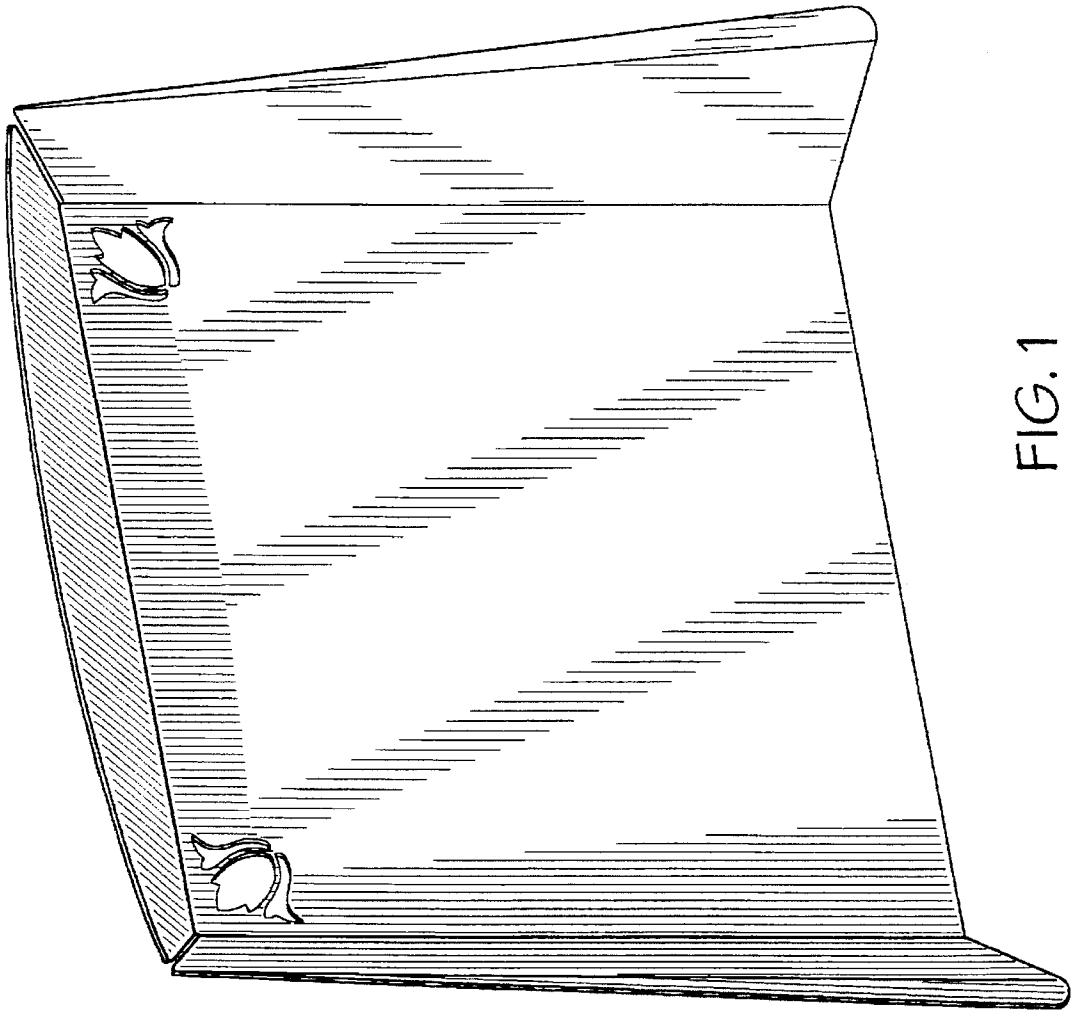


FIG. 1

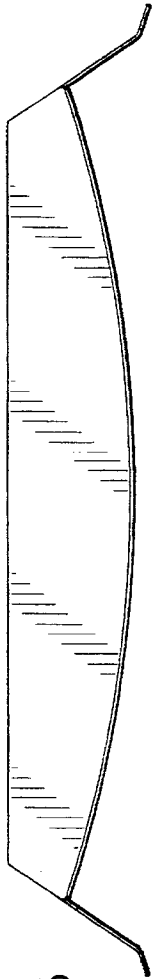


FIG. 3



FIG. 4

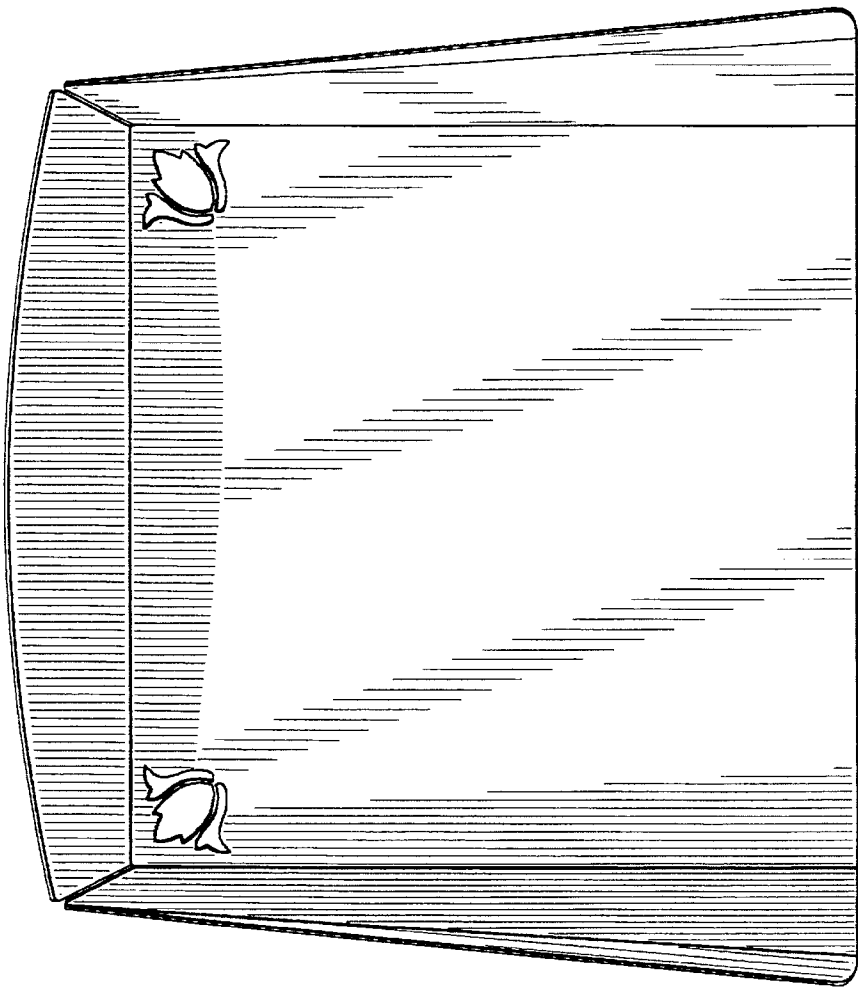


FIG. 2

FIG. 5

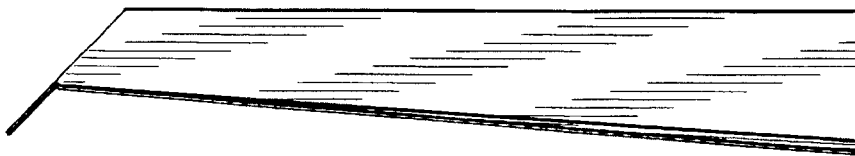
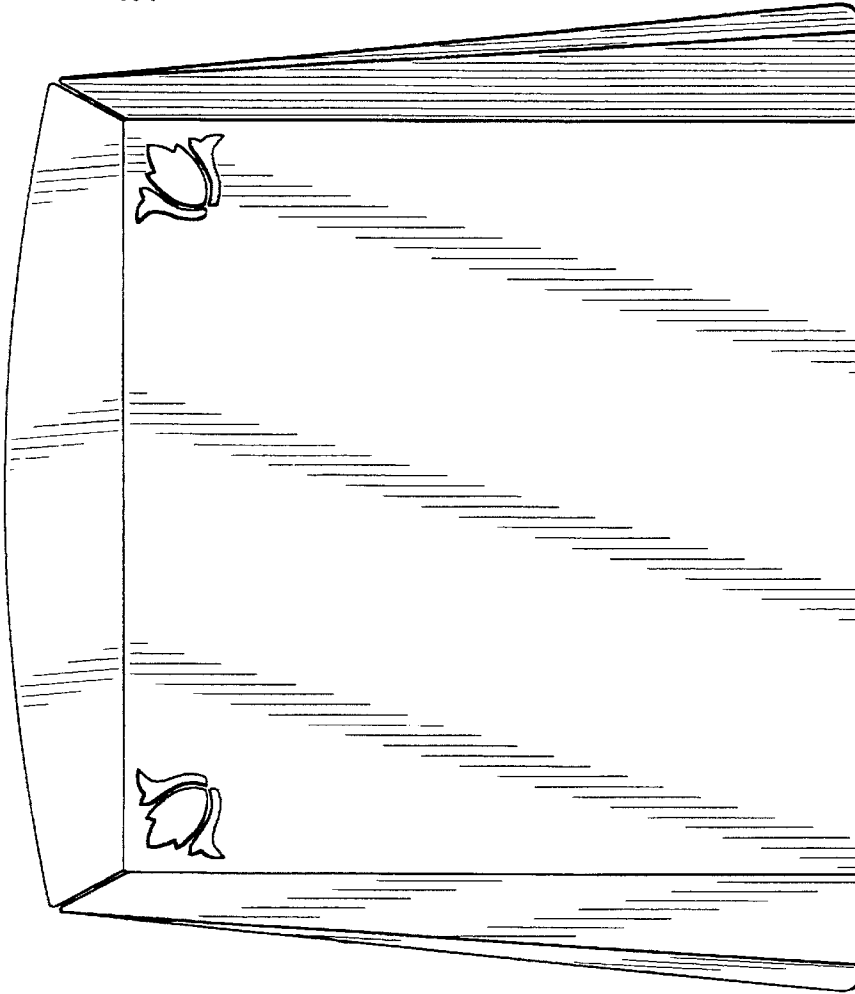


FIG. 6

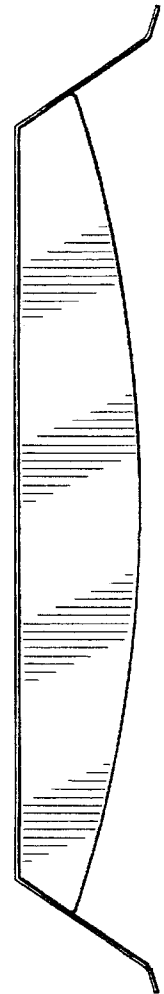


FIG. 7