

(12) UK Patent Application (19) GB (11) 2591964 (13) A

(43) Date of Reproduction by UK Office 11.08.2021

(21) Application No: 2106956.2
(22) Date of Filing: 25.10.2019
Date Lodged: 14.05.2021
(30) Priority Data:
(31) 1817455 (32) 26.10.2018 (33) GB
(31) 1904133 (32) 26.03.2019 (33) GB

(86) International Application Data:
PCT/GB2019/053030 En 25.10.2019

(87) International Publication Data:
WO2020/084313 En 30.04.2020

(51) INT CL:
A61B 90/00 (2016.01) A61B 50/37 (2016.01)
A61B 90/90 (2016.01) A61B 50/37 (2016.01)

(56) Documents Cited:
US 6026818 A US 4317112 A
US 3948390 A US 20150305735 A1
US 20060255938 A1

(58) Field of Search:
INT CL A61B
Other: EPO-INTERNAL, WPI Data

(71) Applicant(s):
Eureka Inventions Limited
Keele University,
MED IC4 Science and Innovation Park., Newcastle,
Staffordshire, ST5 5NL, United Kingdom

(72) Inventor(s):
Aditi Kiran Desai
Kiran Kamlakant Desai

(74) Agent and/or Address for Service:
Forresters IP LLP
Rutland House, 148 Edmund Street, BIRMINGHAM,
B3 2JA, United Kingdom

(54) Title of the Invention: **Surgical apparatus and method**
Abstract Title: **Surgical apparatus and method**

(57) A surgical apparatus comprising: a body (200) having at least one port (10; 205); and at least one item of surgical equipment (100); in which each item of surgical equipment (100) comprises an engagement member (120) arranged to engage a port (10; 205) of the body (200), and in which the apparatus further comprises: a control circuit (12) arranged to determine for each port (10; 205) whether the engagement member of one of the items of surgical equipment (100) is engaged to the port (10; 205); and an indicator (16; 210) controlled by the control circuit (12) and arranged to indicate whether each engagement member (120) is engaged with the at least one port (10; 205).

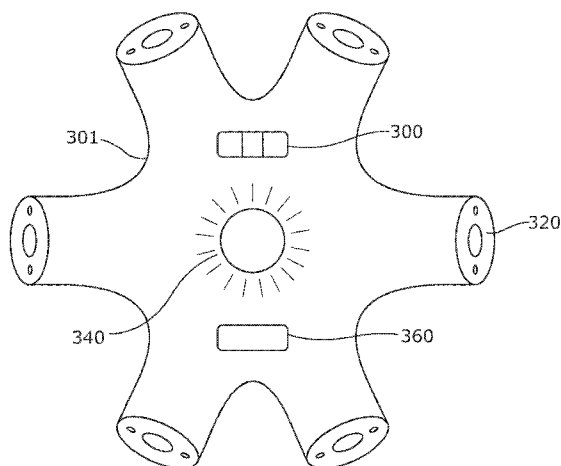


Fig. 3

GB 2591964 A