



US0D1025803S

(12) **United States Design Patent**
Siminoff et al.

(10) **Patent No.:** **US D1,025,803 S**

(45) **Date of Patent:** **** May 7, 2024**

(54) **AUDIO/VIDEO DOORBELL AND DOOR VIEWER**

FOREIGN PATENT DOCUMENTS

(71) Applicant: **Amazon Technologies, Inc.**, Seattle, WA (US)

CN 101523454 A 9/2009
CN 304279386 S 9/2017

(Continued)

(72) Inventors: **Mark Siminoff**, Mountain View, CA (US); **Matthew J. England**, Santa Monica, CA (US); **Christopher Loew**, Palo Alto, CA (US); **James Siminoff**, Pacific Palisades, CA (US)

OTHER PUBLICATIONS

Mexican Office Action dated Nov. 10, 2020 for Mexican Design Application No. MX/1/2019/001315, a counterpart foreign application of US Design No. D889,300, 4 pages.

(Continued)

(73) Assignee: **AMAZON TECHNOLOGIES, INC.**, Seattle, WA (US)

Primary Examiner — George D. Kirschbaum

(74) *Attorney, Agent, or Firm* — Lee & Hayes P.C.

(**) Term: **15 Years**

(57) **CLAIM**

(21) Appl. No.: **29/736,674**

The ornamental design for an audio/video doorbell and door viewer, as shown and described.

(22) Filed: **Jun. 2, 2020**

DESCRIPTION

Related U.S. Application Data

(62) Division of application No. 29/673,311, filed on Dec. 13, 2018, now Pat. No. Des. 889,300.

(51) **LOC (14) Cl.** **10-05**

(52) **U.S. Cl.**
USPC **D10/118.2**

(58) **Field of Classification Search**
USPC D10/118.2
CPC G08B 3/10; G08B 7/06; G08B 13/19656;
G08B 13/19695; G08B 19/005; G08B
(Continued)

FIG. 1 is a front, top perspective view of an audio/video doorbell and door viewer according to the present design; FIG. 2 is a back, bottom perspective view thereof; FIG. 3 is a front elevation view thereof; FIG. 4 is a back elevation view thereof; FIG. 5 is a left-side elevation view thereof; FIG. 6 is a right-side elevation view thereof; FIG. 7 is a top plan view thereof; FIG. 8 is a bottom plan view thereof; FIG. 9 is a front perspective view showing unclaimed environment of the audio/video doorbell and door viewer according to the present design; and, FIG. 10 is a back perspective view showing unclaimed environment of the audio/video doorbell and door viewer according to the present design.

The dashed lines depict portions of the audio/video doorbell and door viewer that form no part of the claimed design, and/or show environment of the audio/video doorbell and door viewer that forms no part of the claimed design.

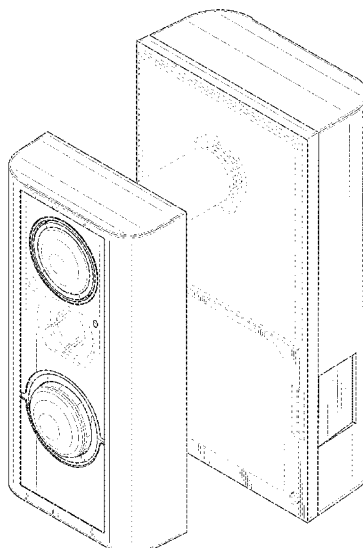
(56) **References Cited**

U.S. PATENT DOCUMENTS

D243,615 S 3/1977 Kaye
6,607,283 B1 8/2003 Cozad
7,193,644 B2 3/2007 Carter

(Continued)

1 Claim, 10 Drawing Sheets



(58) **Field of Classification Search**
 CPC .. 27/005; G08B 29/181; G08B 13/196; G08B
 13/19634
 See application file for complete search history.

(56) **References Cited**

U.S. PATENT DOCUMENTS

D636,424 S 4/2011 Lin
 8,139,098 B2 3/2012 Carter
 8,144,183 B2 3/2012 Carter
 8,154,581 B2 4/2012 Carter
 8,294,574 B2 10/2012 Haywood
 D680,063 S 4/2013 Sasada
 8,780,201 B1 7/2014 Scalisi et al.
 8,823,795 B1 9/2014 Scalisi et al.
 8,842,180 B1 9/2014 Kasmir et al.
 8,872,915 B1 10/2014 Scalisi et al.
 8,937,659 B1 1/2015 Scalisi et al.
 8,941,736 B1 1/2015 Scalisi
 8,947,530 B1 2/2015 Scalisi
 8,953,040 B1 2/2015 Scalisi et al.
 9,013,575 B2 4/2015 Scalisi
 9,049,352 B2 6/2015 Scalisi et al.
 9,053,622 B2 6/2015 Scalisi
 9,058,738 B1 6/2015 Scalisi
 9,060,103 B2 6/2015 Scalisi
 9,060,104 B2 6/2015 Scalisi
 9,065,987 B2 6/2015 Kasmir et al.
 9,094,584 B2 7/2015 Scalisi et al.
 9,113,051 B1 8/2015 Scalisi
 9,113,052 B1 8/2015 Scalisi et al.
 9,118,819 B1 8/2015 Scalisi et al.
 9,142,214 B2 9/2015 Scalisi
 9,160,987 B1 10/2015 Kasmir et al.
 9,165,444 B2 10/2015 Scalisi
 9,172,920 B1 10/2015 Kasmir et al.
 9,172,921 B1 10/2015 Scalisi et al.
 9,172,922 B1 10/2015 Kasmir et al.
 D742,312 S 11/2015 Gupta et al.
 9,179,107 B1 11/2015 Scalisi et al.
 9,179,108 B1 11/2015 Scalisi et al.
 9,179,109 B1 11/2015 Kasmir et al.
 9,196,133 B2 11/2015 Scalisi et al.
 9,197,867 B1 11/2015 Scalisi et al.
 9,230,424 B1 1/2016 Scalisi et al.
 9,237,318 B2 1/2016 Kasmir et al.
 9,247,219 B2 1/2016 Kasmir et al.
 9,253,455 B1 2/2016 Harrison et al.
 D754,556 S 4/2016 Bousquet
 9,342,936 B2 5/2016 Scalisi
 D760,647 S 7/2016 Chen
 D764,404 S 8/2016 Lau et al.
 9,508,239 B1 11/2016 Harrison et al.
 D788,061 S 5/2017 Siminoff
 D789,820 S 6/2017 Siminoff et al.
 D793,268 S 8/2017 Ye
 9,736,284 B2 8/2017 Scalisi et al.
 9,743,049 B2 8/2017 Scalisi et al.
 9,769,435 B2 9/2017 Scalisi et al.
 9,786,133 B2 10/2017 Harrison et al.
 9,799,183 B2 10/2017 Harrison et al.
 9,822,553 B1 11/2017 Ho et al.
 D812,556 S 3/2018 Ku
 D816,606 S 5/2018 Georgiades
 D819,476 S * 6/2018 Siminoff D10/118.2
 D820,137 S 6/2018 Siminoff et al.
 D820,706 S 6/2018 Siminoff et al.
 D820,707 S 6/2018 Siminoff et al.
 D820,708 S * 6/2018 Siminoff D10/118.2
 D822,518 S 7/2018 Siminoff et al.
 D822,519 S 7/2018 Siminoff et al.
 D822,520 S * 7/2018 Siminoff D10/118.2
 D823,239 S 7/2018 Gupta et al.
 D825,456 S 8/2018 Daravong
 D829,585 S * 10/2018 Siminoff D10/118.2
 D830,871 S 10/2018 Siminoff et al.

D833,313 S * 11/2018 Siminoff D10/118.2
 D837,080 S * 1/2019 Siminoff D10/118.2
 D838,669 S 1/2019 Miller et al.
 D840,857 S 2/2019 Scalisi
 D840,858 S 2/2019 Siminoff et al.
 D842,244 S 3/2019 Li
 D844,560 S 4/2019 Miller et al.
 D848,299 S 5/2019 Li
 D849,082 S 5/2019 Boling et al.
 D853,265 S 7/2019 Grearson et al.
 D853,320 S 7/2019 Guo
 D853,322 S 7/2019 Xu
 D858,338 S 9/2019 Yu
 D858,434 S 9/2019 Park et al.
 D860,029 S * 9/2019 Yang D10/118.2
 D860,129 S 9/2019 Price
 D860,936 S 9/2019 Jia
 D861,592 S 10/2019 Venugopal et al.
 D861,595 S 10/2019 He
 D862,384 S 10/2019 Jen
 D864,861 S 10/2019 Roberts
 D866,379 S 11/2019 Siminoff et al.
 D866,380 S * 11/2019 Siminoff D10/118.2
 D867,280 S 11/2019 Chen
 D874,963 S * 2/2020 Siminoff D10/118.2
 D875,809 S 2/2020 Huang
 D889,300 S * 7/2020 Siminoff D10/118.2
 D889,301 S * 7/2020 Siminoff D10/118.2
 D898,601 S * 10/2020 Cui D10/118.2
 D921,511 S * 6/2021 Li D10/118.2
 D926,066 S * 7/2021 England D10/118.2
 D935,337 S * 11/2021 Huang D10/118.2
 D939,991 S * 1/2022 Yang D10/118.2
 D945,898 S * 3/2022 England D10/118.2
 D947,702 S * 4/2022 Stefans D10/118.2
 D955,253 S * 6/2022 McManigal D10/118.2
 D957,280 S * 7/2022 England D10/118.2
 D965,457 S * 10/2022 Thorne D10/118.2
 D965,458 S * 10/2022 Thorne D10/118.2
 D966,918 S * 10/2022 Lai D10/118.2
 D966,919 S * 10/2022 Thorne D10/118.2
 D968,994 S * 11/2022 Guo D10/118.2
 D973,530 S * 12/2022 Qin D10/118.2
 D974,213 S * 1/2023 Lu D10/118.2
 D974,944 S * 1/2023 Qin D10/118.2
 D976,734 S * 1/2023 England D10/118.2
 D980,735 S * 3/2023 Burns D10/118.2
 2003/0086186 A1 5/2003 Bahrayni-Moghaddam
 2003/0095185 A1 5/2003 Naifeh
 2006/0213682 A1 9/2006 Moon et al.
 2006/0221183 A1 10/2006 Sham
 2007/0103548 A1 5/2007 Carter
 2009/0091618 A1 4/2009 Anderson
 2009/0273670 A1 11/2009 Tamayo
 2010/0259618 A1 10/2010 Chen
 2011/0121940 A1 5/2011 Jones
 2012/0113253 A1 5/2012 Slater
 2013/0045763 A1 2/2013 Ruiz
 2014/0139666 A1 5/2014 Wei
 2014/0267716 A1 9/2014 Child et al.
 2015/0124091 A1 5/2015 Stahl
 2015/0146002 A1 5/2015 Cruz et al.
 2016/0033202 A1 2/2016 Walla et al.
 2016/0050399 A1 2/2016 Chuter et al.
 2016/0247027 A1 8/2016 Tsoi et al.
 2018/0234668 A1 8/2018 Bauswell
 2019/0340904 A1 11/2019 Yuan et al.
 2019/0364244 A1 11/2019 Siminoff et al.
 2019/0383090 A1 12/2019 Lee et al.
 2020/0296328 A1 9/2020 Siminoff et al.
 2022/0191427 A1 6/2022 Siminoff et al.

FOREIGN PATENT DOCUMENTS

CN 304897992 S 11/2018
 CN 304933710 S 12/2018
 EM 005795788-0001 1/2019
 EM 005795788-0001 L 1/2019
 EP 2385703 11/2011

(56)

References Cited

FOREIGN PATENT DOCUMENTS

JP	S6427394	U	2/1989
JP	H08218749	A	8/1996
JP	2005184527	A	7/2005
JP	1651500		1/2020
JP	1651502		1/2020
TW	265988		12/1995
TW	265988	A	12/1995
TW	D170846		10/2015
TW	D170846	A	10/2015
WO	WO2007081894		7/2007

OTHER PUBLICATIONS

Office Action for U.S. Appl. No. 16/891,339, dated Oct. 8, 2020, Siminoff, "Audio/Video Device With Viewer", 13 Pages.

Canadian Office Action dated Jun. 17, 2020 for Canadian Patent Application No. 187547, a counterpart of U.S. Pat. No. D889,300, 2 pages.

Japanese Office Action dated Feb. 22, 2022 for Japanese Patent Application No. 2020-565465, a foreign counterpart to U.S. Pat. No. 10,728,497, 11 pages.

Chinese Office Action dated Aug. 1, 2022 for Chinese Patent Application No. 201980034398.1, a foreign counterpart to U.S. Pat. No. 10,728,497, 12 pages.

Chinese Office Action dated Dec. 3, 2021 for Chinese Patent Application No. 201980034398.1, a foreign counterpart to U.S. Pat. No. 10,728,497, 22 pages.

Australian Office Action dated Aug. 5, 2019 for Australian Patent Application No. 201913629, a counterpart of U.S. Appl. No. 29/675,488, 2 pages.

Chinese Office Action dated Jan. 14, 2020, for Chinese Design Application No. 201930465085.4, a counterpart foreign application of the U.S. Appl. No. 29/681,330, 1 pages.

Chinese Office Action dated Oct. 11, 2019, for Chinese Patent Appl. No. 29/675,488.6, a counterpart foreign application of the U.S. Appl. No. 29/675,488, 1 page.

Chinese Office Action dated Sep. 29, 2019, for Chinese U.S. Appl. No. 201930259756.1, a counterpart foreign application of the U.S. Appl. No. 29/673,311, 1 page.

Copy of the Chinese Office Action dated Sep. 30, 2019 for Chinese Design Application No. 201930233393.4, a counterpart foreign application of the U.S. Appl. No. 29/670,249.

EdimaxTV; "Installation of Edimax IC-6220DC Wireless Peephole Camera", retrieved on Jun. 22, 2018 at <<https://www.youtube.com/watch?reload=9&v=6qGH1XzA_7o>>, YouTube, Video, 3 minutes, 2 pages.

Japanese Office Action dated Aug. 30, 2019, for Japanese Patent Application No. 2019-012138, a counterpart foreign application of the U.S. Appl. No. 29/673,311, 3 pages.

Japanese Office Action dated Jan. 31, 2020 for Japanese Patent Application No. 2019-014703, a counterpart of U.S. Appl. No. 29/675,488, 3 pages.

Japanese Office Action dated Jan. 31, 2020 for Japanese Patent Application No. 2019-014704, a counterpart of U.S. Appl. No. 29/675,488, 3 pages.

Japanese Office Action dated Jan. 31, 2020 for Japanese Patent Application No. 2019-014705, a counterpart of U.S. Appl. No. 29/675,488, 3 pages.

Japanese Office Action dated Jan. 31, 2020 for Japanese Patent Application No. 2019-014706, a counterpart of U.S. Appl. No. 29/675,488, 3 pages.

Japanese Office Action dated Mar. 13, 2020 for Japanese Patent Application No. 2019-018653, a counterpart of U.S. Appl. No. 29/681,330, 3 pages.

Japanese Office Action dated on Mar. 13, 2020 for Japanese Patent Application No. 2019-018654, a counterpart of U.S. Appl. No. 29/681,330, 3 pages.

Japanese Office Action dated Mar. 13, 2020 for Japanese Patent Application No. 2019-018655, a counterpart of U.S. Appl. No. 29/681,330, 3 pages.

Japanese Office Action dated Aug. 30, 2019, for Japanese Patent Application No. 2019-012139, a counterpart foreign application of the U.S. Appl. No. 29/673,311, 3 pages.

Japanese Office Action dated on Aug. 30, 2019, for Japanese Patent Application No. 2019-012141, a counterpart foreign application of the U.S. Appl. No. 29/673,311, 3 pages.

Japanese Office Action dated Aug. 30, 2019, for Japanese Patent Application No. 2019-012140, a counterpart foreign application of the U.S. Appl. No. 29/673,311, 3 pages.

Japanese Office Action dated Sep. 6, 2019, for Japanese Patent Application No. 2019-010347, a counterpart foreign application of the U.S. Appl. No. 29/670,259, 3 pages.

Japanese Office Action dated Aug. 30, 2019, for Japanese Patent Application No. 2019-012142, a counterpart foreign application of the U.S. Appl. No. 29/673,311, 3 pages.

Copy of the Japanese Office Action dated Sep. 6, 2019, for Japanese Patent Application No. 2019-010348, a counterpart foreign application of the U.S. Appl. No. 29/670,259, 3 pages.

Office Action for U.S. Appl. No. 16/218,920, dated Feb. 5, 2020, Siminoff, "Audio/Video Device With Viewer", 10 Pages.

Office Action for U.S. Appl. No. 29/673,311, dated Apr. 13, 2020, Siminoff, "Audio/Video Doorbell and Door Viewer", 5 Pages.

Office Action for U.S. Appl. No. 29/681,330, dated Apr. 13, 2020, Siminoff, "Audio/Video Doorbell and Door Viewer", 5 Pages.

Non Final Office Action dated Nov. 4, 2019 for U.S. Appl. No. 16/218,920 "Audio/Video Device With Viewer" Siminoff, 8 pages.

PCT Search Report and Written Opinion dated Aug. 5, 2019, for the PCT Application No. PCT/US2019/027674, 12 pages.

PCT Search Report and Written Opinion dated Aug. 8, 2019, for the PCT Application No. PCT/US2019/027674, 12 pages.

Translated Taiwanese Office Action dated Dec. 12, 2019 for Taiwanese Patent Application No. 108302982, a counterpart of U.S. Appl. No. 29/673,311, 2 pages.

Translated Taiwanese Office Action dated Dec. 13, 2019 for Taiwanese Patent Application No. 108302983, a counterpart of U.S. Appl. No. 29/673,311, 2 pages.

Translated Taiwanese Office Action dated Dec. 13, 2019 for Taiwanese Patent Application No. 10821187230, a counterpart of U.S. Appl. No. 29/673,311, 2 pages.

Taiwanese Office Action dated Nov. 15, 2019 for Taiwanese Patent Application No. 108302722, a counterpart of U.S. Appl. No. 29/670,249, 4 pages.

Taiwanese Office Action dated Nov. 15, 2019 for Taiwanese Patent Application No. 108302720, a counterpart of U.S. Appl. No. 29/670,249, 4 pages.

Taiwanese Office Action dated Nov. 15, 2019 for Taiwanese Patent Application No. 108302721, a counterpart of U.S. Appl. No. 29/670,249, 4 pages.

Taiwanese Office Action dated Nov. 15, 2019 for Taiwanese Patent Application No. 108302725, a counterpart of U.S. Appl. No. 29/670,259, 4 pages.

Taiwanese Office Action dated Nov. 15, 2019 for Taiwanese Patent Application No. 108302724, a counterpart of U.S. Appl. No. 29/670,259, 4 pages.

Taiwanese Office Action dated Nov. 15, 2019 for Taiwanese Patent Application No. 108302726, a counterpart of U.S. Appl. No. 29/670,259, 4 pages.

Taiwanese Office Action dated Dec. 12, 2019 for Taiwanese Patent Application No. 108302982, a counterpart of U.S. Appl. No. 29/673,311, 6 pages.

Taiwanese Office Action dated Dec. 13, 2019 for Taiwanese Patent Application No. 108302983, a counterpart of U.S. Appl. No. 29/673,311, 3 pages.

Taiwanese Office Action dated Dec. 13, 2019 for Taiwanese Patent Application No. 10821187230, a counterpart of U.S. Appl. No. 29/673,311, 3 pages.

Office Action for U.S. Appl. No. 16/891,339, dated May 11, 2021, Siminoff, "Audio/Video Device With Viewer", 8 pages.

(56)

References Cited

OTHER PUBLICATIONS

Chinese Office Action dated May 8, 2023 for Chinese patent application No. 201980034398.1, a foreign counterpart of U.S. Pat. No. 10,728,497, 37 pages.

European Office Action dated May 11, 2023 for European patent application No. 19721475.2, a foreign counterpart of U.S. Pat. No. 10,728,497, 8 pages.

Office Action for U.S. Appl. No. 17/532,805, dated May 23, 2023, Inventor #1 Mark D. Siminoff, "Audio/Video Device With Viewer," 17 pages.

* cited by examiner

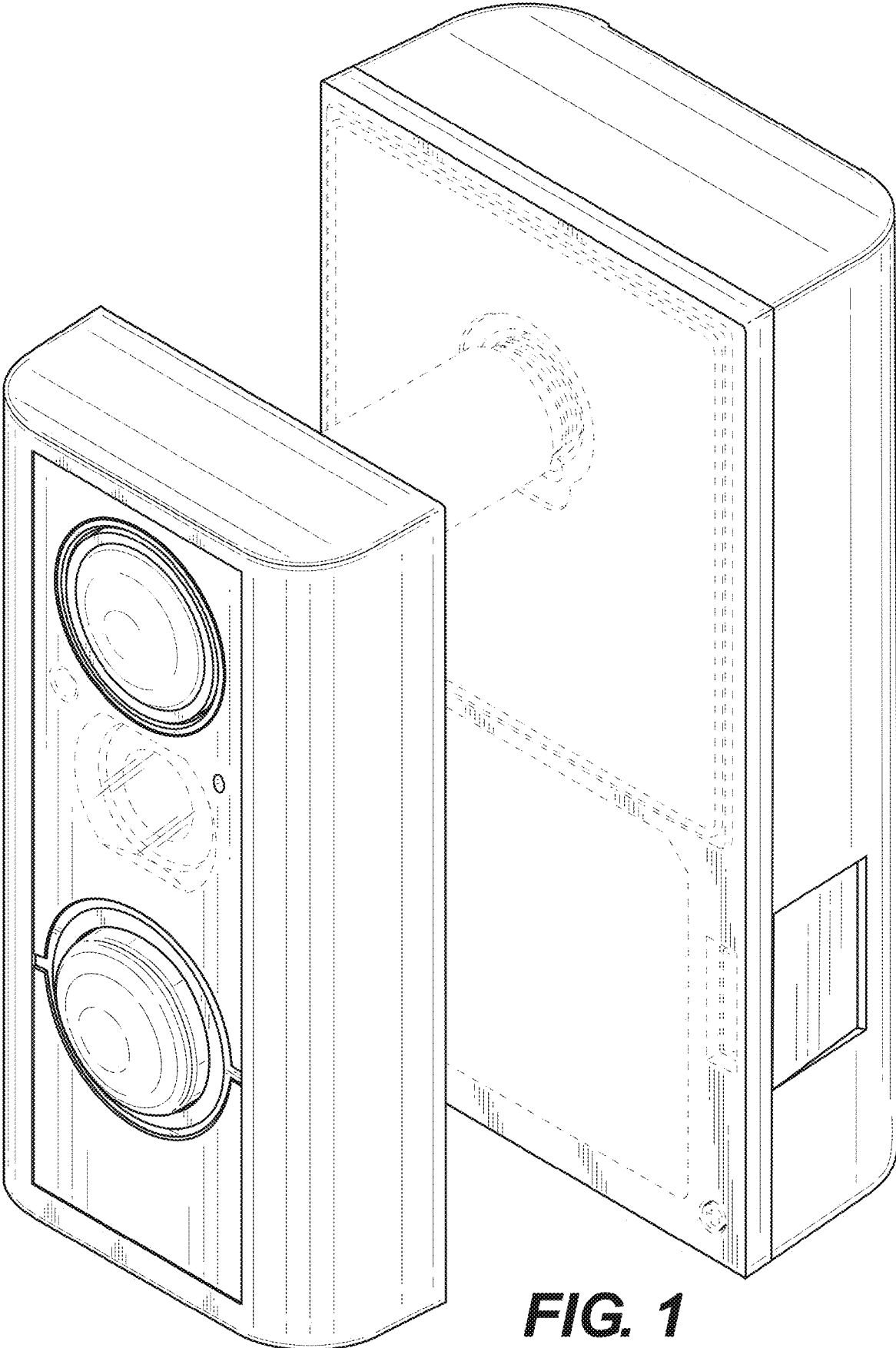


FIG. 1

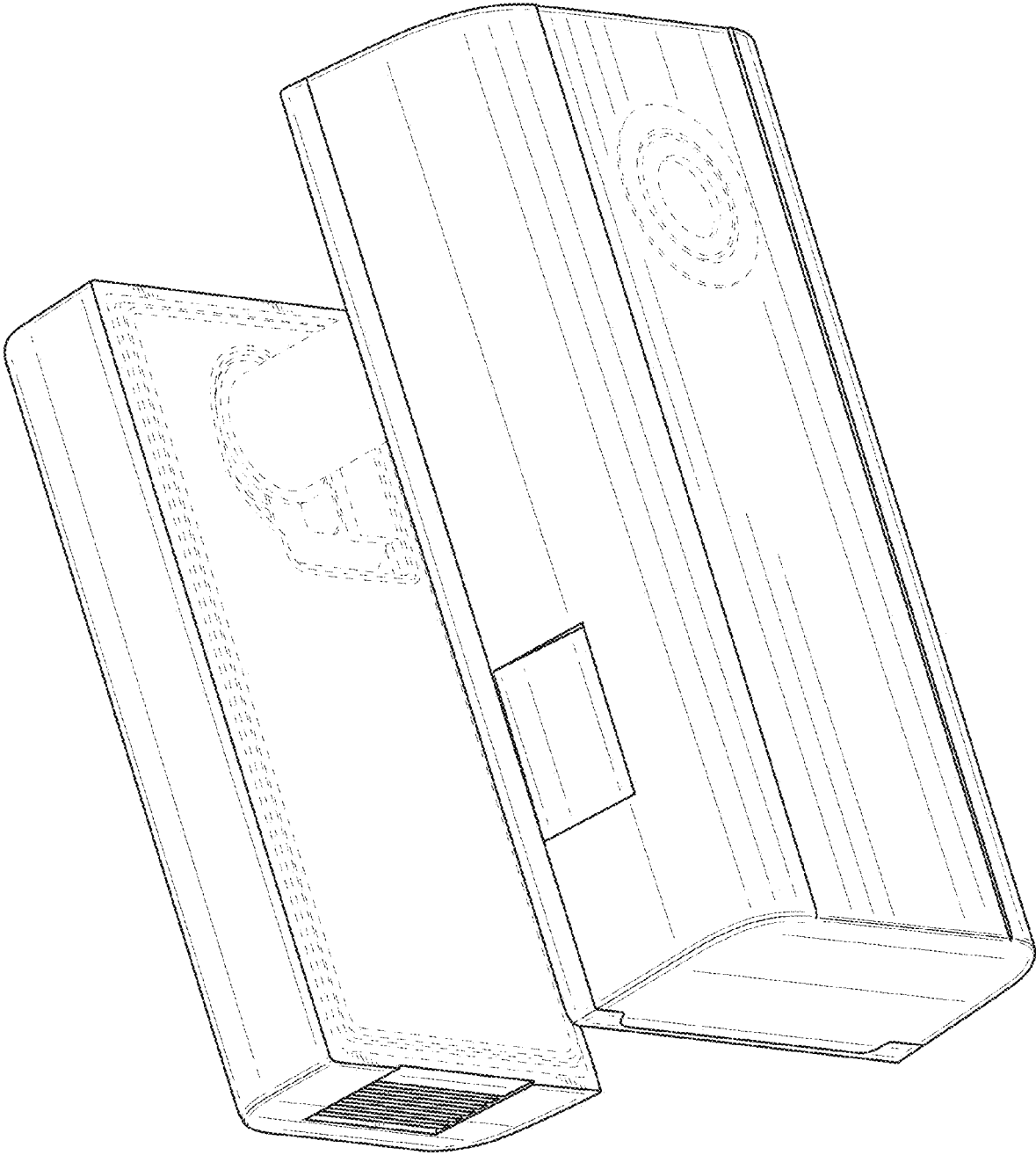


FIG. 2

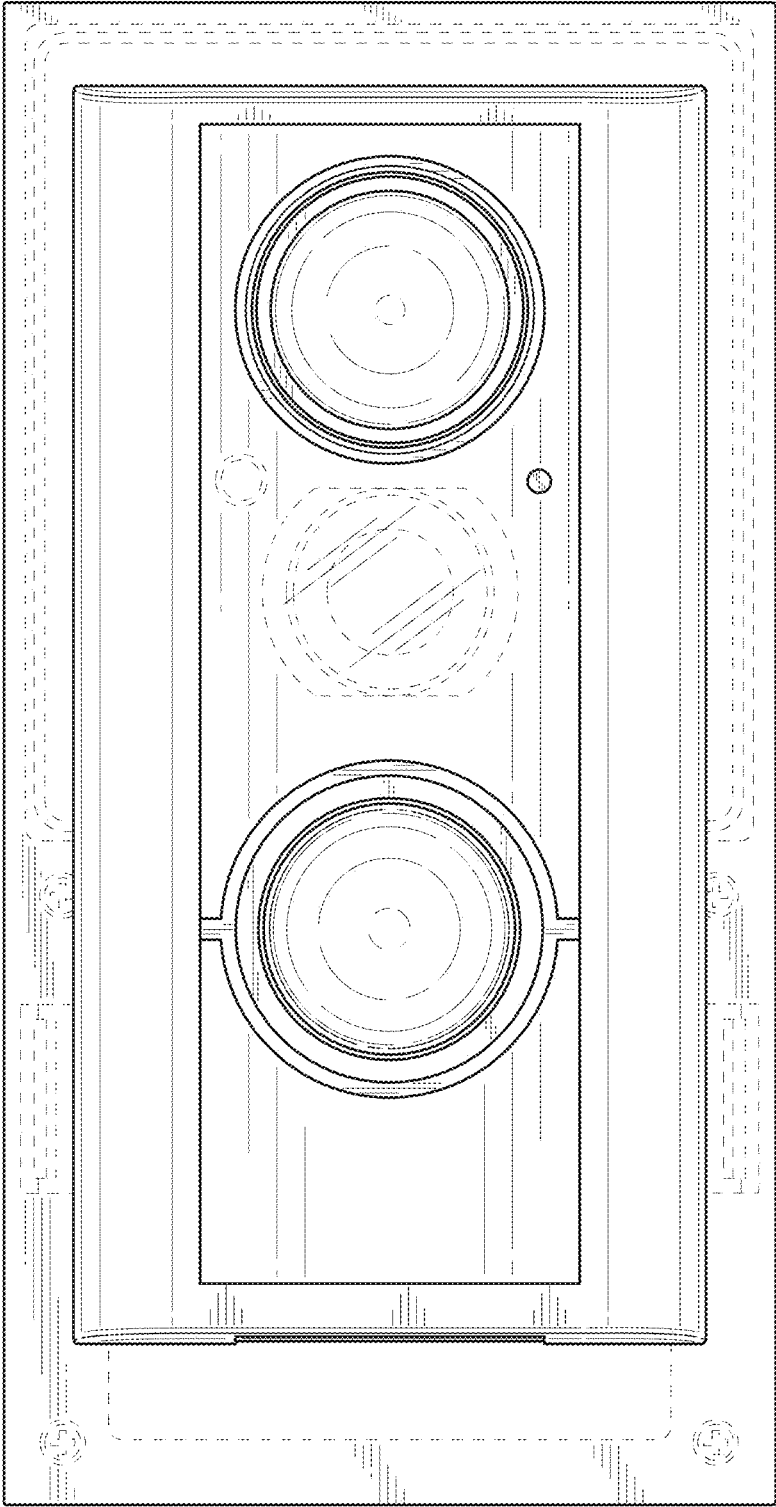


FIG. 3

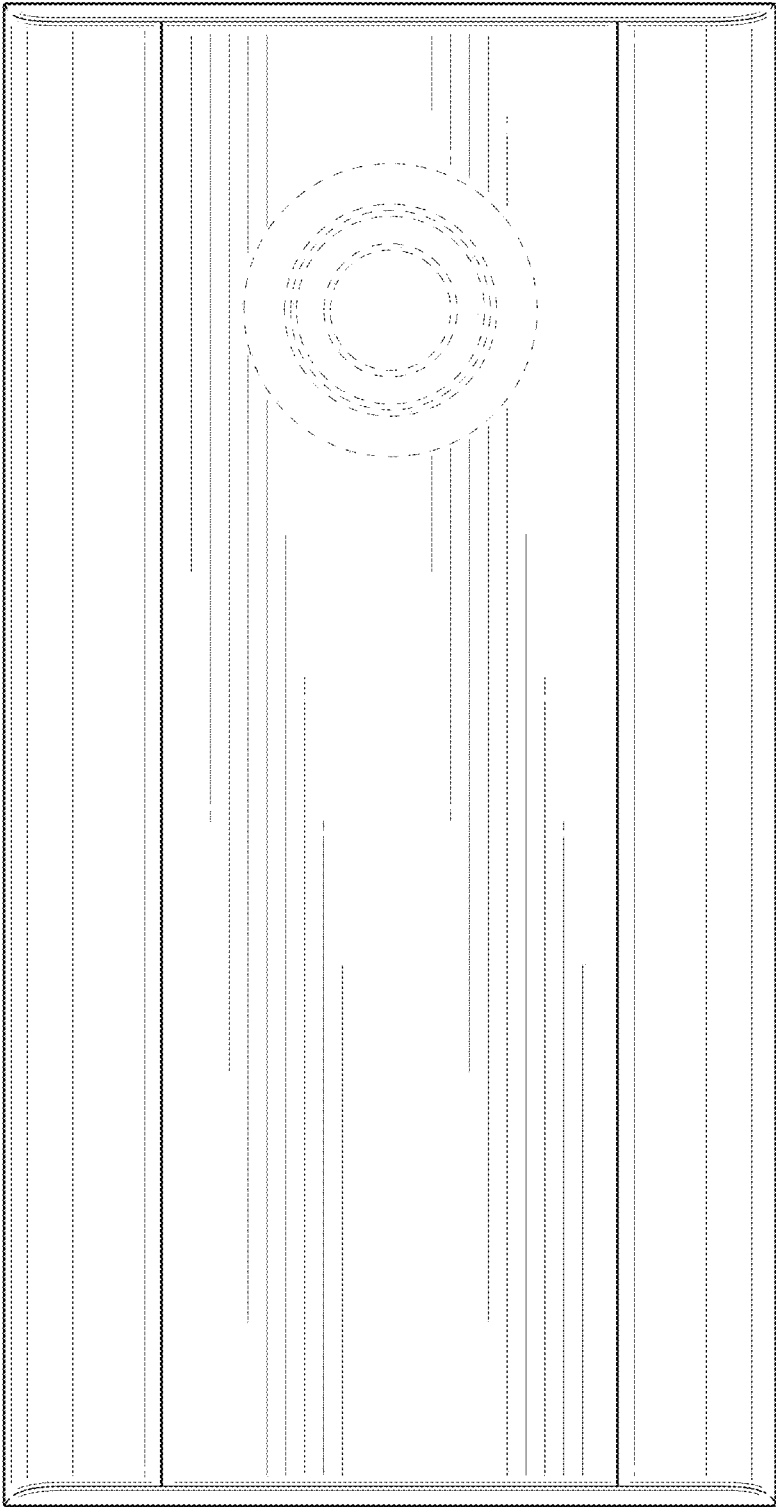


FIG. 4

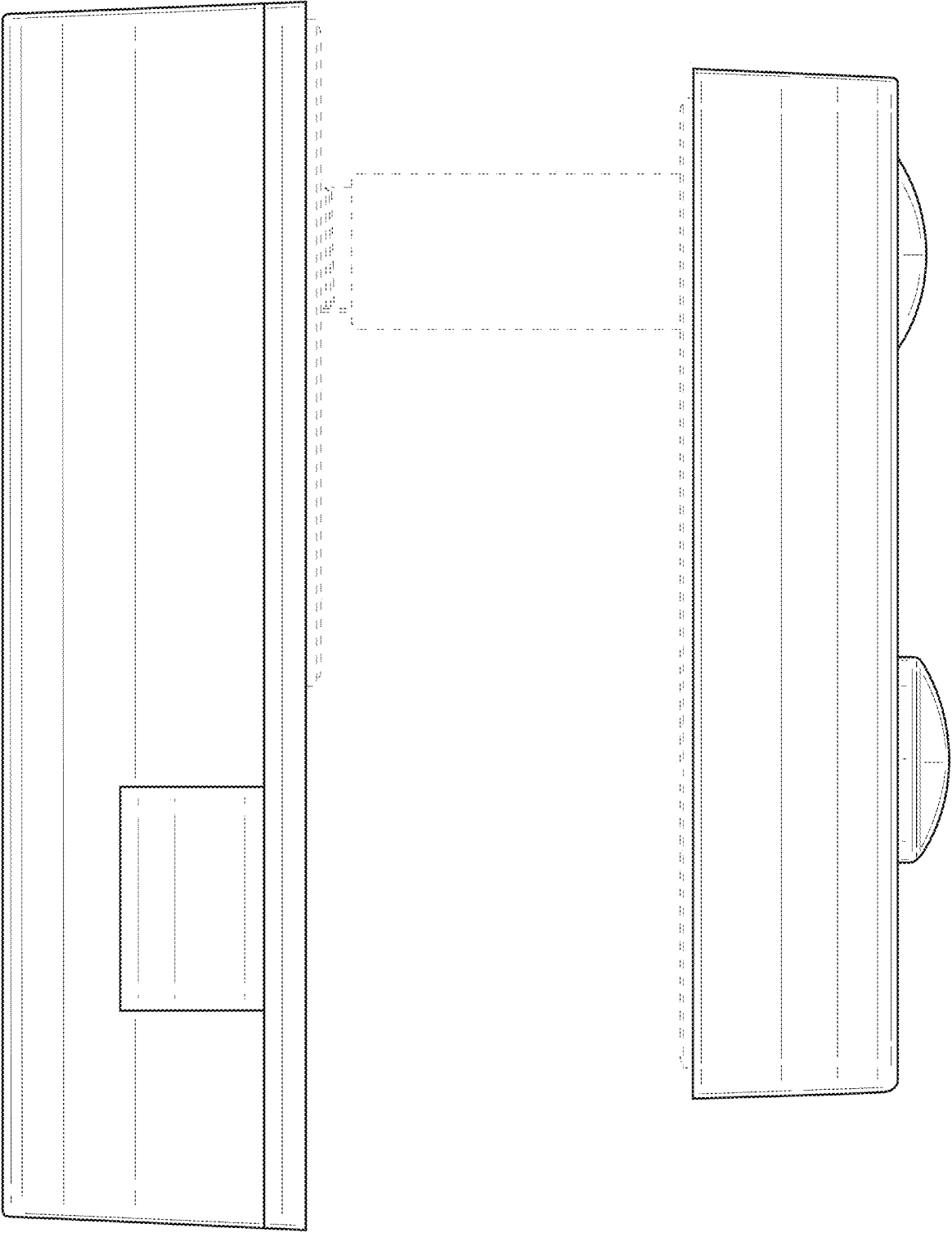


FIG. 5

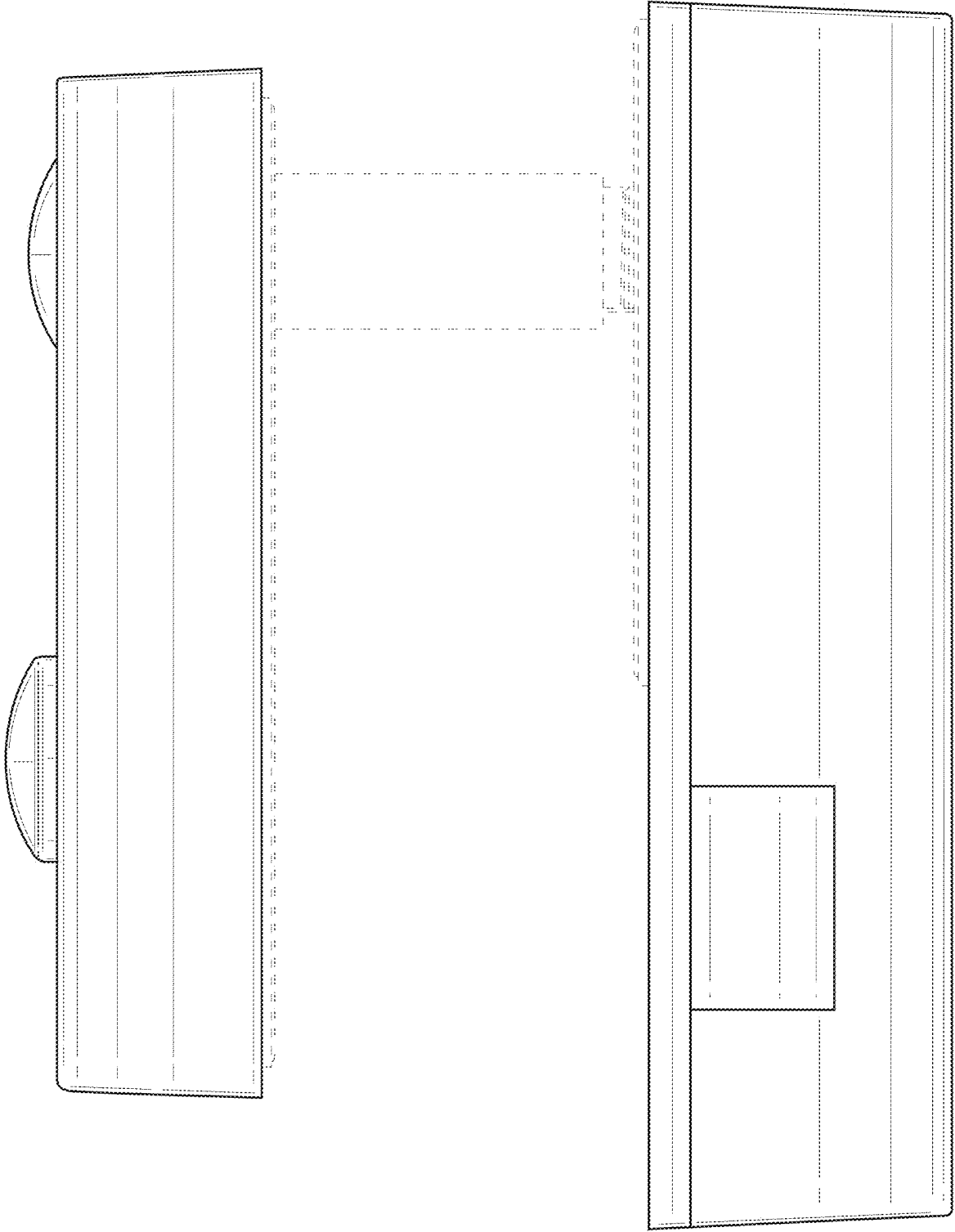


FIG. 6

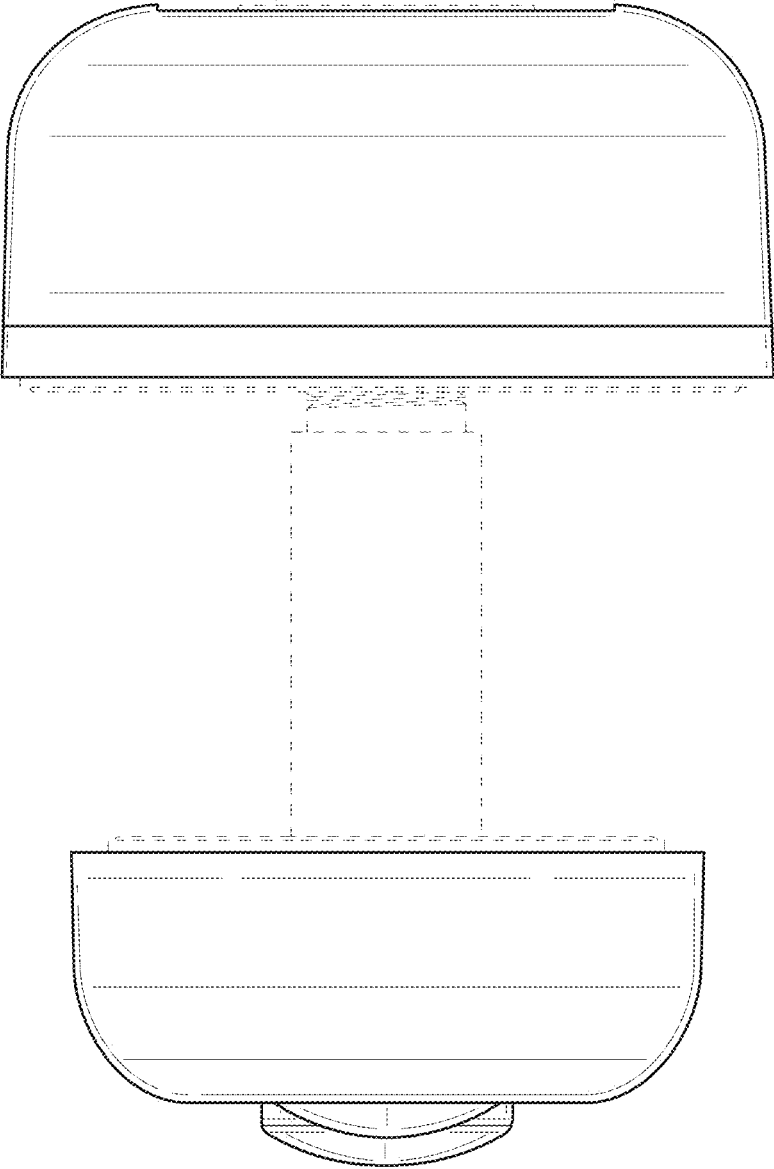


FIG. 7

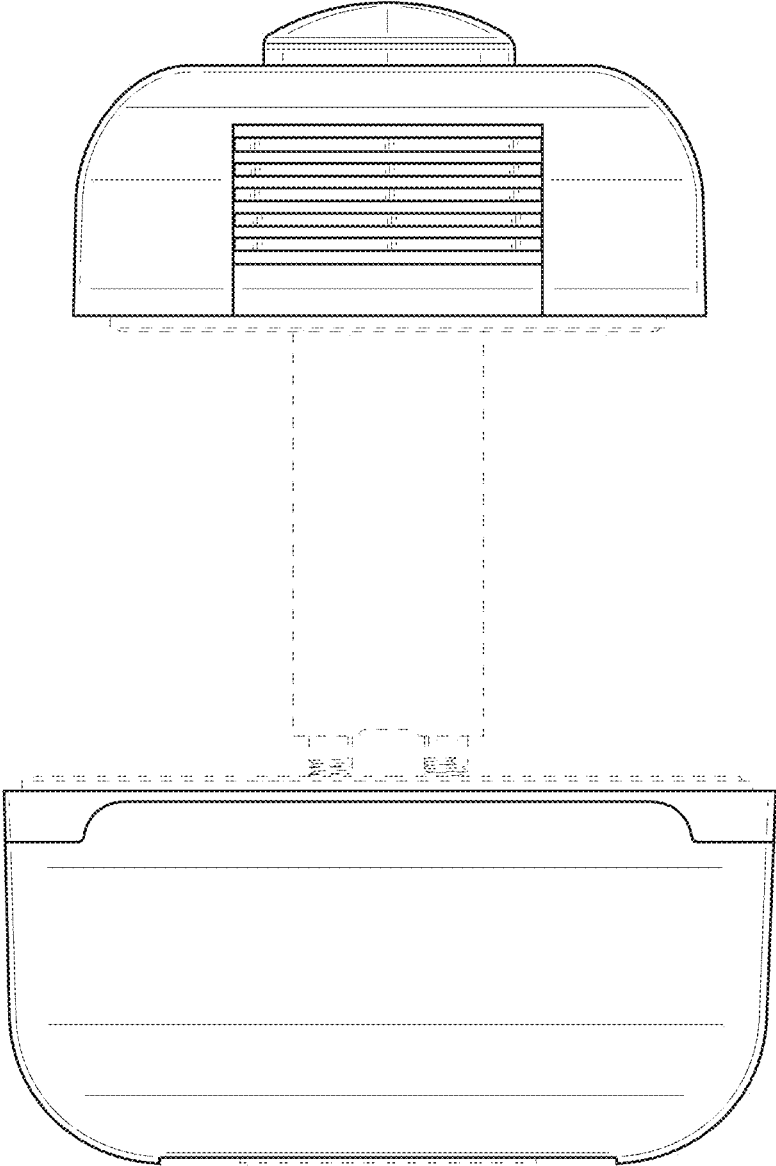


FIG. 8

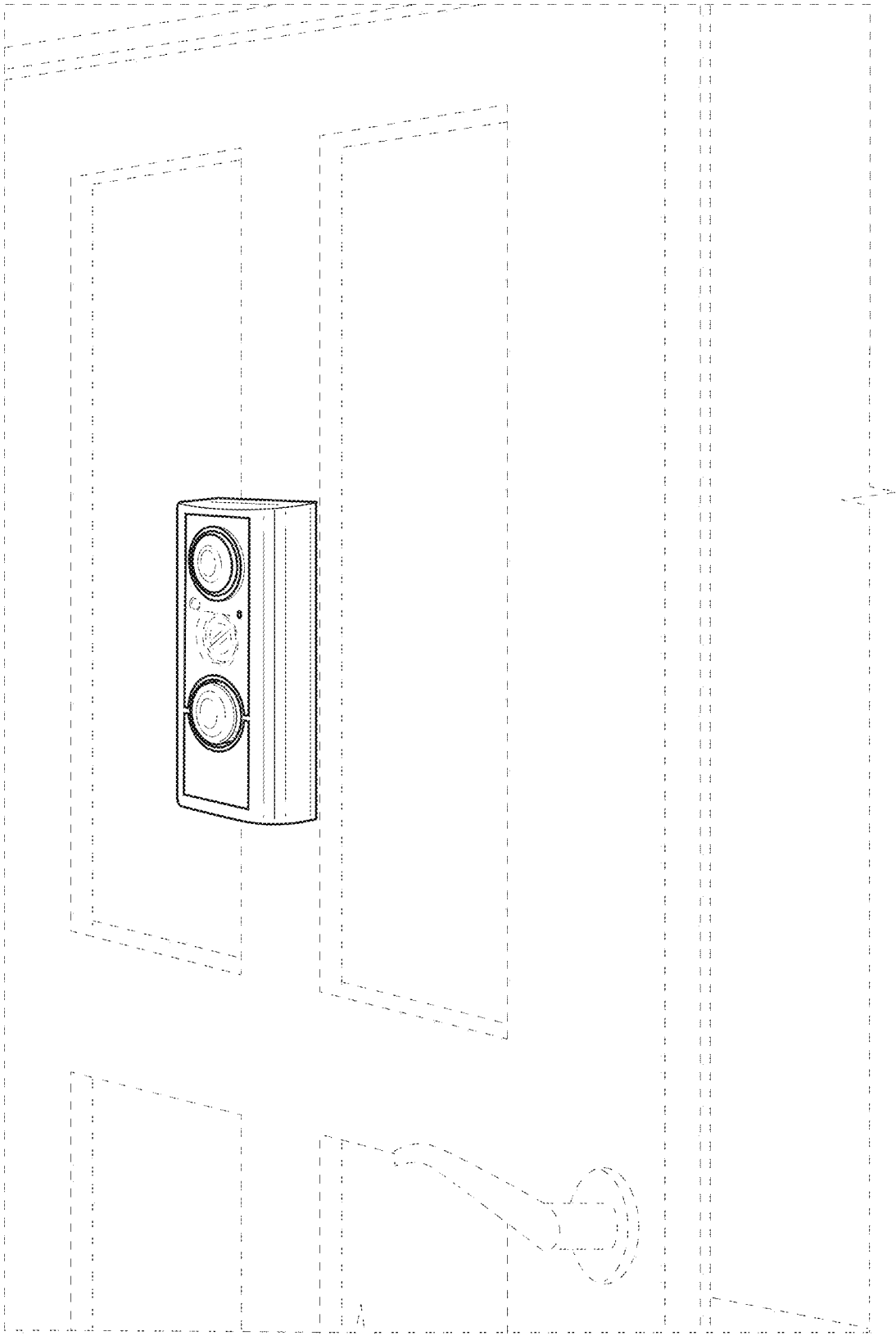


FIG. 9

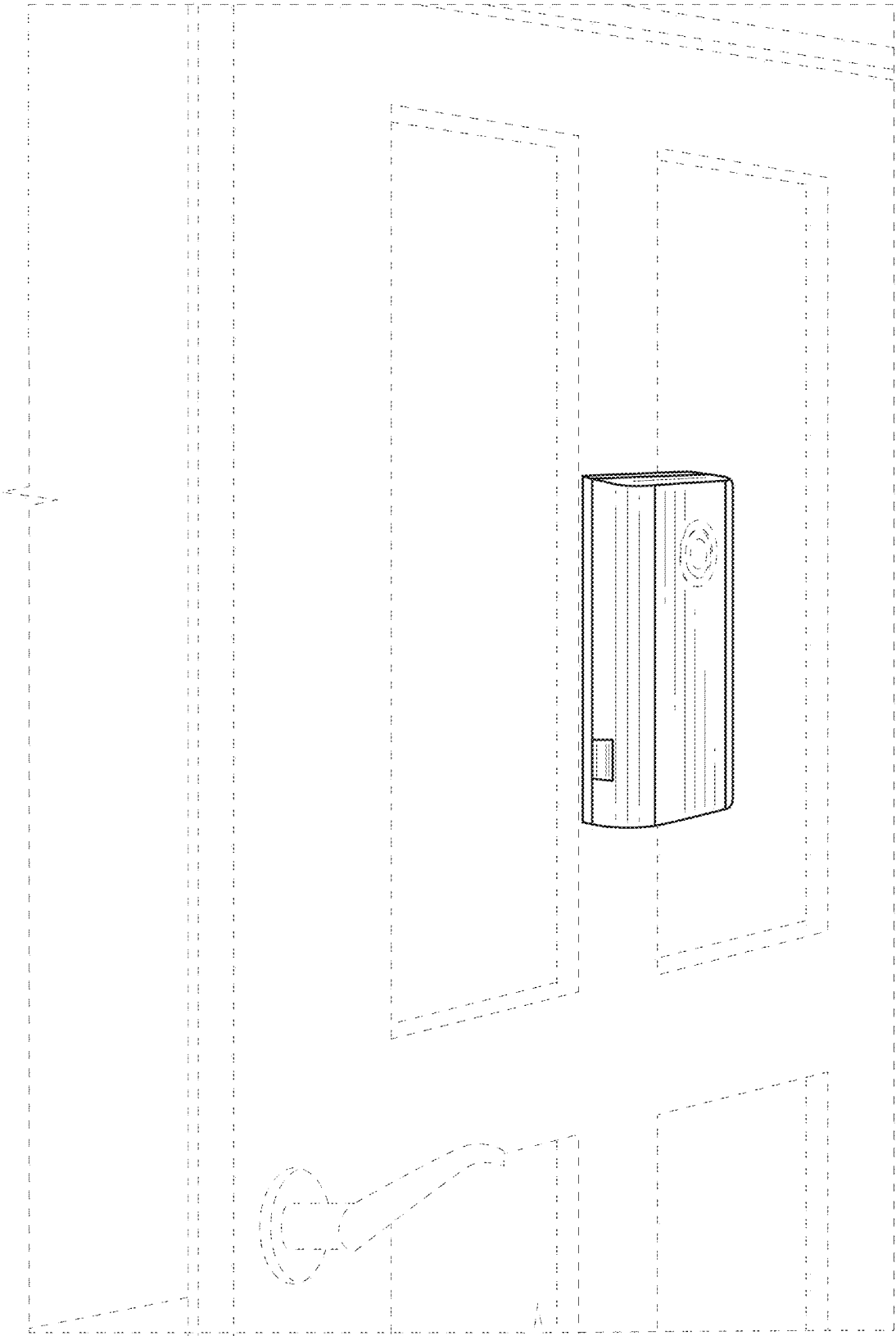


FIG. 10