



US0D1030559S

(12) **United States Design Patent**
Wass et al.

(10) **Patent No.:** **US D1,030,559 S**

(45) **Date of Patent:** **** Jun. 11, 2024**

- (54) **ELECTRIC MOTORCYCLE**
- (71) Applicant: **Stark Future SL**, Sitges (ES)
- (72) Inventors: **Anton Wass**, Sitges (ES); **Paul Soucy**, Canyelles (ES); **Jon Alvarez Biurrarena**, Barcelona (ES)
- (73) Assignee: **Stark Future SL**, Sitges (ES)
- (**) Term: **15 Years**
- (21) Appl. No.: **29/843,595**

D956,630	S *	7/2022	Ito	D12/110
D958,701	S *	7/2022	Tsuji	D12/110
11,453,457	B2 *	9/2022	Kugele	B62K 19/08
2013/0081894	A1 *	4/2013	Ishikawa	B62M 7/04
					180/220
2014/0305729	A1 *	10/2014	Testoni	B62J 43/16
					180/220
2014/0367184	A1 *	12/2014	Matsuda	B60L 50/51
					180/220
2015/0122568	A1 *	5/2015	Eguchi	B62K 11/04
					180/220
2018/0127055	A1 *	5/2018	Ranalli	B60K 7/0007
2020/0172196	A1 *	6/2020	Futamata	B62K 25/04
2021/0354774	A1 *	11/2021	Kugele	B62J 1/08

- (22) Filed: **Jun. 22, 2022**
- (51) **LOC (14) Cl.** **12-11**
- (52) **U.S. Cl.**
USPC **D12/110**
- (58) **Field of Classification Search**
USPC D12/110, 111, 117; D21/432, 538
CPC B62K 11/00; B62K 11/02; B62K 11/04;
B62K 11/10; B62K 17/00; B62K 19/00;
B62K 2202/00
See application file for complete search history.

OTHER PUBLICATIONS

“2020 Model Information—Kawasaki KLX230.” Kawasaki., Apr. 25, 2019 [online], [retrieved on Jan. 25, 2023]. Retrieved from the Internet <URL: https://kawasaki.co.nz/wp-content/uploads/2019/06/20_KLX230_Model-Information.pdf>.*

(Continued)

Primary Examiner — Darlington Ly
(74) *Attorney, Agent, or Firm* — Thomas Y. Kendrick;
Benjamin E. Kern; Kern Kendrick, LLC

(56) **References Cited**

U.S. PATENT DOCUMENTS

D724,496	S *	3/2015	Takeda	D12/110
D864,794	S *	10/2019	Waters	D12/110
D864,795	S *	10/2019	Waters	D12/110
D875,614	S *	2/2020	Akita	D12/110
D885,983	S *	6/2020	Ytterborn	D12/110
D890,033	S *	7/2020	Carducci	D12/110
D907,534	S *	1/2021	Ying	D12/110
D908,540	S *	1/2021	Akita	D12/110
D933,535	S *	10/2021	Petersson	D12/110
D933,536	S *	10/2021	Petersson	D12/110
D940,599	S *	1/2022	Chambers	D12/110
D950,422	S *	5/2022	Sondors	D12/110

(57) **CLAIM**

The ornamental design for an electric motorcycle, as shown and described.

DESCRIPTION

FIG. 1 is a front elevation view of an electric motorcycle; FIG. 2 is a left side elevation view thereof; FIG. 3 is a right side elevation view thereof; FIG. 4 is a bottom plan view thereof; FIG. 5 is a left upper perspective view thereof; and, FIG. 6 is a top plan view thereof.

1 Claim, 6 Drawing Sheets



(56)

References Cited

OTHER PUBLICATIONS

“2018 MX Bike Buyer’s Guide.” Dirt Bike Magazine., Jan. 2, 2018 [online], [retrieved on Jan. 25, 2023]. Retrieved from the Internet <URL: <https://dirtbikemagazine.com/2018-mx-bike-buyers-guide/>>.*

“DB10SA.” Tao Tao Motor., Oct. 20, 2020 [online], [retrieved on Jan. 25, 2023]. Retrieved from the Internet <URL: <http://www.taotaomotor.com/product/db10sa/>>.*

“Belgium has a new electric motorcycle brand | Trevor Motorcycles.” The Pack., Feb. 17, 2022 [online], [retrieved on Feb. 9, 2023]. Retrieved from the Internet <URL: <https://thepack.news/belgium-has-a-new-electric-motorcycle-brand-trevor-motorcycles/>>.*

“Good Clean Dirty Fun: Trevor DTRe Stella Electric Flat Track Motorcycle.” Autowise., Feb. 25, 2022 [online], [retrieved on Feb. 9, 2023]. Retrieved from the Internet <URL: <https://autowise.com/trevor-dtre-stella-flat-track-electric-motorcycle/>>.*

“The World’s Fastest Motocross Bike is now Electric—Stark Varg.” YouTube., Dec. 13, 2021 [online], [retrieved on Jan. 21, 2024]. Retrieved from the Internet <URL: (329) The World’s Fastest Motocross Bike is now Electric—Stark Varg—YouTube>.*

“Stark Varg.” Stark Future., Dec. 14, 2021 [online], [retrieved on Jan. 21, 2024]. Retrieved from the Internet <URL: <https://starkfuture.com/products/stark-varg/>>.*

* cited by examiner

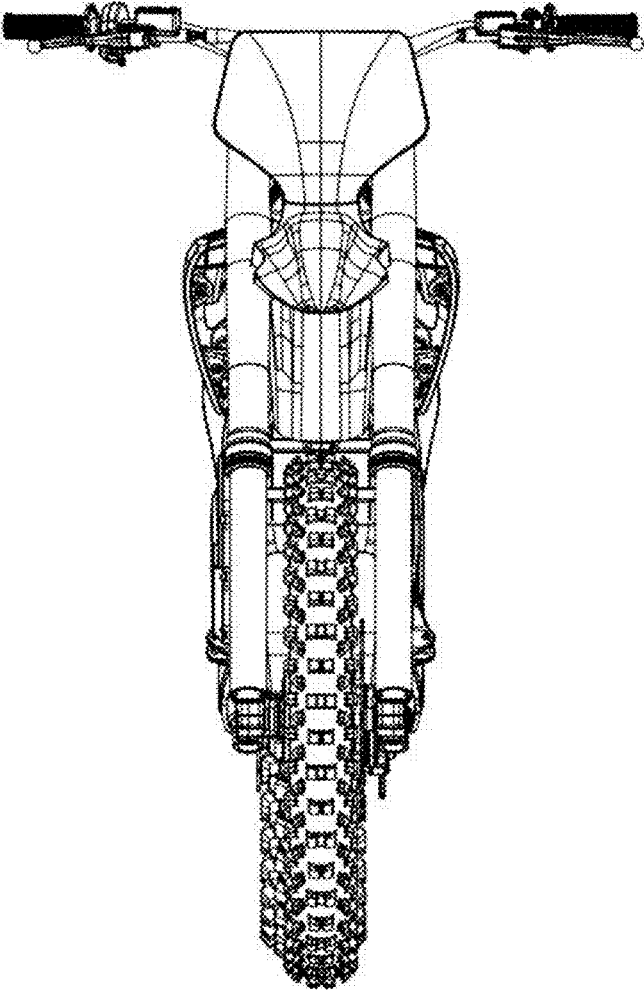


FIG. 1

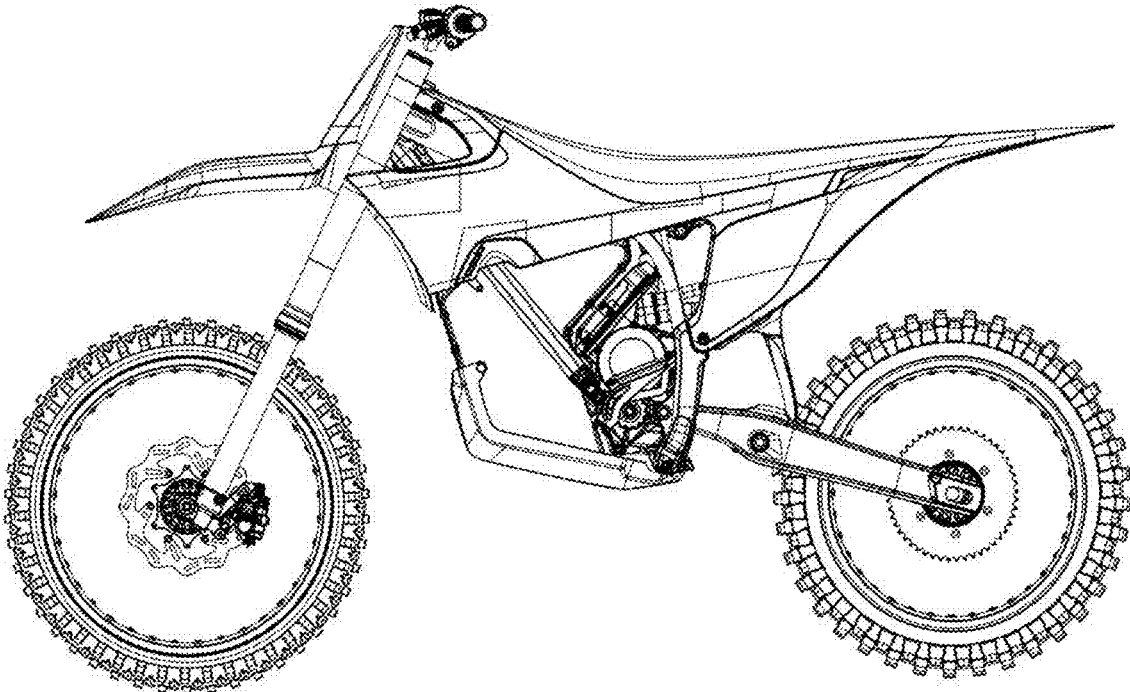


FIG. 2

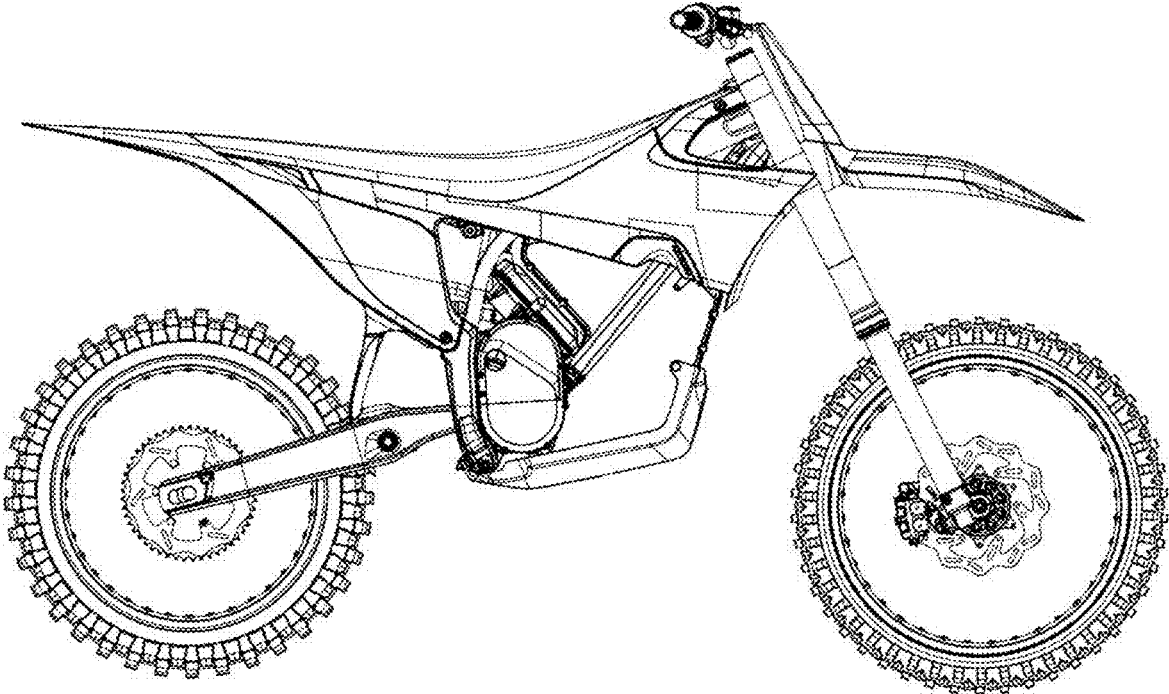


FIG. 3

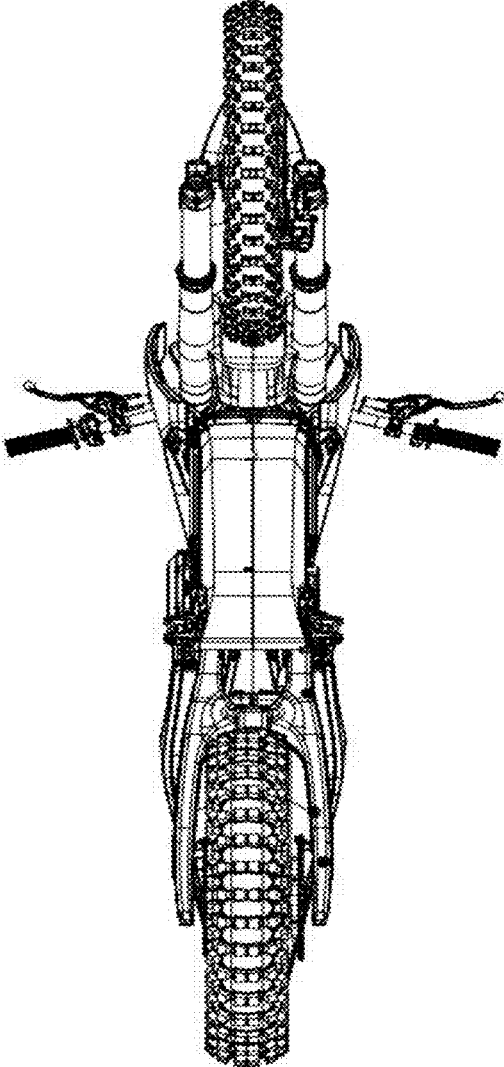


FIG. 4



FIG. 5

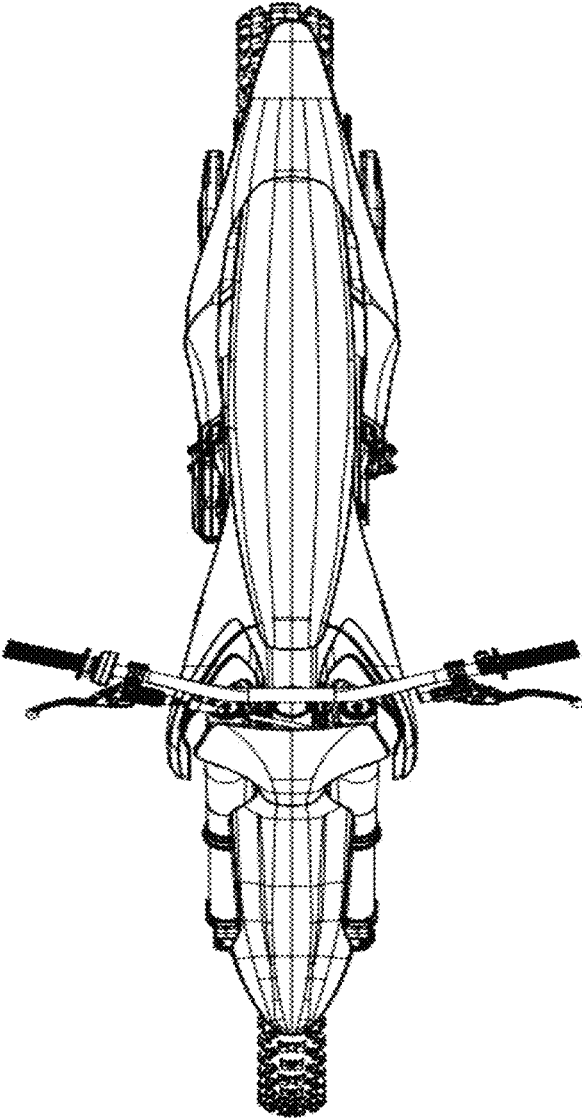


FIG. 6