



US00D864150S

(12) **United States Design Patent**  
**Kim**

(10) **Patent No.:** **US D864,150 S**

(45) **Date of Patent:** **\*\* Oct. 22, 2019**

(54) **SPEAKER**

(71) Applicants: **NAVER Corporation**, Seongnam-si,  
Gyeonggi-do (KR); **LINE Corporation**,  
Shinjuku-ku, Tokyo (JP)

(72) Inventor: **Seung Woo Kim**, Seongnam-si (KR)

(73) Assignees: **Naver Corporation**, Gyeonggi-do  
(KR); **Line Corporation**, Tokyo (JP)

(\*\*) Term: **15 Years**

(21) Appl. No.: **29/606,045**

(22) Filed: **Jun. 1, 2017**

(51) **LOC (12) Cl.** ..... **14-01**

(52) **U.S. Cl.**  
USPC ..... **D14/204**

(58) **Field of Classification Search**

USPC ..... D14/137, 167, 168, 170–172, 188, 204,  
D14/209.1, 210–216, 219, 221, 222, 224;  
181/144, 148, 153, 157, 198; 369/6–12;  
381/301–303, 306, 332, 334, 336, 345,  
381/361–363, 386–388; D7/584, 585,  
D7/678; D16/101  
CPC ..... G06F 1/1688; H04R 1/02; H04R 1/025;  
H04R 1/026; H04R 1/323; H04R 1/403;  
H04R 1/2803; H04R 1/2834; H04R 5/02;  
H04R 9/06; H04R 2201/021; H04R  
2400/00; H04R 2400/07; H04R 2499/11  
See application file for complete search history.

(56) **References Cited**

**U.S. PATENT DOCUMENTS**

D97,442 S \* 11/1935 Slobodkin ..... 220/574  
D430,546 S \* 9/2000 Gibson ..... D10/104.1  
D514,570 S \* 2/2006 Ohta ..... D14/384  
D537,072 S \* 2/2007 Kim ..... D14/215

D542,273 S \* 5/2007 Park ..... D14/215  
D619,994 S \* 7/2010 Chen ..... D14/216  
D663,880 S \* 7/2012 Janssen ..... D26/74

(Continued)

**OTHER PUBLICATIONS**

Boom Swimmer Duo—Dirt, Shock, Waterproof Bluetooth Speaker,  
announced Sep. 2015, [online], site visited Jun. 6, 2018. Available  
from Internet, URL: <http://www.amazon.com> (Year: 2015).\*

(Continued)

*Primary Examiner* — Derrick E Holland

*Assistant Examiner* — Janice Patyk

(74) *Attorney, Agent, or Firm* — Harness, Dickey &  
Pierce, P.L.C.

(57) **CLAIM**

The ornamental design for a speaker, as shown and  
described.

**DESCRIPTION**

FIG. 1 is a perspective view of a speaker, showing my new  
design.

FIG. 2 is a front view of the speaker shown in FIG. 1.

FIG. 3 is a back view of the speaker shown in FIG. 1.

FIG. 4 is a left view of the speaker shown in FIG. 1.

FIG. 5 is a right view of the speaker shown in FIG. 1.

FIG. 6 is a top view of the speaker shown in FIG. 1.

FIG. 7 is a bottom view of the speaker shown in FIG. 1; and,  
FIG. 8 is a partially enlarged view of the speaker, taken from  
FIG. 1.

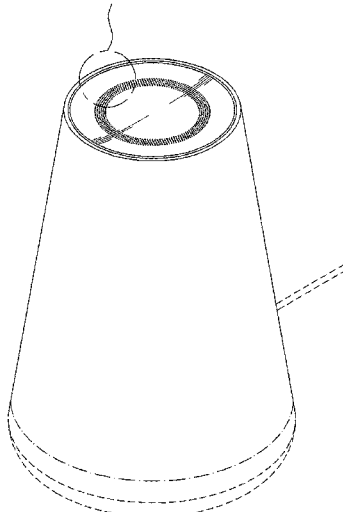
The circular dot-dash broken lines of FIGS. 1 and 8 are  
included to show a partially enlarged view only and form no  
part of the claimed design.

The dot-dash broken lines immediately adjacent to the  
claimed areas in the views in FIGS. 1-6 represent the  
boundaries of the design and form no part thereof.

None of the broken lines form any part of the claimed  
design.

**1 Claim, 8 Drawing Sheets**

FIG. 8



(56)

**References Cited**

U.S. PATENT DOCUMENTS

D671,580 S \* 11/2012 Fahy ..... D16/101  
D699,241 S \* 2/2014 Moors ..... D14/356

OTHER PUBLICATIONS

House of Marley, Chant Mini Bluetooth Portable Wireless Speaker, announced Jun. 2015, [online], site visited Jun. 6, 2018. Available from Internet, URL: <http://www.amazon.com> (Year: 2015).\*

Klipsch Reference R-10SW 10" 300w Powered Subwoofer, announced Aug. 2014, [online], site visited Jun. 6, 2018. Available from Internet, URL: <http://www.amazon.com> (Year: 2014).\*

Merlintoools Divided Index Plate, announced Sep. 14, 2014, [online], site visited Nov. 14, 2018. Available from Internet, URL: <http://www.amazon.ca> (Year: 2014).\*

\* cited by examiner

FIG. 1

FIG. 8

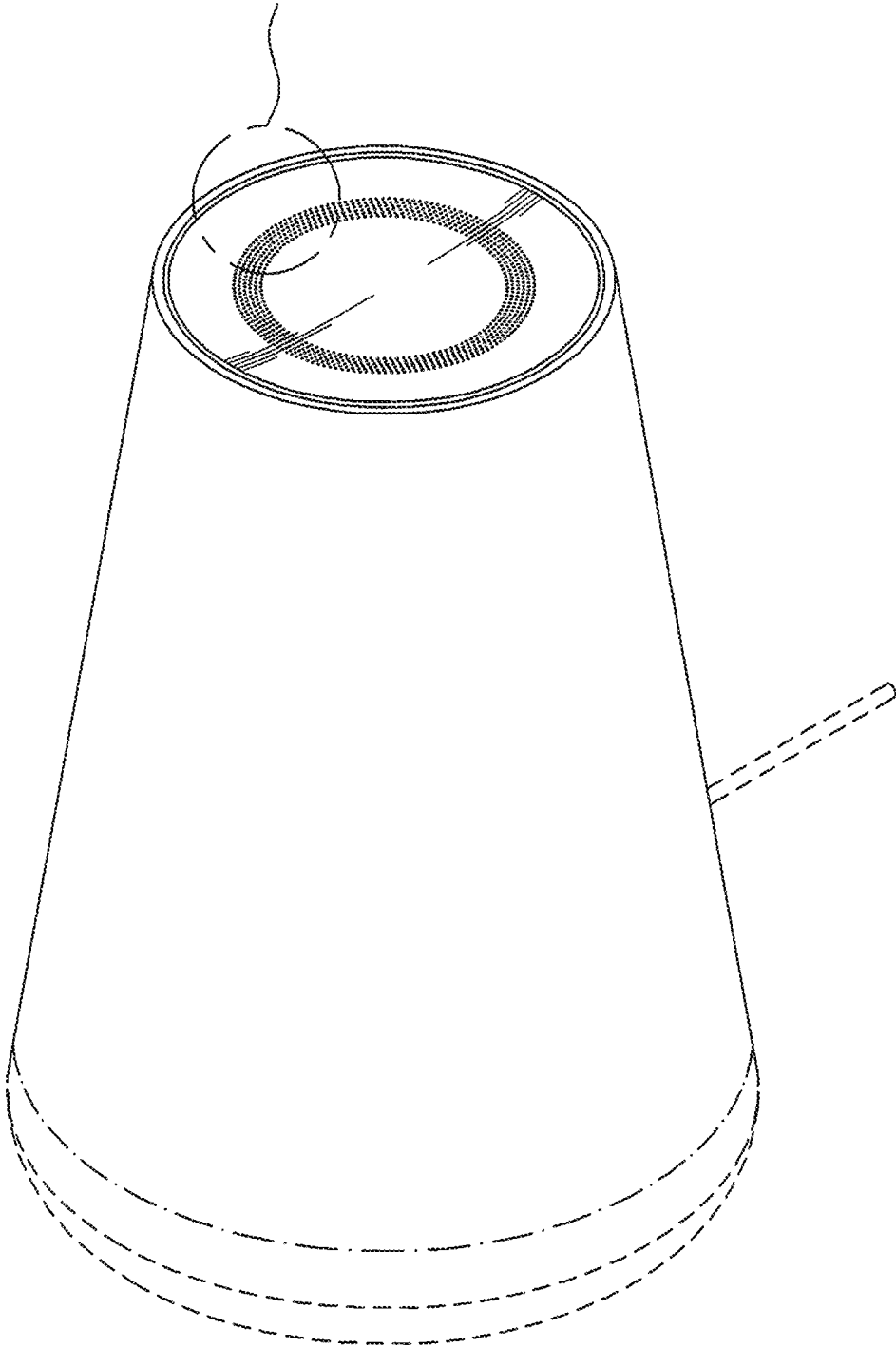


FIG. 2

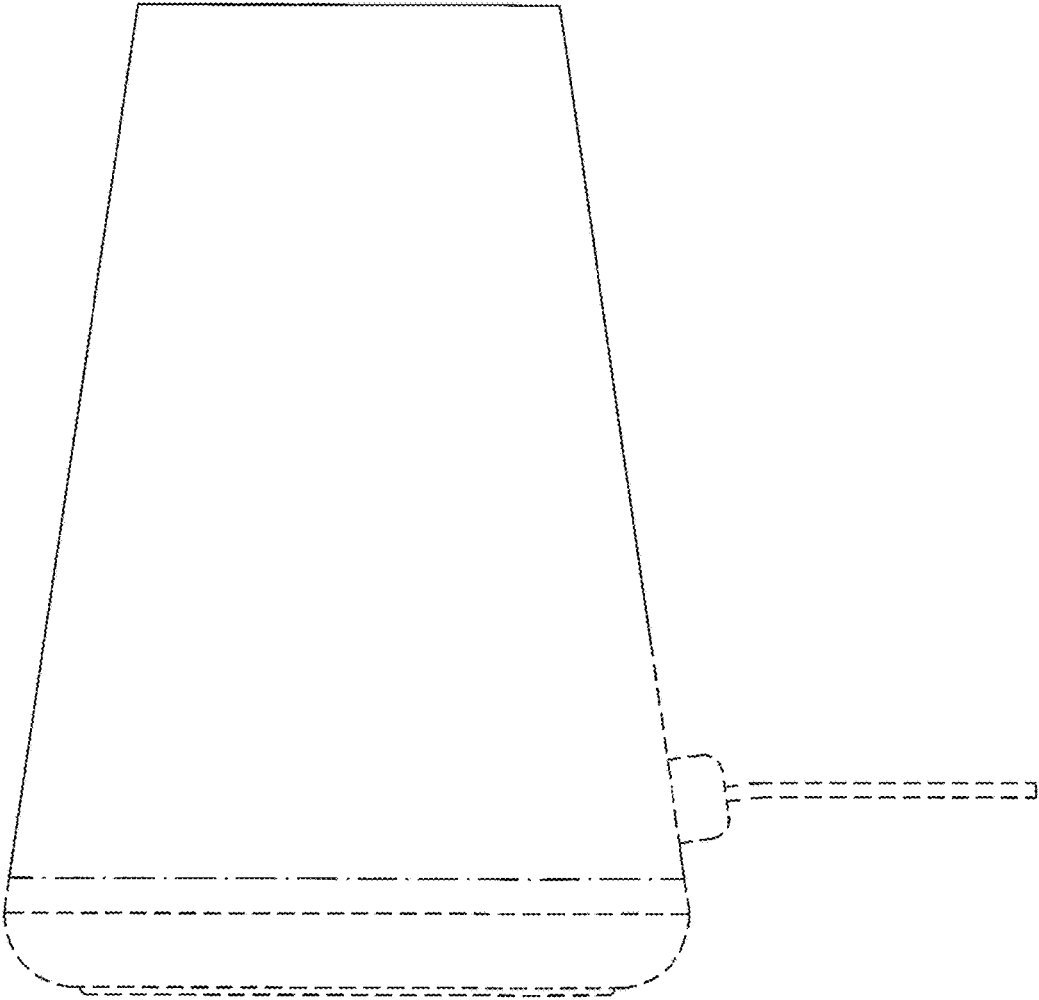


FIG. 3

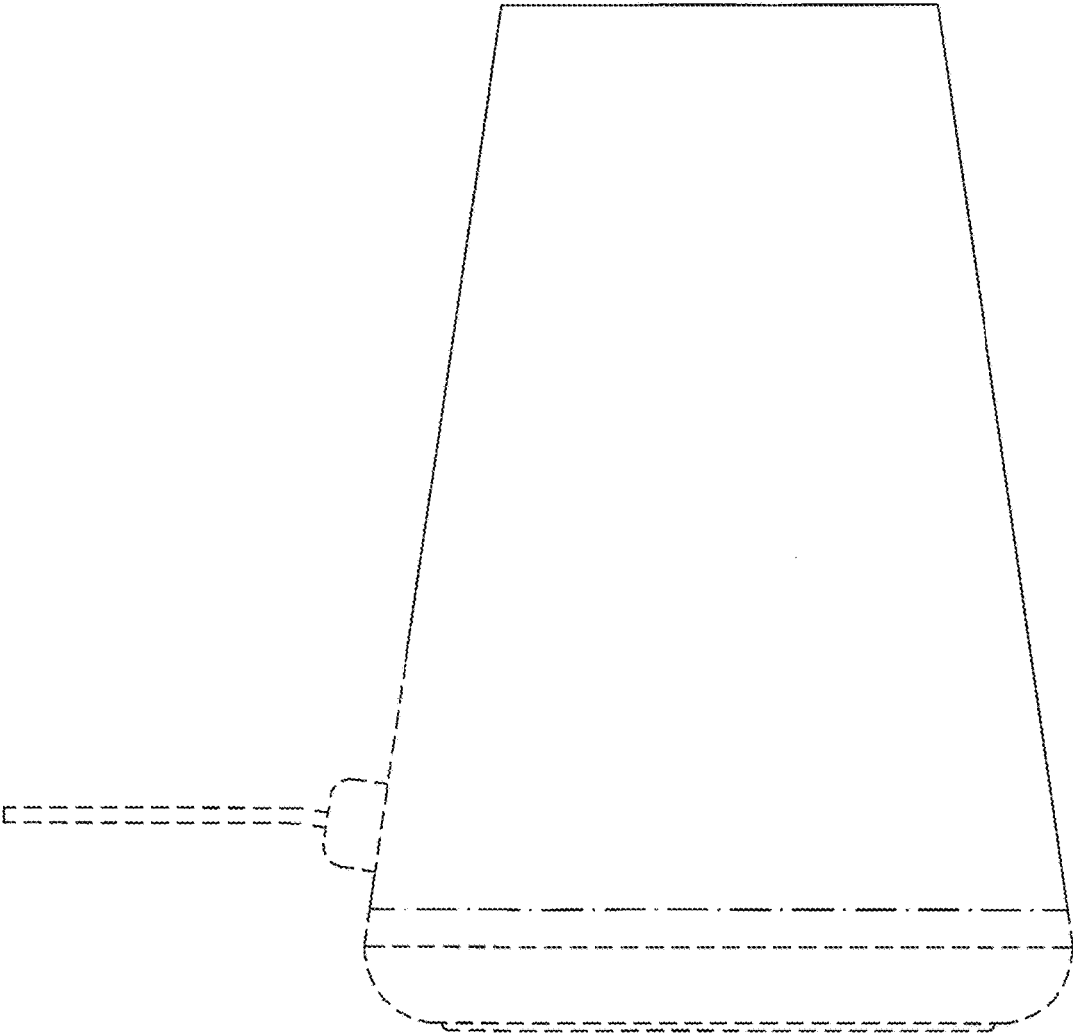


FIG. 4

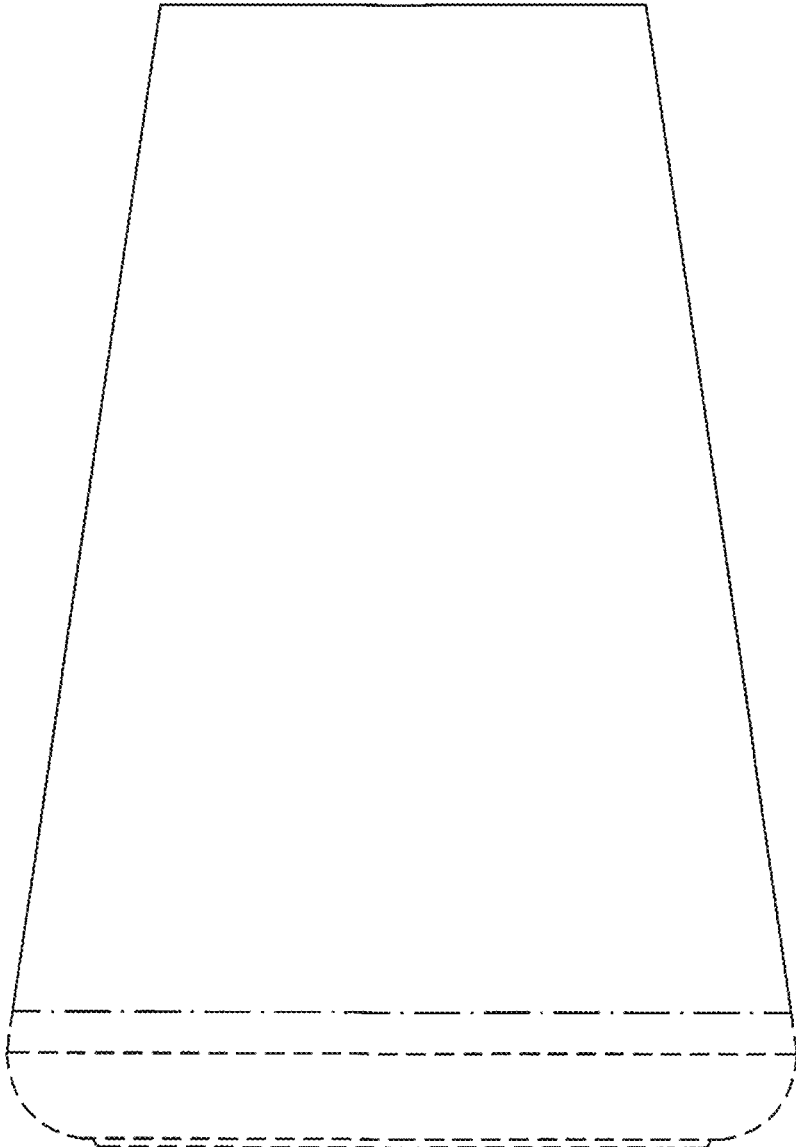


FIG. 5

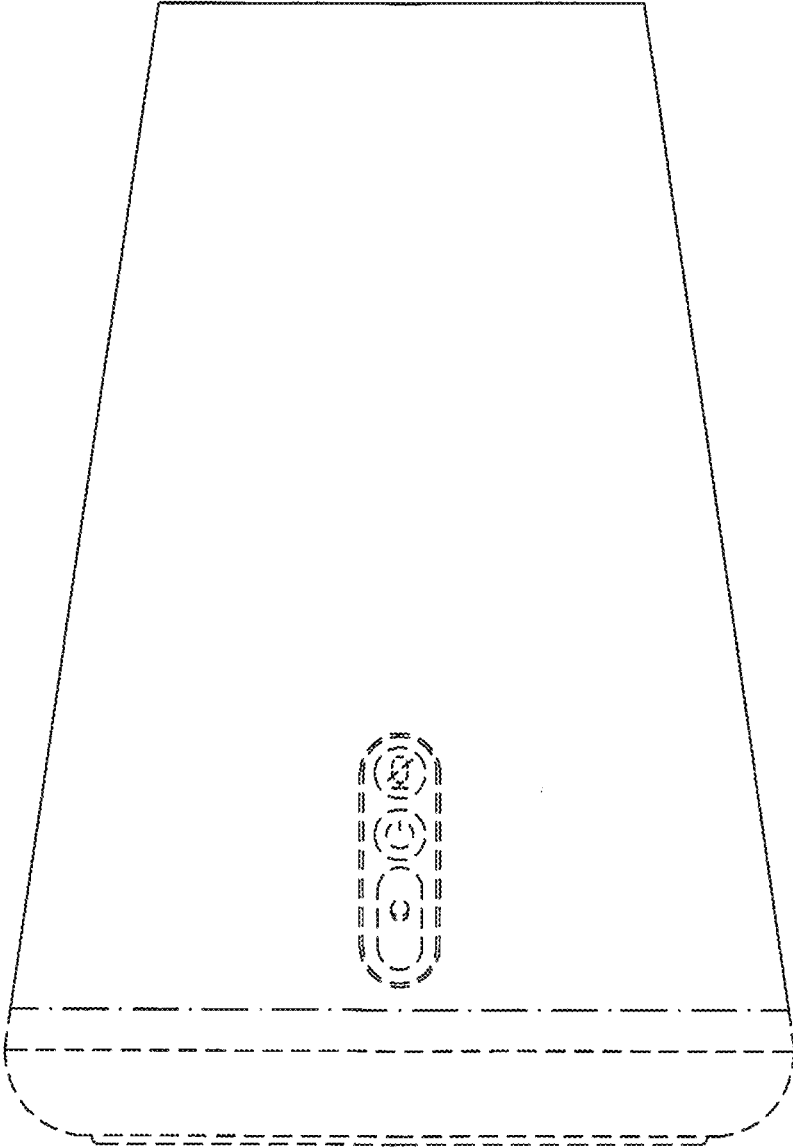


FIG. 6

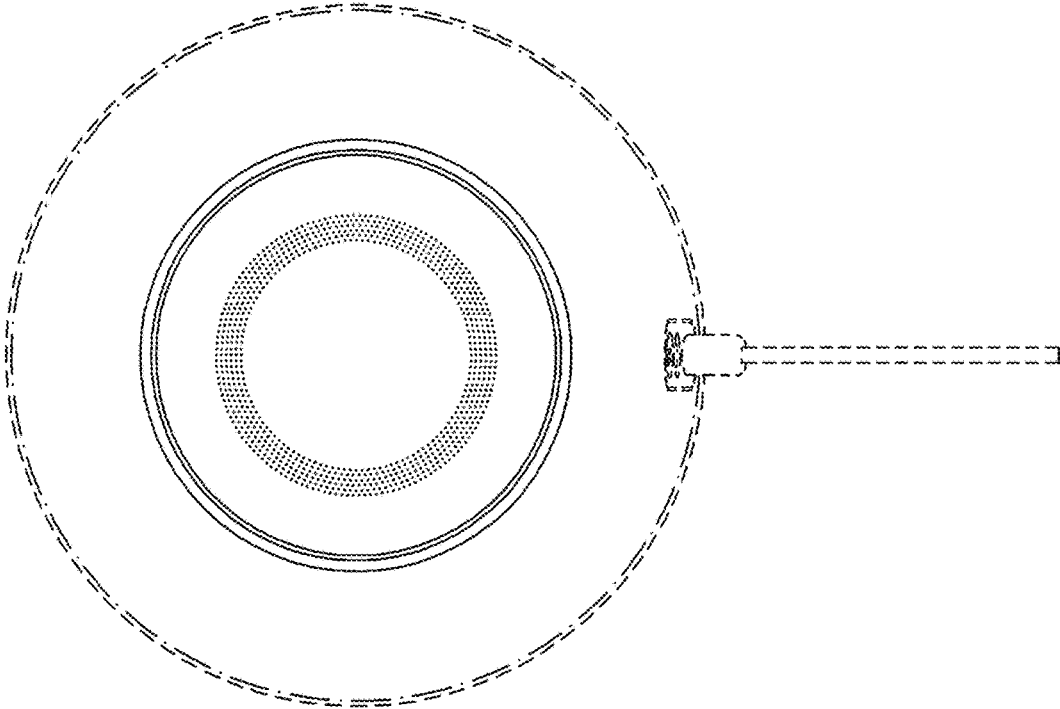




FIG. 7

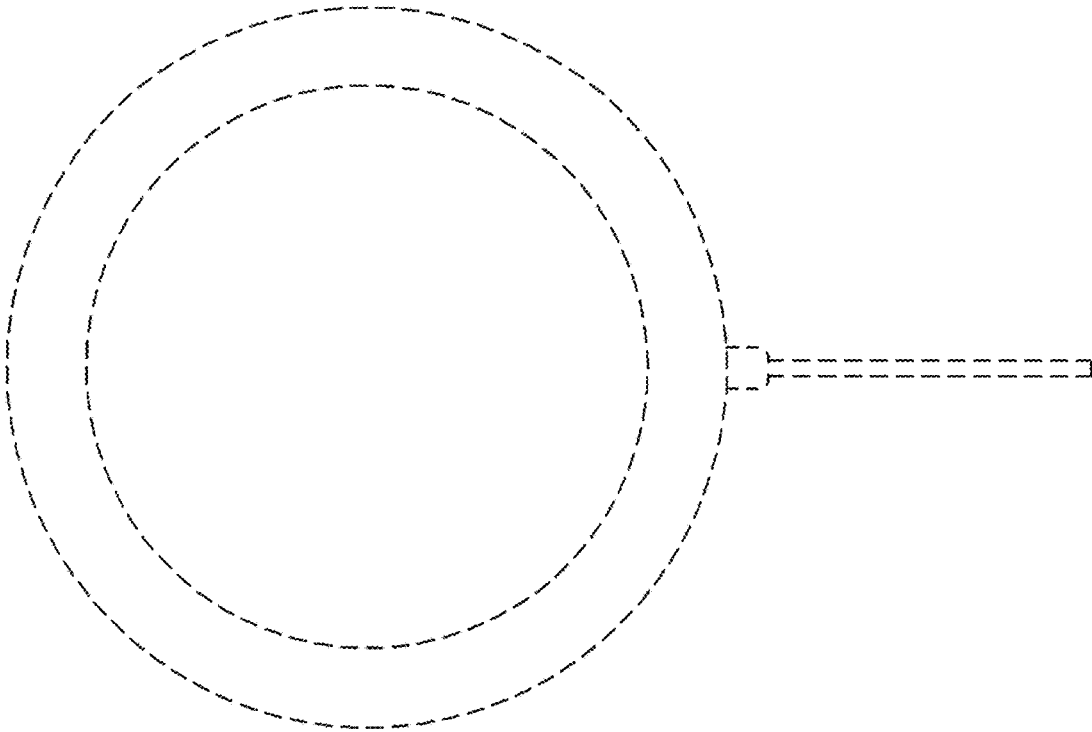


FIG. 8

