



US00D528196S

(12) **United States Design Patent**
Paredes et al.

(10) **Patent No.:** **US D528,196 S**

(45) **Date of Patent:** **** *Sep. 12, 2006**

(54) **SINK DECK**

(75) Inventors: **Raul M. Paredes**, Kohler, WI (US);
David J. O'Connell, Sheboygan, WI (US)

(73) Assignee: **Kohler Co.**, Kohler, WI (US)

(*) Notice: This patent is subject to a terminal disclaimer.

(**) Term: **14 Years**

(21) Appl. No.: **29/219,064**

(22) Filed: **Dec. 10, 2004**

(51) **LOC (8) Cl.** **23-02**

(52) **U.S. Cl.** **D23/308**

(58) **Field of Classification Search** D23/270–273,
D23/284–287, 292–293.1, 303, 290, 308;
4/662–666, 619, 637–642, 661
See application file for complete search history.

(56) **References Cited**

U.S. PATENT DOCUMENTS

D324,264 S	2/1992	Sauter et al.	
D362,901 S	10/1995	Dannenberg et al.	
D398,970 S	* 9/1998	Gardner et al.	D23/290
D402,358 S	* 12/1998	Bonnell	D23/290
D426,624 S	6/2000	Kohler, Jr. et al.	
D431,286 S	9/2000	Kohler, Jr. et al.	

OTHER PUBLICATIONS

Unknown manufacturer, Stainless Steel Undermount Sinks, Undermount Double-Basin Sink, UCL3322, Undermount Double-Basin Sink, UCL3322R.

Blanco website page, Nov. 17, 2004, irawoodinc.com, Plumbing & More Superstore, Blanco 501–108 BlancoSpex 1½ Bowl Undermount.

* cited by examiner

Primary Examiner—Robert A. Delehanty

(74) *Attorney, Agent, or Firm*—Quarles & Brady LLP

(57) **CLAIM**

The ornamental design for a sink deck, as shown and described.

DESCRIPTION

In a preferred embodiment, the nature of this product is as a plumbing fixture, preferably a kitchen sink or portion thereof.

FIG. 1 is a right, top, front perspective view of an embodiment of my new design, in the form of a deck for a sink;

FIG. 2 is a top plan view thereof;

FIG. 3 is a front elevational view thereof, the rear elevational view thereof being a mirror image of the front view shown;

FIG. 4 is a right side elevational view thereof;

FIG. 5 is a left side elevational view thereof;

FIG. 6 is a bottom plan view thereof;

FIG. 7 is a partial sectional view taken along line 7–7 of FIG. 2; and,

FIG. 8 is a left, top, front perspective view of another embodiment a sink deck according to my new design, the top plan, front elevational, rear elevational, right side elevational, left side elevational and bottom plan views being mirror images of those disclosed in FIGS. 1–6 and the accompanying description.

The broken line representations of openings, such as faucet mount openings and/or drain openings, in FIGS. 1–6 and 8, of underside deck structure in FIG. 6, and one or two basins in FIGS. 1–6 are for the purpose of illustration only, and form no part of the claimed design.

1 Claim, 4 Drawing Sheets

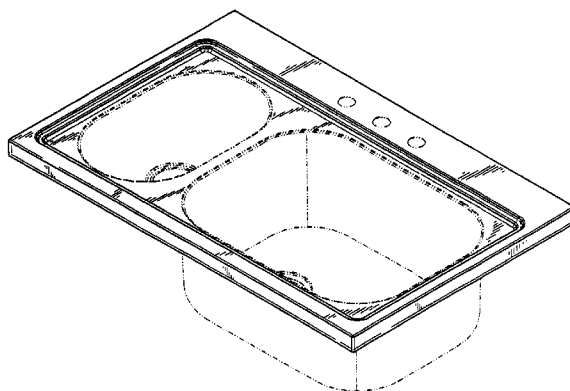


FIG. 1

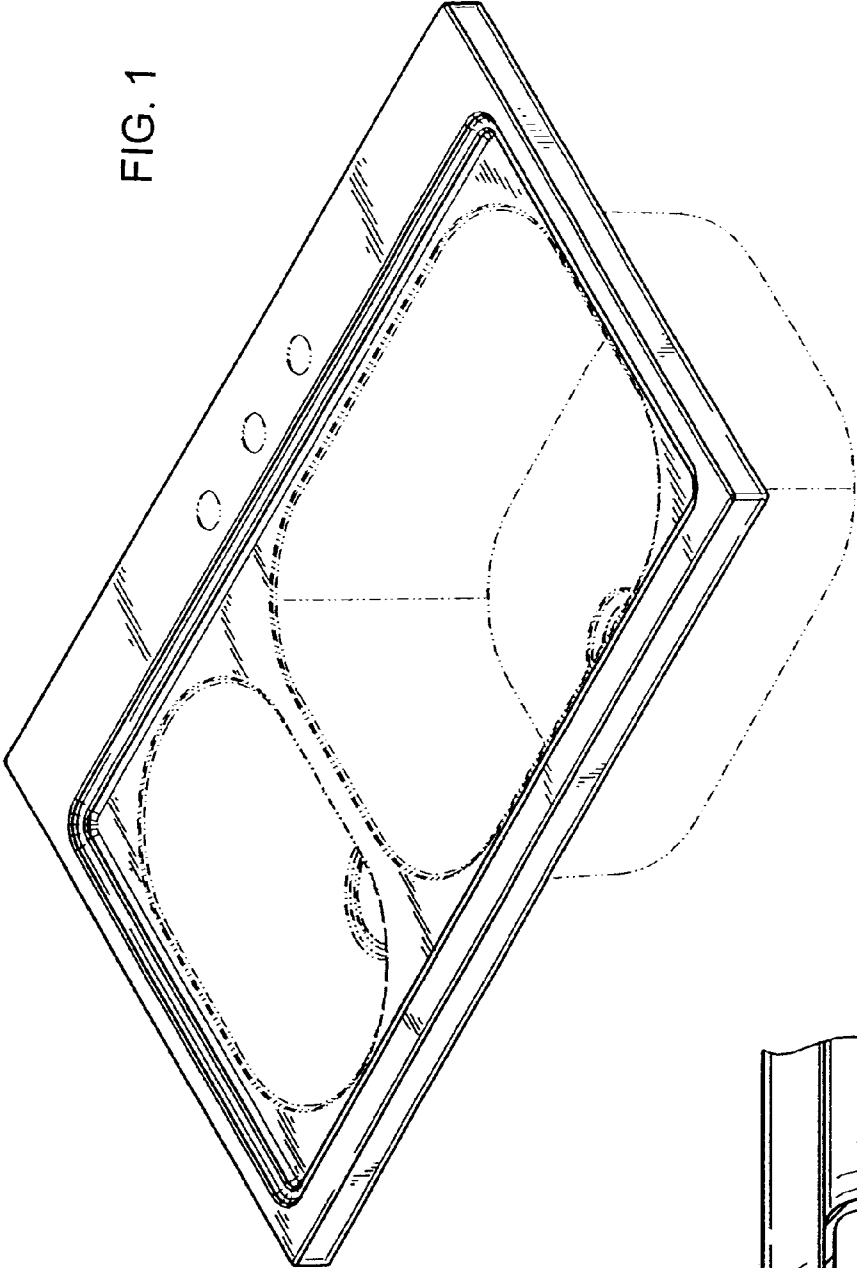
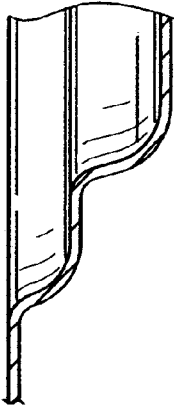


FIG. 7



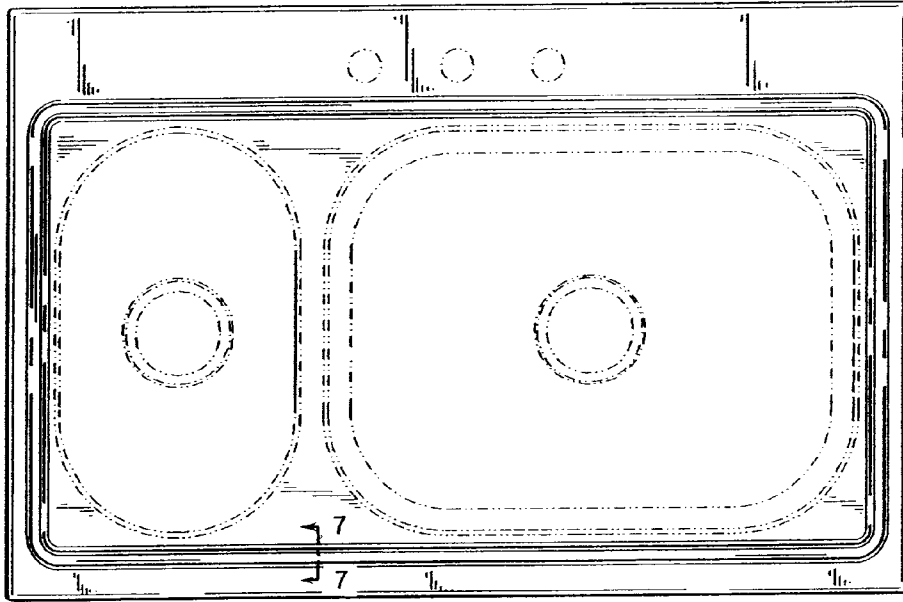


FIG. 2

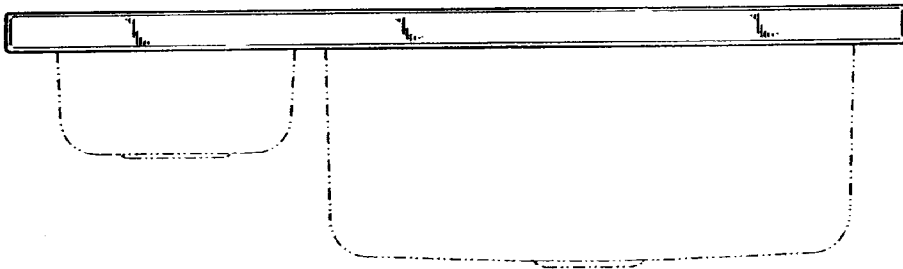


FIG. 3

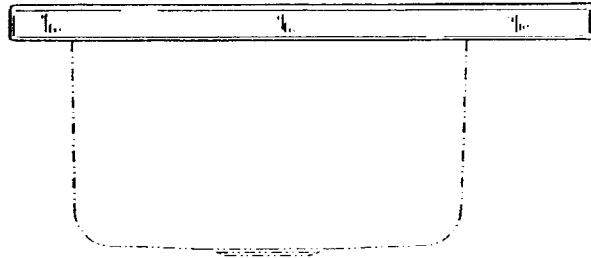


FIG. 4

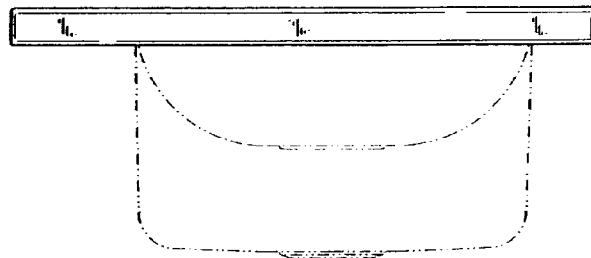
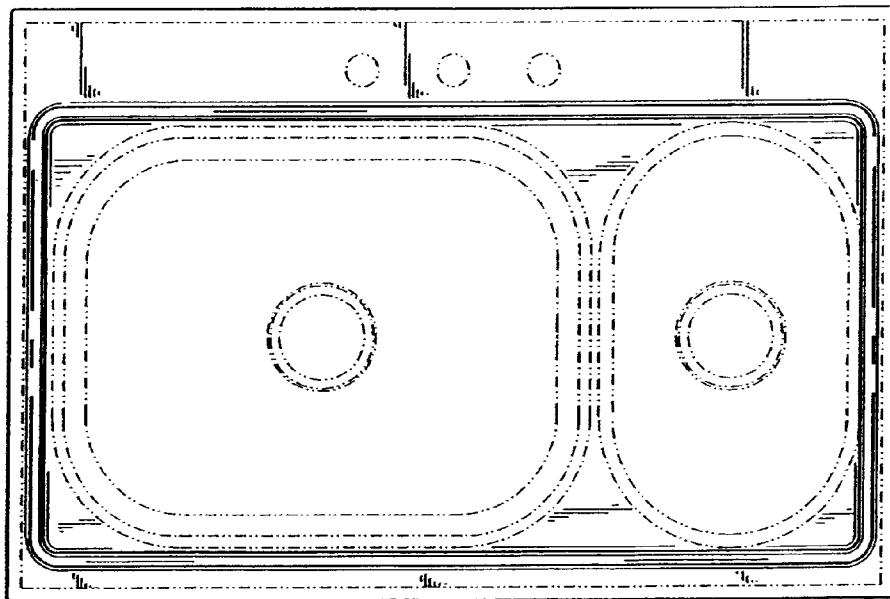


FIG. 5

FIG. 6



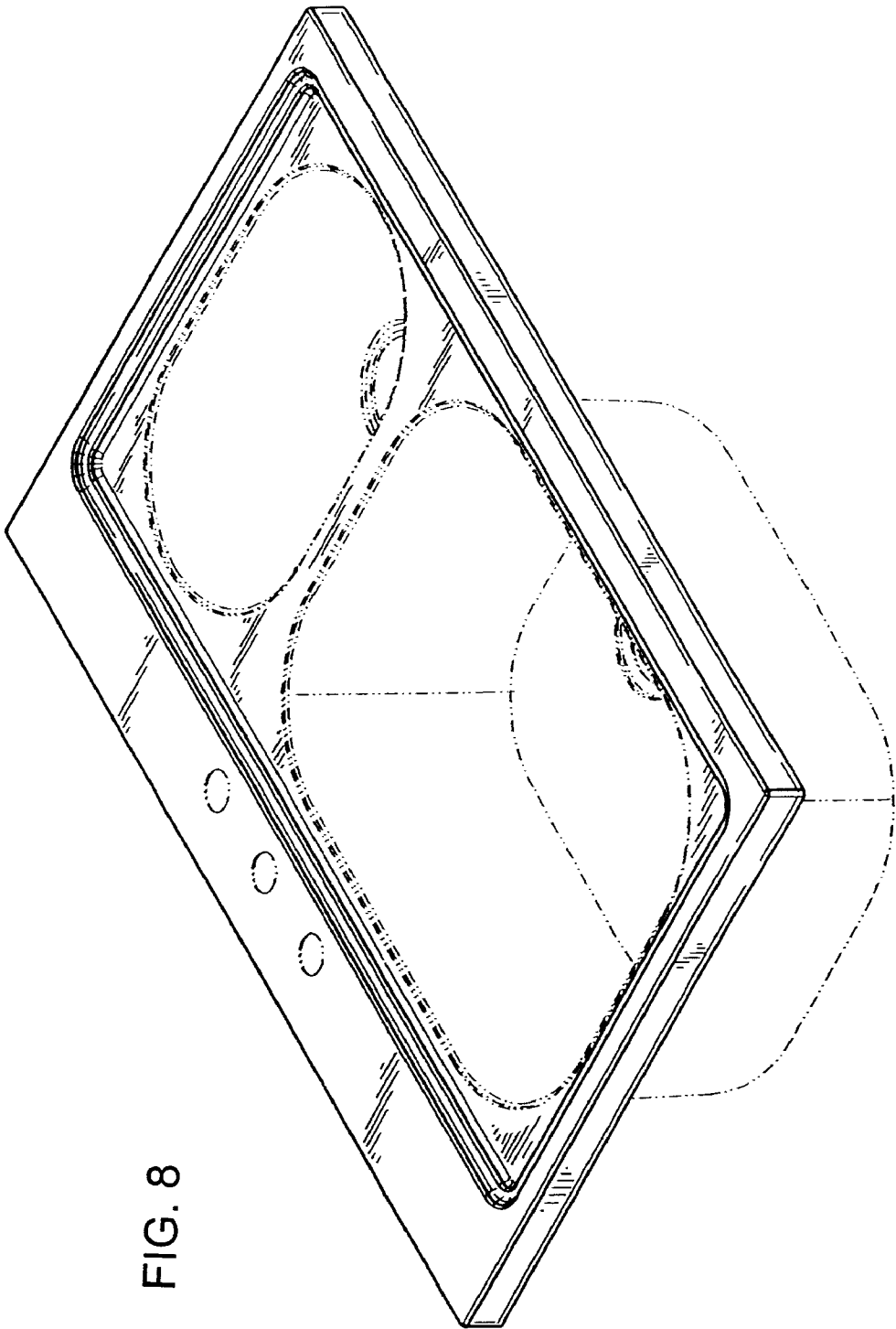


FIG. 8