



US00D739673S

(12) **United States Design Patent**
Johnson et al.

(10) **Patent No.:** **US D739,673 S**

(45) **Date of Patent:** **** Sep. 29, 2015**

(54) **NAME PLATE FOR A TABLE TOP**

2002/0152650 A1* 10/2002 Reeves 40/1.5
2011/0047838 A1* 3/2011 Peterson et al. 40/1.5
2013/0133380 A1* 5/2013 Will 70/15

(71) Applicant: **LIFETIME PRODUCTS, INC.**,
Clearfield, UT (US)

OTHER PUBLICATIONS

(72) Inventors: **Mitch Johnson**, South Weber, UT (US);
Frank Clegg, Fruit Heights, UT (US);
Wendell Peery, Kaysville, UT (US)

U.S. Appl. No. 29/460,287, filed Jul. 9, 2013, Johnson, et al.
U.S. Appl. No. 29/460,289, filed Jul. 9, 2013, Johnson, et al.
U.S. Appl. No. 29/460,290, filed Jul. 9, 2013, Johnson, et al.

(73) Assignee: **LIFETIME PRODUCTS, INC.**,
Clearfield, UT (US)

* cited by examiner

(**) Term: **14 Years**

Primary Examiner — Janice Seeger

(21) Appl. No.: **29/460,286**

(74) *Attorney, Agent, or Firm* — Maschoff Brennan

(22) Filed: **Jul. 9, 2013**

(57) **CLAIM**

The ornamental design for name plate for a table top, as shown and described.

(51) **LOC (10) Cl.** **06-06**

(52) **U.S. Cl.**
USPC **D6/707.24; D20/22**

(58) **Field of Classification Search**
USPC D6/691, 691.6, 707, 707.17, 707.19,
D6/707.24; 108/115, 129, 132, 159.12;
D20/22–28, 99; D18/24, 30
See application file for complete search history.

DESCRIPTION

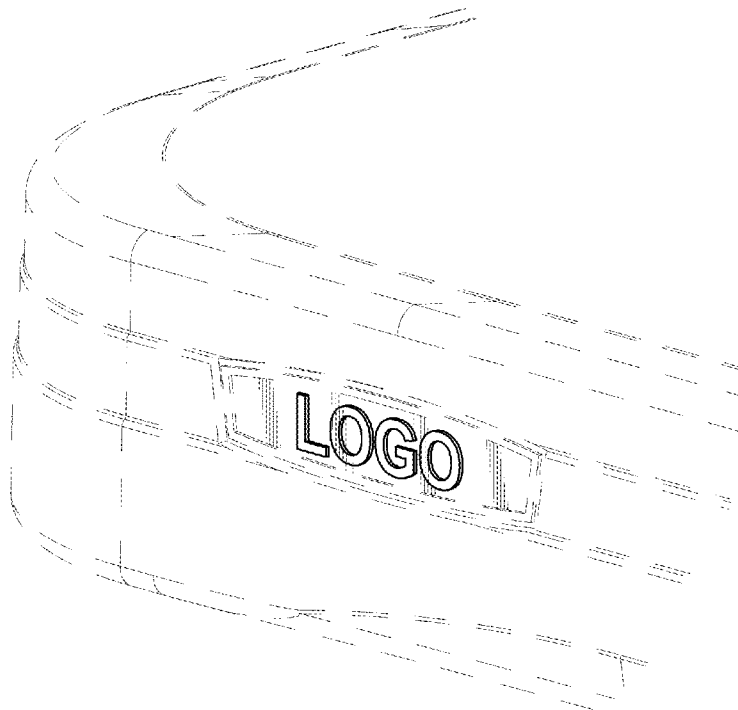
FIG. 1 is an upper perspective view of an embodiment of the placement of a logo on a table top;
FIG. 2 is an enlarged perspective view of the placement of a logo on a table top shown in FIG. 1, as illustrated by line 2 in FIG. 1;
FIG. 3 is a front view of the placement of a logo on a table top shown in FIG. 1;
FIG. 4 is a rear view of the placement of a logo on a table top shown in FIG. 1; and,
FIG. 5 is an enlarged front view of the placement of a logo on a table top shown in FIG. 1.
The broken lines shown in the figures are for illustrative purposes only and form no part of the claimed design.

(56) **References Cited**

U.S. PATENT DOCUMENTS

D500,807 S * 1/2005 Noell et al. D20/27
D625,758 S * 10/2010 Brown et al. D20/28
D643,069 S * 8/2011 Mallozzi et al. D20/22

1 Claim, 5 Drawing Sheets



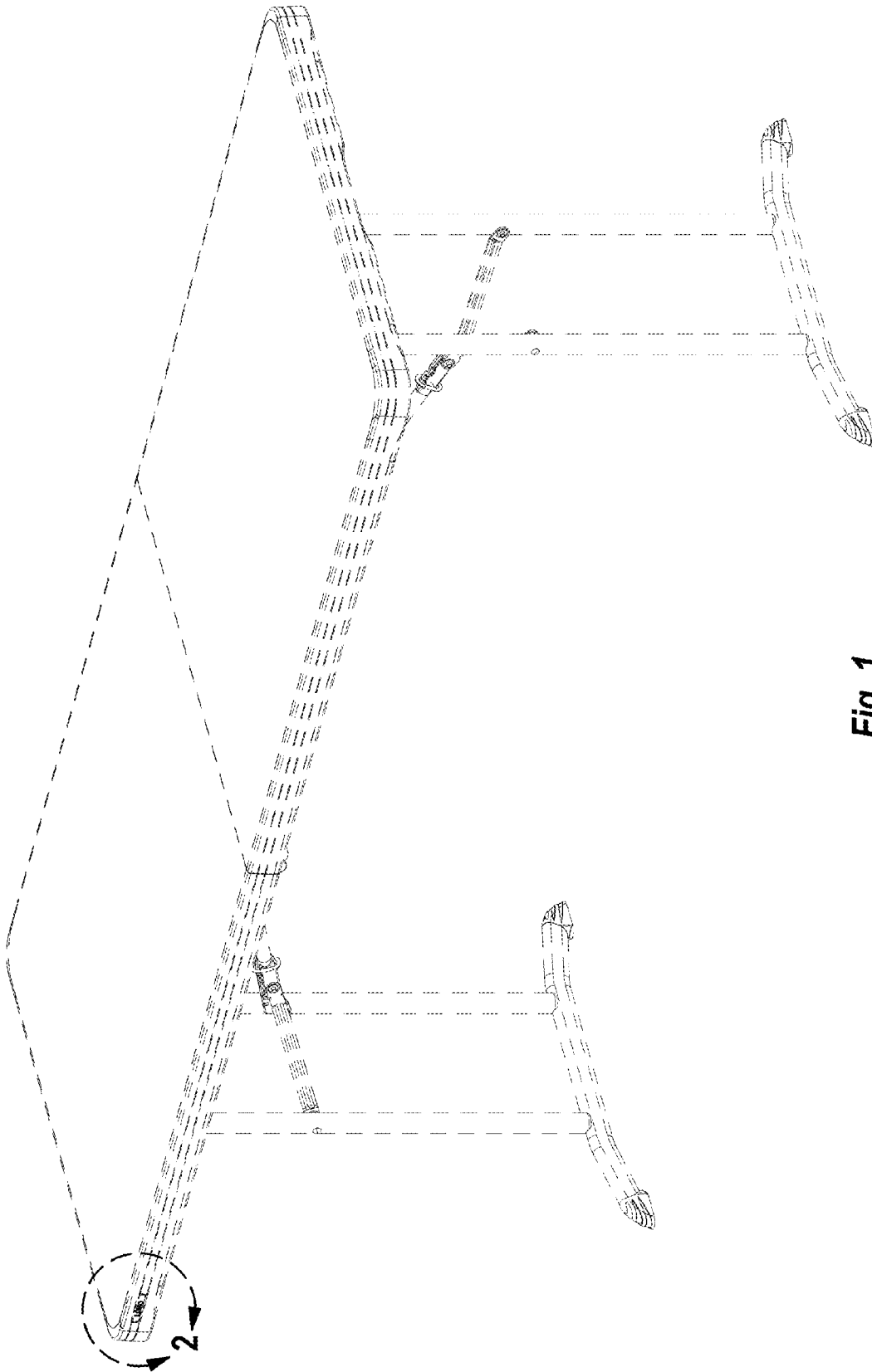


Fig. 1

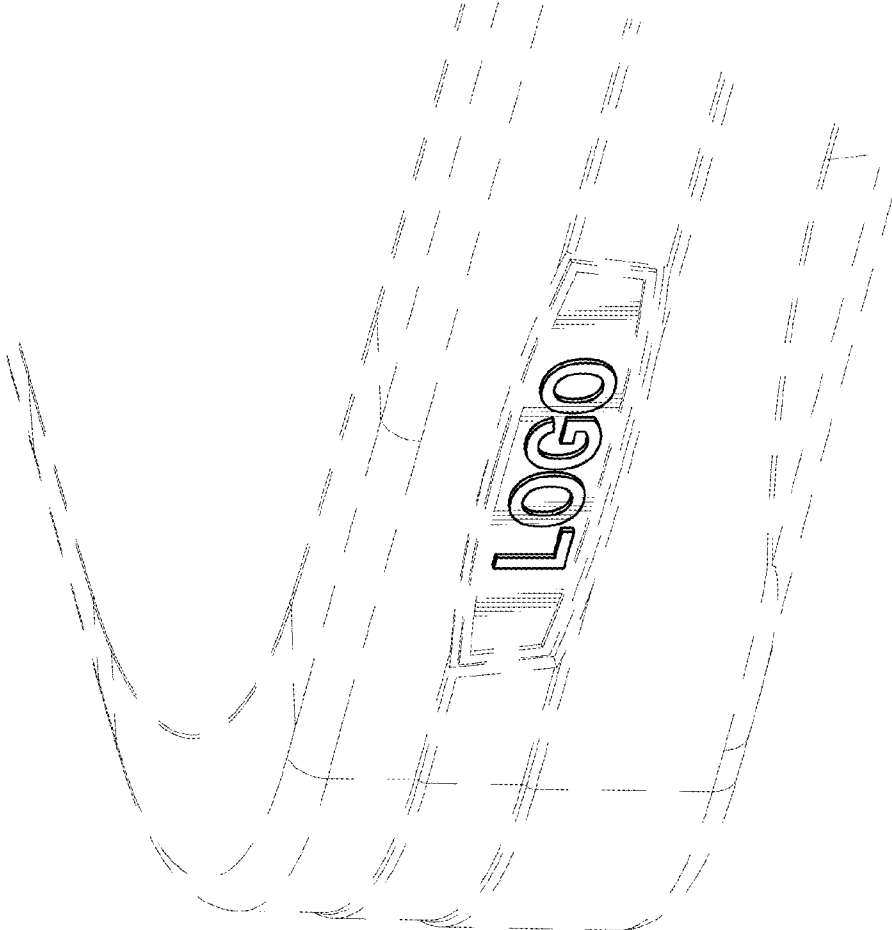


Fig. 2

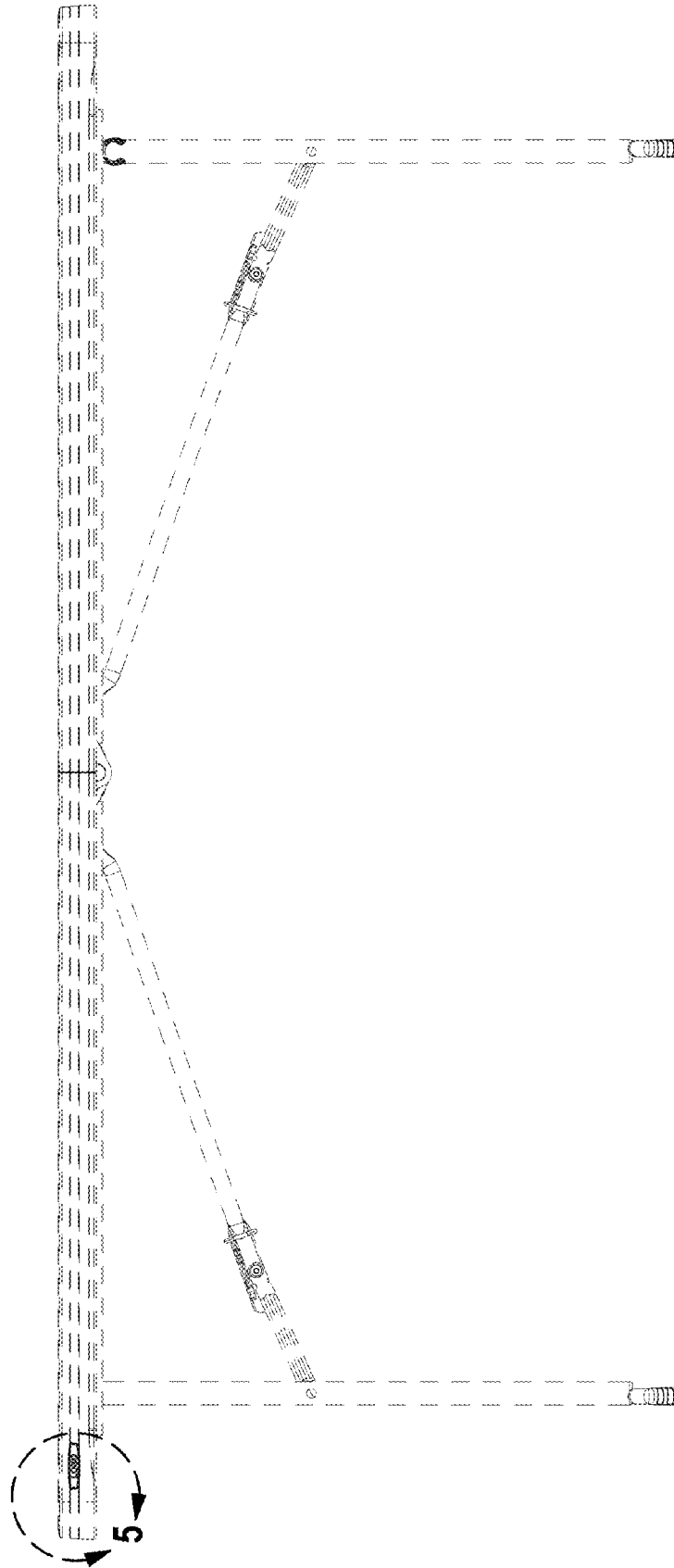


Fig. 3

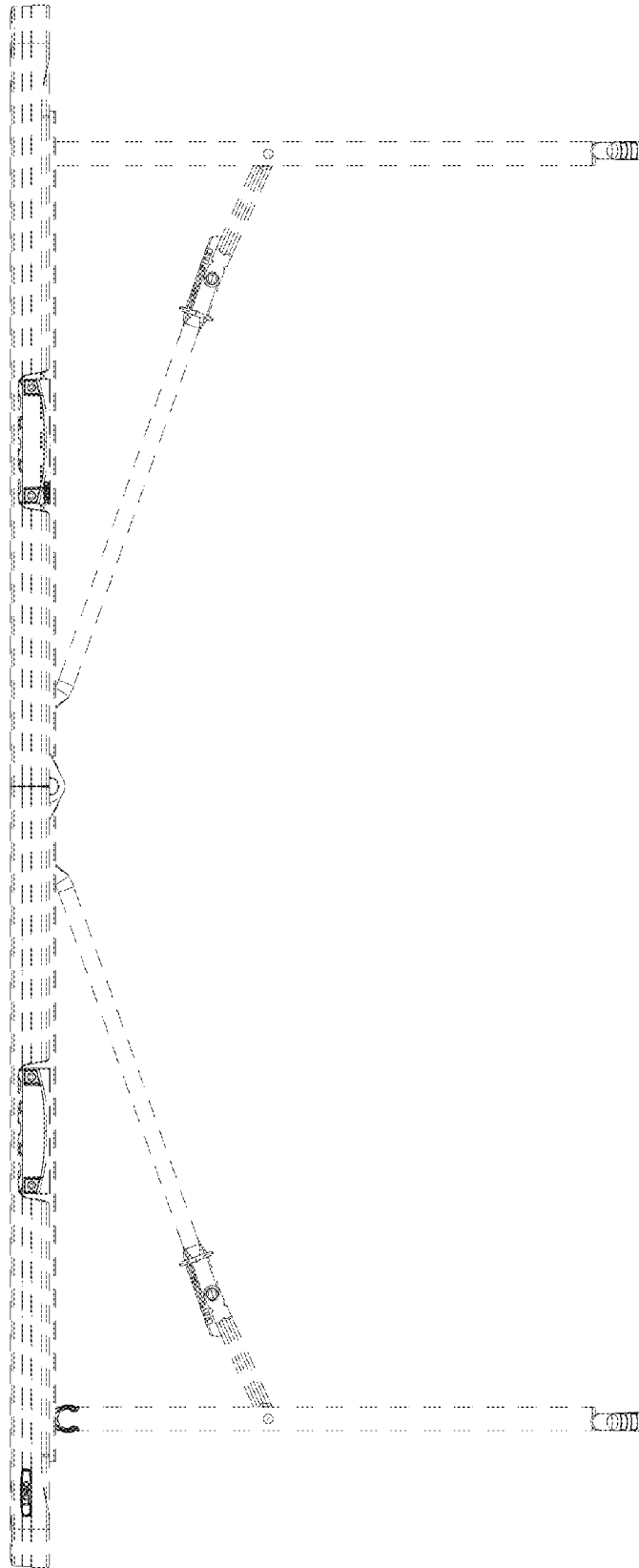


Fig. 4

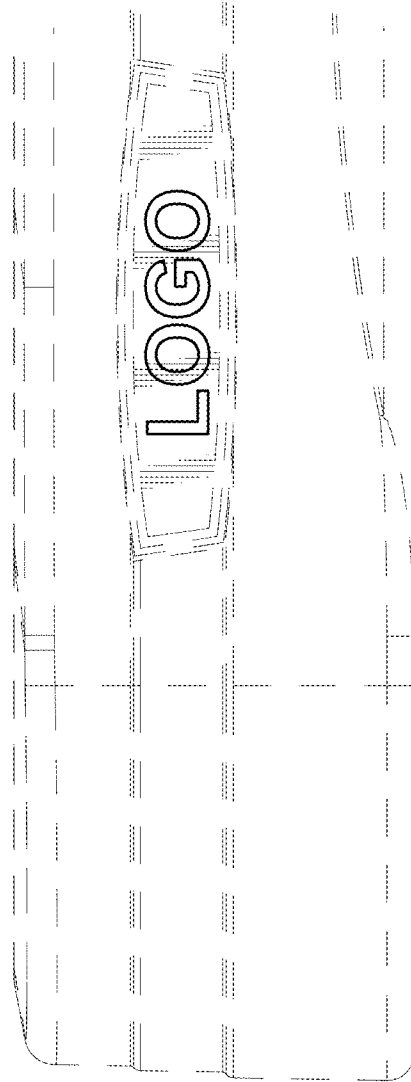


Fig. 5