



US00D644327S

(12) **United States Design Patent**
Singh

(10) **Patent No.:** **US D644,327 S**

(45) **Date of Patent:** **** Aug. 30, 2011**

(54) **TREPHINE DRILL**

(76) Inventor: **Pankaj P. Singh**, Brookville, NY (US)

(**) Term: **14 Years**

(21) Appl. No.: **29/369,101**

(22) Filed: **Sep. 2, 2010**

(51) **LOC (9) Cl.** **24-02**

(52) **U.S. Cl.** **D24/146; D15/139; D24/152**

(58) **Field of Classification Search** D24/133,
D24/152, 155-156, 154, 146-147, 176-182;
D8/24, 70, 86; D15/132, 138-139; 606/53,
606/79, 80, 86 R, 96, 98; 433/82, 114, 124-125,
433/133, 141-142, 165-166, 173-176
See application file for complete search history.

(56) **References Cited**

U.S. PATENT DOCUMENTS

| | | | | |
|-----------|-----|---------|-------------|---------|
| 4,296,656 | A | 10/1981 | Ernst | |
| D268,615 | S * | 4/1983 | Biggs | D24/156 |
| 4,588,381 | A * | 5/1986 | Caracciolo | 433/173 |
| 4,820,156 | A * | 4/1989 | Ross | 433/165 |
| D317,455 | S | 6/1991 | Martin | |
| D321,894 | S | 11/1991 | Harris | |
| 5,066,230 | A * | 11/1991 | Weissman | 433/165 |
| 5,098,293 | A * | 3/1992 | Loof et al. | 433/165 |
| 5,161,973 | A * | 11/1992 | Johnson | 433/221 |
| D351,908 | S * | 10/1994 | Shaw | D24/152 |
| D355,487 | S * | 2/1995 | Broberg | D24/156 |
| D385,468 | S | 10/1997 | Wallach | |
| D399,956 | S * | 10/1998 | Mendoza | D24/156 |
| D408,831 | S | 4/1999 | McGregor | |
| D438,219 | S | 2/2001 | Brutscher | |
| D466,139 | S | 11/2002 | Kim et al. | |
| D564,547 | S | 3/2008 | Keightley | |

| | | | | |
|--------------|------|---------|-----------------|---------|
| D575,808 | S | 8/2008 | Zeiler et al. | |
| D588,175 | S | 3/2009 | Morton | |
| D597,110 | S * | 7/2009 | Anitua Aldecoa | D15/139 |
| D620,035 | S | 7/2010 | Eades | |
| 2009/0264888 | A1 * | 10/2009 | Neumeyer et al. | 606/80 |

OTHER PUBLICATIONS

Google Image Result for http://i00.i.aliimg.com/photo/v0/343268256/Dental_implant_trephine_drill.jpg. 1 page. Viewed Mar. 30, 2011.*

Google Image Result for http://www.osseoustech.net/store/image.php?object_type=product&image_id=1602. 1 page. Viewed Mar. 31, 2011.*

* cited by examiner

Primary Examiner — Ian Simmons

Assistant Examiner — Wan Laymon

(74) *Attorney, Agent, or Firm* — QuickPatents, Inc.; Kevin Prince

(57) **CLAIM**

What is claimed is the ornamental design for a trephine drill, as shown and described.

DESCRIPTION

FIG. 1 is a perspective view of a trephine drill, showing the new design;

FIG. 2 is a front elevational view thereof;

FIG. 3 is a rear elevational view thereof;

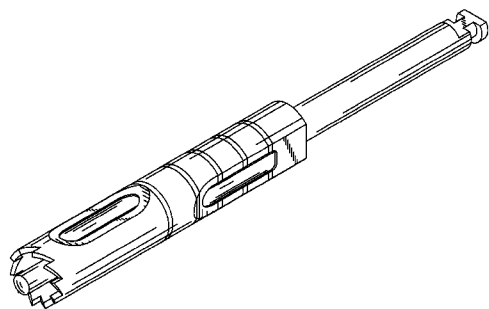
FIG. 4 is a right-side elevational view thereof;

FIG. 5 is a left-side elevational view thereof;

FIG. 6 is a top plan view thereof; and,

FIG. 7 is a bottom plan view thereof.

1 Claim, 2 Drawing Sheets



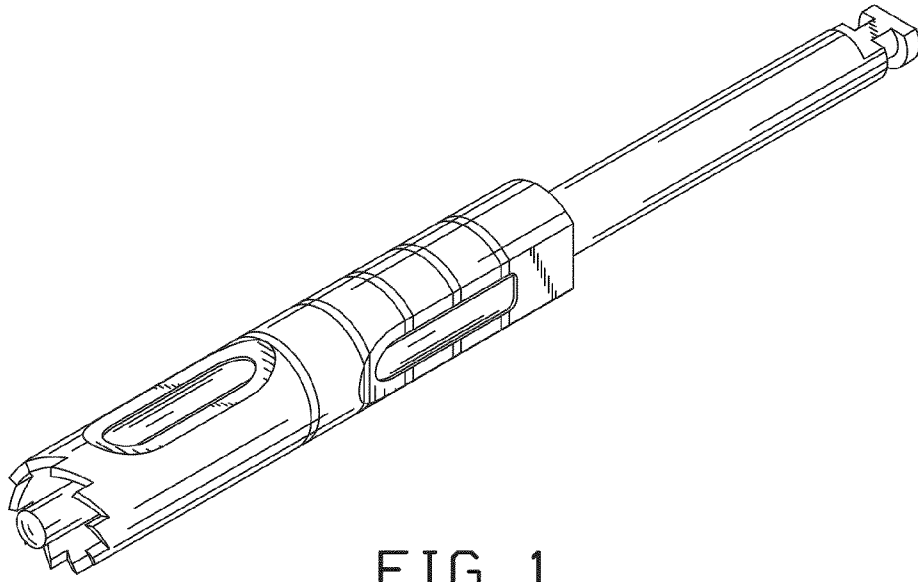


FIG. 1



FIG. 2

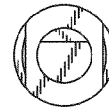


FIG. 3

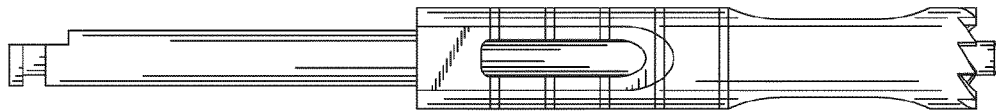


FIG. 4

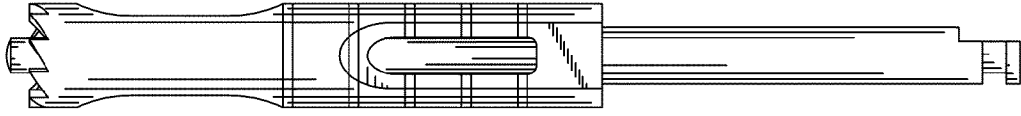


FIG. 5

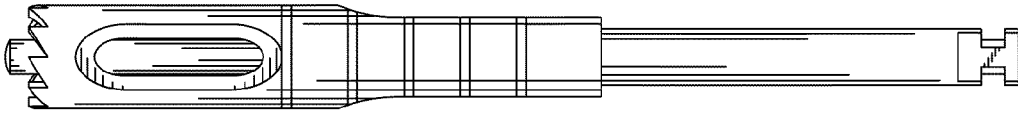


FIG. 6

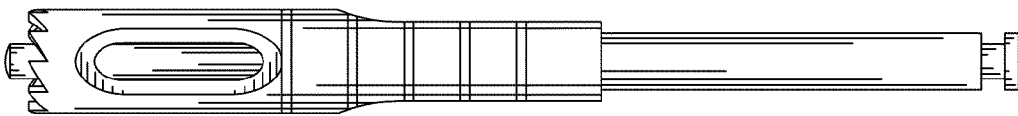


FIG. 7