



US00D724801S

(12) **United States Design Patent**
Yoon et al.

(10) **Patent No.:** **US D724,801 S**

(45) **Date of Patent:** **** Mar. 17, 2015**

(54) **CLEANER**

(71) Applicant: **Samsung Electronics Co., Ltd.**,
Suwon-si, Gyeonggi-do (KR)

(72) Inventors: **Soo-Hyun Yoon**, Seoul (KR);
Yeon-Young Nam, Goyang-si (KR)

(73) Assignee: **Samsung Electronics Co., Ltd.** (KR)

(**) Term: **14 Years**

(21) Appl. No.: **29/490,159**

(22) Filed: **May 7, 2014**

(30) **Foreign Application Priority Data**

Nov. 8, 2013 (KR) 30-2013-0056381

(51) **LOC (10) Cl.** **15-05**

(52) **U.S. Cl.**
USPC **D32/21**

(58) **Field of Classification Search**
CPC A47L 7/0038; A47L 5/36-5/367;
A47L 5/24; A47L 5/14; A47L 5/28; A47L
7/0019; A47L 7/0023; A47L 7/0004; A47L
9/1666; A47L 9/1683; A47L 11/34; A47L
11/4072; A47L 9/009; A47L 11/40
USPC D32/21, 23-24, 31
See application file for complete search history.

(56) **References Cited**

U.S. PATENT DOCUMENTS

D550,908 S * 9/2007 Shin D32/21
D550,909 S * 9/2007 Shin D32/21
D550,910 S * 9/2007 Shin D32/21

D551,403 S * 9/2007 Shin D32/21
D552,310 S * 10/2007 Shin D32/21
D552,811 S * 10/2007 Shin D32/21
D553,311 S * 10/2007 Shin D32/21
D553,812 S * 10/2007 Shin D32/21
D554,308 S * 10/2007 Shin D32/21
D565,813 S * 4/2008 Shin D32/21
D582,110 S * 12/2008 Baek D32/21
D620,653 S * 7/2010 Lee et al. D32/21
D620,654 S * 7/2010 Kim D32/21
D653,823 S * 2/2012 Kim et al. D32/21

* cited by examiner

Primary Examiner — Ruth McInroy

(74) *Attorney, Agent, or Firm* — Cantor Colburn LLP

(57) **CLAIM**

We claim, the ornamental design for a cleaner, as shown and described.

DESCRIPTION

FIG. 1 is a perspective view of a cleaner, showing our new design;

FIG. 2 is a front elevation view thereof;

FIG. 3 is a rear elevation view thereof;

FIG. 4 is a right side elevation view thereof;

FIG. 5 is a left side elevation view thereof;

FIG. 6 is a top plan view thereof;

FIG. 7 is an enlarged view of FIG. 3 showing details on the rear in broken lines;

FIG. 8 is an enlarged view of FIG. 4 showing details on the wheel in broken lines; and,

FIG. 9 is an enlarged view of FIG. 5 showing details on the wheel in broken lines.

The broken lines are for environmental purposes only and form no part of the claimed design.

1 Claim, 9 Drawing Sheets

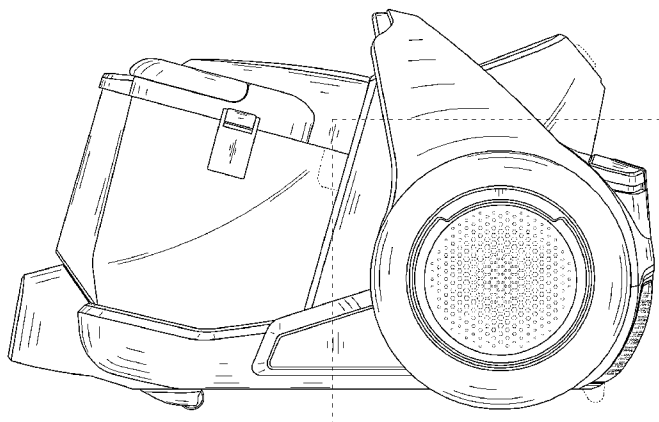
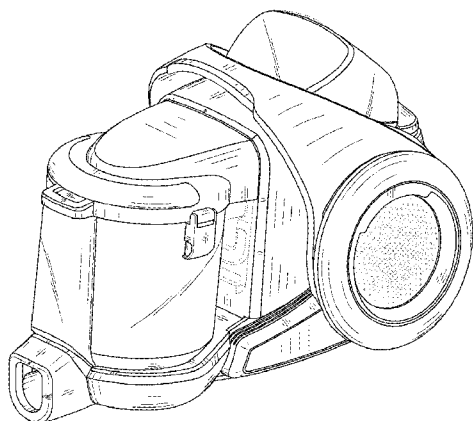


FIG. 1

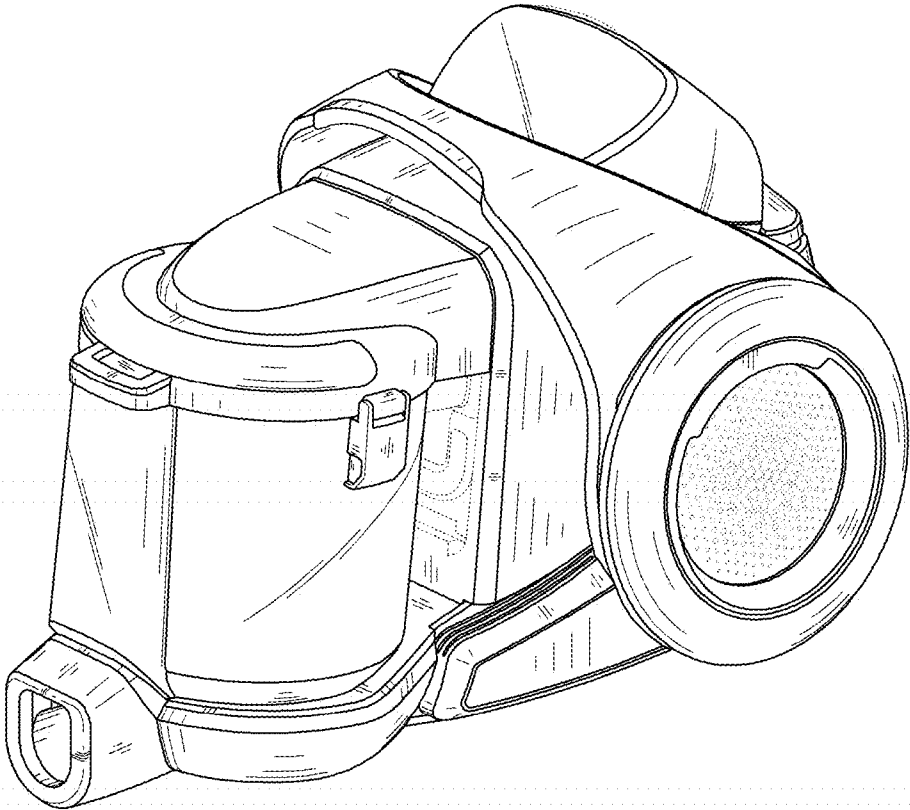


FIG. 2

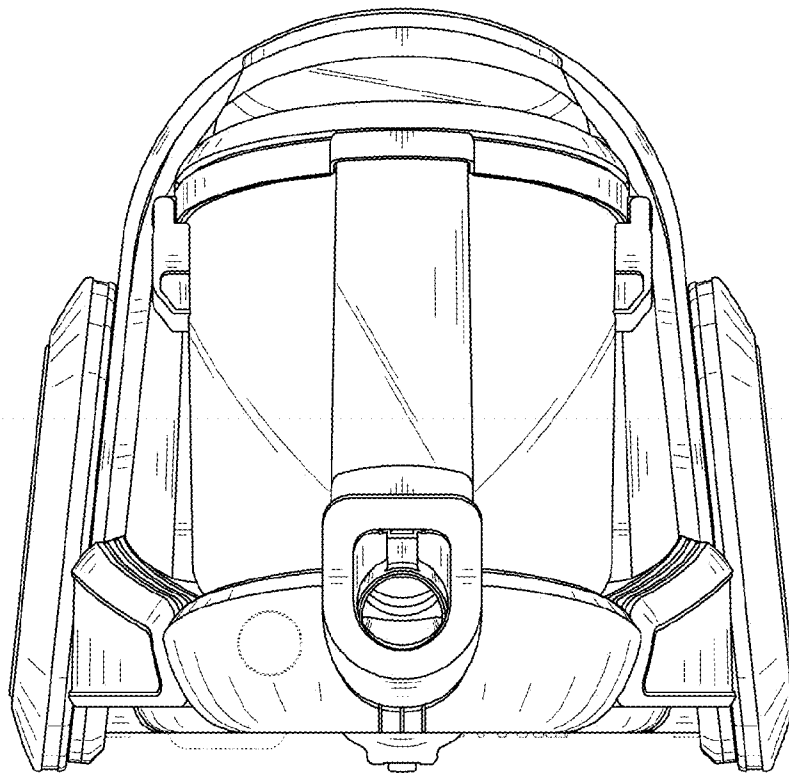


FIG. 3

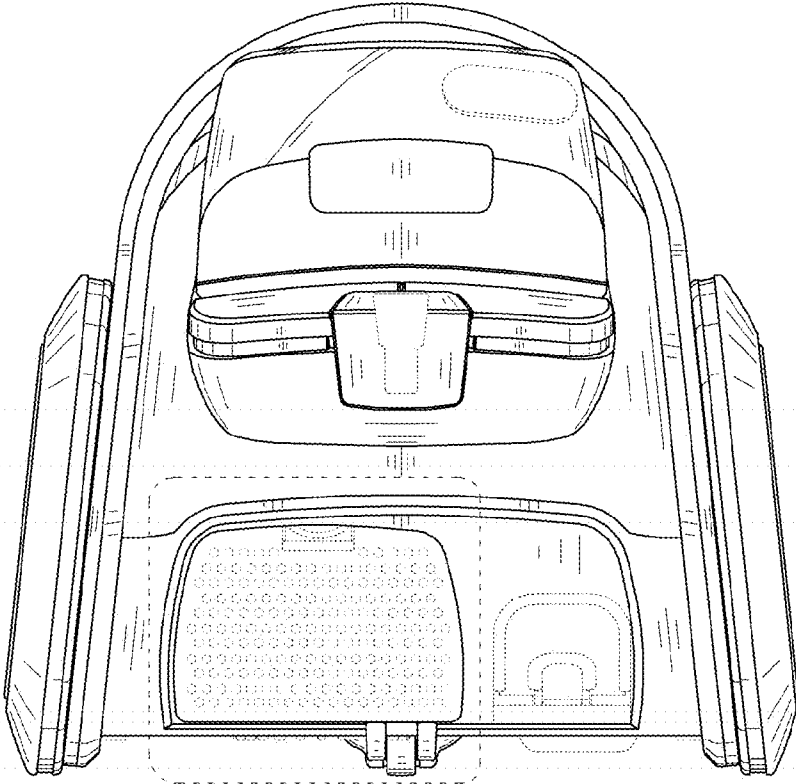


FIG. 4

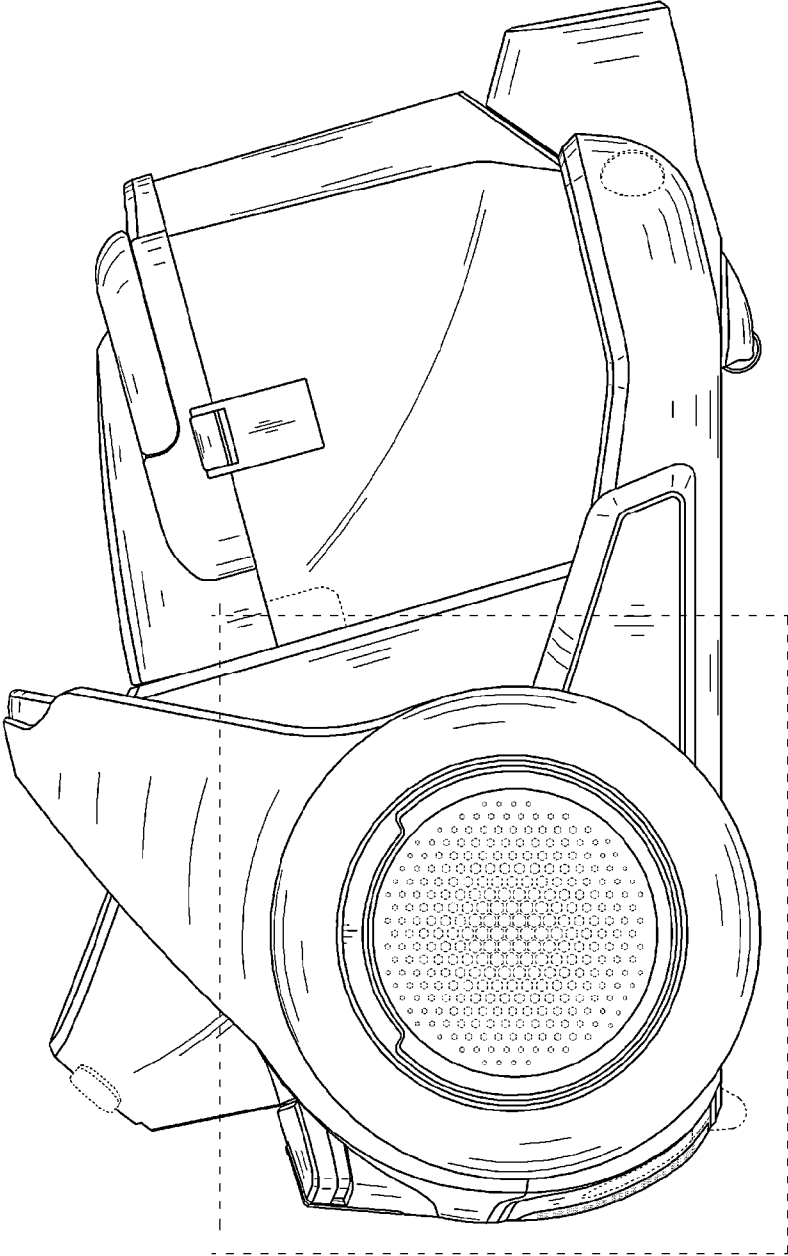


FIG. 5

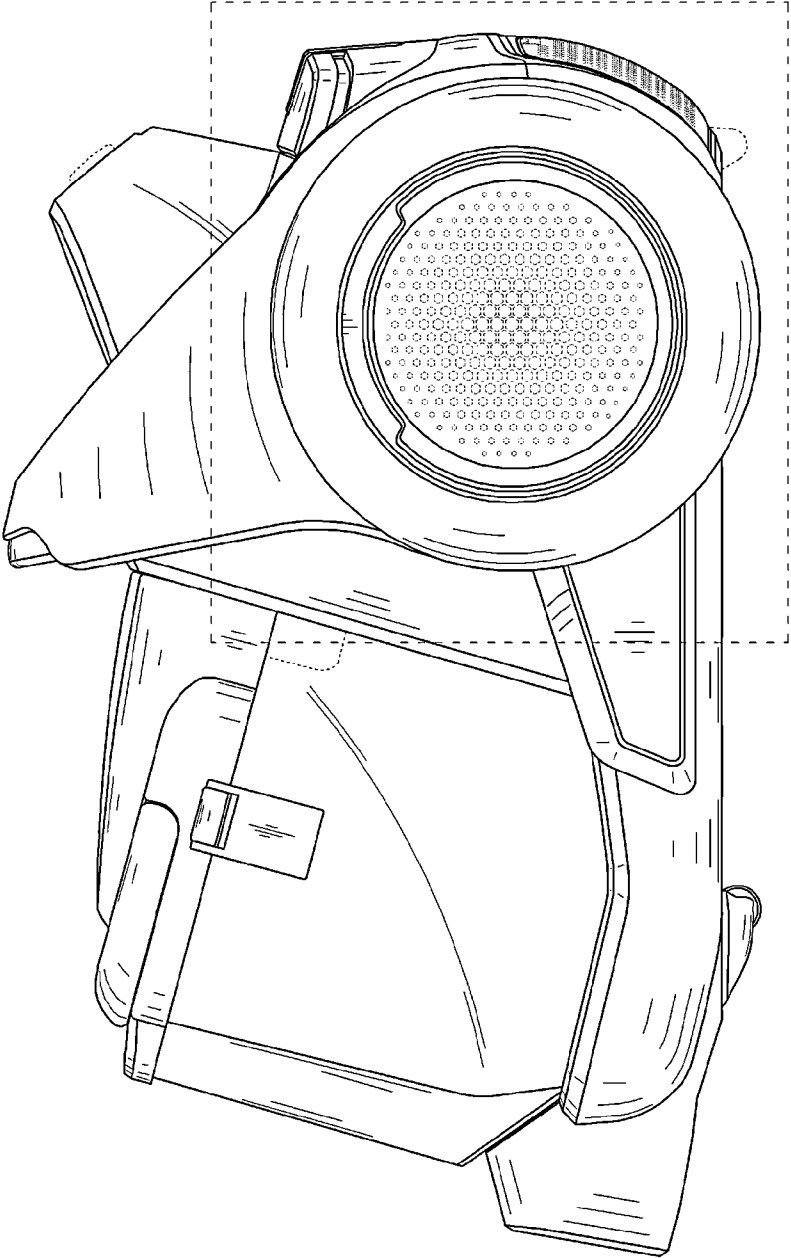


FIG. 6

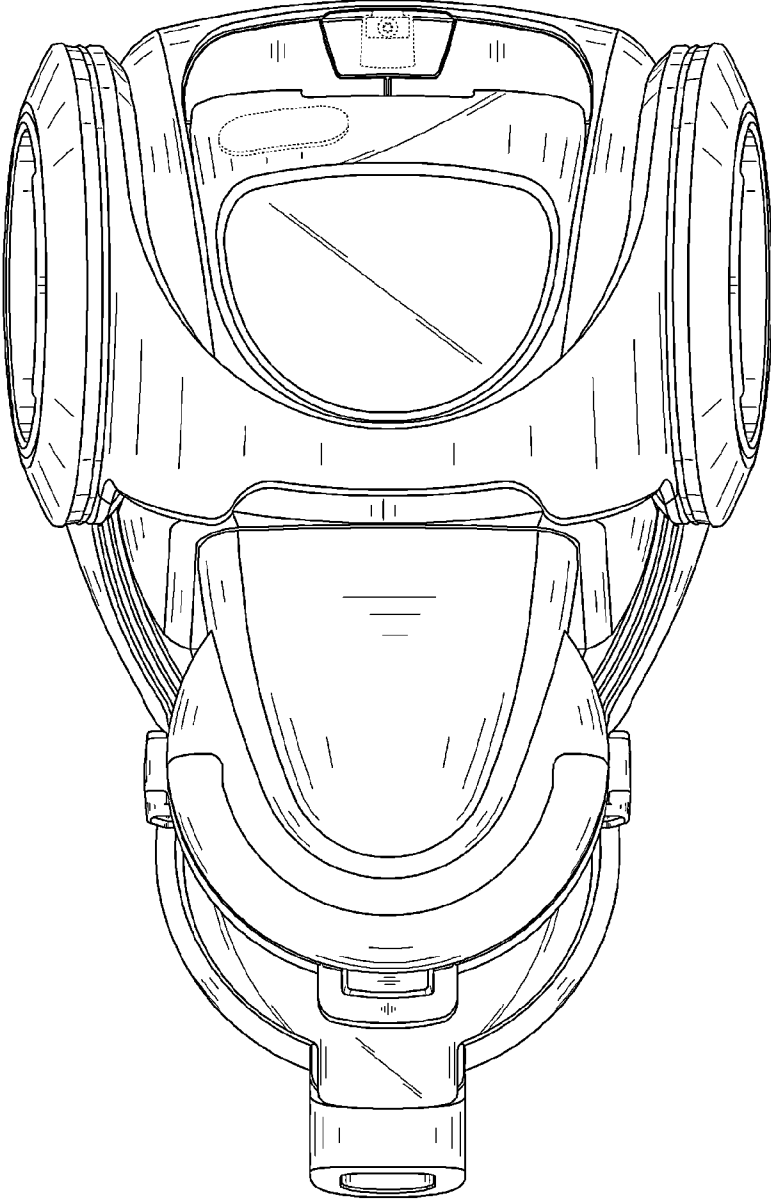


FIG. 7

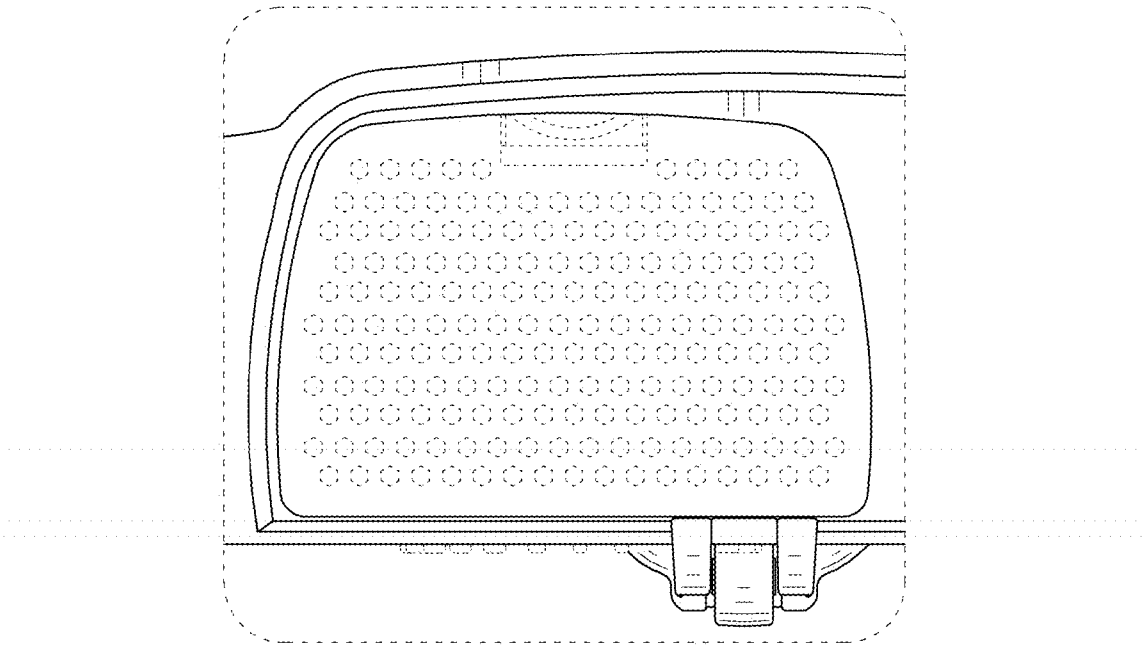


FIG. 8

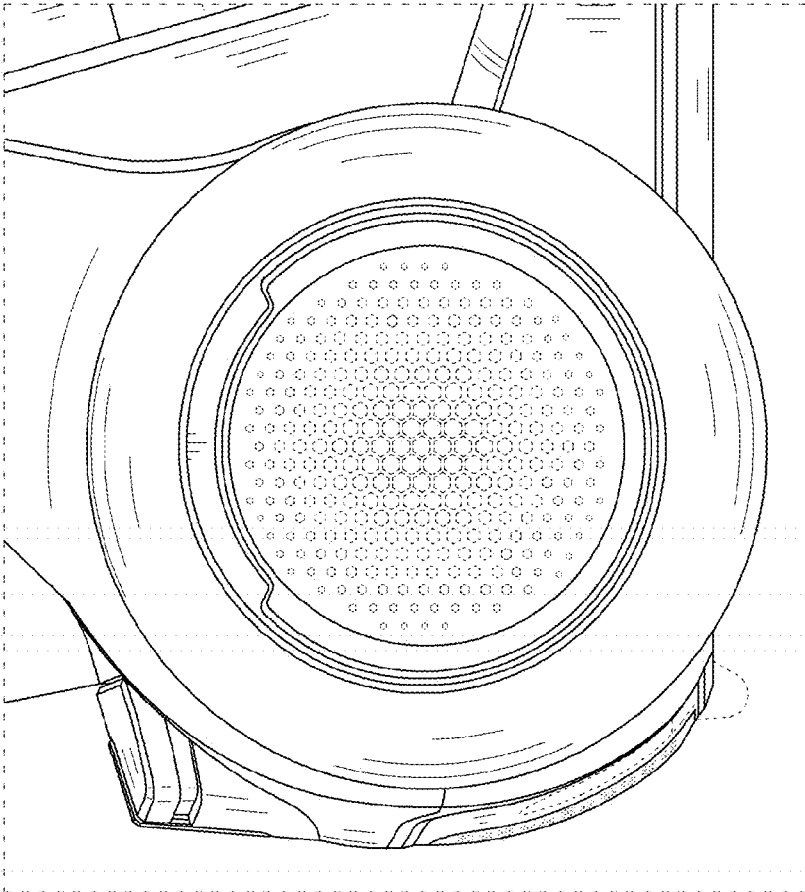


FIG. 9

