



US00D337239S

# United States Patent [19]

[11] Patent Number: **Des. 337,239**

Lin

[45] Date of Patent: **\*\* Jul. 13, 1993**

[54] **ICE SHAVER**

D. 318,776 8/1991 Lin ..... D7/374  
3,679,140 7/1972 Kaishita et al. .... D7/374

[76] Inventor: **Yong-Sue Lin**, No. 8, Alley 41, Lane 189, Section 1, An-Chon Road, Tainan, Taiwan

*Primary Examiner*—Ruth McInroy  
*Attorney, Agent, or Firm*—Morton J. Rosenberg; David I. Klein

[\*\*] Term: **14 Years**

[21] Appl. No.: **682,706**

[57] **CLAIM**

[22] Filed: **Apr. 9, 1991**

The ornamental design for an ice shaver, as shown and described.

[52] U.S. Cl. .... **D7/374**

[58] Field of Search ..... **D7/372-374,**  
D7/383, 384, 376; 241/82.1, 83, DIG. 17,  
273.2, 274, 277, 279, 280, 278.1

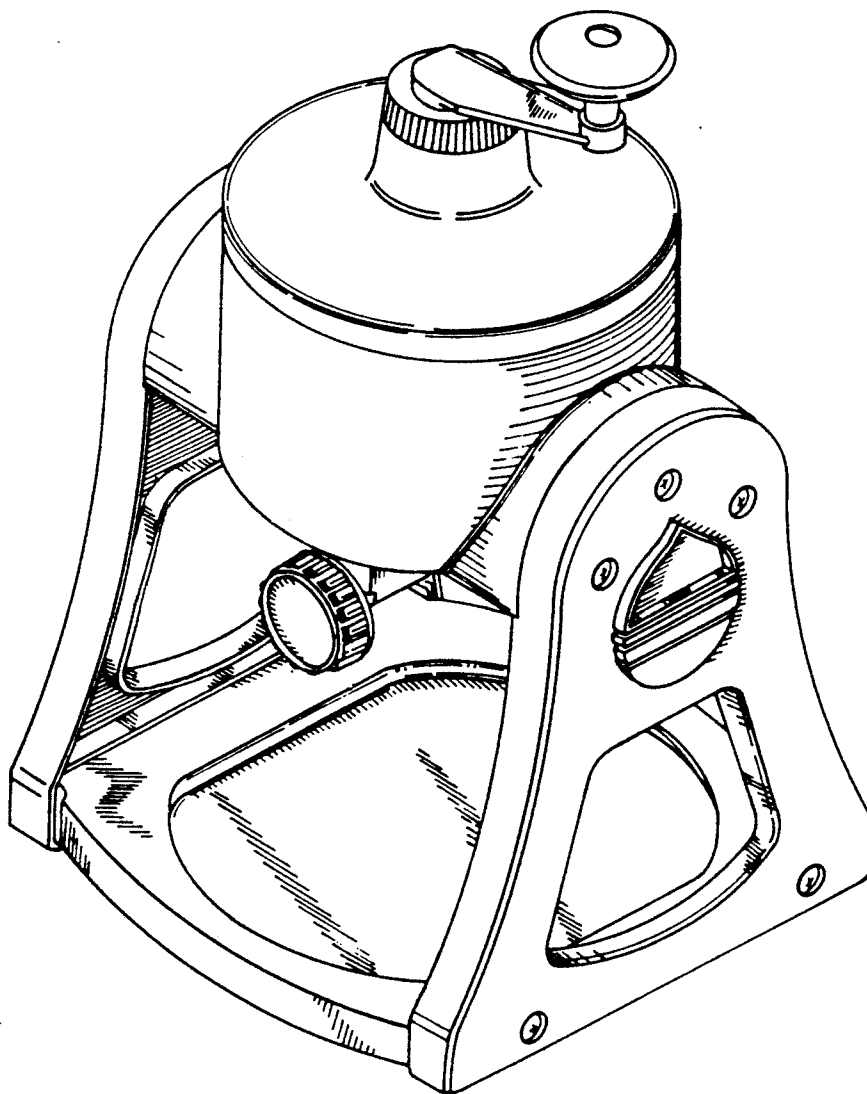
**DESCRIPTION**

[56] **References Cited**

**U.S. PATENT DOCUMENTS**

D. 252,847 9/1979 Cannon et al. .... D7/372  
D. 304,897 12/1989 Lin ..... D7/374  
D. 305,602 1/1990 Inomata ..... D7/374

FIG. 1 is a perspective view of an ice shaver, showing my new design;  
FIG. 2 is a front elevational view thereof;  
FIG. 3 is a rear elevational view thereof;  
FIG. 4 is a right side elevational view thereof;  
FIG. 5 is a left side elevational view thereof;  
FIG. 6 is a top plan view thereof; and,  
FIG. 7 is a bottom plan view thereof.



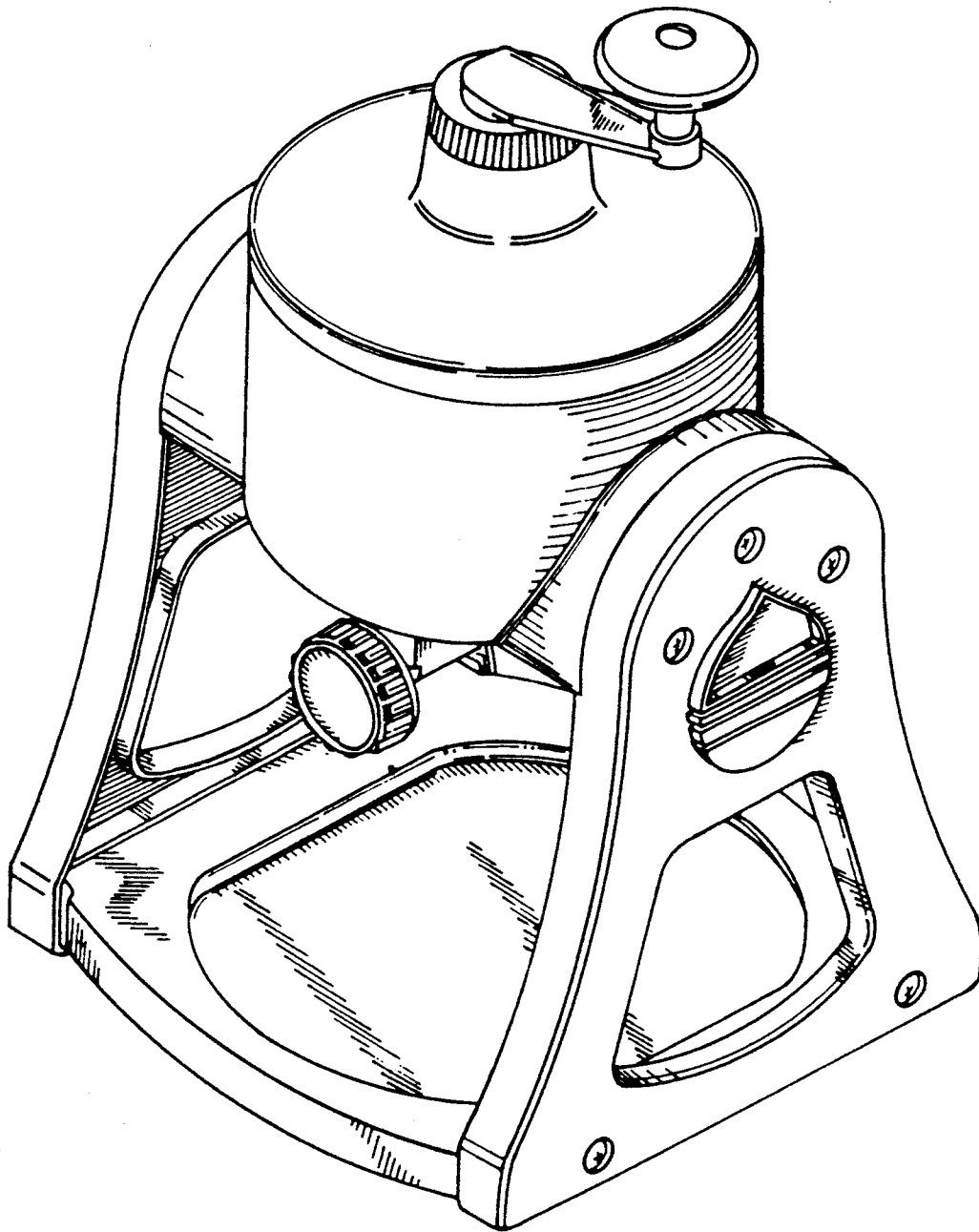


FIG. 1

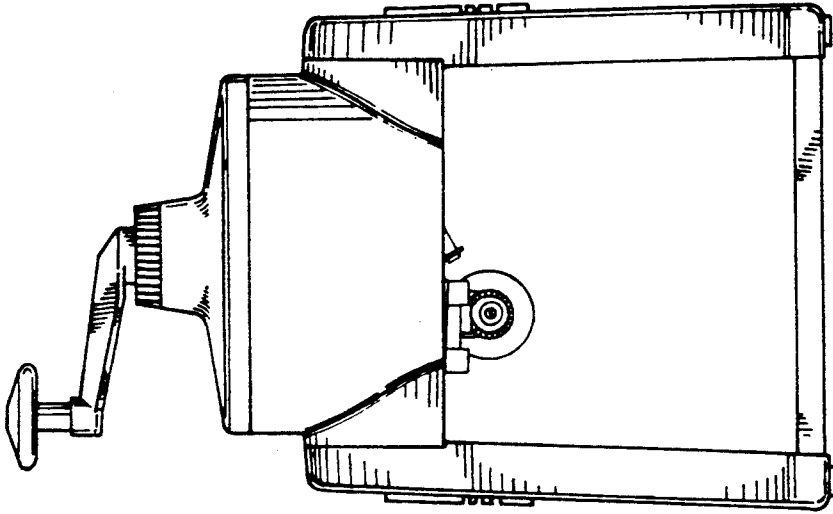


FIG. 3

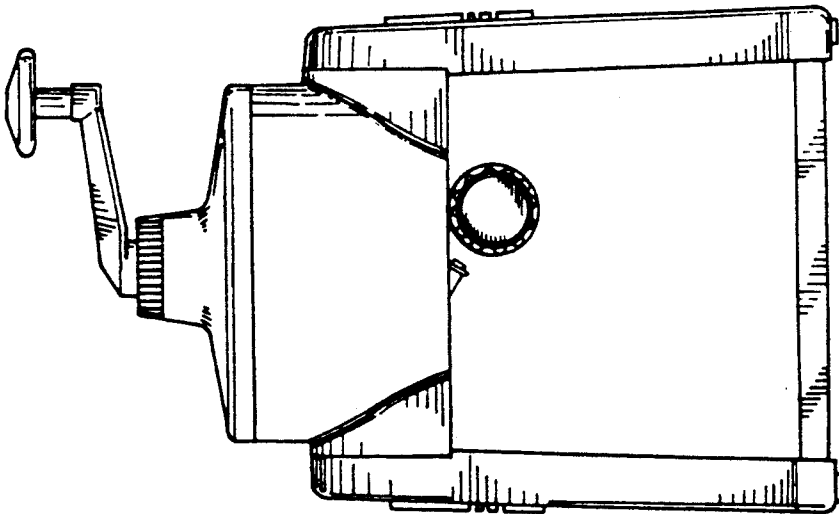


FIG. 2

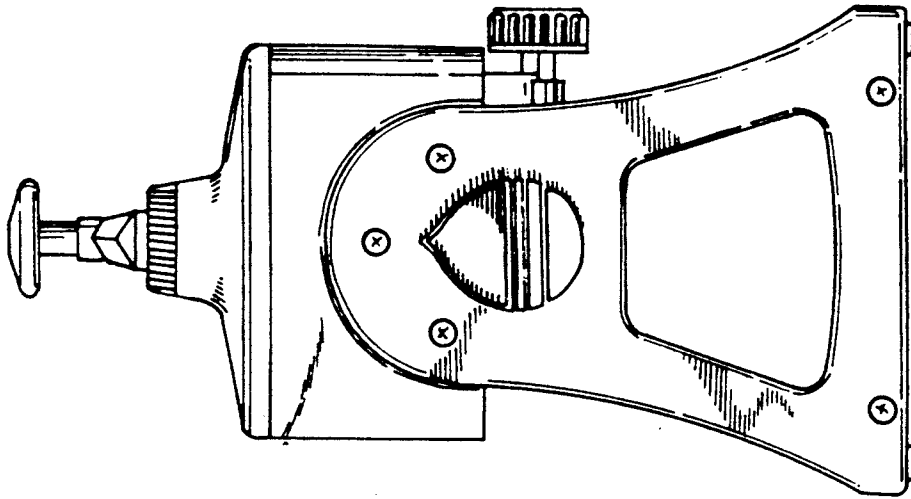


FIG. 4

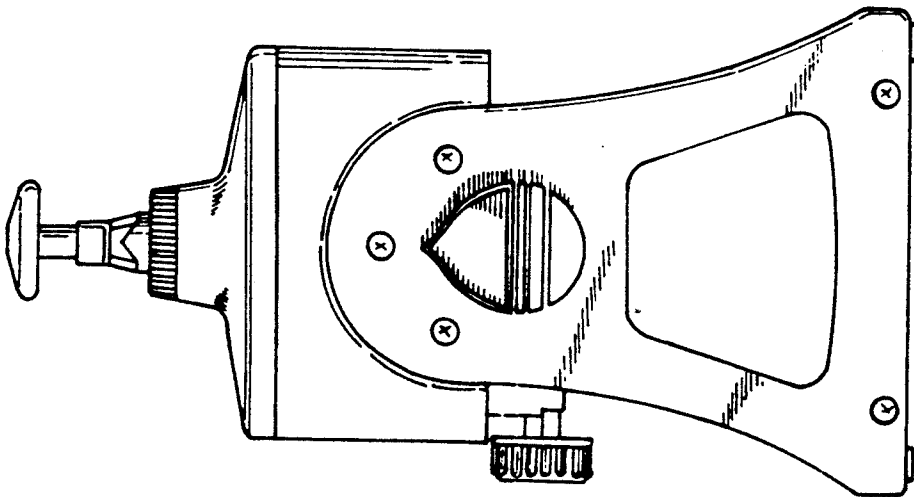


FIG. 5

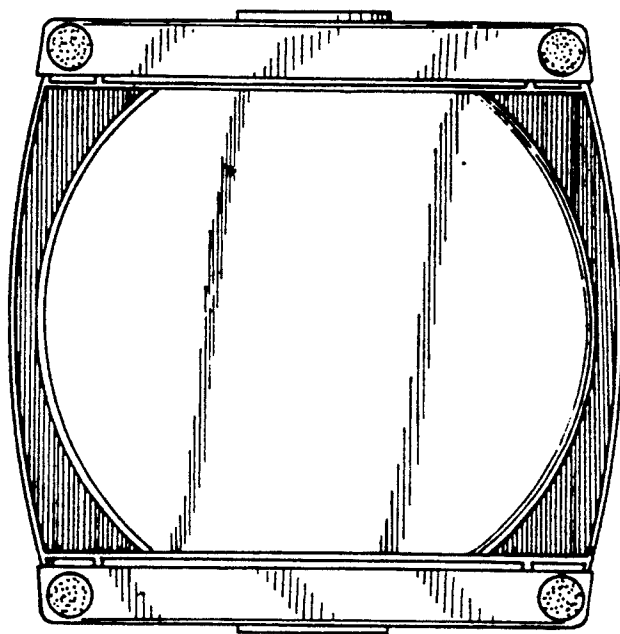


FIG. 7

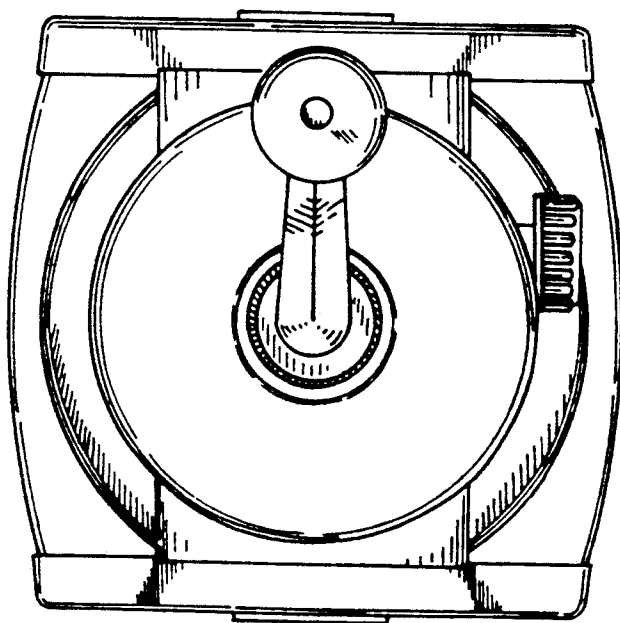


FIG. 6