



US0D1006298S

(12) **United States Design Patent**  
**Browning**

(10) **Patent No.:** **US D1,006,298 S**

(45) **Date of Patent:** **\*\* Nov. 28, 2023**

(54) **LAMP**

(71) Applicant: **RH US, LLC**, Corte Madera, CA (US)

(72) Inventor: **John Richard Browning**, San Francisco, CA (US)

(73) Assignee: **RH US, LLC**, Corte Madera, CA (US)

(\*\*) Term: **15 Years**

(21) Appl. No.: **29/760,966**

(22) Filed: **Dec. 4, 2020**

(51) **LOC (14) Cl.** ..... **26-05**

(52) **U.S. Cl.** ..... **D26/88**  
USPC .....

(58) **Field of Classification Search**  
USPC ..... D26/72, 80-92, 118, 120-124, 128, 130  
CPC ..... F21S 8/03; F21S 8/04; F21S 8/043; F21S 8/046; F21S 8/06; F21S 8/061; F21S 8/063; F21S 8/065  
See application file for complete search history.

(56) **References Cited**

**U.S. PATENT DOCUMENTS**

D399,330	S	*	10/1998	Geier	.....	D26/88
D558,381	S	*	12/2007	Horn	.....	D26/85
D583,090	S	*	12/2008	Silver	.....	D26/85
D596,335	S	*	7/2009	Sabernig	.....	D26/88
D596,782	S	*	7/2009	Silver	.....	D26/90
D596,783	S	*	7/2009	Silver	.....	D26/90
D603,552	S	*	11/2009	Kampe	.....	D26/88
D636,522	S	*	4/2011	Gutting	.....	D26/88

(Continued)

**FOREIGN PATENT DOCUMENTS**

GB	6082656	*	2/2020
GB	6139157	*	5/2021

(Continued)

**OTHER PUBLICATIONS**

Savile Cylindrical Pendant, available in <https://www.rh.com/>, posted: [online], [site visited: Apr. 19, 2023], Internet URL: <https://rh.com/US/en/catalog/product/product.jsp?productId=prod20670450&layout=square> (Year: 2023).\*

(Continued)

*Primary Examiner* — Sheryl Lane

*Assistant Examiner* — Alex T. Milbrath

(74) *Attorney, Agent, or Firm* — Lewis Roca Rothgerber Christie LLP

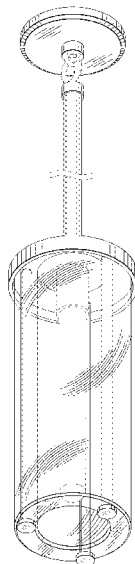
(57) **CLAIM**

The ornamental design for a lamp, as shown and described.

**DESCRIPTION**

FIG. 1 is a perspective view of a first embodiment of a lamp showing my new design;  
FIG. 2 is a front view thereof;  
FIG. 3 is a rear view thereof;  
FIG. 4 is a right side view thereof, the left side view being a mirror image;  
FIG. 5 is a top plan view thereof;  
FIG. 6 is a bottom plan view thereof;  
FIG. 7 is a perspective view of a second embodiment of a lamp showing my new design;  
FIG. 8 is a front view thereof;  
FIG. 9 is a rear view thereof;  
FIG. 10 is a right side view thereof, the left side view being a mirror image;  
FIG. 11 is a top plan view thereof; and,  
FIG. 12 is a bottom plan view thereof.  
FIGS. 1-4, and 7-10 include break lines and those portions of the article between the break lines form no part of the claimed design. The short broken lines represent environmental subject matter and form no part of the claimed design.

**1 Claim, 6 Drawing Sheets**



(56)

References Cited

U.S. PATENT DOCUMENTS

D641,911	S	*	7/2011	Gutting	.....	D26/88
D799,739	S	*	10/2017	Dean	.....	D26/128
D841,220	S	*	2/2019	Chen	.....	D26/88
D851,318	S	*	6/2019	Amato	.....	D26/87
D851,319	S	*	6/2019	Amato	.....	D26/87
D851,320	S	*	6/2019	Amato	.....	D26/87
D857,277	S	*	8/2019	Amato	.....	D26/88
D861,951	S	*	10/2019	Zitoli	.....	D26/81
D892,383	S	*	8/2020	McDennon	.....	D26/87
D892,386	S	*	8/2020	Browning	.....	D26/88
D894,467	S	*	8/2020	Xu	.....	D26/88
D894,473	S	*	8/2020	Amato	.....	D26/118
D903,179	S	*	11/2020	Pulsifer	.....	D26/81
D925,102	S	*	7/2021	Fletcher	.....	D26/118
D932,678	S	*	10/2021	Dulley	.....	D26/85
D938,093	S	*	12/2021	Titizian	.....	D26/88
D939,130	S	*	12/2021	Browning	.....	D26/88
D939,757	S	*	12/2021	Browning	.....	D26/119
D939,758	S	*	12/2021	Li	.....	D26/88
D940,378	S	*	1/2022	Browning	.....	D26/119
D940,379	S	*	1/2022	Zhao	.....	D26/81
D967,466	S	*	10/2022	Harders	.....	D26/24
D974,638	S	*	1/2023	McDennon	.....	D26/128
D981,631	S	*	3/2023	Minale	.....	D26/88

FOREIGN PATENT DOCUMENTS

WO	WO-D214453-001	*	6/2021
WO	WO-D218801-006	*	2/2022

OTHER PUBLICATIONS

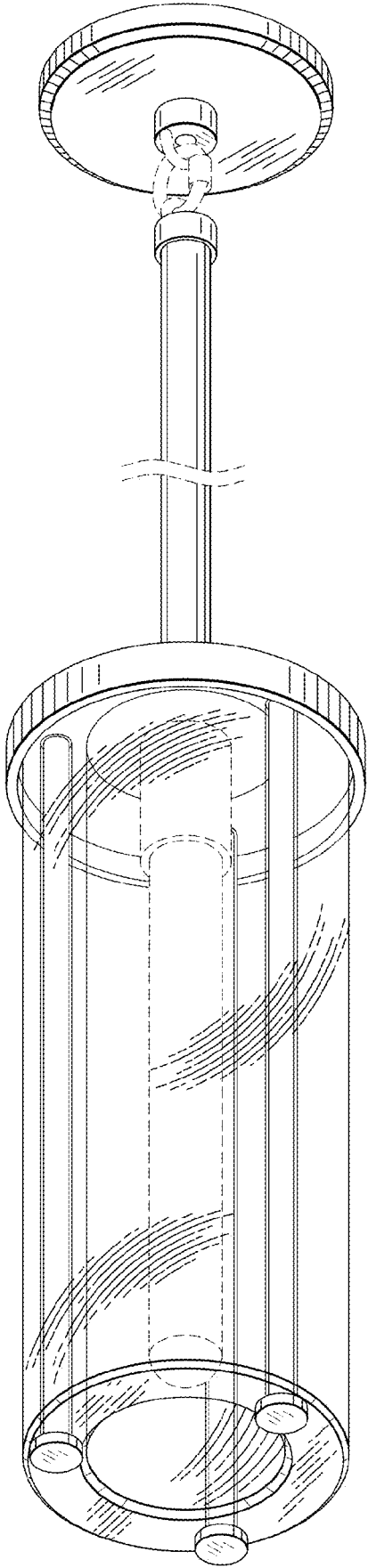
Lmqnine Gold Lantern Chandelier, available in <https://www.amazon.com/>, posted: May 25, 2022 [online], [site visited: Apr. 19, 2023], Internet URL: <https://www.amazon.com/Lantern-Chandelier-Fixture-Adjustable-Lighting/dp/B0B282HM75?th=1> (Year: 2022).\*

Lmqnine Dining Room Light Fixture, available in <https://www.amazon.com/>, posted: Apr. 7, 2022 [online], [site visited: Apr. 19, 2023], Internet URL: [https://www.amazon.com/LMQNINE-Fixture-Industrial-Farmhouse-Chandelier/dp/B09XDK1V3W/ref=psdc\\_495224\\_t1\\_B0B27XR35T?th=1](https://www.amazon.com/LMQNINE-Fixture-Industrial-Farmhouse-Chandelier/dp/B09XDK1V3W/ref=psdc_495224_t1_B0B27XR35T?th=1) (Year: 2022).\*

Ouvr Pendant Light Fixture, available in <https://www.amazon.com/>, posted: Nov. 3, 2021 [online], [site visited: Apr. 19, 2023], Internet URL: [https://www.amazon.com/dp/B09KX1TSKH/ref=sspa\\_dk\\_detail\\_12?pf\\_rd\\_p=dd2c6db7-6626-466d-bf04-9570e69a7df0&pf\\_rd\\_r=ACMNGT1K1SFHR](https://www.amazon.com/dp/B09KX1TSKH/ref=sspa_dk_detail_12?pf_rd_p=dd2c6db7-6626-466d-bf04-9570e69a7df0&pf_rd_r=ACMNGT1K1SFHR) . . . (Year: 2021).\*

\* cited by examiner

FIG. 1



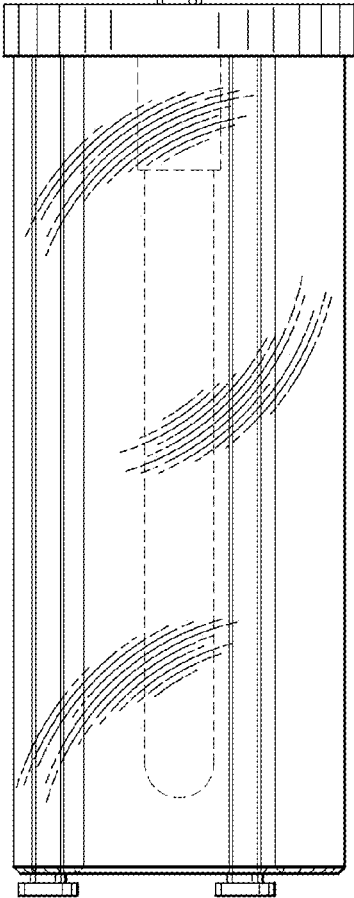
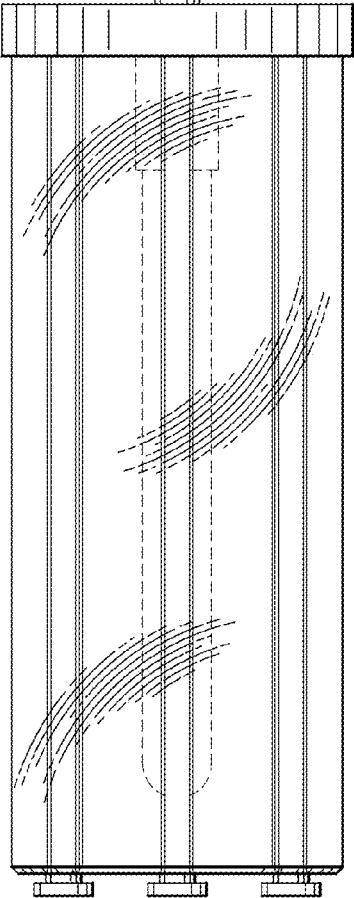
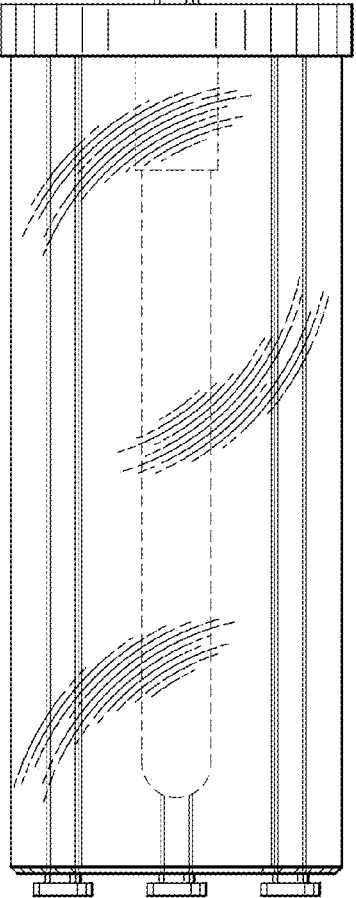
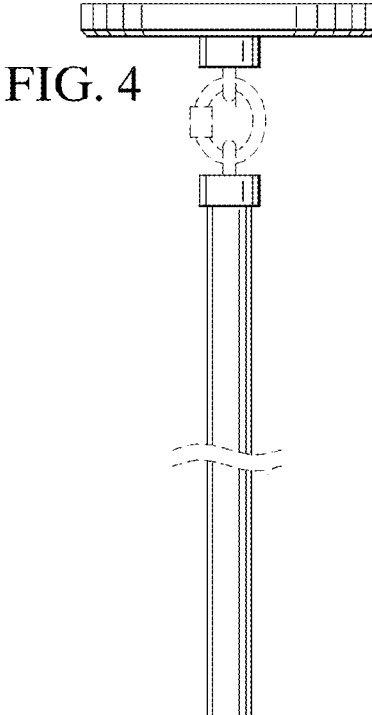
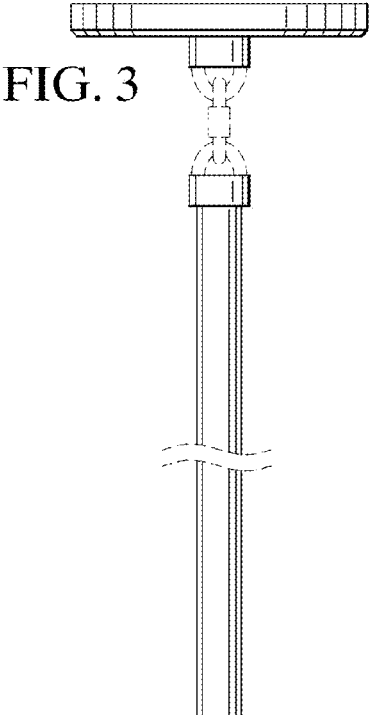
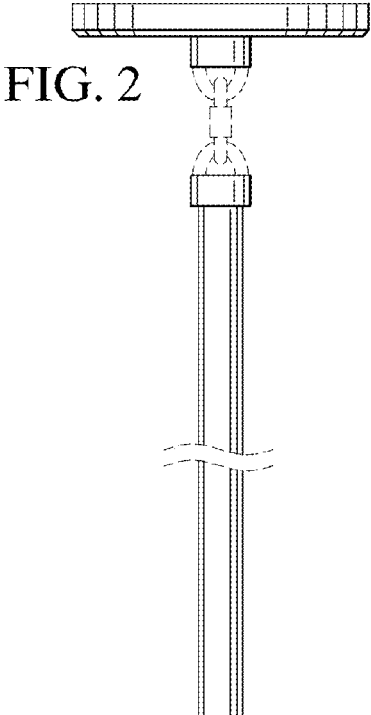


FIG. 5

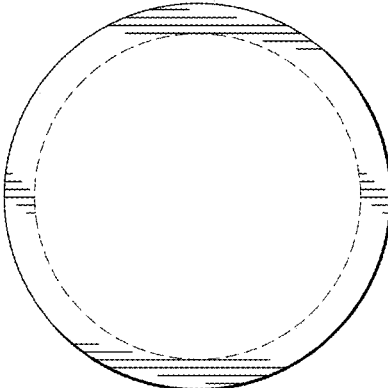


FIG. 6

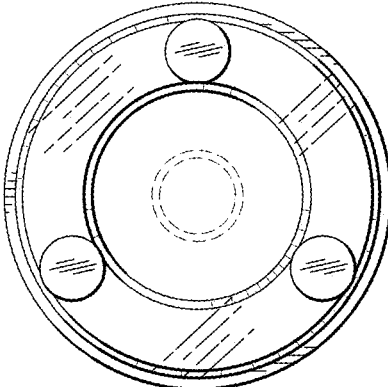
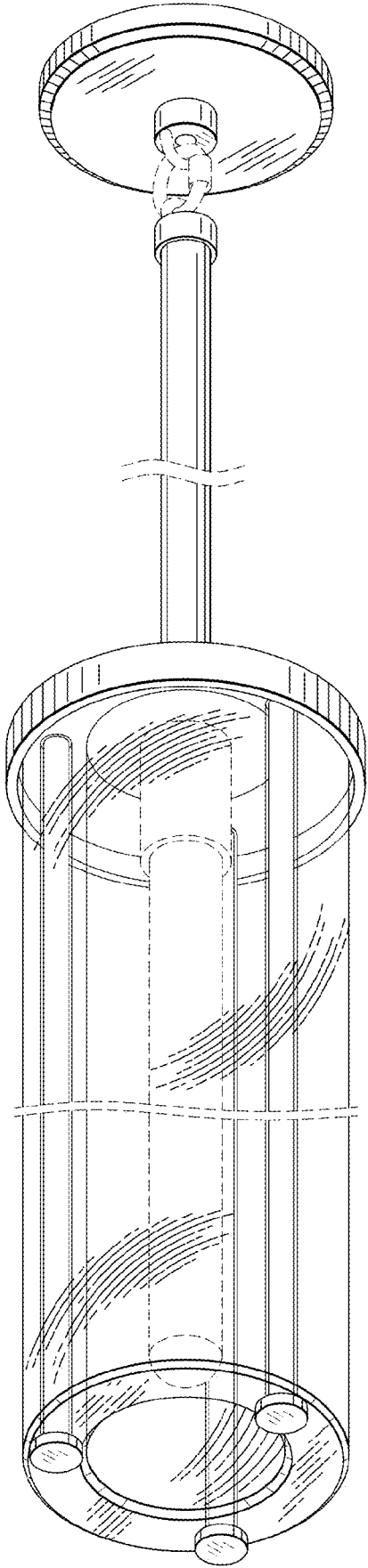


FIG. 7



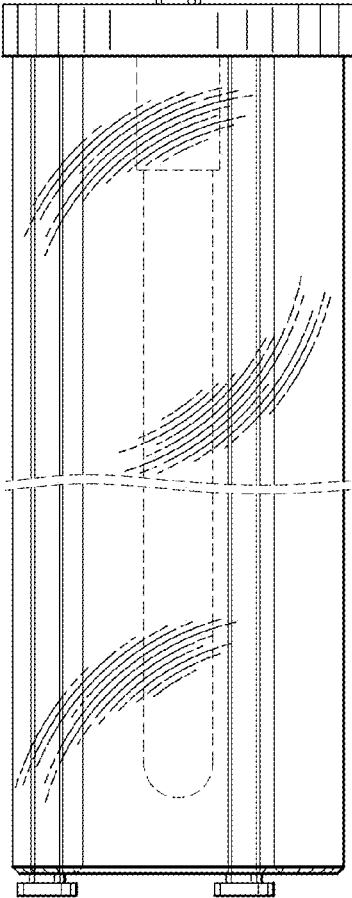
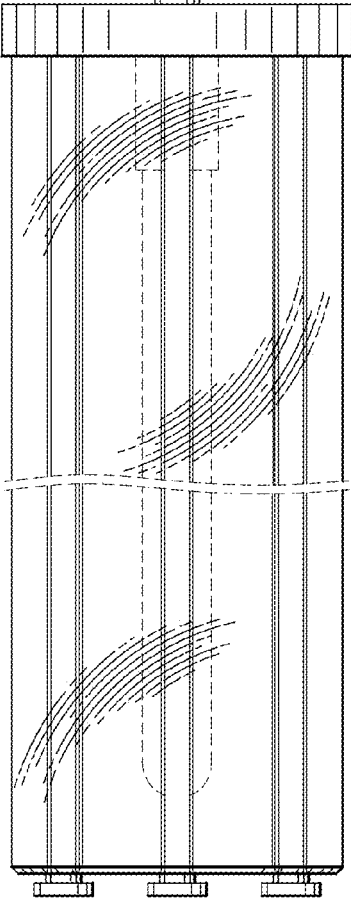
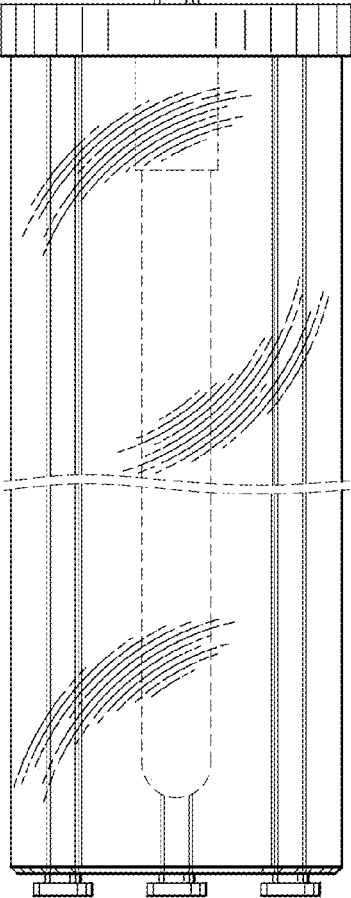
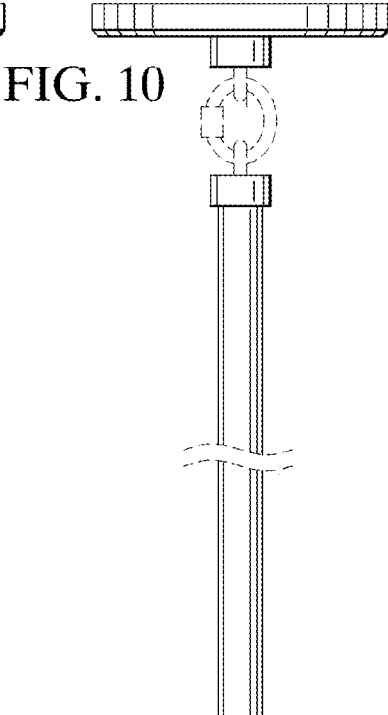
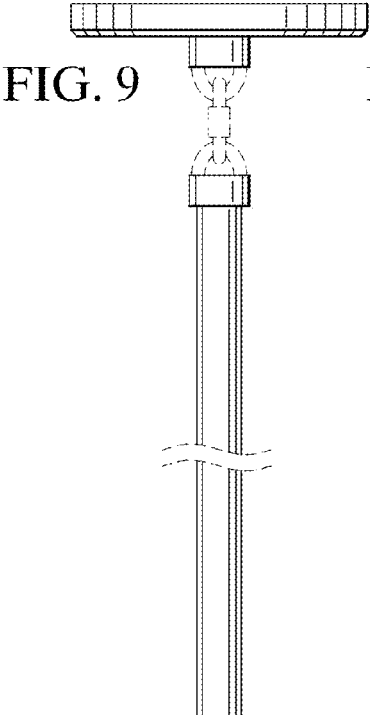
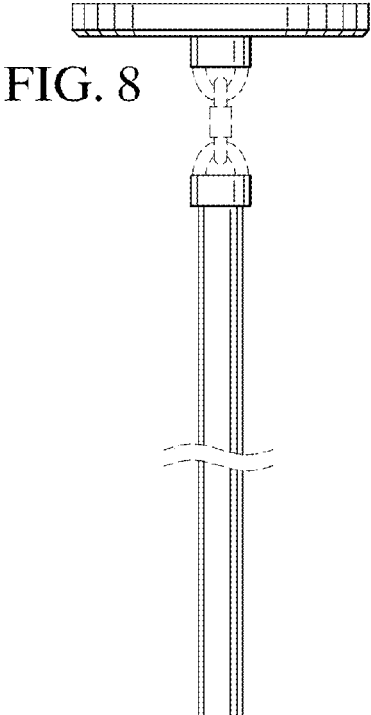


FIG. 11

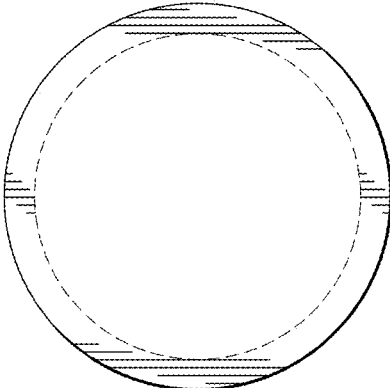


FIG. 12

