



US00D364050S

United States Patent [19] Paus

[11] **Patent Number:** Des. 364,050
[45] **Date of Patent:** **Nov. 14, 1995

- [54] **TABLE**
- [75] **Inventor:** Michael J. Paus, High Point, N.C.
- [73] **Assignee:** Universal Furniture Industries, Inc., High Point, N.C.
- [**] **Term:** 14 Years
- [21] **Appl. No.:** 20,405
- [22] **Filed:** Mar. 24, 1994
- [52] **U.S. Cl.** D6/436
- [58] **Field of Search** D6/432-448, 480, D6/484, 487; 312/204

cocktail table #3307-41 on page.
Ethan Allan ©1979, p. 371, rectangular end table #13-8512 last column second from top.

Primary Examiner—Carmen H. Vales-Lado
Attorney, Agent, or Firm—Edgar A. Zarins; Malcolm L. Sutherland

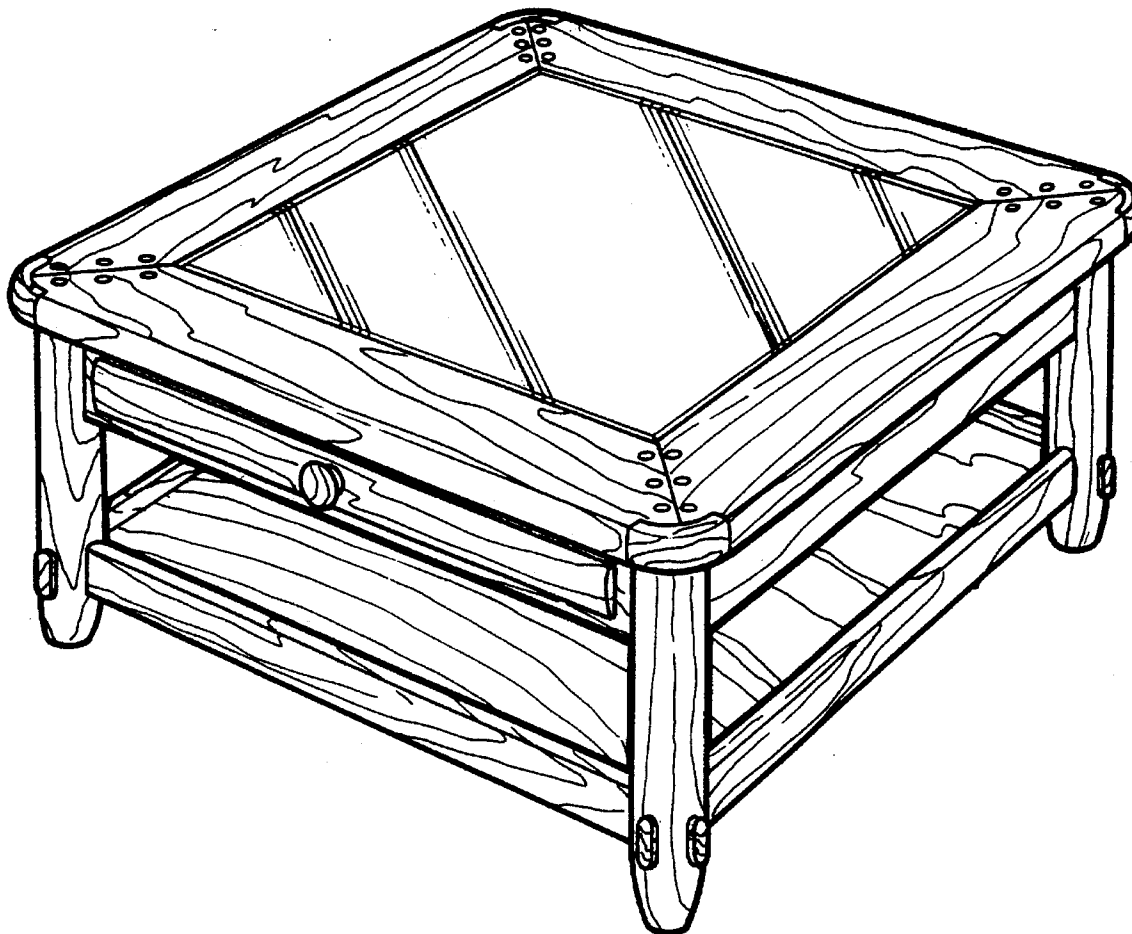
[57] **CLAIM**
The ornamental design for a table, as shown and described.

DESCRIPTION

FIG. 1 is a right perspective view of a table showing my new design; the left side being a mirror image thereof;
FIG. 2 is a front elevational view thereof;
FIG. 3 is a top plan view thereof; and,
FIG. 4 is a rear elevational view thereof.

- [56] **References Cited**
- U.S. PATENT DOCUMENTS
- D. 317,837 7/1991 Grey D6/436
- OTHER PUBLICATIONS
- "Renaissance" by American by Martinsville May 11, 1983; end table #2756-602 on page.
Progressive Furniture Inc. ©1991; "yesteryear II" square

1 Claim, 2 Drawing Sheets



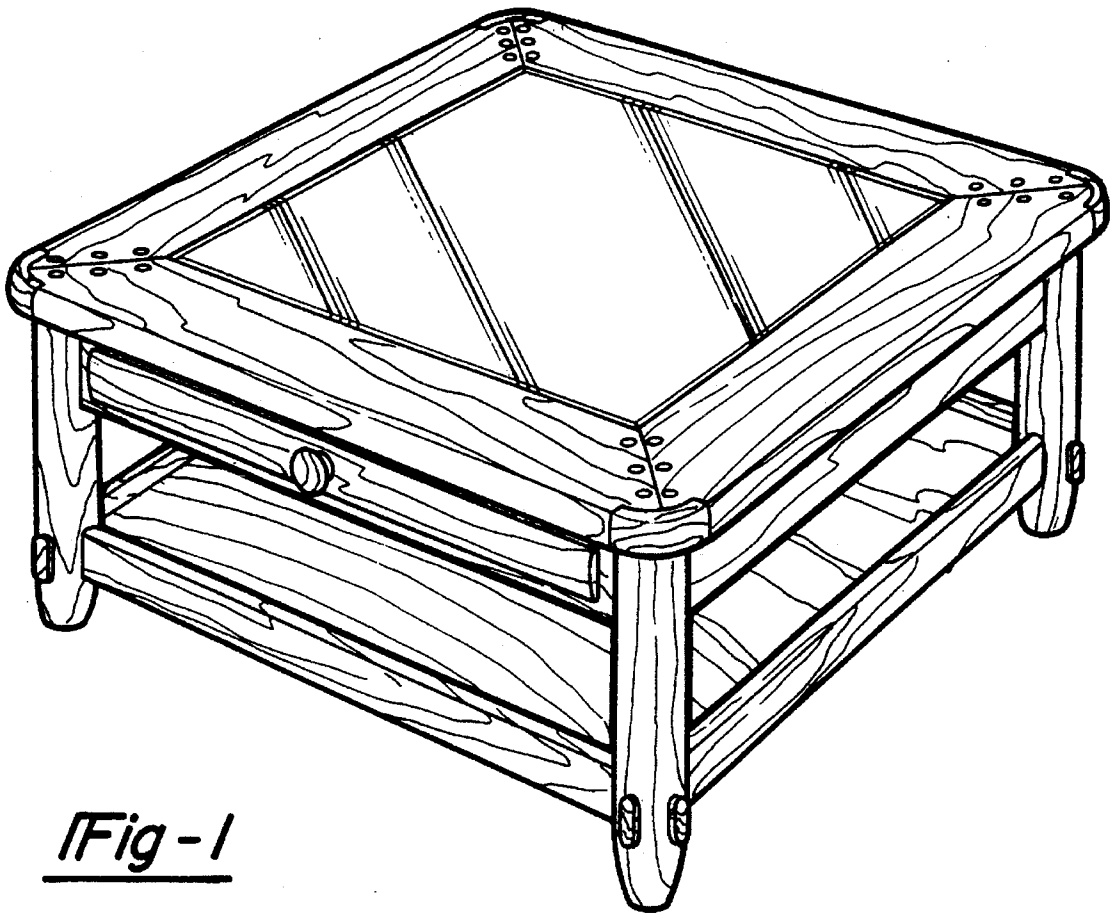


Fig - 1

Fig - 2

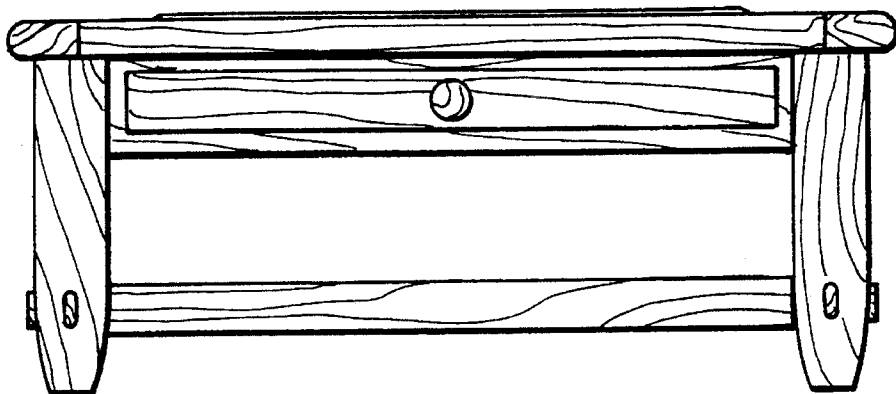


Fig - 3

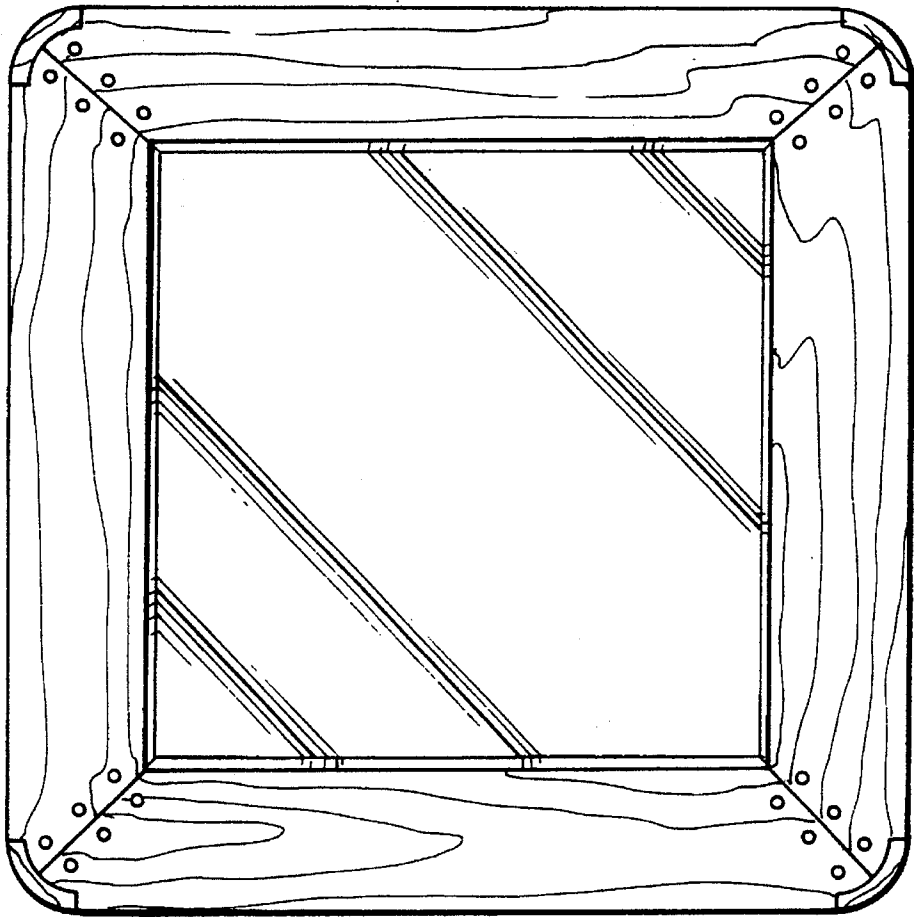


Fig - 4

