



US00D953290S

(12) **United States Design Patent**
Liu

(10) **Patent No.:** **US D953,290 S**

(45) **Date of Patent:** **** May 31, 2022**

(54) **EARPHONE**

(71) Applicant: **Beijun Liu**, Guangdong (CN)

(72) Inventor: **Beijun Liu**, Guangdong (CN)

(73) Assignee: **ZhongTian DingSheng (Shenzhen) Industry Co., Ltd**, Shenzhen (CN)

(**) Term: **15 Years**

(21) Appl. No.: **29/740,495**

(22) Filed: **Jul. 4, 2020**

(51) **LOC (13) Cl.** **14-01**

(52) **U.S. Cl.**

USPC **D14/205**; D14/206

(58) **Field of Classification Search**

USPC D14/205, 206, 226, 188, 192; D29/112;
2/209; D28/41; 132/275; 362/105;
381/380, 381, 370

CPC F21V 21/084; F21V 33/00; G02B 27/01;
G02B 27/017; H04R 25/00; H04R 25/02;
H04R 1/1066; H04R 1/1016; H04R
5/033; H04R 5/0335; H04R 1/02; H04R
1/10; H04R 1/1041; H04R 9/06

See application file for complete search history.

(56) **References Cited**

U.S. PATENT DOCUMENTS

D342,947 S *	1/1994	Totsuka	D14/205
D418,509 S *	1/2000	Zeitman	D14/205
6,295,366 B1 *	9/2001	Haller	H04R 5/0335
				379/430
6,449,806 B1 *	9/2002	Engelhard	H04R 5/0335
				381/376
D651,586 S *	1/2012	Lee	D14/205
D656,480 S *	3/2012	McManigal	D14/205
D659,672 S *	5/2012	Lee	D14/205
D672,744 S *	12/2012	Scarpa	D14/205
D691,111 S *	10/2013	Lee	D14/206

D723,509 S *	3/2015	Garland	D14/205
D724,561 S *	3/2015	Ko	D14/205
D727,278 S *	4/2015	Solomon	D14/205
9,036,849 B2 *	5/2015	Thompson	H04R 1/083
				381/370
D734,736 S *	7/2015	Jin	D14/206
D739,843 S *	9/2015	Daniel	D14/205
D745,859 S *	12/2015	Kiuchi	D14/205
D769,219 S *	10/2016	Ohmachi	D14/205
D778,258 S *	2/2017	Hsu	D14/205
D841,620 S *	2/2019	Liu	D14/206
D845,927 S *	4/2019	Wang	D14/206
D851,063 S *	6/2019	Deng	D14/206
D856,967 S *	8/2019	Tang	D14/206
D856,968 S *	8/2019	Tang	D14/206

(Continued)

FOREIGN PATENT DOCUMENTS

CN	306941733	*	11/2021
CN	307191723	*	3/2022

(Continued)

Primary Examiner — Paula Allen Greene

(74) *Attorney, Agent, or Firm* — Justin Lampel

(57) **CLAIM**

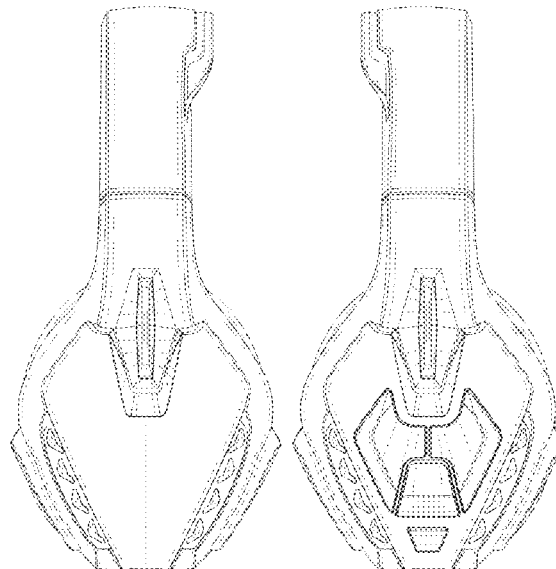
The ornamental design for earphone, as shown and described.

DESCRIPTION

FIG. 1 is a front elevational view thereof;
FIG. 2 is a rear elevational view thereof;
FIG. 3 is a left side view thereof;
FIG. 4 is a right side view thereof;
FIG. 5 is a top plan view thereof.
FIG. 6 is a bottom plan view thereof; and,
FIG. 7 is a perspective view of a earphone showing my new design.

The broken lines to the earphone form no part of the claimed design

1 Claim, 6 Drawing Sheets



(56)

References Cited

U.S. PATENT DOCUMENTS

D866,515 S * 11/2019 Long D14/206
D870,696 S * 12/2019 Deng D14/206
D870,698 S * 12/2019 Long D14/206
D876,392 S * 2/2020 Zhou D14/206
D883,950 S * 5/2020 Liu D14/206
D890,131 S * 7/2020 Shen D14/206
D894,869 S * 9/2020 Tang D14/206
D904,339 S * 12/2020 Wang D14/205
D908,110 S * 1/2021 Zhou D14/206
D909,337 S * 2/2021 Liu D14/206
D916,681 S * 4/2021 He D14/206
D931,831 S * 9/2021 Liu D14/206
D935,439 S * 11/2021 Zheng D14/206
D935,442 S * 11/2021 Liu D14/206
D941,802 S * 1/2022 He D14/206
D941,803 S * 1/2022 He D14/206
D945,394 S * 3/2022 Zhu D14/206
D946,551 S * 3/2022 Liu D14/205
2010/0040252 A1 * 2/2010 Thompson H04R 1/083
381/375
2011/0135134 A1 * 6/2011 Essabar H04R 1/1033
381/374
2011/0194721 A1 * 8/2011 Schmidt H04R 1/1066
381/370
2020/0288234 A1 * 9/2020 Fletcher H04R 1/1066

FOREIGN PATENT DOCUMENTS

EM 008552897-0001 * 5/2021
GB 9004662682-0003 * 1/2018
GB 6125012 * 3/2021

* cited by examiner



FIG. 1



FIG.2

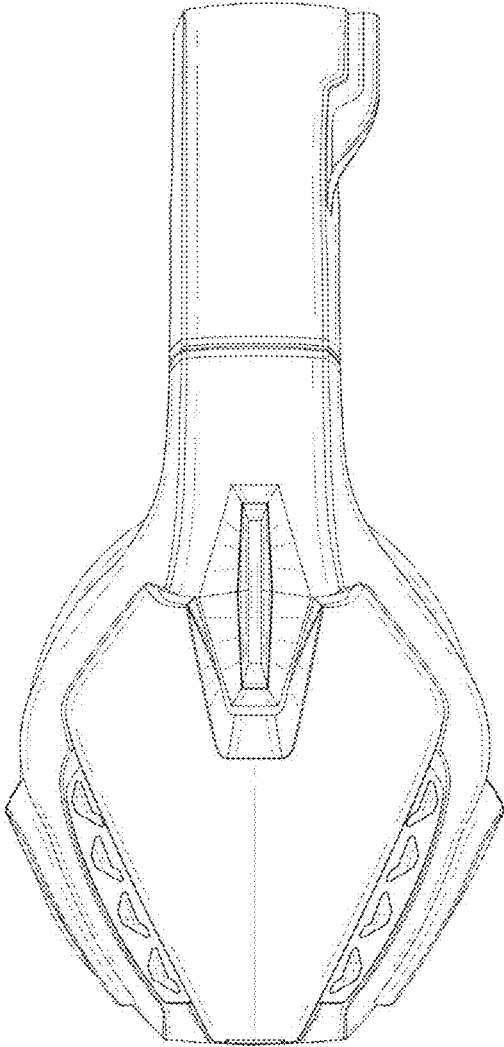


FIG.3

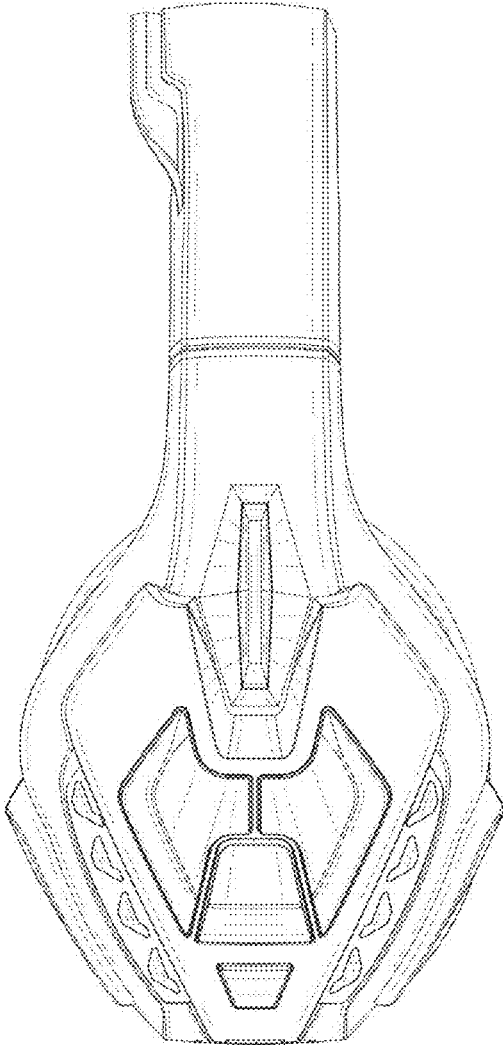


FIG.4

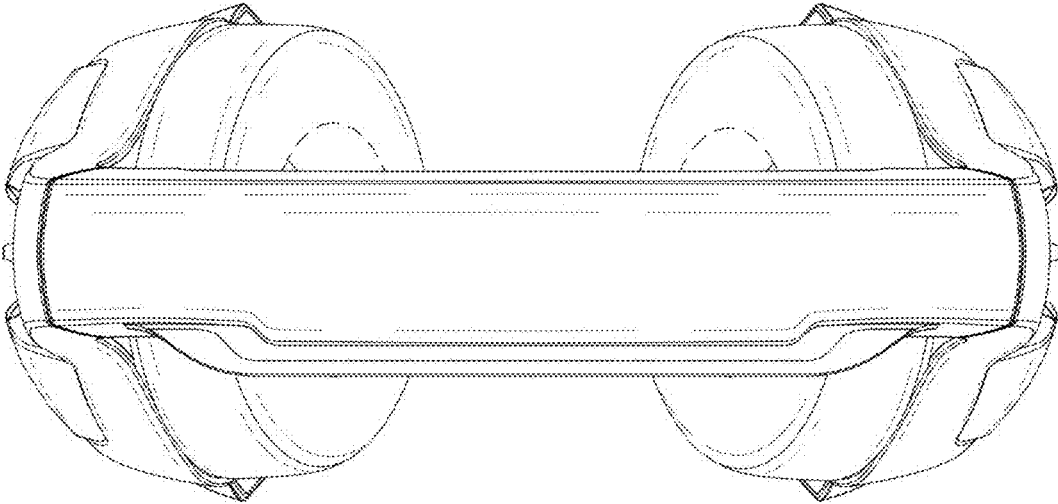


FIG.5

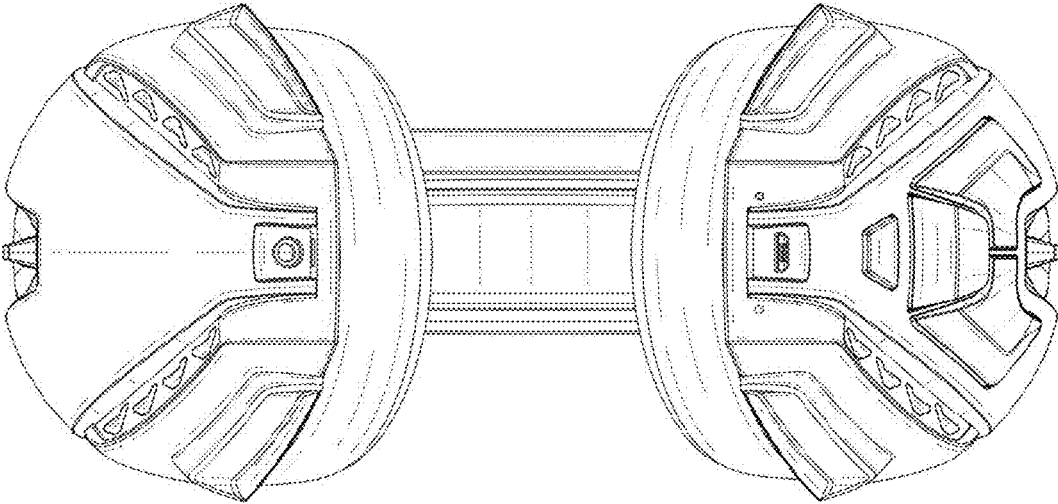


FIG.6

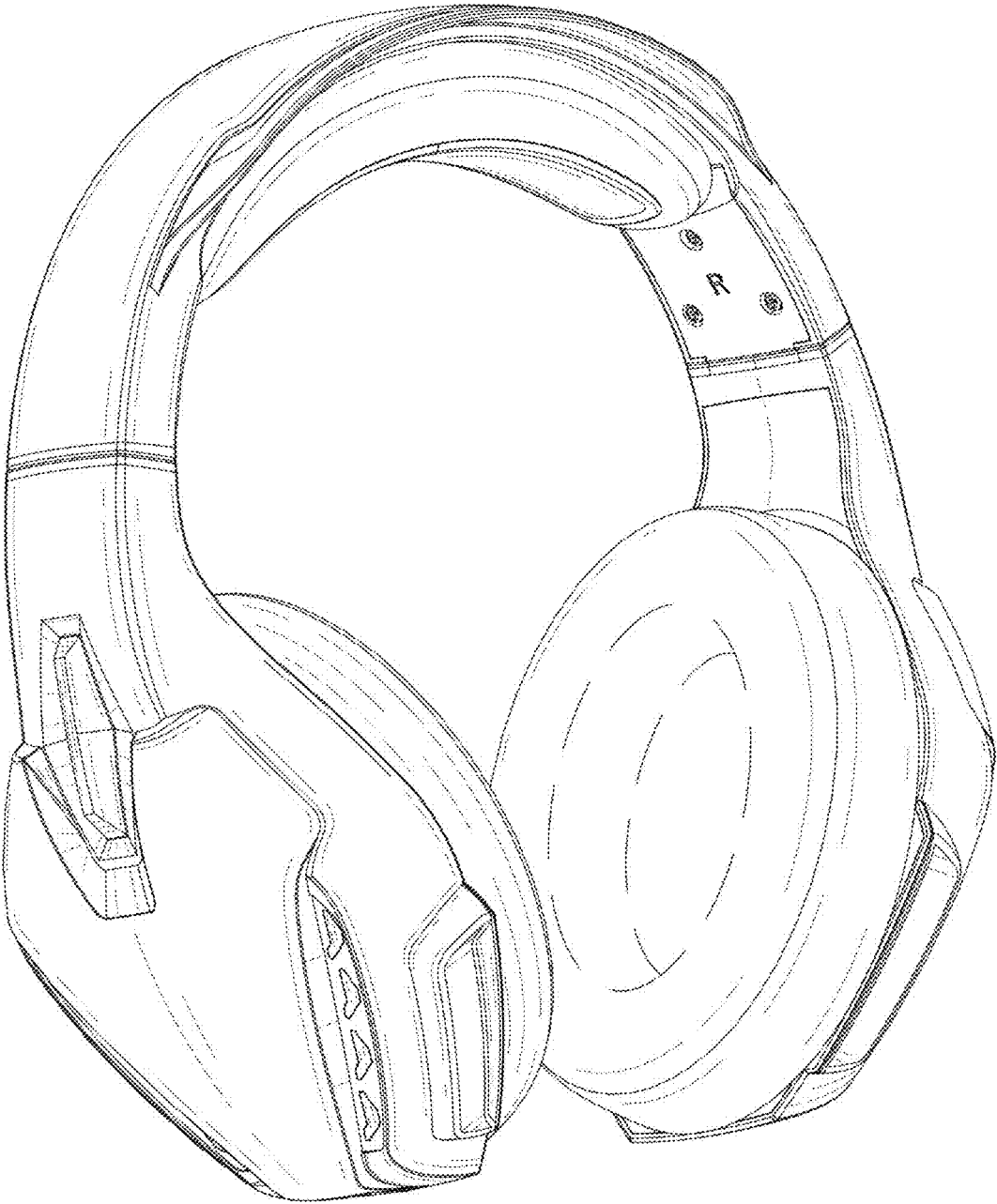


FIG. 7