



US00D351562S

# United States Patent [19]

[11] Patent Number: **Des. 351,562**

Moffatt et al.

[45] Date of Patent: **\*\* Oct. 18, 1994**

[54] **CURRENT SENSING DEVICE**

5,103,165 4/1992 Sirattz ..... 324/133

[75] Inventors: **W. Keith Moffatt**, Freeport; **John T. Hagan**, Rockford, both of Ill.

**OTHER PUBLICATIONS**

Electric Finder™ FCB International Co. (no dated provided).

[73] Assignee: **Greenlee Textron Inc.**, Rockford, Ill.

*Primary Examiner*—Alan P. Douglas

[\*\*] Term: **14 Years**

*Assistant Examiner*—Antoine D. Davis

[21] Appl. No.: **10,309**

*Attorney, Agent, or Firm*—Trexler, Bushnell, Giangiori & Blackstone, Ltd.

[22] Filed: **Jul. 2, 1993**

[52] U.S. Cl. .... **D10/78; D19/49; D19/56**

[57] **CLAIM**

The ornamental design for a current sensing device, as shown and described.

[58] **Field of Search** ..... 324/72, 72.5, 149, 133, 324/158, 501, 519, 527, 530, 555, 556; D10/77, 78, 103; D19/49, 56

**DESCRIPTION**

FIG. 1 is a perspective view of the current sensing device;

FIG. 2 is a front elevational view thereof;

FIG. 3 is a top plan view thereof;

FIG. 4 is a left side elevational view thereof, the right side being a mirror image thereof;

FIG. 5 is a bottom plan view thereof; and,

FIG. 6 is a rear elevational view thereof.

[56] **References Cited**

**U.S. PATENT DOCUMENTS**

299,318	1/1989	Chiang .....	D10/78
D. 342,087	12/1993	Mear et al. ....	D19/49 X
D. 342,088	12/1993	Sonntag et al. ....	D19/49 X
3,826,981	7/1974	Ross .....	324/72.5
3,919,631	11/1975	Brown .....	324/133 X

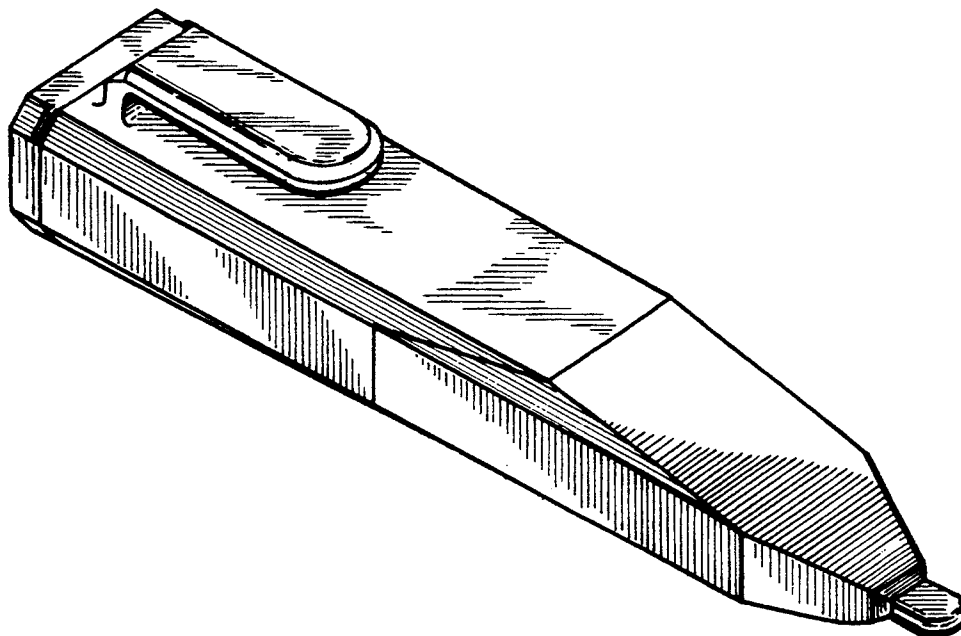


FIG. 1

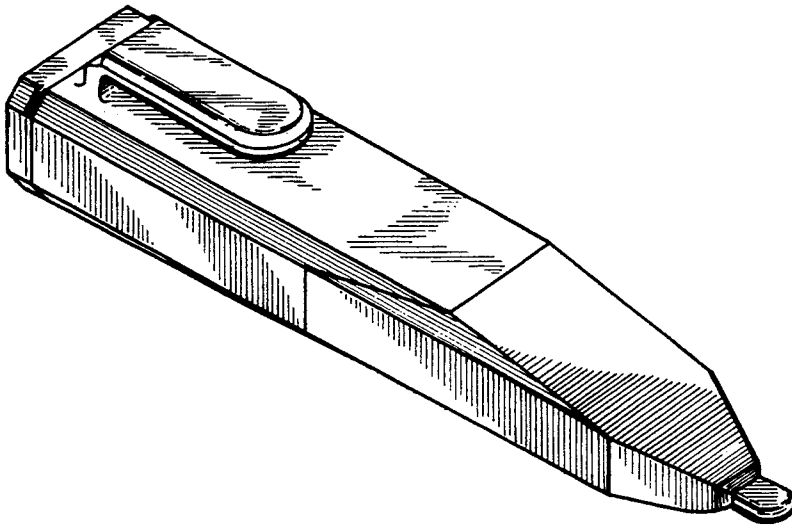


FIG. 2

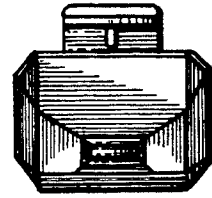


FIG. 3

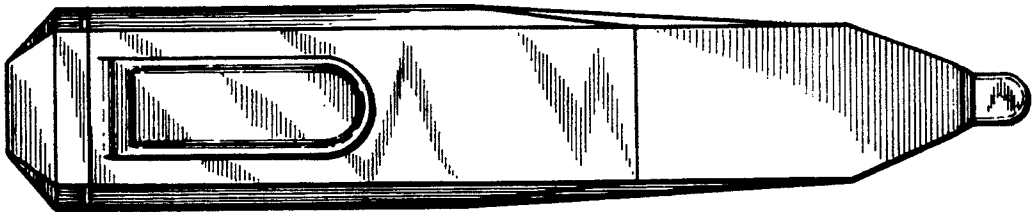


FIG. 4

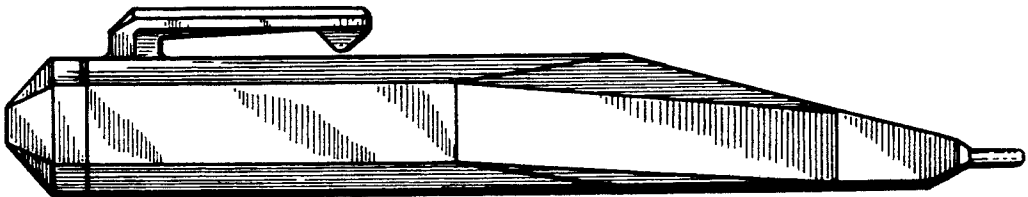


FIG. 5

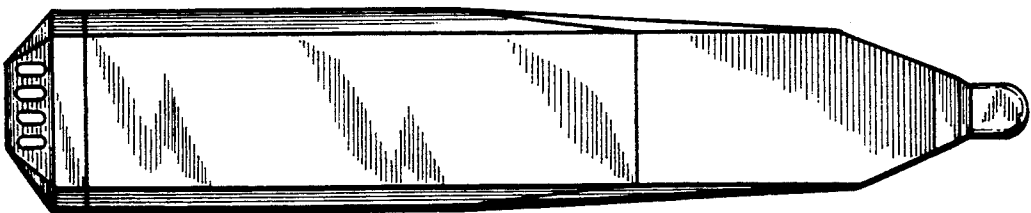


FIG. 6

