



US00D862976S

(12) **United States Design Patent** (10) **Patent No.:** **US D862,976 S**
Melanson et al. (45) **Date of Patent:** **** Oct. 15, 2019**

(54) **LID FOR A BEVERAGE CONTAINER**
(71) Applicant: **OTTER PRODUCTS, LLC**, Fort Collins, CO (US)
(72) Inventors: **Christopher J. Melanson**, Fort Collins, CO (US); **Shanshan Li**, Fort Collins, CO (US); **Ross V. Bulkley**, Loveland, CO (US); **Alex S. Breeden**, Fort Collins, CO (US)

D321,628 S 11/1991 Kobayashi et al.
D346,718 S 5/1994 Timmermans
D371,304 S 7/1996 Onneweer
D375,019 S 10/1996 Goto et al.
D390,462 S 2/1998 Mao
D403,079 S 12/1998 Pawlak et al.
5,909,821 A 6/1999 Guridi
D415,651 S 10/1999 Trombly

(Continued)

FOREIGN PATENT DOCUMENTS

(73) Assignee: **Otter Products, LLC**, Fort Collins, CO (US)

EP 2555658 A1 2/2013

(**) Term: **15 Years**

OTHER PUBLICATIONS

(21) Appl. No.: **29/603,417**

US D775,903 S, 01/2017, Seiders et al. (withdrawn)

(22) Filed: **May 9, 2017**

(Continued)

(51) **LOC (12) Cl.** **07-99**

Primary Examiner — Karen S Acker
Assistant Examiner — Steven B Reinholdt, Jr.

(52) **U.S. Cl.**
USPC **D7/392**

(57) **CLAIM**

(58) **Field of Classification Search**
USPC D9/452, 453, 454, 435, 447, 449;
D7/391, 392, 392.1, 510, 511, 538, 540,
D7/542, 543, 544, 545, 629
CPC ... A47G 19/2205; A47G 19/2222; A45F 3/16;
A45F 3/20; B67D 7/06; B67D 7/0004;
B65D 25/14; B65D 47/065; B65D
47/066; B65D 2543/00101; B65D
2543/00027

The ornamental design for a lid for a beverage container, as shown and described.

DESCRIPTION

See application file for complete search history.

FIG. 1 is a front, top perspective view of a lid for a beverage container showing our new design;
FIG. 2 is a rear, bottom perspective view thereof;
FIG. 3 is a front view thereof;
FIG. 4 is a rear view thereof;
FIG. 5 is a left view thereof;
FIG. 6 is a right view thereof;
FIG. 7 is a top view thereof; and,
FIG. 8 is a bottom view thereof.

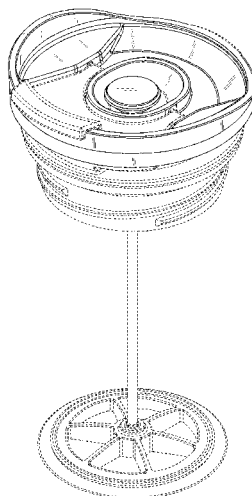
The dash-dash broken lines throughout the drawing figures depict portions of the lid for a beverage container that form no part of the claimed design. The broken lines and unshaded surfaces bounded by broken lines form no part of the claimed design.

(56) **References Cited**

U.S. PATENT DOCUMENTS

2,608,841 A 9/1952 Rice
2,754,866 A 7/1956 Coltman
2,957,596 A 10/1960 Rehborg
3,312,366 A 4/1967 Harry
4,518,639 A 5/1985 Phillips
D282,234 S 1/1986 Henderson
D282,897 S 3/1986 Conti et al.
D287,919 S 1/1987 Clements

1 Claim, 8 Drawing Sheets



(56)

References Cited

U.S. PATENT DOCUMENTS

6,059,140	A	5/2000	Hicks	8,777,048	B2	7/2014	Choi et al.
D429,118	S	8/2000	Hurlbut	D712,254	S	9/2014	Geis et al.
D441,288	S	5/2001	Pillers et al.	D712,720	S	9/2014	Seiders
D450,583	S	11/2001	Freed	D712,721	S	9/2014	Seiders
D450,982	S	11/2001	Gaze et al.	D712,722	S	9/2014	Seiders
6,324,966	B1	12/2004	Joergensen	D712,723	S	9/2014	Seiders
D455,052	S	4/2002	Gullickson et al.	D714,125	S	9/2014	Seiders
D455,612	S	4/2002	Gullickson et al.	8,844,762	B2	9/2014	Chiou et al.
6,422,133	B1	7/2002	Brady	D714,584	S	10/2014	Boroski
D476,859	S	7/2003	Short	D716,657	S	11/2014	Caneer
D479,800	S	9/2003	McRae	D719,827	S	12/2014	Duran et al.
6,626,326	B2	9/2003	Murakami	8,905,252	B2	12/2014	Latham et al.
D482,607	S	11/2003	McRae	8,910,819	B2	12/2014	Seiders
D488,960	S	4/2004	Wahl et al.	8,939,305	B2	1/2015	Meyers et al.
6,763,964	B1	7/2004	Hurlbut et al.	D722,474	S	2/2015	Seiders
6,797,304	B2	9/2004	McGonagle	D722,475	S	2/2015	Seiders
D505,294	S	5/2005	Gauss	D723,918	S	3/2015	Karl et al.
7,011,227	B2	3/2006	Ward et al.	D725,966	S	4/2015	Boroski et al.
D524,909	S	7/2006	Bakke et al.	D727,097	S	4/2015	Sorensen et al.
D533,032	S	12/2006	Liu et al.	D727,457	S	4/2015	Seiders
D547,607	S	7/2007	Forsman	D729,579	S	5/2015	Molayem
D547,610	S	7/2007	Edelstein et al.	D731,614	S	6/2015	Seiders
D548,012	S	8/2007	Tien	D732,348	S	6/2015	Seiders et al.
D564,841	S	3/2008	Clemens et al.	D732,349	S	6/2015	Seiders et al.
D570,213	S	6/2008	Newman	D732,350	S	6/2015	Seiders et al.
D572,981	S	7/2008	Carreno	D732,392	S	6/2015	Duran et al.
D574,192	S	8/2008	Schösser	D732,899	S	6/2015	Seiders et al.
D584,569	S	1/2009	Buchman et al.	D733,497	S	7/2015	Sorensen et al.
D584,925	S	1/2009	Buchman et al.	D736,622	S	8/2015	Nishijima et al.
D587,533	S	3/2009	Carreno	9,107,541	B2	8/2015	Bodum
D592,906	S	5/2009	Allen et al.	9,113,698	B2	8/2015	Blain et al.
7,533,783	B2	5/2009	Choi et al.	D739,174	S	9/2015	Elsaden et al.
7,578,231	B2	8/2009	Liu	9,139,352	B2	9/2015	Seiders et al.
D605,040	S	12/2009	Fry et al.	D740,605	S	10/2015	Wodka et al.
D621,257	S	8/2010	Gullickson et al.	D742,684	S	11/2015	Hurley et al.
D623,480	S	9/2010	Moran	D743,269	S	11/2015	Papé
D623,481	S	9/2010	Moran	9,187,232	B2	11/2015	Seiders
D623,896	S	9/2010	Wahl et al.	D748,942	S	2/2016	Boroski et al.
D626,837	S	11/2010	Meyers et al.	D751,338	S	3/2016	Seiders et al.
D628,018	S	11/2010	Gilbert	D751,339	S	3/2016	Seiders et al.
D630,093	S	1/2011	Bardet	D751,340	S	3/2016	Seiders et al.
D631,284	S	1/2011	Fuller	D751,341	S	3/2016	Seiders et al.
D634,160	S	3/2011	Cetera	D752,347	S	3/2016	Seiders et al.
D639,177	S	6/2011	Pape	D752,397	S	3/2016	Seiders et al.
D644,060	*	8/2011	Komeiji D7/392.1	D752,434	S	3/2016	Willows et al.
D644,489	S	9/2011	Trombly	D752,976	S	4/2016	Koffel et al.
D651,847	S	1/2012	Gilbert	D753,482	S	4/2016	Serrano et al.
D651,852	S	1/2012	George	D754,483	S	4/2016	Elsaden et al.
D656,360	S	3/2012	Miller et al.	D754,486	S	4/2016	Ott
D657,196	S	4/2012	Beyers	D757,496	S	5/2016	Julier et al.
D658,006	S	4/2012	Yao	9,351,597	B2	5/2016	Liu et al.
D659,007	S	5/2012	Pape	D758,127	S	6/2016	Zhao
D660,648	S	5/2012	Gilbert	D758,137	S	6/2016	Soltz et al.
8,191,727	B2	6/2012	Davies et al.	D758,791	S	6/2016	Hanna et al.
8,251,247	B1	8/2012	Breckner	D758,792	S	6/2016	Karussi
8,313,644	B2	11/2012	Harris et al.	D759,485	S	6/2016	Boroski et al.
D672,198	S	12/2012	Soltz et al.	D760,026	S	6/2016	Smith et al.
D672,618	S	12/2012	Stamper et al.	D760,586	S	7/2016	Seiders et al.
D672,648	S	12/2012	Goto et al.	D761,609	S	7/2016	Gamelli et al.
D675,059	S	1/2013	Carreno	D761,619	S	7/2016	Seiders et al.
D682,034	S	5/2013	El-Saden et al.	D761,648	S	7/2016	Karl et al.
8,469,226	B2	6/2013	Davies et al.	D762,117	S	7/2016	Joseph et al.
D686,871	S	7/2013	Lane	9,387,961	B2	7/2016	Mithal
D689,331	S	9/2013	Staton	D762,418	S	8/2016	Sorensen et al.
D690,556	S	10/2013	Boroski	D763,076	S	8/2016	Lane et al.
D690,988	S	10/2013	Audette	D764,787	S	8/2016	Montminy
8,602,238	B2	12/2013	Ei-Saden et al.	D766,029	S	9/2016	Lin
D697,798	S	1/2014	Sorensen et al.	D766,652	S	9/2016	Joseph et al.
8,622,237	B2	1/2014	Choi et al.	D767,328	S	9/2016	Boroski et al.
D699,996	S	2/2014	Leo	D768,437	S	10/2016	Lane
D700,012	S	2/2014	Hurley et al.	D769,046	S	10/2016	Beckman et al.
D700,802	S	3/2014	Miller	9,456,710	B2	10/2016	Blain et al.
D702,092	S	4/2014	Mettler et al.	9,462,904	B2	10/2016	Coon et al.
8,695,830	B2	4/2014	Meyers et al.	D770,222	S	11/2016	Boroski et al.
D707,124	S	6/2014	Blain et al.	D771,990	S	11/2016	Horowitz
				D772,064	S	11/2016	Boroski et al.
				D772,651	S	11/2016	Leonard D7/510
				9,505,527	B1	11/2016	Campbell
				D774,359	S	12/2016	Boroski

(56)

References Cited

U.S. PATENT DOCUMENTS

D774,363 S	12/2016	Seiders et al.	D817,084 S	5/2018	Hammer	
D774,837 S	12/2016	Seiders et al.	D817,085 S	5/2018	Davis	
9,521,918 B2	12/2016	Coon et al.	D818,312 S *	5/2018	Burns	D7/396.2
D775,892 S	1/2017	Smith	D822,428 S	7/2018	Thuma et al.	
D777,508 S	1/2017	Goodwin et al.	D824,721 S	8/2018	Hu	
D779,285 S	2/2017	Seiders et al.	D825,332 S	8/2018	Miksovsky et al.	
D779,891 S	2/2017	Seiders et al.	D827,363 S *	9/2018	Matsui	D7/392.1
D779,892 S	2/2017	Seiders et al.	D828,722 S	9/2018	Davis	
D780,530 S	3/2017	Seiders et al.	D831,414 S	10/2018	Diener et al.	
D780,531 S	3/2017	Seiders et al.	D834,368 S	11/2018	Oas	
D780,532 S	3/2017	Seiders et al.	D834,882 S *	12/2018	Seiders	D7/392.1
D780,533 S	3/2017	Seiders et al.	D836,386 S	12/2018	Ayriss et al.	
D780,577 S	3/2017	Seiders et al.	D836,974 S *	1/2019	Seiders	D7/392.1
D781,145 S	3/2017	Seiders et al.	D839,049 S	1/2019	Seiders et al.	
D781,146 S	3/2017	Seiders et al.	D842,028 S	3/2019	Melanson et al.	
D781,662 S	3/2017	Seiders et al.	2005/0046211 A1	3/2005	Nole et al.	
D782,881 S	4/2017	Seiders et al.	2006/0016819 A1	1/2006	Paslawski et al.	
D783,367 S	4/2017	Seiders et al.	2007/0114236 A1	5/2007	Shiffer et al.	
D783,368 S	4/2017	Seiders et al.	2007/0175931 A1	8/2007	Leoncavallo et al.	
D784,775 S	4/2017	Seiders et al.	2007/0240580 A1	10/2007	Lusareta et al.	
D786,025 S	5/2017	Seiders et al.	2008/0011762 A1	1/2008	Boone	
D786,072 S	5/2017	Breit et al.	2008/0017654 A1	1/2008	Chu	
D787,893 S	5/2017	Seiders et al.	2008/0087624 A1	4/2008	Buckley	
D787,894 S	5/2017	Seiders et al.	2009/0236341 A1	9/2009	McKinney et al.	
9,637,270 B2	5/2017	Campbell	2010/0288782 A1 *	11/2010	Lin	A47G 19/22 220/752
D788,527 S	6/2017	Smith et al.	2011/0147421 A1	6/2011	Pedrol	
D788,544 S	6/2017	Seiders et al.	2011/0278216 A1	11/2011	Hull et al.	
D789,737 S *	6/2017	Eyal	2012/0152968 A1	6/2012	Bailey	
D790,285 S	6/2017	Seiders et al.	2012/0168441 A1	7/2012	Lane	
D790,920 S	7/2017	Goodwin et al.	2013/0043263 A1	2/2013	Yang	
D791,532 S	7/2017	Yao	2013/0119060 A1 *	5/2013	Chiou	B65D 43/02 220/254.3
D791,542 S	7/2017	Miksovsky et al.	2013/0240549 A1	9/2013	Beggins et al.	
D791,543 S	7/2017	Mulhauser et al.	2014/0061208 A1	3/2014	Boyd	
D791,549 S	7/2017	Goodwin et al.	2014/0360908 A1	12/2014	Sorensen et al.	
D792,215 S	7/2017	Eyal	2015/0041500 A1	2/2015	Ismail	
D792,216 S	7/2017	Breit et al.	2016/0153690 A1	6/2016	Patsis et al.	
9,694,953 B2	7/2017	Meyers et al.	2016/0244217 A1 *	8/2016	Maple	B65D 47/32
D793,165 S	8/2017	Rummel et al.	2016/0270602 A1	9/2016	Casey	
D794,397 S	8/2017	Seiders et al.	2016/0318693 A1	11/2016	Hein et al.	
D795,007 S	8/2017	Plassmeyer	2017/0121073 A1	5/2017	Seiders et al.	
D795,008 S	8/2017	Eyal	2017/0129665 A1	5/2017	Rolfes	
D795,012 S	8/2017	Rummel et al.	2017/0253392 A1 *	9/2017	Bann	B65D 47/0895
D795,019 S	8/2017	Seiders et al.	2017/0253396 A1 *	9/2017	Coon	B65D 47/0866
D795,020 S	8/2017	Seiders et al.				
D795,646 S	8/2017	Sorensen et al.				
D798,105 S	9/2017	Stover et al.				
9,771,189 B2	9/2017	Miksovsky et al.				
D798,668 S	10/2017	Steel et al.				
D799,320 S	10/2017	Goodwin et al.				
D799,906 S	10/2017	Seiders et al.				
D799,907 S	10/2017	Seiders et al.				
D799,908 S	10/2017	Seiders et al.				
D800,501 S	10/2017	Rummel et al.				
D801,046 S	10/2017	Bores				
D801,111 S	10/2017	Eyal				
9,776,777 B2	10/2017	Gorbald				
9,782,028 B2	10/2017	Davies et al.				
D801,746 S	11/2017	Thuma et al.				
D802,419 S	11/2017	Seiders et al.				
D802,994 S	11/2017	Seiders et al.				
D803,619 S	11/2017	Seiders et al.				
D803,632 S	11/2017	Seiders et al.				
D803,684 S	11/2017	Seiders et al.				
D804,254 S	12/2017	Seiders et al.				
D804,255 S	12/2017	Seiders et al.				
D804,256 S	12/2017	Seiders et al.				
D804,910 S	12/2017	Steel et al.				
D805,354 S	12/2017	Bielawski				
D805,852 S	12/2017	Seiders et al.				
D807,110 S	1/2018	Lown				
D807,125 S	1/2018	Seiders et al.				
D807,126 S	1/2018	Seiders et al.				
D813,593 S	3/2018	Cornu et al.				
9,908,687 B2	3/2018	Chiou et al.				
D816,397 S	5/2018	Karl et al.				

OTHER PUBLICATIONS

Amazon.com, Otterbox Elevation Tumbler with Flip Lid (20 oz), Publication date Aug. 30, 2018, [site visited Feb. 4, 2019, Available on the Internet URL https://www.amazon.com/Otterbox-Elevation-Tumbler-Flip-Lid/dp/B07DHX4NS9/ref=sr_1_3?ie=UTF8&gid=1549297189&sr=8-3&keywords=Elevation+20+Tumbler.*

Brittany A. Roston, Slash Gear, "Venture Coolers are like the camping version of OtterBox phone cases," May 9, 2017, downloaded from <https://www.slashgear.com/venture-coolers-are-like-the-camping-version-of-otterbox-phone-cases-09484519/>, 5 pages.

Genuine Thermos Brand, Mugs & Tumblers, downloaded from http://www.thermos.com/product_catalog.aspx?CatCode=MUGS May 8, 2017, 5 pages.

Kevin Curry, Gear & Grit, "OtterBox Just Beat Yeti at Its own Game with Their Venture Line of Coolers," downloaded from <https://gearandgrit.com/otterbox-venture-cooler/> May 9, 2017, 5 pages.

Otter Products, Inc, OtterBox Outdoor Venture Coolers and Elevation Tumblers, downloaded from <http://www.otterbox.com/en-us/outdoor-coming-soon-html> May 9, 2017, 2 pages.

Otterbox, PR Newswire "Unrule the Outdoors with New OtterBox Venture Coolers", downloaded from <http://www.prnewswire.com/news-releases/unrule-the-outdoors-with-new-otterbox-venture-coolers-300453988.html> May 9, 2017, 3 pages.

Pelican Consumer, Traveler Tumbler Series Drinkware, downloaded from <http://www.pelican.com/us/en/products/drinkware> May 8, 2017, 2 pages.

Tervis Official Store, Shaker Top, downloaded from <http://www.tervis.com/shaker-top> May 8, 2017, 4 pages.

(56)

References Cited

OTHER PUBLICATIONS

Tervis Official Store, Stainless Steel Tumblers, downloaded from <http://www.tervis.com/stainless-steel> May 8, 2017, 4 pages.

Tervis Official Store, Travel Lids, downloaded from <http://www.tervis.com/travel-lids> May 8, 2017, 11 pages.

Yeti Coolers, Rambler Drinkware Series, downloaded from <http://yeti.com/rambler> May 8, 2017, 6 pages.

Yeti Coolers, Yeti Accessories & Parts, downloaded May 8, 2017 from <http://yeti.com/accessories>, 5 pages.

amazon.com, "Silver Buffalo 20 oz Stainless Steel Tumbler, Red," dated Dec. 22, 2016, downloaded from <https://www.amazon.com/Silver-Buffer-Buffalo-Stainless-Steel-Tumbler/dp/BO1MT1T7WG> Jun. 13, 2018, 1 page.

Liquid Logic, "Pro32: Double Wall, Insulated Vacuum, Condensation Free Tumbler," dated Apr. 5, 2016, downloaded from www.amazon.com/Pro32-Insulated-Condensation-Tumbler-Stainless/dp/BO1DUBM6CO/ref=lp_2595554011_1_7?srs=2595554011&ie=UTF8 Jun. 13, 2018, 1 page.

Ninja, "Ninja Single Serve Cup Set," dated Jul. 13, 2013, downloaded from https://www.amazon.com/...UTF8&pd_rd_i=BO11W4XD8&pd_rd_r=4CQK27ABX6AHV038GMGF&pd_rd_w=jABEu&pd_rd_wg=zgOK2&pssc=1 on Mar. 9, 2017, 3 pages.

OtterBox, "OtterBox Elevation Tumbler (20oz)," dated Jul. 10, 2018, downloaded from <https://www.amazon.com/OtterBox-Elevation-Tumbler-Global-Stainless/dp/BOOZ7RVVN6> Dec. 15, 2018, 1 page.

Otterbox, "Elevation 10 & 20 Closed Lid," downloaded from https://www.otterbox.com/en-us/elevation-10-20/closed-lid/78-51779.html?KPID=78-51779.html?KPID=78-51779&scid=?eml_pop=no&gclid=Cj0KCQiAtvPjBRDPARIsAJfZz0pvo6AuVi-907IIGN3Ldy_bZz8-o Mar. 4, 2019, 1 page.

* cited by examiner

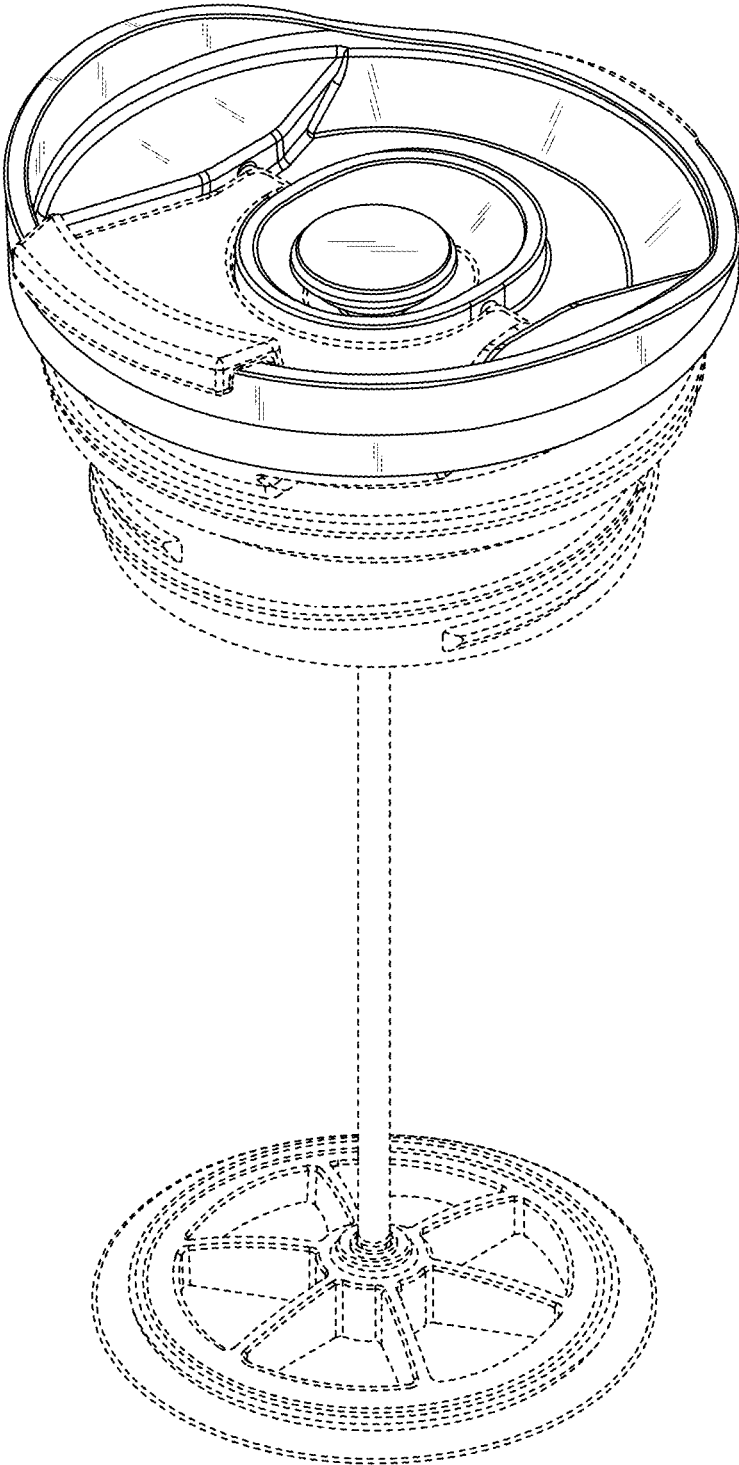


FIG. 1

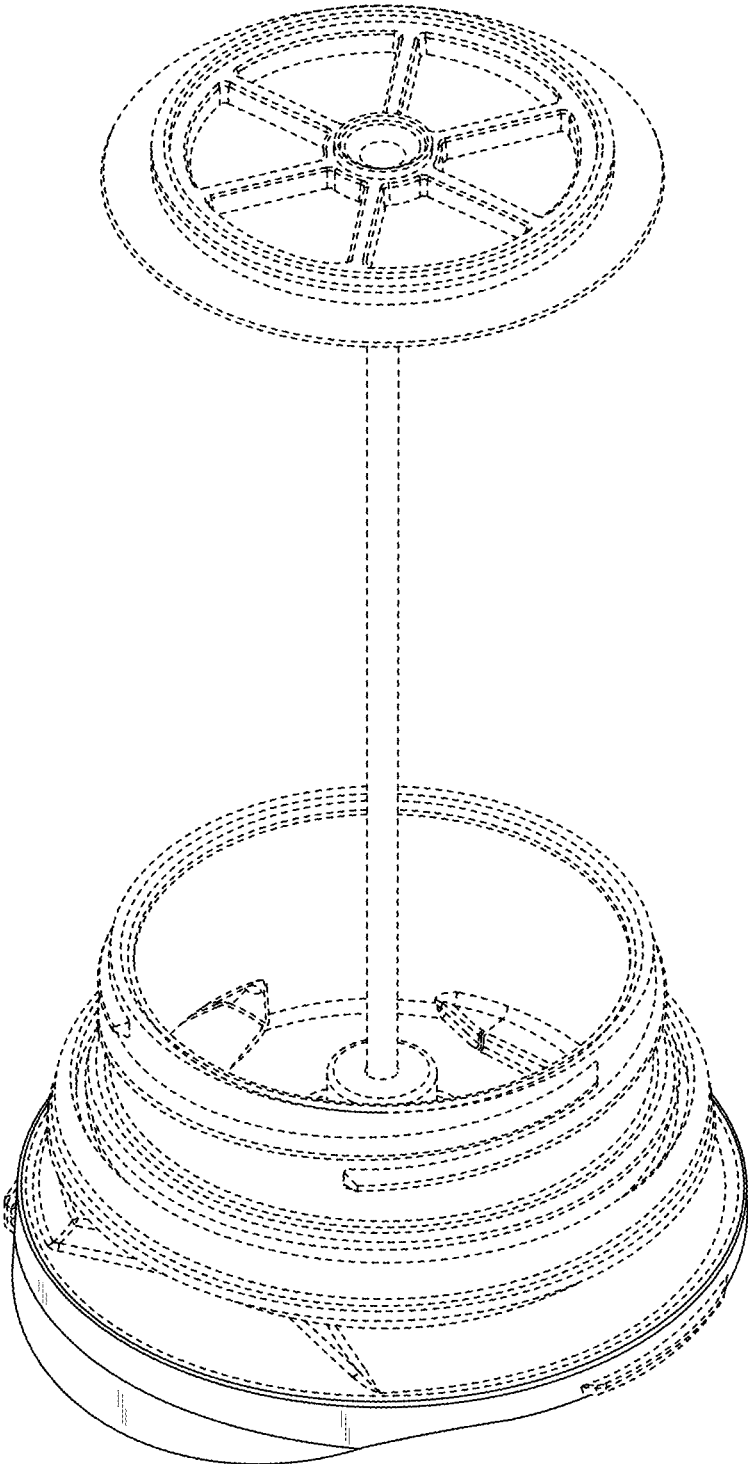


FIG. 2

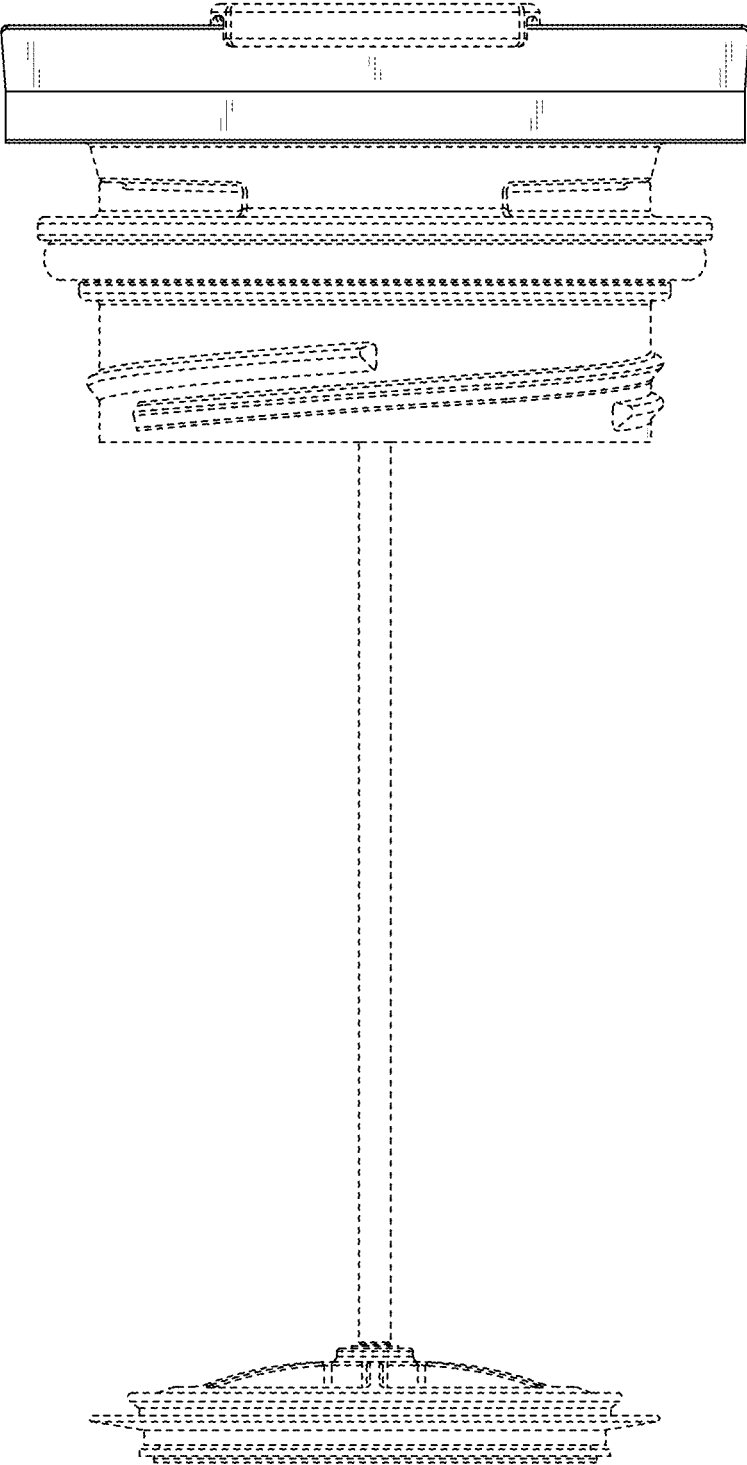


FIG. 3

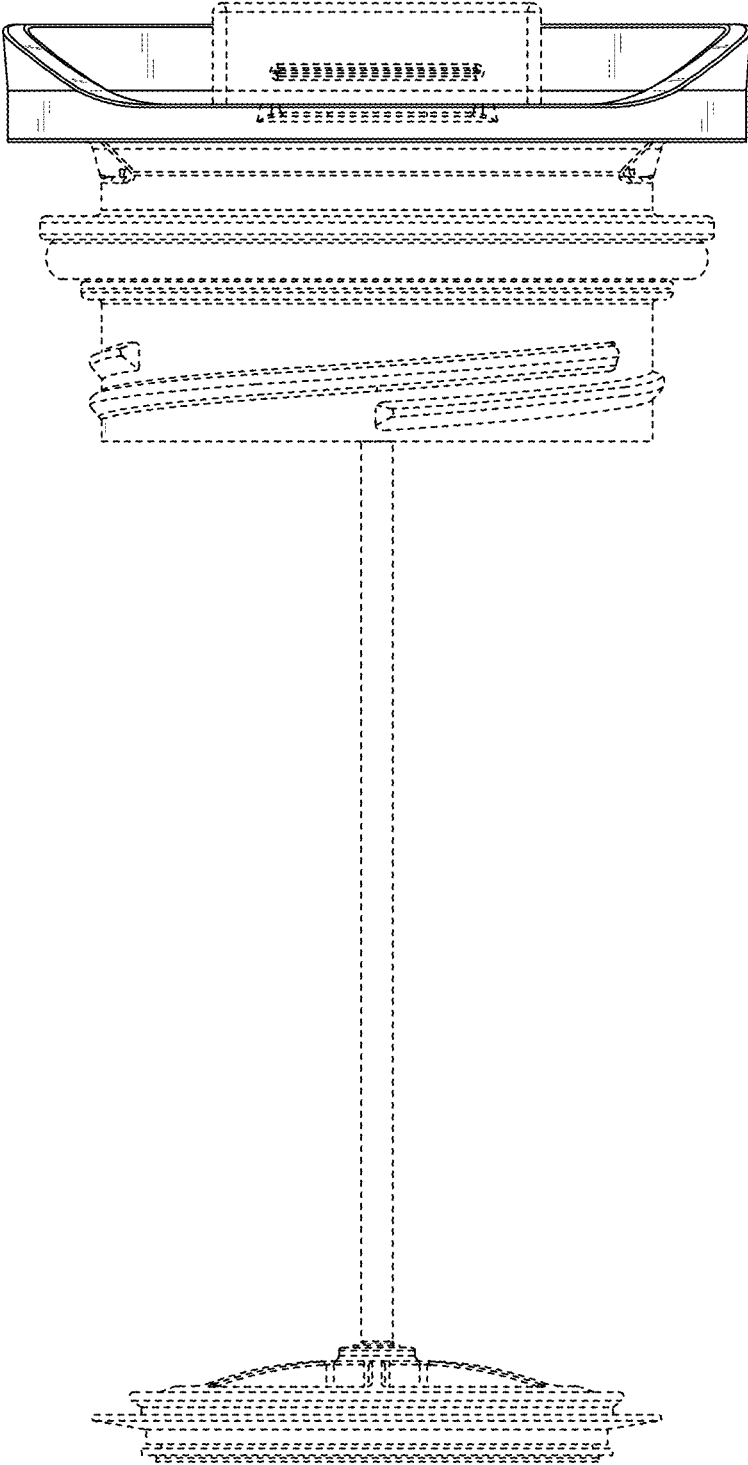


FIG. 4

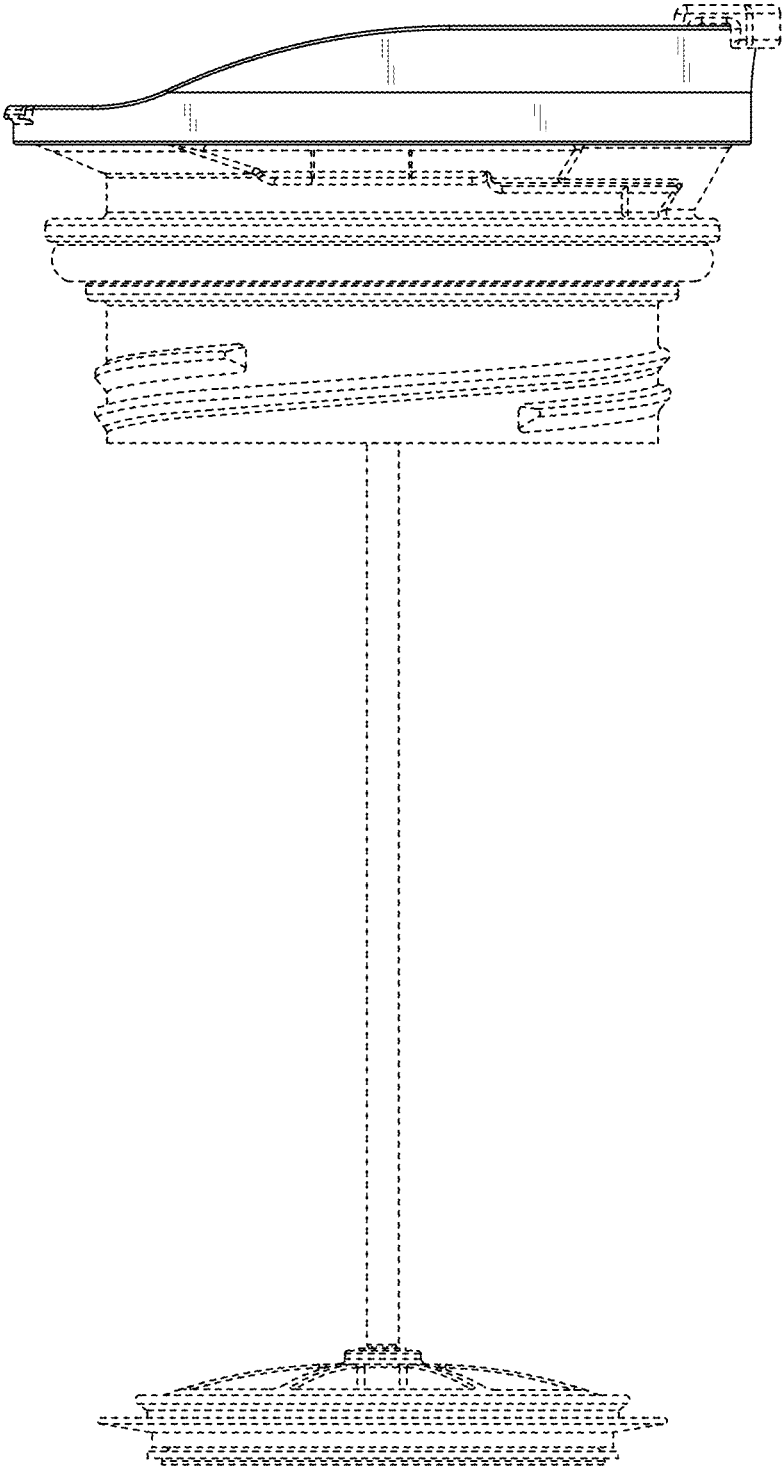


FIG. 5

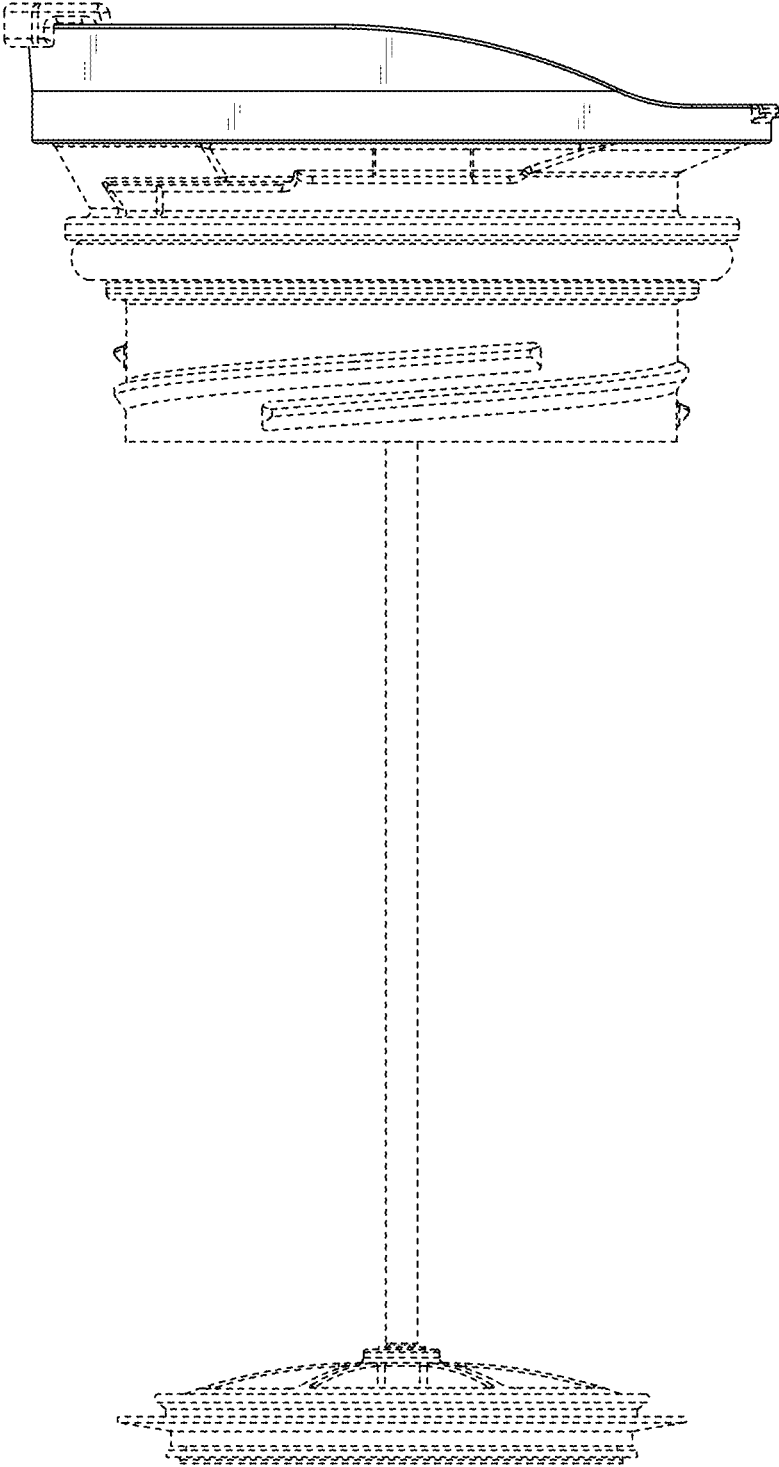


FIG. 6

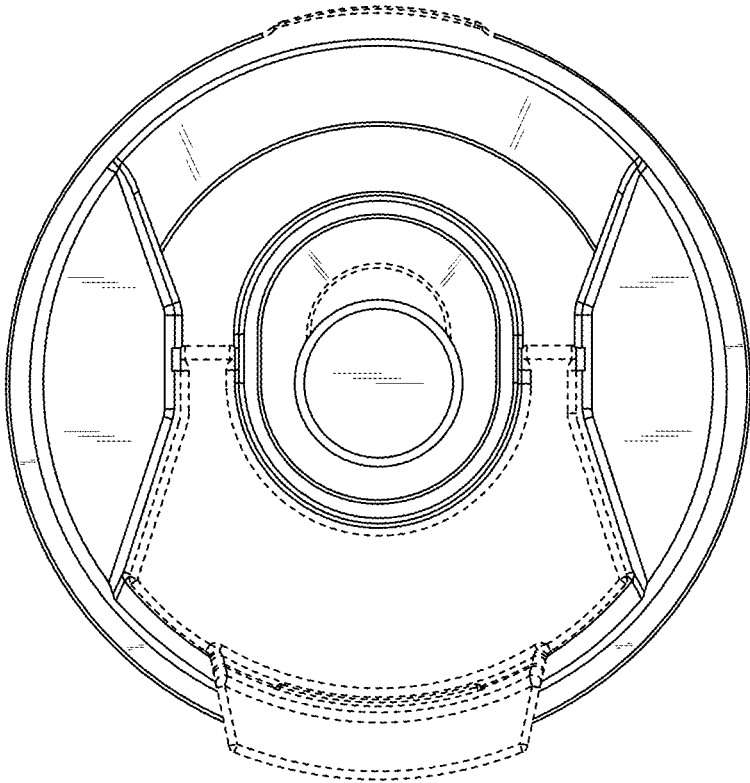


FIG. 7

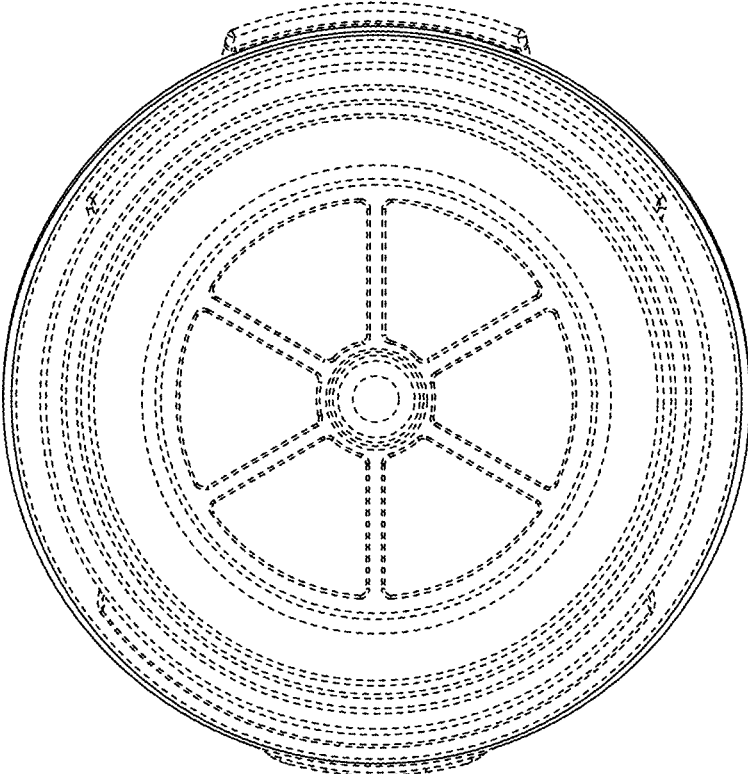


FIG. 8