



US0D1047594S

(12) **United States Design Patent**
Kristinik

(10) **Patent No.:** **US D1,047,594 S**

(45) **Date of Patent:** **** Oct. 22, 2024**

(54) **DRINKING BOTTLE**

(71) Applicant: **KFS Marketing, Inc.**, Schulenburg, TX
(US)

(72) Inventor: **Elgin R. Kristinik**, Schulenburg, TX
(US)

(73) Assignee: **KFS Marketing, Inc.**, Schulenburg, TX
(US)

(**) Term: **15 Years**

(21) Appl. No.: **29/919,607**

(22) Filed: **Dec. 5, 2023**

Related U.S. Application Data

(62) Division of application No. 29/816,788, filed on Nov. 24, 2021, now Pat. No. Des. 1,015,069.

(51) **LOC (14) Cl.** **09-01**

(52) **U.S. Cl.**
USPC **D7/509; D7/532**

(58) **Field of Classification Search**
USPC D7/509, 510, 511, 523, 603, 605, 608;
D9/428, 429, 500, 501, 523, 529, 530,
D9/531, 539, 549, 553, 560, 563, 565,
D9/575, 738; D11/143; D24/121
CPC B65D 79/005; B65D 2501/0081; B65D
23/102; B65D 2501/0036
See application file for complete search history.

(56) **References Cited**

U.S. PATENT DOCUMENTS

D339,068 S *	9/1993	Bell	D7/510
D538,657 S *	3/2007	Webb	D9/500
D540,625 S *	4/2007	Sandberg	D9/504
D569,187 S *	5/2008	Sandberg	D7/509
D649,402 S *	11/2011	Gilbert	D7/510
D690,161 S *	9/2013	Garner	D7/510

D706,582 S *	6/2014	Oas	D7/510
D707,128 S *	6/2014	Fedewa	D9/539
D714,154 S *	9/2014	Keeler	D9/449
D729,583 S *	5/2015	Lapsker	D7/510
D740,676 S *	10/2015	Brown	D9/500
D758,132 S *	6/2016	Breit	D7/510
D795,647 S *	8/2017	Heiberger	D7/511
D798,664 S *	10/2017	Kristinik	D7/509

(Continued)

FOREIGN PATENT DOCUMENTS

CA	178547	*	10/2018
CN	306767154	*	8/2021

(Continued)

OTHER PUBLICATIONS

Embrava bottle, Jul. 14, 2015, <https://www.amazon.com/Best-Sports-Water-Bottle-Eco-Friendly/dp/B011LC85PM> (Year: 2015).*

(Continued)

Primary Examiner — Brett Miller

Assistant Examiner — Nader Abadir

(74) *Attorney, Agent, or Firm* — Christopher L. Makay

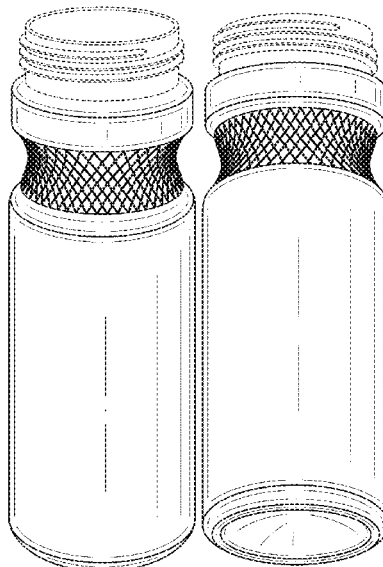
(57) **CLAIM**

The ornamental design for a drinking bottle as shown and described.

DESCRIPTION

FIG. 1 is a top perspective view of a drinking bottle showing my new design;
FIG. 2 is a bottom perspective view thereof;
FIG. 3 is a side view thereof;
FIG. 4 is a top view thereof; and,
FIG. 5 is a bottom view thereof.
The broken lines in the drawings depict environmental subject matter only and form no part of the claimed design.

1 Claim, 4 Drawing Sheets



(56)

References Cited

U.S. PATENT DOCUMENTS

D828,724	S	*	9/2018	Wall	D7/532
D839,050	S	*	1/2019	Sibbert	D7/532
D841,473	S	*	2/2019	Omdahl, II	D9/530
D841,474	S	*	2/2019	Omdahl, II	D9/530
D876,895	S	*	3/2020	McCready	D7/629
D885,130	S	*	5/2020	Roth	D7/532
D885,923	S	*	6/2020	Omdahl, II	D9/530
D889,206	S	*	7/2020	Bo	D7/532
D891,868	S	*	8/2020	Karl, IV	D7/532
D913,795	S	*	3/2021	Massucco	D7/509
D913,796	S	*	3/2021	Massucco	D7/509
D918,660	S	*	5/2021	Cui	D7/532
D962,769	S	*	9/2022	Mellen	D9/531
D986,682	S	*	5/2023	Lee	D7/532

FOREIGN PATENT DOCUMENTS

CN	306775209	*	8/2021
CN	306890293	*	10/2021

GB	6158671	*	9/2021
HK	2118289-0002	*	9/2021
WO	D213095-002	*	9/2021

OTHER PUBLICATIONS

Under Armour bottle, Feb. 4, 2021, <https://www.amazon.com/Under-Armour-Sideline-Quick-Shot-Hydration/dp/B08TQ8B1KH> (Year: 2021).*

Gatorade bottle, Dec. 23, 2020, <https://www.amazon.com/Gatorade-Insulated-Reusable-Squeeze-Bottle/dp/B08R6ZGXN7> (Year: 2020).*

CamelBak bottle, Sep. 18, 2018, <https://www.amazon.com/CamelBak-Podium-24OZ-Black-24/dp/B07HGR3S45> (Year: 2018).*

Polar bottle, Jan. 1, 2020, <https://www.amazon.com/Polar-Bottle-Breakaway-Insulated-Water/dp/B081ZNMTNG> (Year: 2020).*

* cited by examiner

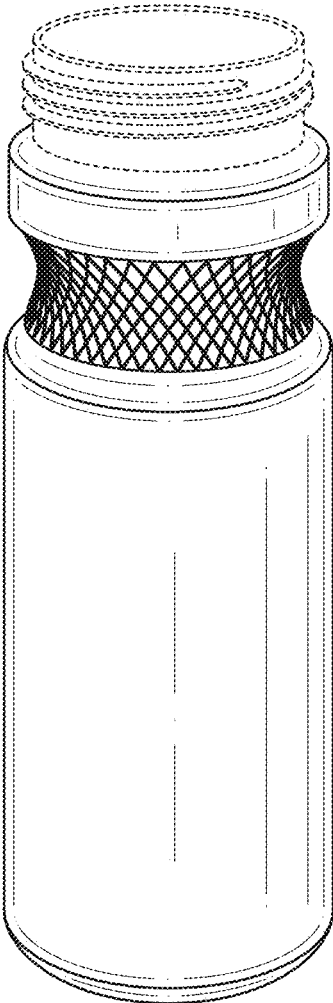


FIG. 1

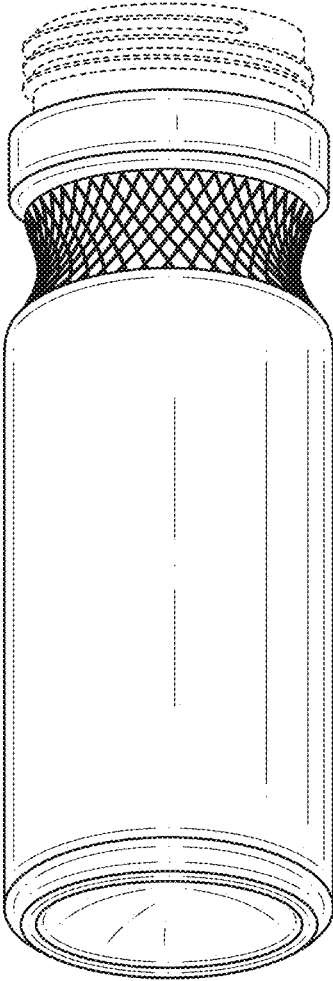


FIG. 2

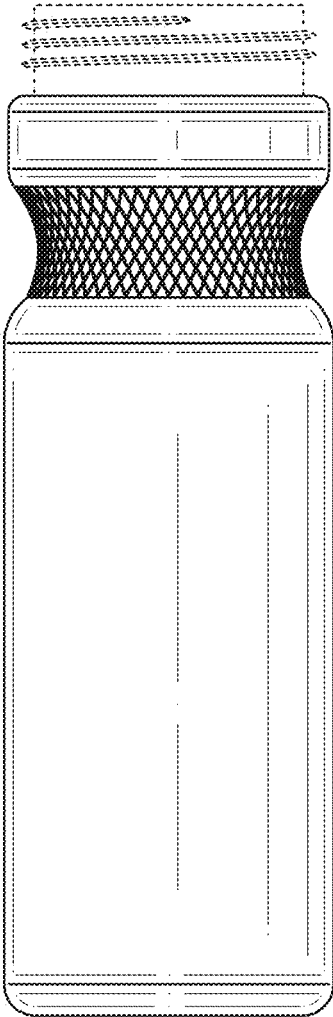


FIG. 3

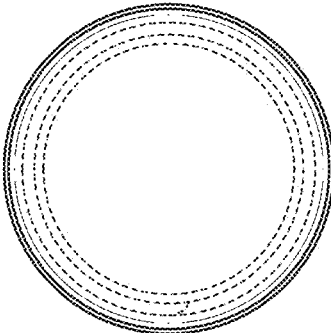


FIG. 4

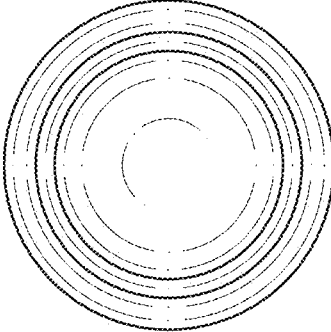


FIG. 5