



US00D984946S

(12) **United States Design Patent**
Greiving

(10) **Patent No.:** **US D984,946 S**

(45) **Date of Patent:** **** May 2, 2023**

- (54) **WHEEL**
- (71) Applicant: **Wheel Pros, LLC**, Greenwood Village, CO (US)
- (72) Inventor: **Eric Greiving**, Buena Park, CA (US)
- (73) Assignee: **Wheel Pros LLC**, Greenwood Village, CO (US)
- (**) Term: **15 Years**

D496,317 S	9/2004	Kataoka	
D499,684 S	12/2004	Cheng	
D502,438 S	3/2005	Weld	
D504,101 S *	4/2005	Pfeiffer	D12/211
D504,859 S	5/2005	Sulahian	
D505,374 S	5/2005	Aleman	
D506,967 S *	7/2005	Kamimura	D12/211
D510,307 S	10/2005	Howes	
D522,439 S *	6/2006	Laengerer	D12/211
D523,797 S	6/2006	Gallert	
D524,212 S	7/2006	Phillips	

(Continued)

(21) Appl. No.: **29/806,572**

FOREIGN PATENT DOCUMENTS

- (22) Filed: **Sep. 3, 2021**
- (51) **LOC (14) Cl.** **12-16**
- (52) **U.S. Cl.**
USPC **D12/211**

CN	306440928	*	4/2021
CN	307542367	*	9/2022
IN	367906-001-0001	*	12/2022

- (58) **Field of Classification Search**
USPC D12/204–213; D21/563
CPC B60B 7/00; B60B 7/02; B60B 7/04; B60B 7/06; B60B 3/02; B60B 3/04; B60B 3/06; B60B 3/08; B60B 3/10; B60B 1/00; B60B 1/08; B60B 1/10; B60B 1/12
See application file for complete search history.

OTHER PUBLICATIONS

ALPHAequipt Foxtrot Bronze w/Black Lip, available in TireRack.com, announced Year 2021 [online], [site visited Feb. 3, 2023], Internet URL: <https://www.tirerack.com/wheels/alphaequipt-foxtrot-bronze-w-black-lip>.*

(Continued)

(56) **References Cited**

U.S. PATENT DOCUMENTS

1,721,679 A *	7/1929	Watkins	B60B 23/04	301/26
D291,796 S	9/1987	Reid			
D361,975 S	9/1995	Weld			
D391,216 S	2/1998	Ballmann			
D408,775 S	4/1999	Shikado			
D453,492 S	2/2002	Laengerer			
D455,698 S	4/2002	Chung			
D467,212 S	12/2002	Noriega			
D470,094 S	2/2003	van Hooydonk			
D480,036 S	9/2003	Laengerer			
D482,309 S *	11/2003	Sulahian	D12/211	
D482,996 S	12/2003	Sulahian			
D492,925 S	7/2004	Fitzgerald			

Primary Examiner — Darlington Ly
Assistant Examiner — D. Ryan Tisdale
(74) *Attorney, Agent, or Firm* — Eric Hanscom

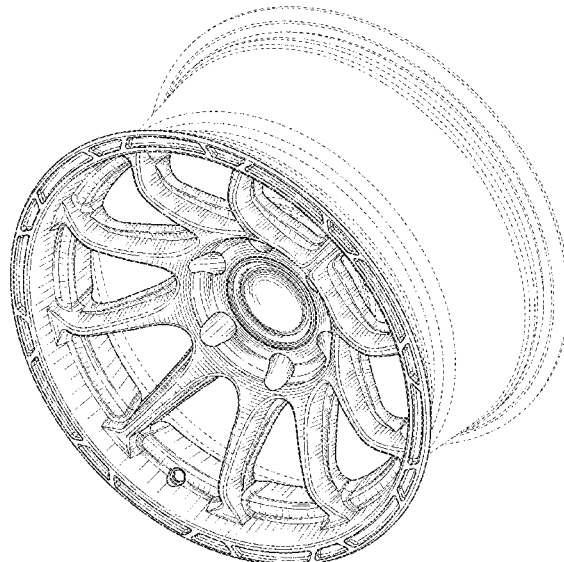
(57) **CLAIM**

The ornamental design for a wheel, as shown and described.

DESCRIPTION

FIG. 1 is a perspective view of a wheel showing my new design; and,
FIG. 2 is a front view thereof.
In the drawings, the broken lines depict portions of the wheel that form no part of the claimed design.

1 Claim, 2 Drawing Sheets



(56)

References Cited

U.S. PATENT DOCUMENTS

D524,220 S	7/2006	Scheu		D821,284 S	6/2018	Tran	
D528,495 S	9/2006	Truebsbach		D824,316 S	7/2018	Tran	
D542,209 S	5/2007	Pfeiffer		D826,827 S	8/2018	Tran	
D549,148 S	8/2007	Buschmann		D833,360 S	11/2018	Kong	
D569,777 S	5/2008	Chung		D835,023 S	12/2018	Tran	
D577,650 S	9/2008	Chung		D838,223 S	1/2019	Chung	
D579,845 S	11/2008	Chung		D840,900 S	2/2019	Lickliter	
D582,831 S	12/2008	Musser		D840,901 S	2/2019	Lickliter	
D584,210 S	* 1/2009	Baum D12/211	D840,902 S	2/2019	Lickliter	
D598,357 S	8/2009	Chung		D849,655 S	5/2019	Kong	
D617,723 S	6/2010	Zhao		D850,349 S	6/2019	Lickliter	
D623,109 S	9/2010	Markefka		D852,706 S	7/2019	Tran	
D635,903 S	4/2011	Zhang		D860,899 S	9/2019	Lickliter	
D654,007 S	2/2012	Nissl		D860,900 S	9/2019	Lickliter	
D654,420 S	2/2012	Guay		D860,901 S	9/2019	Lickliter	
D660,771 S	5/2012	Mueller-Stolz		D862,341 S	10/2019	Kong	
D669,009 S	10/2012	Chung		D879,005 S	* 3/2020	Zelenak D12/211
D686,961 S	7/2013	Chung		D893,386 S	8/2020	Chung	
D695,193 S	12/2013	Kong		D896,729 S	9/2020	Chung	
D698,298 S	1/2014	Cortes		D897,926 S	10/2020	Chung	
D698,300 S	1/2014	Chung		D899,999 S	10/2020	Kong	
D702,172 S	4/2014	Chung		D904,271 S	12/2020	Henderson	
D704,117 S	5/2014	Chung		D904,272 S	12/2020	Lickliter	
D704,617 S	5/2014	Chung		D909,272 S	2/2021	Chung	
D706,197 S	6/2014	Chung		D910,525 S	2/2021	Tran	
D707,167 S	6/2014	Chung		D911,245 S	2/2021	Chung	
D709,020 S	7/2014	Chung		D912,589 S	3/2021	Hale, Jr.	
D713,316 S	9/2014	Song		D912,591 S	3/2021	Tran	
D714,207 S	9/2014	Kim		D918,810 S	5/2021	Lickliter	
D717,709 S	11/2014	Valencia Pollex		D920,879 S	* 6/2021	Hale, Jr. D12/209
D719,893 S	12/2014	Kim		D922,928 S	6/2021	Kong	
D731,946 S	6/2015	Chung		D923,547 S	* 6/2021	Hans D12/211
D742,293 S	11/2015	Chung		D927,386 S	8/2021	Lickliter	
D753,046 S	4/2016	Liffick		D969,702 S	* 11/2022	Sempek D12/209
D756,882 S	5/2016	Tirado		D976,182 S	* 1/2023	Hans D12/209
D766,805 S	9/2016	Chung		2020/0406672 A1*	12/2020	Denmead B60B 21/104
D769,785 S	10/2016	Wells		2022/0025920 A1*	1/2022	Hulbrock F16B 39/282
D780,655 S	3/2017	Trim					
D798,786 S	10/2017	Chung					
D798,789 S	10/2017	Kong					
D799,395 S	10/2017	Chung					
D800,633 S	10/2017	Kong					
D802,512 S	11/2017	Kong					
D805,454 S	12/2017	Kong					
D805,455 S	12/2017	Kong					
D807,805 S	1/2018	Caldwell					
D808,876 S	1/2018	Caldwell					
D817,845 S	5/2018	Guidry					

OTHER PUBLICATIONS

ALPHAequipt Command Bronze Painted, available in TireRack.com, announced Year 2021 [online], [site visited Feb. 3, 2023], Internet URL: <https://www.tirerack.com/wheels/alphaequipt-command-bronze-painted>.*
 American Racing AR944 Gloss Black Painted, available in TireRack.com, announced Year 2022 [online], [site visited Feb. 3, 2023], Internet URL: <https://www.tirerack.com/wheels/american-racing-ar944-gloss-black-painted>.*

* cited by examiner

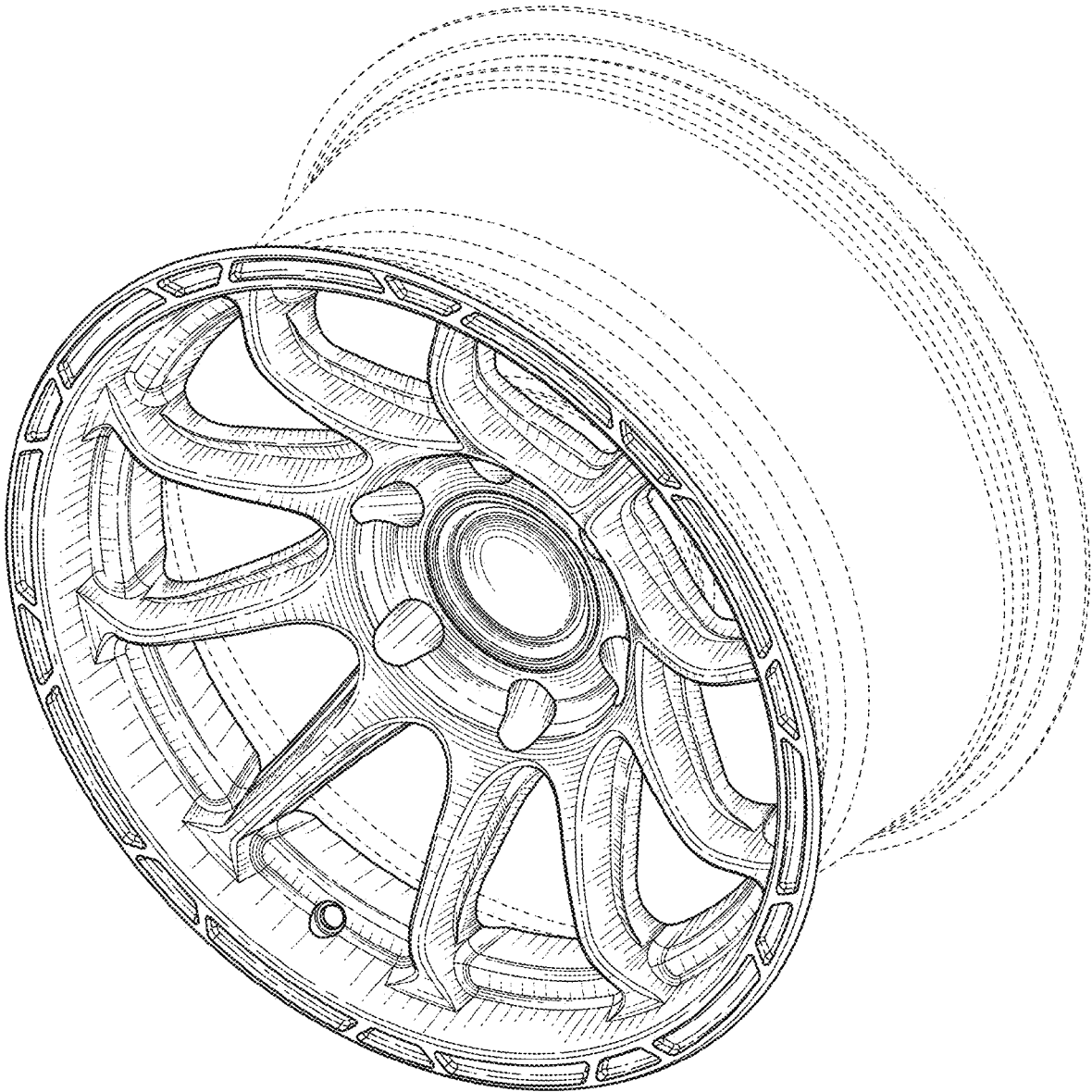


FIG. 1

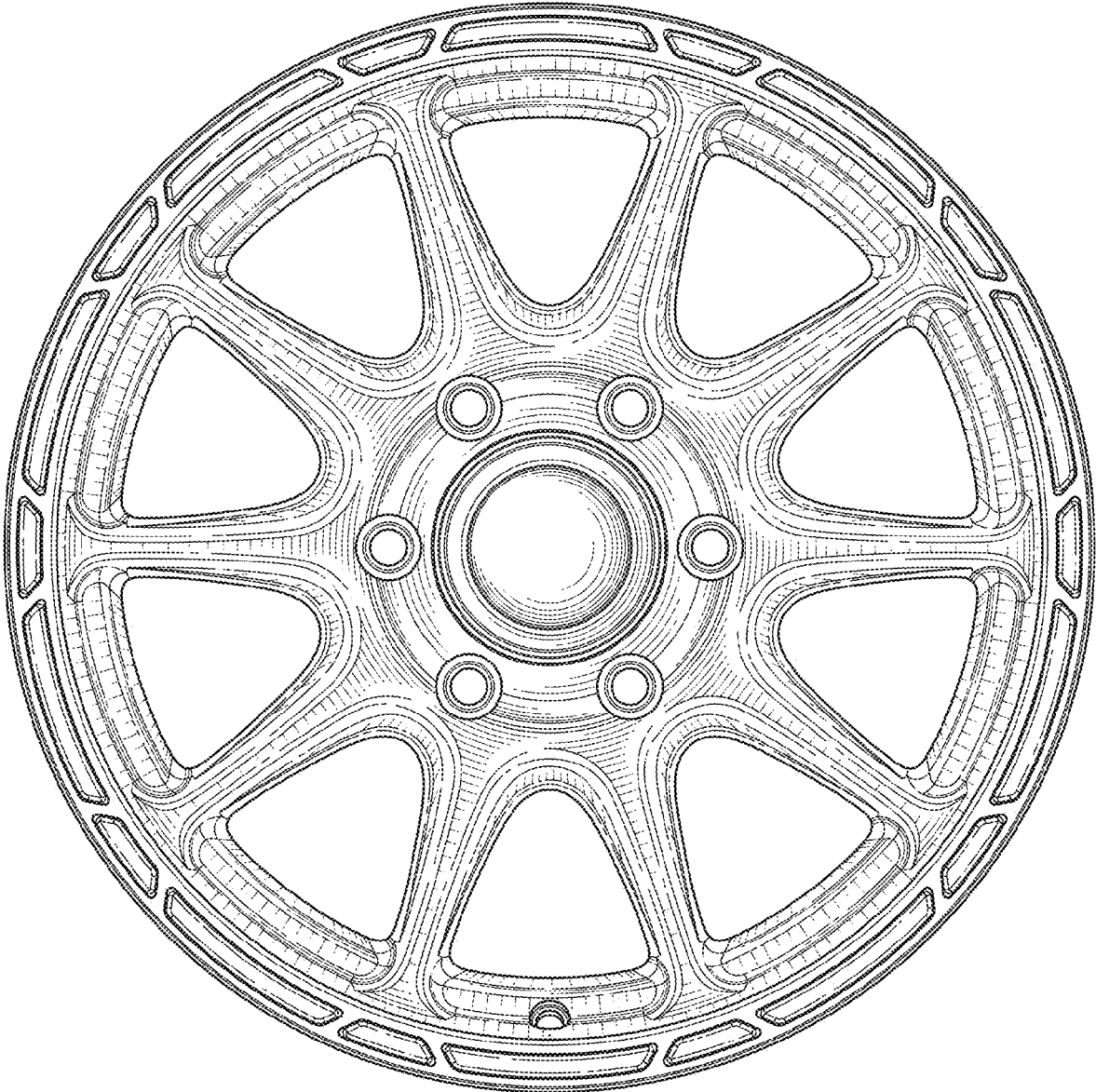


FIG. 2