



US00D406817S

**United States Patent** [19]  
**Wu**

[11] **Patent Number: Des. 406,817**  
[45] **Date of Patent: \*\*Mar. 16, 1999**

[54] **ELECTRICAL CONNECTOR**  
[75] Inventor: **Kun-Tsan Wu**, Tu-Chen, Taiwan  
[73] Assignee: **Hon Hai Precision Ind. Co., Ltd.**,  
Taipei Hsien, Taiwan  
[\*\*] Term: **14 Years**

D. 345,343	3/1994	Nakamura	.....	D13/147
D. 377,007	12/1996	Tan et al.	.....	D13/147
5,501,613	3/1996	Lenoir	.....	439/540.1
5,637,015	6/1997	Tan et al.	.....	439/607
5,676,569	10/1997	Davis	.....	439/540.1
5,738,544	4/1998	Davis	.....	439/607

[21] Appl. No.: **81,939**  
[22] Filed: **Jan. 12, 1998**

*Primary Examiner*—Joel Sincavage

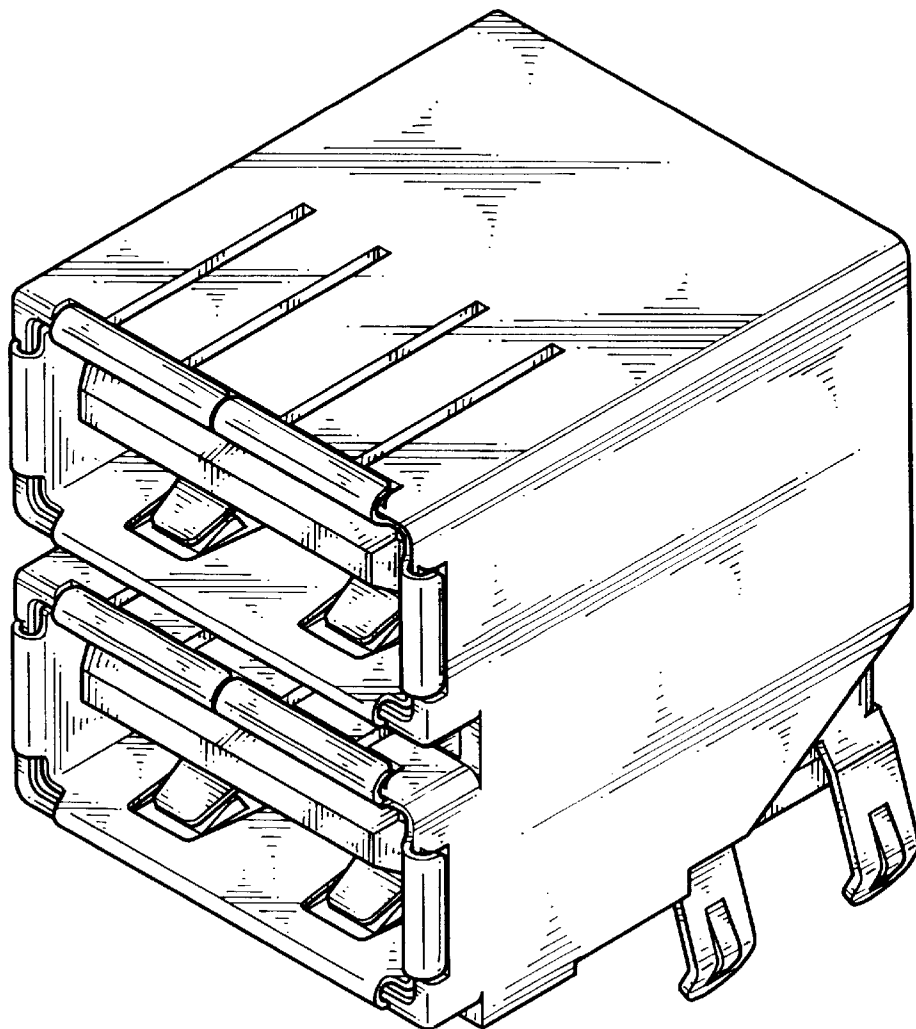
[30] **Foreign Application Priority Data**  
Aug. 21, 1997 [TW] Taiwan ..... 86307359  
[51] **LOC (6) Cl.** ..... **13-03**  
[52] **U.S. Cl.** ..... **D13/147**  
[58] **Field of Search** ..... D13/146, 147;  
439/540.1, 607, 609

[57] **CLAIM**  
The ornamental design for an electrical connector, as shown.

[56] **References Cited**  
**U.S. PATENT DOCUMENTS**  
D. 344,492 2/1994 Nakamura ..... D13/147

**DESCRIPTION**  
FIG. 1 is a perspective view of an electrical connector showing my new design;  
FIG. 2 is a front elevational view thereof;  
FIG. 3 is a rear elevational view thereof;  
FIG. 4 is a left side elevational view thereof;  
FIG. 5 is a right side elevational view thereof;  
FIG. 6 is a top plan view thereof; and,  
FIG. 7 is a bottom plan view thereof.

**1 Claim, 7 Drawing Sheets**



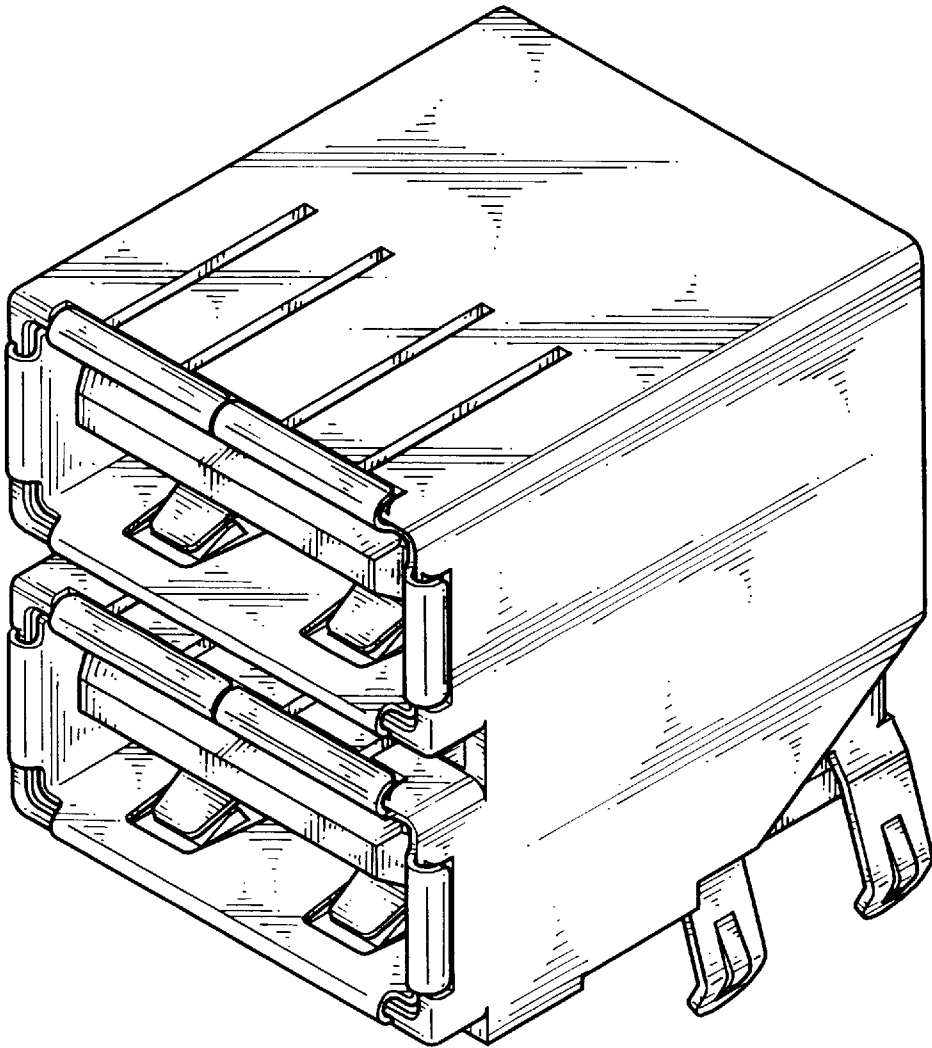


FIG. 1

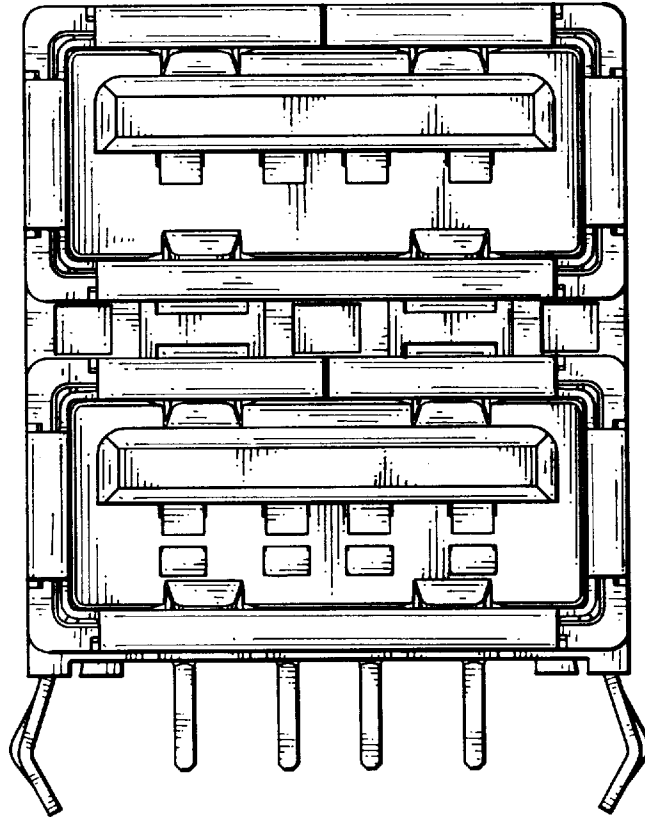


FIG. 2

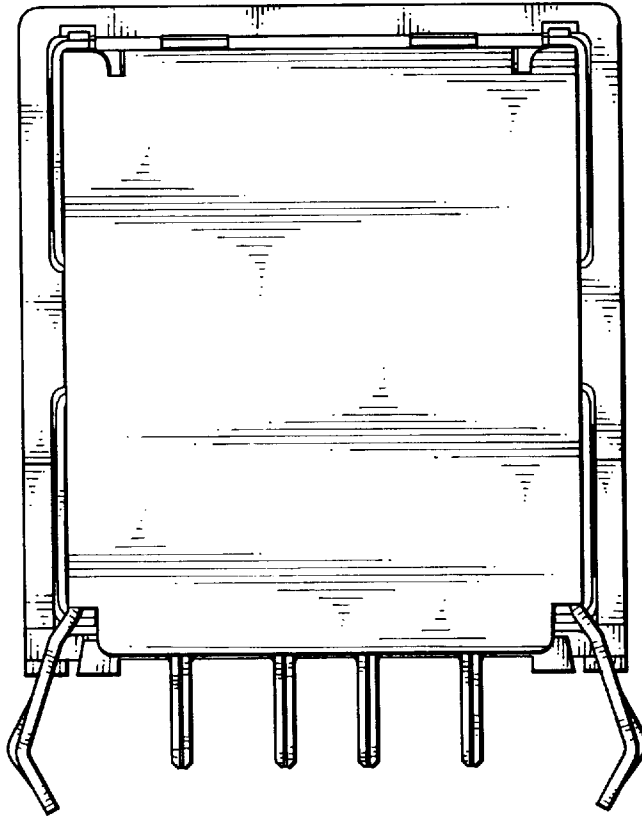


FIG. 3

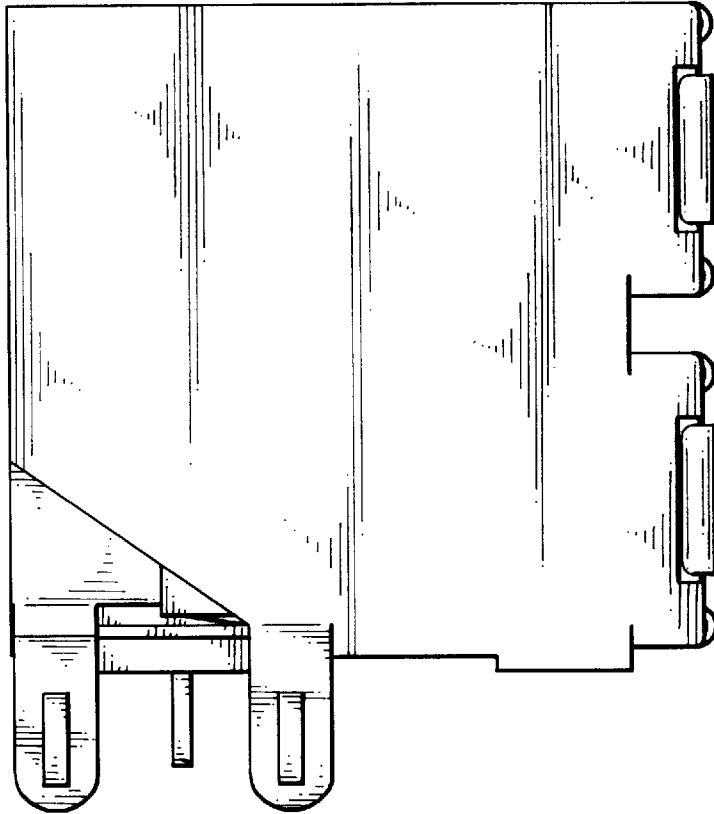


FIG. 4

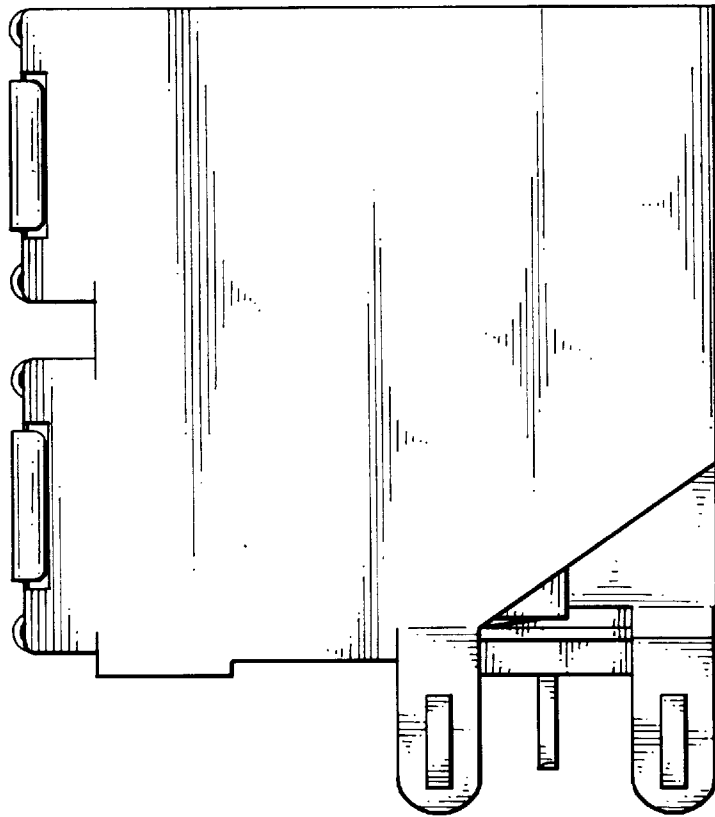


FIG. 5

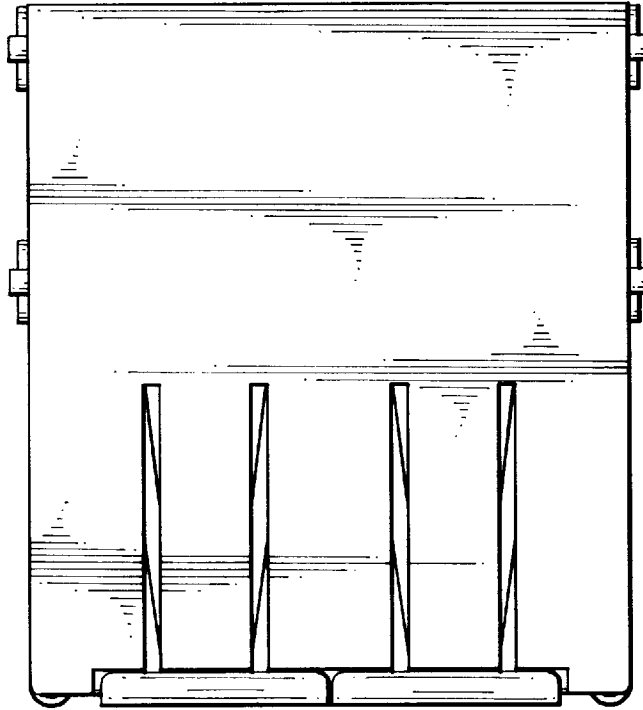


FIG. 6

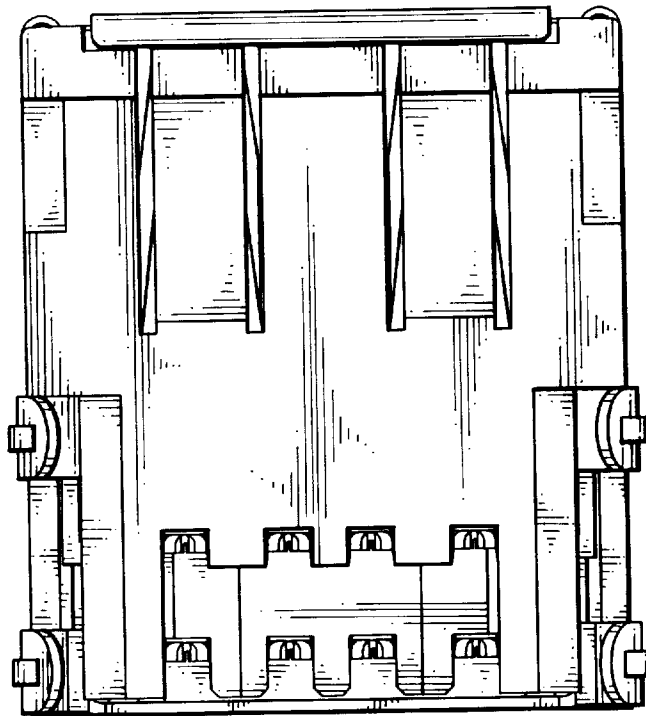


FIG. 7