

(19) World Intellectual Property Organization
International Bureau



(43) International Publication Date
7 September 2007 (07.09.2007)

PCT

(10) International Publication Number
WO 2007/100846 A3

(51) International Patent Classification:

A61B 1/05 (2006.01) A61B 5/107 (2006.01)
A61B 1/267 (2006.01) A61M 25/00 (2006.01)
A61B 1/005 (2006.01)

(21) International Application Number:

PCT/US2007/005143

(22) International Filing Date:

27 February 2007 (27.02.2007)

(25) Filing Language:

English

(26) Publication Language:

English

(30) Priority Data:

60/777,933 28 February 2006 (28.02.2006) US

(63) Related by continuation (CON) or continuation-in-part (CIP) to earlier application:

US 60/777,933 (CON)

Filed on 28 February 2006 (28.02.2006)

(71) Applicant (for all designated States except US): **EMPHASYS MEDICAL, INC.** [US/US]; 700 Chesapeake Drive, Redwood City, CA 94063 (US).

(72) Inventors; and

(75) Inventors/Applicants (for US only): **MCCUTCHEON, John, G.** [US/US]; 1790 Oak Avenue, Menlo Park, CA 94025 (US). **FIELDS, Antony, J.** [US/US]; 87 Vicksburg Street, San Francisco, CA 94114 (US). **HUNDERTMARK, Ronald, R.** [US/US]; 422 Alder Lane, San Mateo, CA 94403 (US). **HENDRICKSEN, Michael** [US/US]; 1733 Virginia Avenue, Redwood City, CA 94061 (US). **BARRETT, Michael** [US/US]; 677 Kenneth

Avenue, Campbell, CA 95008 (US). **RAPACKI, Alan, R.** [US/US]; 2725 Hastings Avenue, Redwood City, CA 94061 (US). **SCHWAB, Garrett** [US/US]; 6172 Mathieu Avenue, Oakland, CA 94618 (US).

(74) Agents: **HERNANDEZ, Fred, C.** et al.; Fish & Richardson P.C., 12390 El Camino Real, San Diego, CA 92130 (US).

(81) Designated States (unless otherwise indicated, for every kind of national protection available): AE, AG, AL, AM, AT, AU, AZ, BA, BB, BG, BR, BW, BY, BZ, CA, CH, CN, CO, CR, CU, CZ, DE, DK, DM, DZ, EC, EE, EG, ES, FI, GB, GD, GE, GH, GM, GT, HN, HR, HU, ID, IL, IN, IS, JP, KE, KG, KM, KN, KP, KR, KZ, LA, LC, LK, LR, LS, LT, LU, LV, LY, MA, MD, MG, MK, MN, MW, MX, MY, MZ, NA, NG, NI, NO, NZ, OM, PG, PH, PL, PT, RO, RS, RU, SC, SD, SE, SG, SK, SL, SM, SV, SY, TJ, TM, TN, TR, TT, TZ, UA, UG, US (patent), UZ, VC, VN, ZA, ZM, ZW.

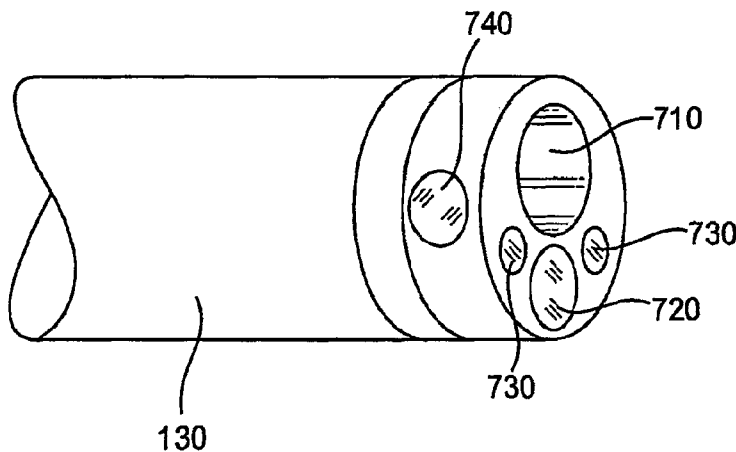
(84) Designated States (unless otherwise indicated, for every kind of regional protection available): ARIPO (BW, GH, GM, KE, LS, MW, MZ, NA, SD, SL, SZ, TZ, UG, ZM, ZW), Eurasian (AM, AZ, BY, KG, KZ, MD, RU, TJ, TM), European (AT, BE, BG, CH, CY, CZ, DE, DK, EE, ES, FI, FR, GB, GR, HU, IE, IS, IT, LT, LU, LV, MC, NL, PL, PT, RO, SE, SI, SK, TR), OAPI (BF, BJ, CF, CG, CI, CM, GA, GN, GQ, GW, ML, MR, NE, SN, TD, TG).

Declaration under Rule 4.17:

— as to the applicant's entitlement to claim the priority of the earlier application (Rule 4.17(iii))

[Continued on next page]

(54) Title: ENDOSCOPIC TOOL



(57) Abstract: Delivery system including endoscopes are described. In an embodiment, a delivery system includes a flexible, elongate endoscope extending along a longitudinal axis when the endoscope is straightened and a first lens located on the distal region. The first lens faces a direction transverse to the longitudinal axis. The first lens permits the endoscope to provide an image of anatomical structures that offset from the axis of the endoscope.

WO 2007/100846 A3



Published:

- *with international search report*
- *before the expiration of the time limit for amending the claims and to be republished in the event of receipt of amendments*

(88) Date of publication of the international search report:
6 March 2008

INTERNATIONAL SEARCH REPORT

International application No
PCT/US2007/005143

A. CLASSIFICATION OF SUBJECT MATTER

INV. A61B1/05 A61B1/267 A61B1/005 A61B5/107 A61M25/00

According to International Patent Classification (IPC) or to both national classification and IPC

B. FIELDS SEARCHED

Minimum documentation searched (classification system followed by classification symbols)
A61B

Documentation searched other than minimum documentation to the extent that such documents are included in the fields searched

Electronic data base consulted during the international search (name of data base and, where practical, search terms used)

EPO-Internal, WPI Data

C. DOCUMENTS CONSIDERED TO BE RELEVANT

Category*	Citation of document, with indication, where appropriate, of the relevant passages	Relevant to claim No.
X	US 2002/007110 A1 (IRION ING KLAUS [DE] IRION KLAUS [DE]) 17 January 2002 (2002-01-17) paragraph [0018] - paragraph [0039]; figure 4 paragraph [0021] - paragraph [0040] paragraph [0056] - paragraph [0058] paragraph [0052] - paragraph [0053]	1-6
X	US 2005/288550 A1 (MATHIS MARK [US]) 29 December 2005 (2005-12-29) paragraph [0002] - paragraph [0019]; figures 1-27	1, 3
A	paragraph [0021] - paragraph [0040]	2, 4-6
	----- -/--	

 Further documents are listed in the continuation of Box C. See patent family annex.

* Special categories of cited documents :

- *A* document defining the general state of the art which is not considered to be of particular relevance
- *E* earlier document but published on or after the international filing date
- *L* document which may throw doubts on priority claim(s) or which is cited to establish the publication date of another citation or other special reason (as specified)
- *O* document referring to an oral disclosure, use, exhibition or other means
- *P* document published prior to the international filing date but later than the priority date claimed

- *T* later document published after the international filing date or priority date and not in conflict with the application but cited to understand the principle or theory underlying the invention
- *X* document of particular relevance; the claimed invention cannot be considered novel or cannot be considered to involve an inventive step when the document is taken alone
- *Y* document of particular relevance; the claimed invention cannot be considered to involve an inventive step when the document is combined with one or more other such documents, such combination being obvious to a person skilled in the art.
- * & * document member of the same patent family

Date of the actual completion of the international search

31 October 2007

Date of mailing of the international search report

10/01/2008

Name and mailing address of the ISA/

European Patent Office, P.B. 5818 Patentlaan 2
NL - 2280 HV Rijswijk
Tel. (+31-70) 340-2040, Tx. 31 651 epo nl,
Fax: (+31-70) 340-3016

Authorized officer

Neef, Tatjana

INTERNATIONAL SEARCH REPORT

International application No

PCT/US2007/005143

C(Continuation). DOCUMENTS CONSIDERED TO BE RELEVANT		
Category*	Citation of document, with indication, where appropriate, of the relevant passages	Relevant to claim No.
X	GB 1 231 015 A (OLYMPUS OPTICAL CO) 5 May 1971 (1971-05-05)	1,3
A	page 1, line 9 - page 2, line 82; figures 1-12 page 5, line 5 - line 129	2,4-6
X	WO 94/28783 A (AMERICAN SURGICAL TECH [US]) 22 December 1994 (1994-12-22)	1,4-6
A	page 8, line 28 - page 11, line 22; figures 1-5 page 13, line 1 - page 17, line 18 page 24, line 1 - page 25, line 13 page 31, line 19 - page 32, line 11	2,3
X	JP 11 137512 A (TOKYO SHIBAURA ELECTRIC CO) 25 May 1999 (1999-05-25)	1-3
A	abstract; figures 1a,1b	4-6
A	US 2005/020879 A1 (SUZUKI TATSUHIKO [JP]) 27 January 2005 (2005-01-27) paragraph [0002] - paragraph [0009]; figures 1-14 paragraph [0027] - paragraph [0037] paragraph [0045] - paragraph [0047] paragraph [0063] - paragraph [0068] paragraph [0141] - paragraph [0185]	1,3-6
A	US 6 224 542 B1 (CHANG WILLIAM H L [US] ET AL) 1 May 2001 (2001-05-01) column 2, line 8 - column 3, line 38; figures 1-5 column 4, line 25 - column 6, line 19	1,3-6
A	WO 99/16341 A (STORZ KARL GMBH & CO [DE]; KEHR ULRICH [DE]; RUDISCHHAUSER JUERGEN [DE]) 8 April 1999 (1999-04-08) abstract; figures 1-12	1,3
X	WO 01/02042 A (PULMONX [US]) 11 January 2001 (2001-01-11)	1,3
A	page 13, line 16 - page 14, line 21; figures 1-16 page 16, line 24 - page 17, line 8 page 15, line 15 - line 30	2,4-6

INTERNATIONAL SEARCH REPORT

International application No.
PCT/US2007/005143

Box No. II Observations where certain claims were found unsearchable (Continuation of item 2 of first sheet)

This international search report has not been established in respect of certain claims under Article 17(2)(a) for the following reasons:

1. Claims Nos.:
because they relate to subject matter not required to be searched by this Authority, namely:

2. Claims Nos.:
because they relate to parts of the international application that do not comply with the prescribed requirements to such an extent that no meaningful international search can be carried out, specifically:

3. Claims Nos.:
because they are dependent claims and are not drafted in accordance with the second and third sentences of Rule 6.4(a).

Box No. III Observations where unity of invention is lacking (Continuation of item 3 of first sheet)

This International Searching Authority found multiple inventions in this international application, as follows:

see additional sheet

1. As all required additional search fees were timely paid by the applicant, this international search report covers allsearchable claims.

2. As all searchable claims could be searched without effort justifying an additional fees, this Authority did not invite payment of additional fees.

3. As only some of the required additional search fees were timely paid by the applicant, this international search report covers only those claims for which fees were paid, specifically claims Nos.:

4. No required additional search fees were timely paid by the applicant. Consequently, this international search report is restricted to the invention first mentioned in the claims; it is covered by claims Nos.:

1-6

Remark on Protest

- The additional search fees were accompanied by the applicant's protest and, where applicable, the payment of a protest fee.
- The additional search fees were accompanied by the applicant's protest but the applicable protest fee was not paid within the time limit specified in the invitation.
- No protest accompanied the payment of additional search fees.

This International Searching Authority found multiple (groups of) inventions in this international application, as follows:

1. claims: 1-6

Delivery system for insertion into lung with flexible endoscope having first lens in distal region with transverse direction to longitudinal endoscope axis and second lens in distal region facing firection parallel to longitudinal axis

2. claims: 7-9

delivery system for insertion into lung with flexible endoscope and depth sensor, indicating the distance between the distal tip of the endoscope and the entrance location.

3. claims: 10-13

Delivery system for insertion into lung with flexible endoscope having a first lens in normal direction to the longitudinal axis and a luman size measurement device at the distal region

4. claims: 14-16

Delivery system for insertion into lung with elongated body for insertion into lung through patients mouth and with a balloon attached to the distal region, which is adapted to be inflated in an asymmetrical manner such as to expand in only one direction relative to the longitudinal axis of the elongated body

5. claims: 17-21

Delivery system for insertion into lung with flexible endoscope and orientation indicator coupled to the endoscope to provide indication as to the direction to an anatomical structure of a patient in which the endoscope is inserted

INTERNATIONAL SEARCH REPORT

Information on patent family members

International application No

PCT/US2007/005143

Patent document cited in search report		Publication date	Patent family member(s)	Publication date
US 2002007110	A1	17-01-2002	NONE	
US 2005288550	A1	29-12-2005	NONE	
GB 1231015	A	05-05-1971	DE 1766809 B1 US 3610231 A	31-05-1972 05-10-1971
WO 9428783	A	22-12-1994	EP 0703747 A1 JP 9501332 T	03-04-1996 10-02-1997
JP 11137512	A	25-05-1999	NONE	
US 2005020879	A1	27-01-2005	CN 1658787 A EP 1512365 A1 WO 03101285 A1 JP 2004000335 A	24-08-2005 09-03-2005 11-12-2003 08-01-2004
US 6224542	B1	01-05-2001	NONE	
WO 9916341	A	08-04-1999	DE 19743431 A1 EP 1018926 A1 US 6503196 B1	29-04-1999 19-07-2000 07-01-2003
WO 0102042	A	11-01-2001	AU 781579 B2 AU 5910900 A CA 2375752 A1 EP 1198269 A1 JP 2003503162 T US 6287290 B1 US 6878141 B1 US 2001056274 A1	02-06-2005 22-01-2001 11-01-2001 24-04-2002 28-01-2003 11-09-2001 12-04-2005 27-12-2001