



US00D859543S

(12) **United States Design Patent**
Lisi et al.

(10) **Patent No.:** **US D859,543 S**

(45) **Date of Patent:** **** Sep. 10, 2019**

- (54) **TREADMILL**
- (71) Applicant: **TECHNOGYM S.p.A.**, Cesena (IT)
- (72) Inventors: **Ivan Lisi**, Cesena (IT); **Nerio Alessandri**, Cesena (IT)
- (73) Assignee: **TECHNOGYM S.p.A.**, Cesena (IT)
- (**) Term: **15 Years**
- (21) Appl. No.: **29/616,643**
- (22) Filed: **Sep. 7, 2017**
- (30) **Foreign Application Priority Data**

D374,260 S * 10/1996 Snyderman D21/669
 6,042,514 A * 3/2000 Abelbeck A63B 22/02
 198/439
 D464,690 S * 10/2002 San-Ching D21/669
 6,824,502 B1 * 11/2004 Huang A63B 22/023
 482/54
 8,308,619 B1 * 11/2012 Astilean A63B 21/156
 482/54
 8,920,347 B2 * 12/2014 Bayerlein A63B 22/0235
 601/35
 D751,156 S * 3/2016 Tasca D21/669
 D827,058 S * 8/2018 Lisi D21/669
 D831,131 S * 10/2018 Zha D21/669
 2009/0170666 A1 * 7/2009 Chiang A63B 22/02
 482/54
 2016/0096064 A1 * 4/2016 Gatti A63B 22/02
 482/54

(Continued)

Mar. 8, 2017 (EM) 003789403

- (51) **LOC (12) Cl.** **21-02**
- (52) **U.S. Cl.**
USPC **D21/669**
- (58) **Field of Classification Search**
USPC 482/54, 2, 51, 8, 70, 146; D21/669;
198/439, 456; D30/160; 601/35, 23, 5,
601/34
CPC . A63B 22/02; A63B 22/0023; A63B 22/0235;
A63B 2210/50; A63B 22/0285; A63B
22/0242; A63B 2022/025; A63B 2225/30;
A63B 2022/0214; A63B 2220/13; A63B
2022/0228; A63B 2210/56; A63B
2024/0093; A63B 2022/0207; A63B
22/0012; A63B 22/0257; A61H 3/008;
A61H 1/0262; A61H 2201/164; A01K
15/027

See application file for complete search history.

(56) **References Cited**

U.S. PATENT DOCUMENTS

1,211,765 A * 1/1917 Schmidt A63B 22/02
 482/54
 D333,887 S * 3/1993 Dowler D30/160

FOREIGN PATENT DOCUMENTS

WO WO-2010107632 A1 * 9/2010 A63B 21/0053
 WO WO-2010107840 A1 * 9/2010 A63B 21/0053

Primary Examiner — Ryan Harvey
 (74) *Attorney, Agent, or Firm* — Thomas|Horstemeyer,
 LLP

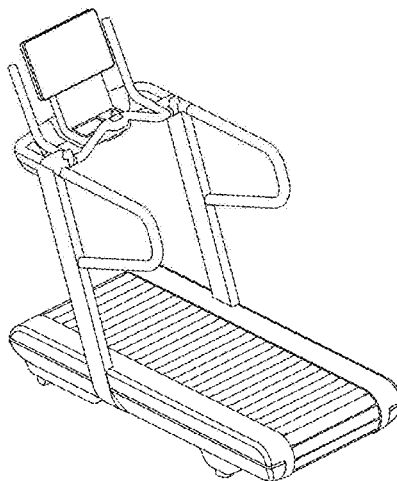
(57) **CLAIM**

The ornamental design for a treadmill, as shown and described.

DESCRIPTION

FIG. 1 is a perspective view of a treadmill showing our new design;
 FIG. 2 is a front view thereof;
 FIG. 3 is a rear view thereof, opposite that of FIG. 2;
 FIG. 4 is a side view thereof;
 FIG. 5 is a side view thereof, from a side opposite that of FIG. 4;
 FIG. 6 is a top view thereof; and,
 FIG. 7 is a bottom view thereof, opposite that of FIG. 6.

1 Claim, 7 Drawing Sheets



(56)

References Cited

U.S. PATENT DOCUMENTS

2018/0140903 A1* 5/2018 Poure A63B 24/0075
2018/0264315 A1* 9/2018 Chen A63B 22/0285

* cited by examiner

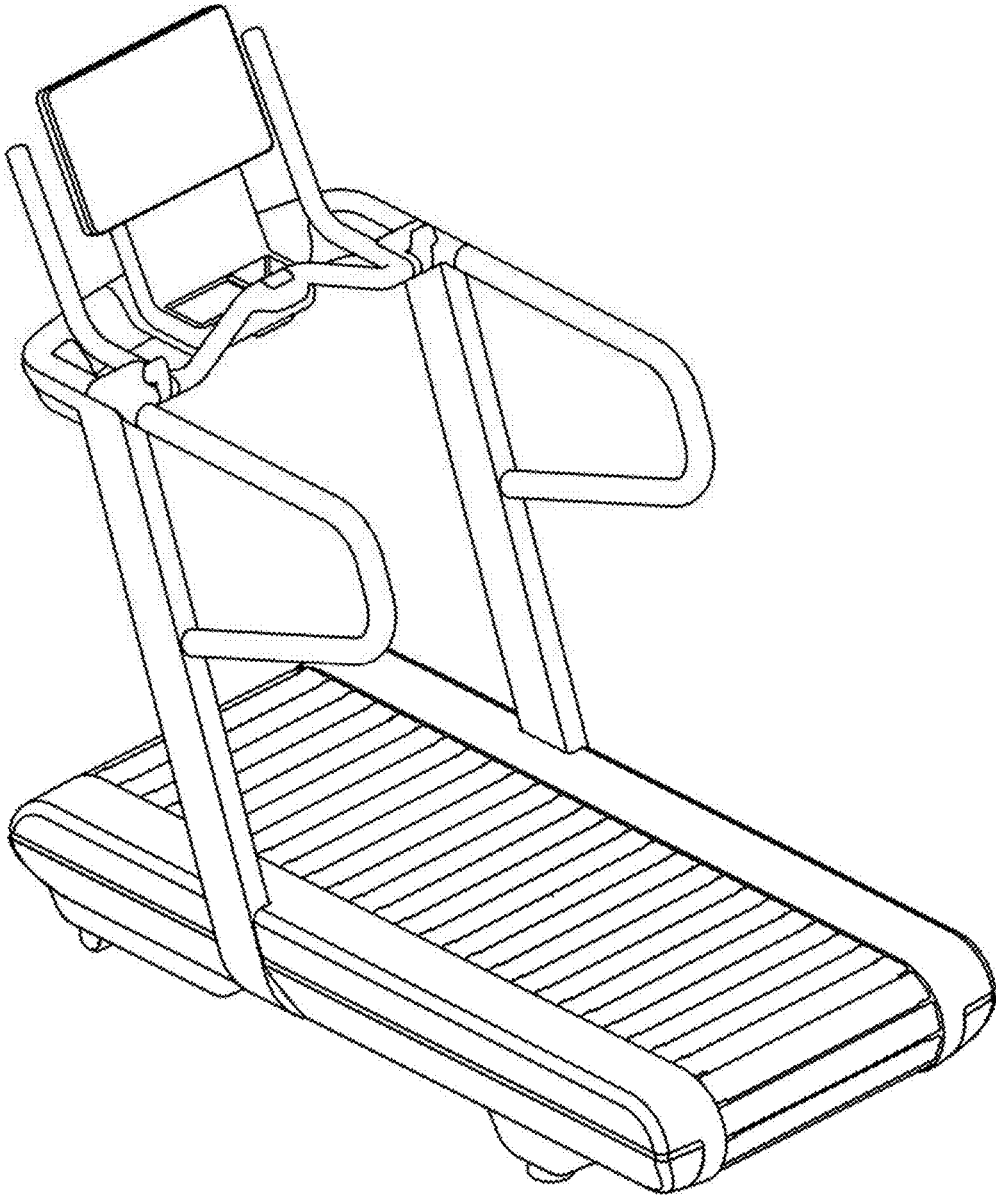


FIG. 1

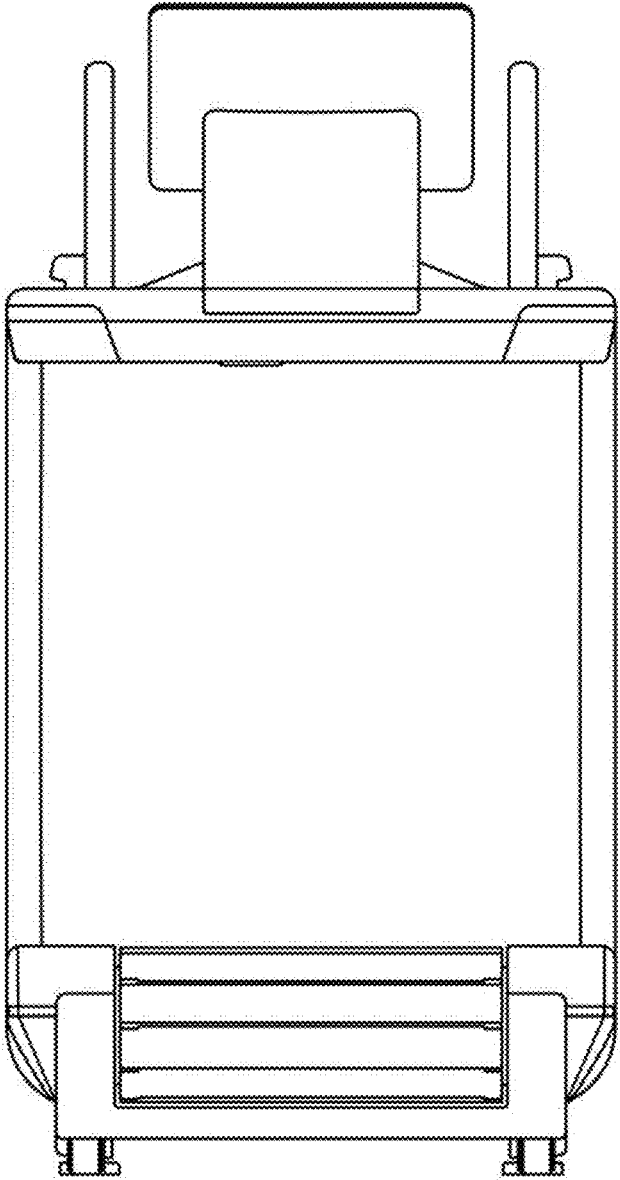


FIG. 2

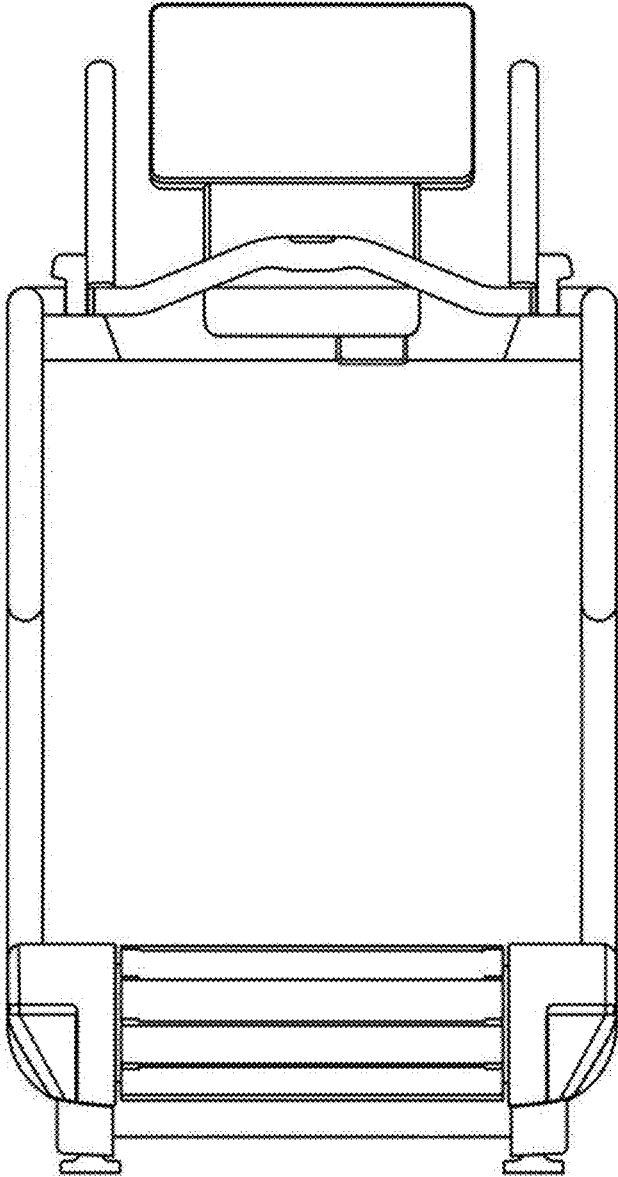


FIG. 3

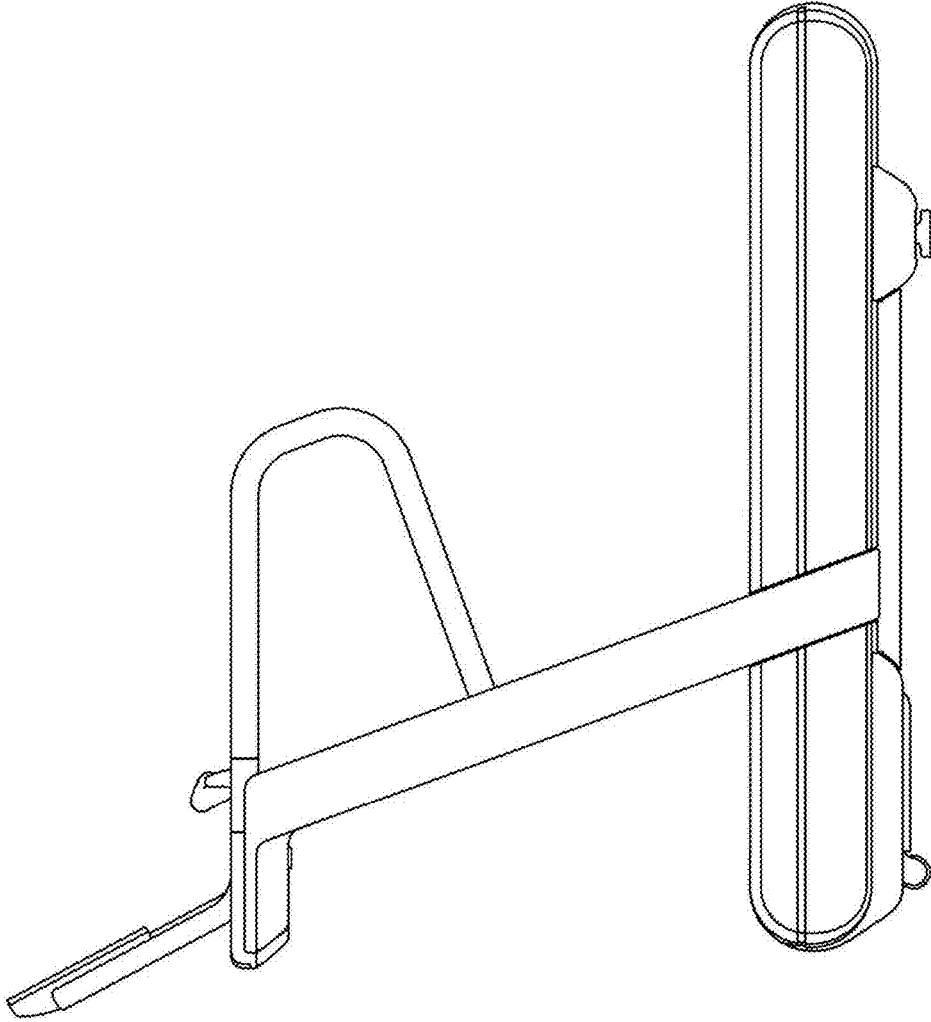


FIG. 4

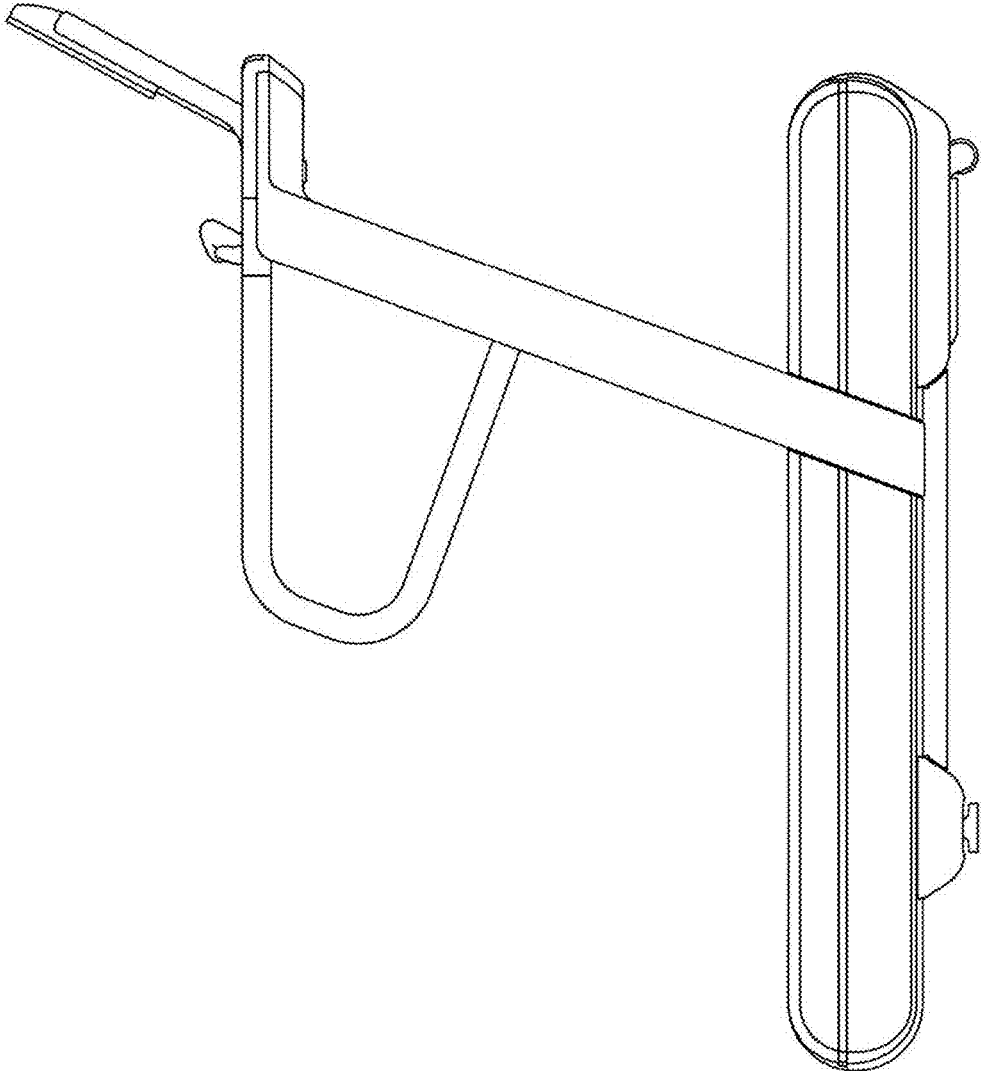


FIG. 5

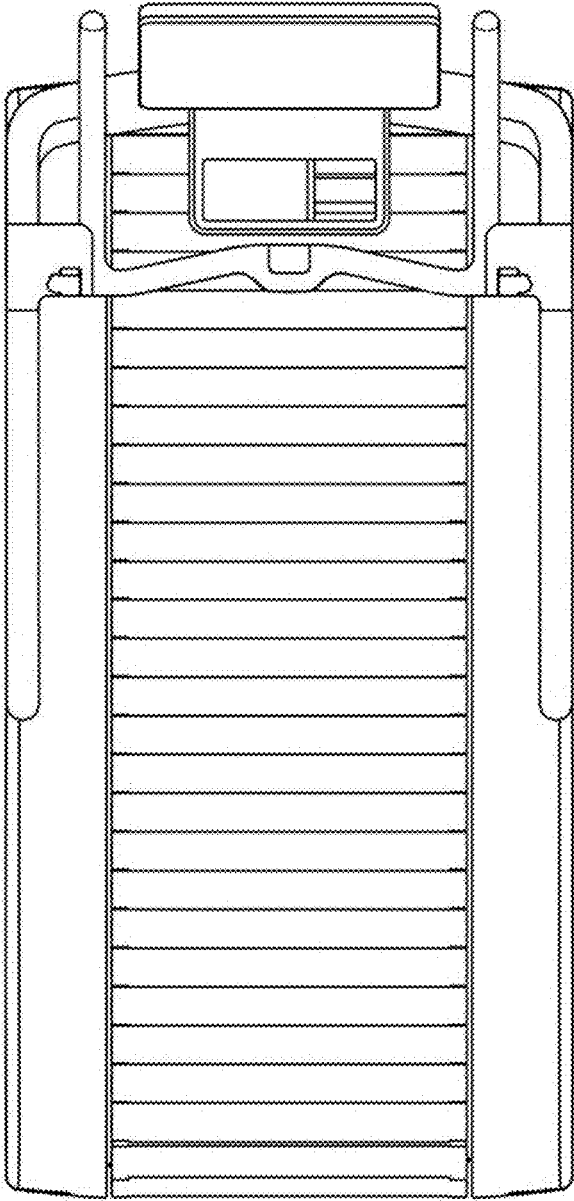


FIG. 6

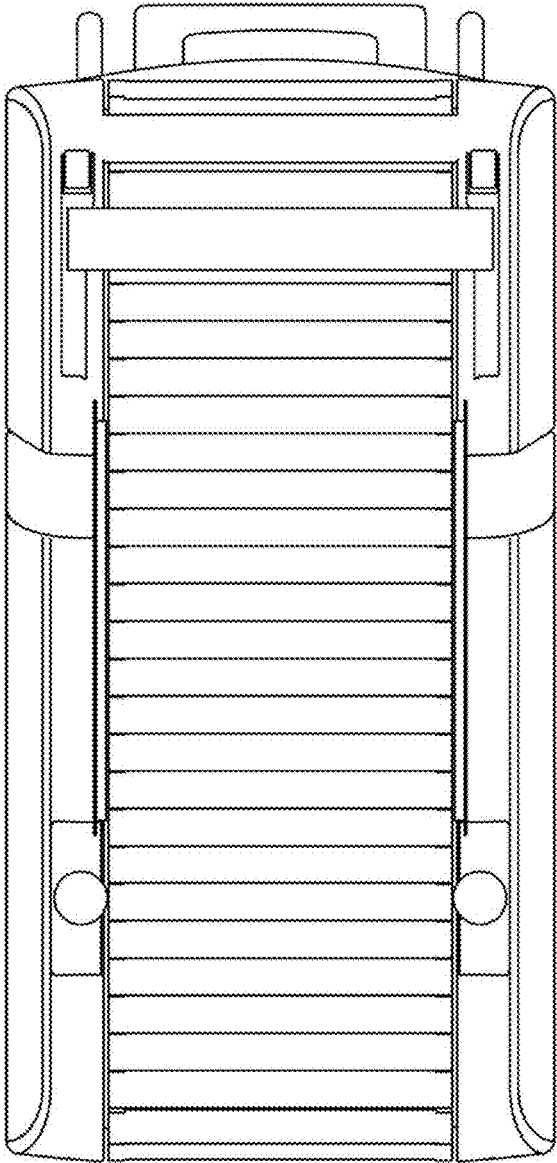


FIG. 7