

[54] **MACARONI**

[76] **Inventor:** Rino Gnesi, 38 Case Dr., Revere, Mass. 02151

[**] **Term:** 14 Years

[21] **Appl. No.:** 651,632

[22] **Filed:** Jan. 23, 1976

[51] **Int. Cl.** D1-01

[52] **U.S. Cl.** D1/15

[58] **Field of Search** 426/87, 146, 158; D1/1-99

[56] **References Cited**

U.S. PATENT DOCUMENTS

- D. 24,247 4/1895 Wanklin D1/15
- D. 25,243 3/1896 Casselberry D1/15

- D. 184,808 4/1959 Fischett D1/16 X
- D. 189,660 1/1961 Vermylen D1/15
- D. 191,864 12/1961 Lancellotti D1/13

Primary Examiner—Robert C. Spangler
Attorney, Agent, or Firm—William Nitkin

[57] **CLAIM**

The ornamental design for a macaroni, as shown.

DESCRIPTION

FIG. 1 is a top plan view of a macaroni showing my new design.

FIG. 2 is a side elevational view.

FIG. 3 is a front elevational view.

FIG. 4 is an elevational view showing the side opposite that seen in FIG. 2.

FIG. 5 is a bottom plan view.

FIG. 6 is a rear elevational view; and

FIG. 7 is a front perspective view thereof.

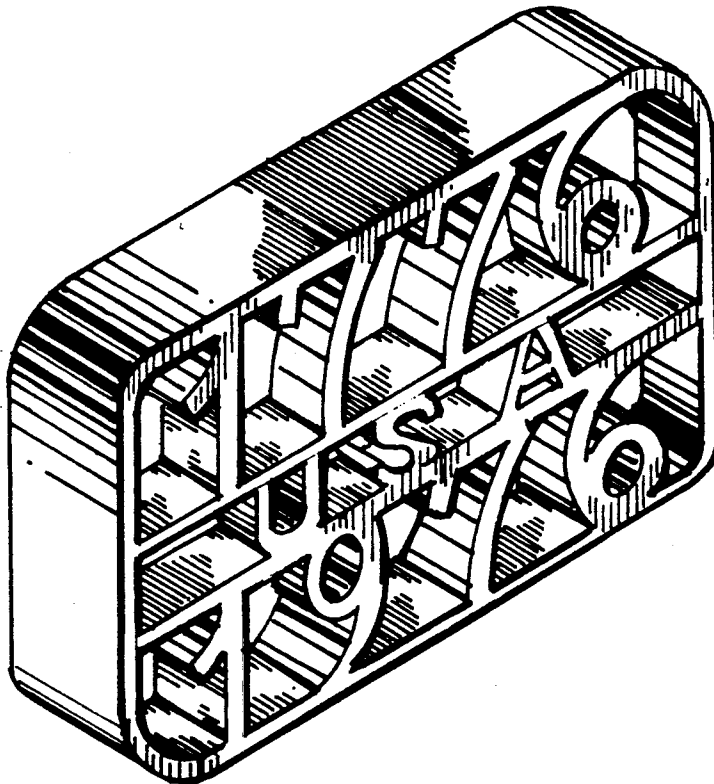




FIG. 1



FIG. 2

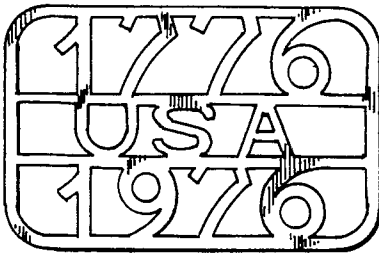


FIG. 3



FIG. 4



FIG. 5

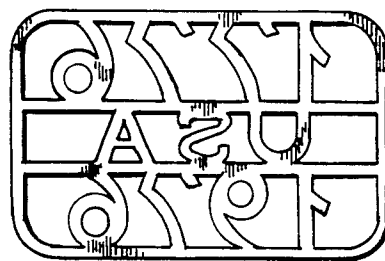


FIG. 6

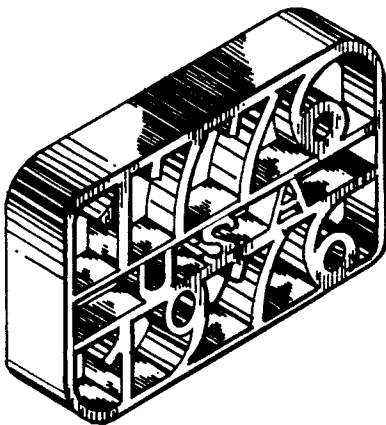


FIG. 7