



US00D948449S

(12) **United States Design Patent**
Hasani

(10) **Patent No.:** **US D948,449 S**

(45) **Date of Patent:** **** Apr. 12, 2022**

(54) **CHARGING STATION**

D222,567 S 11/1971 Cohen
D228,213 S 8/1973 Johnston
D228,984 S 11/1973 Miller
(Continued)

(71) Applicant: **Parabit Systems, Inc.**, Roosevelt, NY
(US)

(72) Inventor: **Mohammad Hasani**, Brooklyn, NY
(US)

FOREIGN PATENT DOCUMENTS

EP 2194617 B1 1/2019
JP 2020096528 A 6/2020
WO 2009059921 A1 5/2009

(73) Assignee: **Parabit Systems, Inc.**, Roosevelt, NY
(US)

(**) Term: **15 Years**

OTHER PUBLICATIONS

(21) Appl. No.: **29/752,801**

“Atomi Rotating Surge Mini”. Found online Nov. 17, 2021 at amazon.com. Reference dated Aug. 5, 2018. Retrieved from https://www.amazon.com/Atomi-Rotating-Surge-Power-Outlets/dp/B07G6YS6SR/ref=asc_df_B07G6YS6SR/?th=1. (Year: 2018).*

(22) Filed: **Sep. 29, 2020**

(Continued)

Related U.S. Application Data

(63) Continuation of application No. 29/659,999, filed on Aug. 14, 2018, now Pat. No. Des. 901,388.

Primary Examiner — Kendra Leslie Hamilton

Assistant Examiner — Amanda Christensen

(51) **LOC (13) Cl.** **13-03**

(74) *Attorney, Agent, or Firm* — Gerald Hespos; Michael Porco; Matthew Hespos

(52) **U.S. Cl.**

USPC **D13/139.1**; D13/137.1

(58) **Field of Classification Search**

USPC D13/133, 137.1, 137.2, 137.3, 137.4,
D13/138.1, 138.2, 139.1, 139.2, 139.7,
D13/139.8, 146, 147, 154, 155, 199

CPC H01R 12/592; H01R 13/62; H01R 24/00;
H01R 25/00

See application file for complete search history.

(57)

CLAIM

The ornamental design for a charging station, as shown and described.

DESCRIPTION

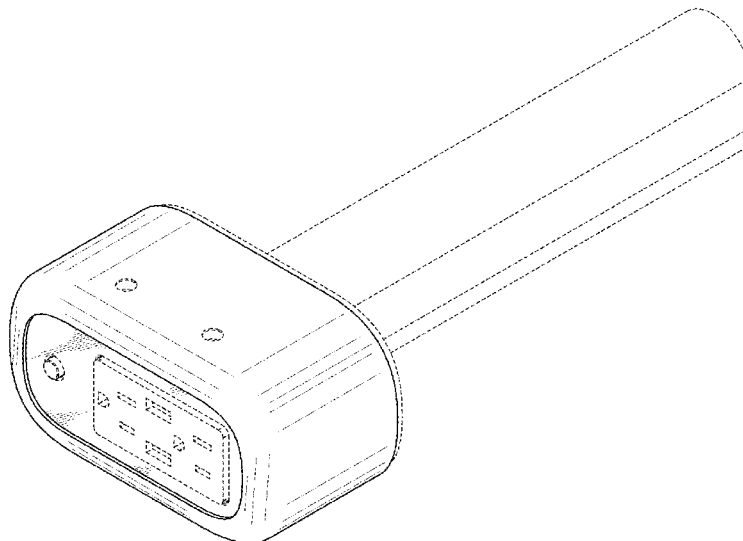
FIG. 1 is a top, front, right side perspective view of a charging station, showing my new design; FIG. 2 is a front elevational view thereof; FIG. 3 is a rear elevational view thereof; FIG. 4 is a right side elevational view thereof; FIG. 5 is a left side elevational view thereof; FIG. 6 is a top plan view thereof; FIG. 7 is a bottom plan view thereof; and, FIG. 8 is a rear perspective view thereof. The broken lines depict portions of the charging station that form no part of the claimed design.

(56) **References Cited**

U.S. PATENT DOCUMENTS

D126,590 S 4/1941 Lewin
D195,567 S 7/1963 Gleitsman
D195,571 S 7/1963 Gleitsman
D195,955 S * 8/1963 Carlson D13/137.1
3,433,183 A 3/1969 Yarme et al.
3,488,622 A * 1/1970 Gley H01R 13/629
439/157
3,488,922 A 1/1970 Gley

1 Claim, 8 Drawing Sheets



(56)

References Cited

U.S. PATENT DOCUMENTS

4,978,318 A * 12/1990 Wiley H01R 25/006
174/54
D338,664 S 8/1993 Goff
5,281,155 A * 1/1994 Comerci H01R 13/6666
361/212
D359,722 S 6/1995 Owens
D365,237 S 12/1995 Stirling et al.
D371,919 S 7/1996 Konecny
D396,123 S 7/1998 Swanson
5,797,192 A 8/1998 Curtis
D446,499 S 8/2001 Andre et al.
D480,581 S 10/2003 Searer
D487,730 S 3/2004 Muller
D544,248 S 6/2007 Parisot
D573,950 S * 7/2008 Schwartz D13/139.1
D621,346 S 8/2010 Navid
D626,069 S * 10/2010 Byrne D13/139.4
D637,836 S 5/2011 Cortivo et al.
D646,508 S 10/2011 Parizek et al.
D671,068 S 11/2012 Gieniec
D689,478 S 9/2013 Wikel et al.
D705,170 S * 5/2014 Diehl D13/137.1
D708,574 S 7/2014 Gieniec et al.
D709,828 S 7/2014 Fiaschetti
D714,726 S * 10/2014 Byrne D13/137.1
D721,650 S 1/2015 Fauchet et al.
D729,161 S 5/2015 Lykov et al.
D742,830 S 11/2015 Croft et al.
D748,087 S 1/2016 Lee et al.
D762,177 S 7/2016 Sumwait et al.
D766,823 S 9/2016 Wahl
D781,086 S 3/2017 Velez et al.
D788,035 S 5/2017 Bang et al.
D794,358 S 8/2017 Yamamoto
D794,558 S 8/2017 Zhou
10,038,332 B1 7/2018 Leabman et al.
D842,241 S 3/2019 Hasani
D858,435 S 9/2019 Helnerus et al.
D867,997 S 11/2019 Knapp et al.
D873,768 S 1/2020 Minky
D880,425 S 4/2020 Chen
D901,388 S * 11/2020 Hasani D13/137.1
D903,380 S 12/2020 Stevens
D911,968 S * 3/2021 Li D13/137.2
D924,805 S * 7/2021 Luo D13/137.2
D930,591 S * 9/2021 Rupert D13/137.1
2009/0224423 A1 9/2009 Vigorito et al.
2010/0013434 A1 1/2010 Taylor-Haw et al.
2011/0018498 A1 1/2011 Soar

2011/0084651 A1 4/2011 Caskey et al.
2016/0079721 A1 * 3/2016 Jones H02G 9/025
439/587
2018/0175655 A1 6/2018 Liu
2019/0125074 A1 5/2019 Cheng
2020/0052506 A1 2/2020 Green
2020/0221227 A1 7/2020 Nelson et al.
2020/0221876 A1 7/2020 Morales et al.

OTHER PUBLICATIONS

“PWR-Plug Power Grommet”. Found online Nov. 17, 2021 at amazon.com. Reference dated Jul. 6, 2018. Retrieved from <https://www.amazon.com/PWR-Plug-Grommet-Furniture-Standard-Charging/dp/B084LQBKRN>. (Year: 2018).*

“Brandstand CubieMini Outlets”. Found online Nov. 17, 2021 at amazon.com. Reference dated Dec. 31, 2015. Retrieved from <https://www.amazon.com/Brandstand-Cubiemini-Charging-Station-Protection/dp/B01A1FMFGU?th=1>. (Year: 2015).*

“Airport Power Outlets”. Found online OS/20/2021 at tripsavvy.com. Reference dated Jun. 26, 2019. Retrieved from <https://www.tripsavvy.com/guide-to-airport-power-outlets-4106619>. (Year: 2019).

“Charging Stations”. Found online OS/20/2021 at phl.org. Reference dated Nov. 2, 2015. Retrieved from https://tineye.com/search/e2a3488a7781836bb6c07dfd665174eb0812852e?sort-crawl_date&order=asc&page=1. (Year: 2015).

“Parabit Airport charging station”. Found online OS/20/2021 at aeroexpo.online. Reference dated OS/20/2021. Retrieved from <https://www.aeroexpo.online/prod/parabit-systems/product-177577-63554.html>. (Year: 2021).

“Power Up: A guide to US airport charging stations”, by Lauren Mack. Retrieved from the internet on www.cheapflights.com, 4/1012021, date published: Oct. 27, 2015. (Year:2015).

“Alaska Airlines International Power Outlet”. Found online 04121/2020 at commons.wikipedia.org. Reference dated Sep. 11, 2014. Retrieved from https://commons.wikimedia.org/wiki/File:Alaska_Airlines_International_PowerOutlets.jpg. (Year: 2014).

“Forbes USB Charging Station”. Found online Apr. 22, 2020 at Forbes.com. Reference dated May 21, 2019. Retrieved from <https://www.forbes.com/sites/suzannerowankelleher/2019/05/21/why-you-should-never-use-airport-usb-charging-stations/#ge3d0745955b>. (Year: 2019).

“In Power Flex Charging Stations”. Found online Apr. 21, 2020 at clickorlando.com. Reference dated Nov. 15, 2019. Retrieved from <https://www.clickorlando.com/news/2019/11/15/officials-warn-against-using-public-usb-charging-stations/>. (Year: 2019).

Mobile Device Charging Stations: Power to the People Brochure; Parabit Systems, Inc.; 8 pages, Jun. 27, 2017.

* cited by examiner

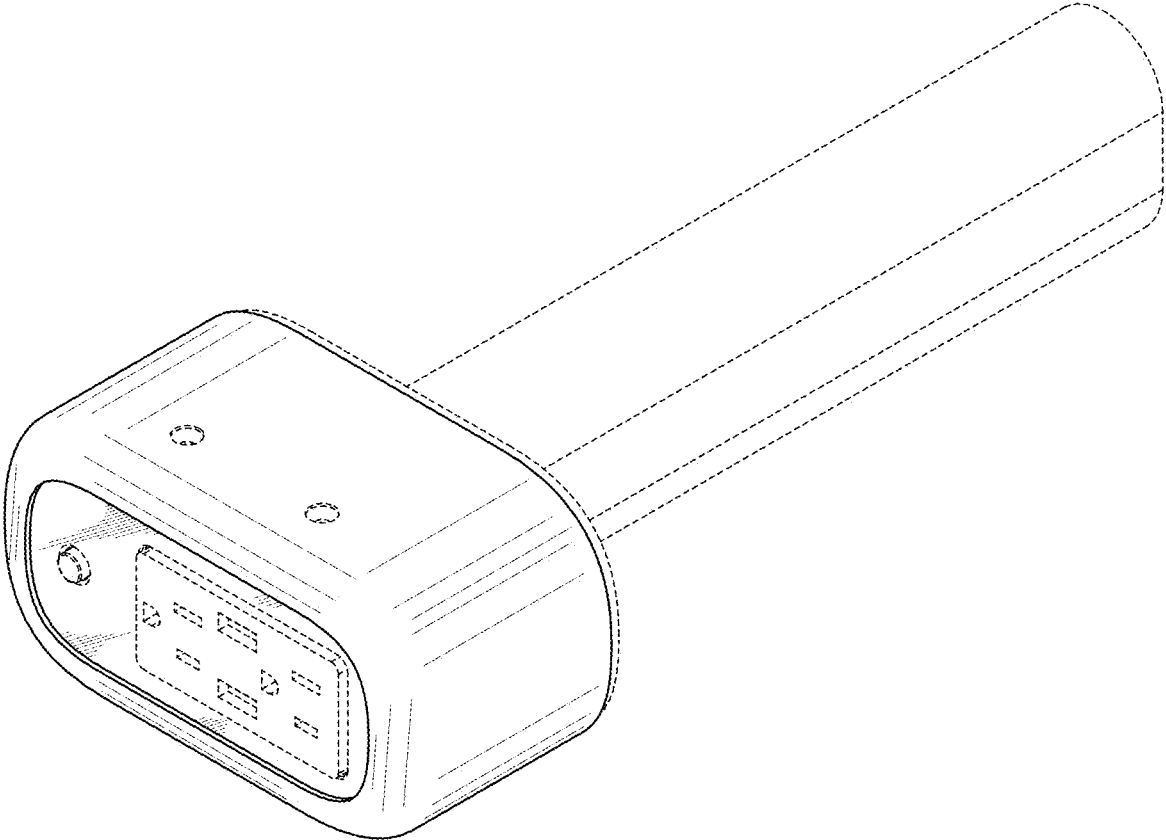


FIG. 1

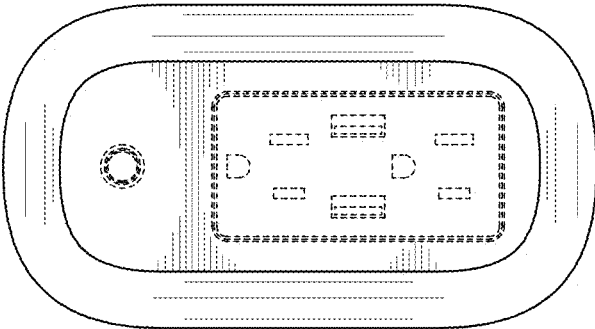


FIG. 2

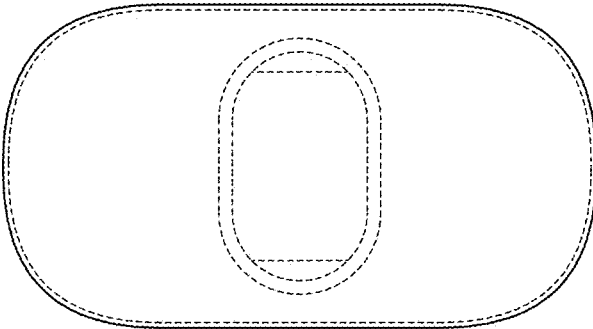


FIG. 3

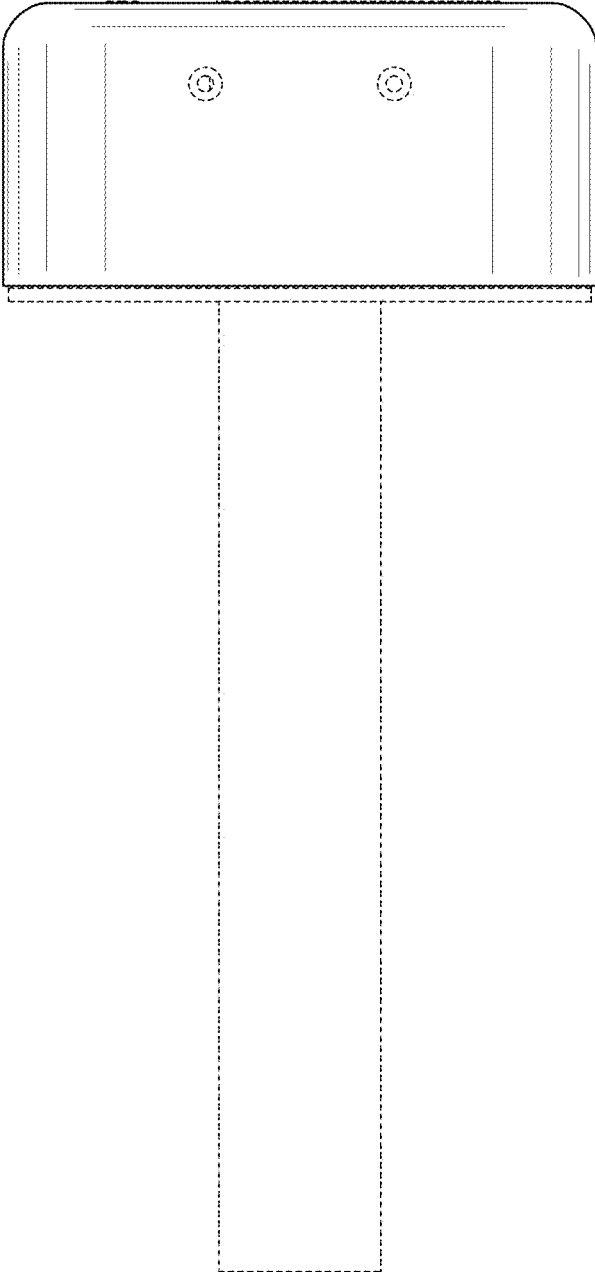


FIG. 4

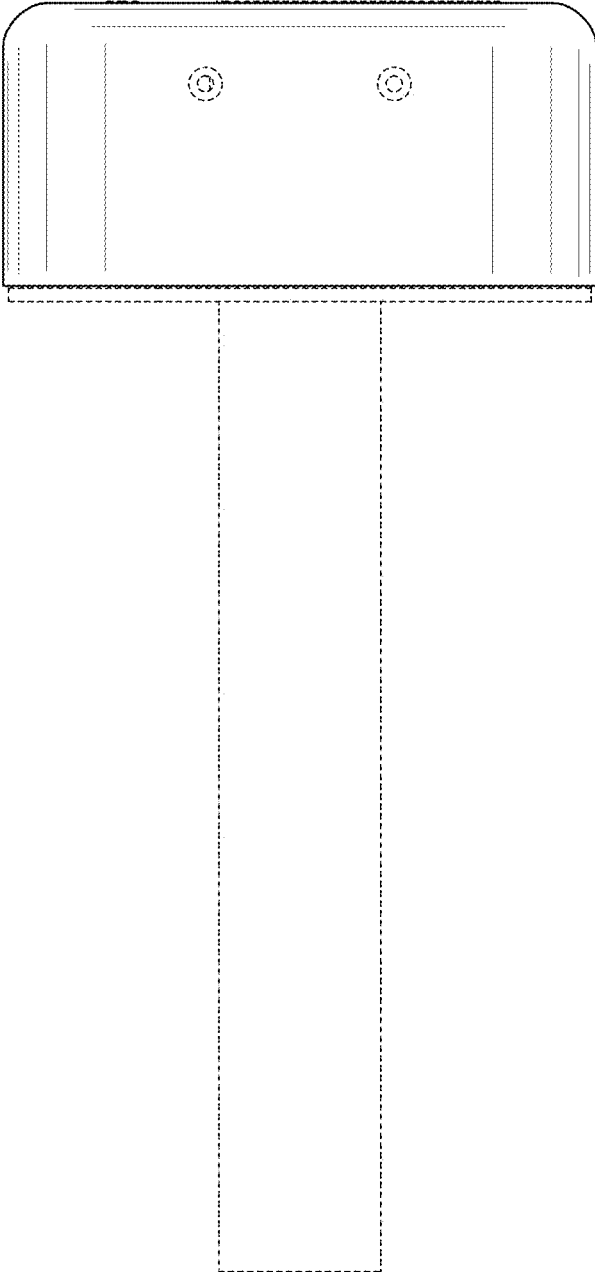


FIG. 5

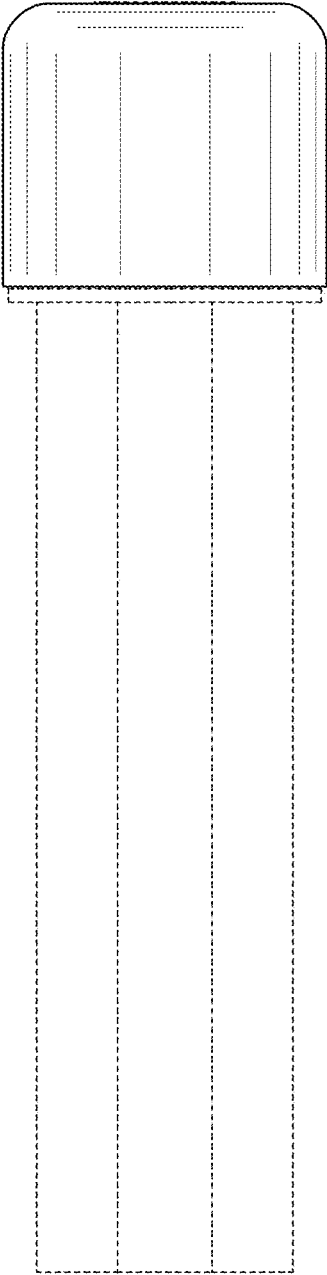


FIG. 6

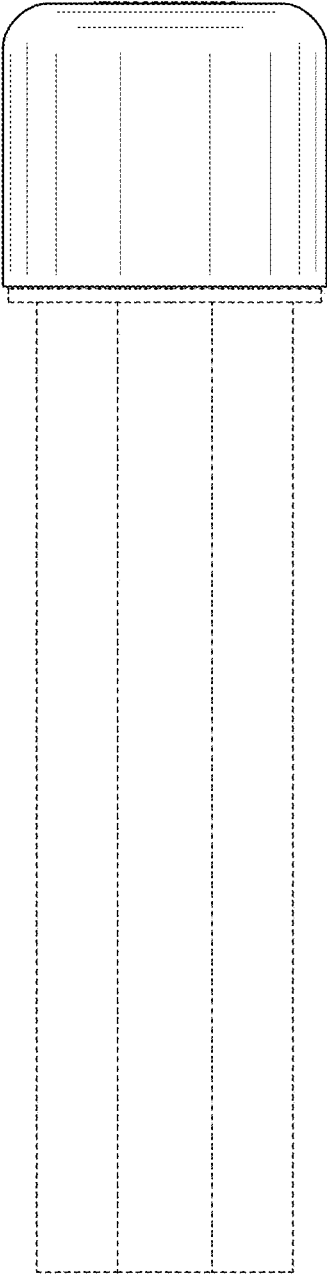


FIG. 7

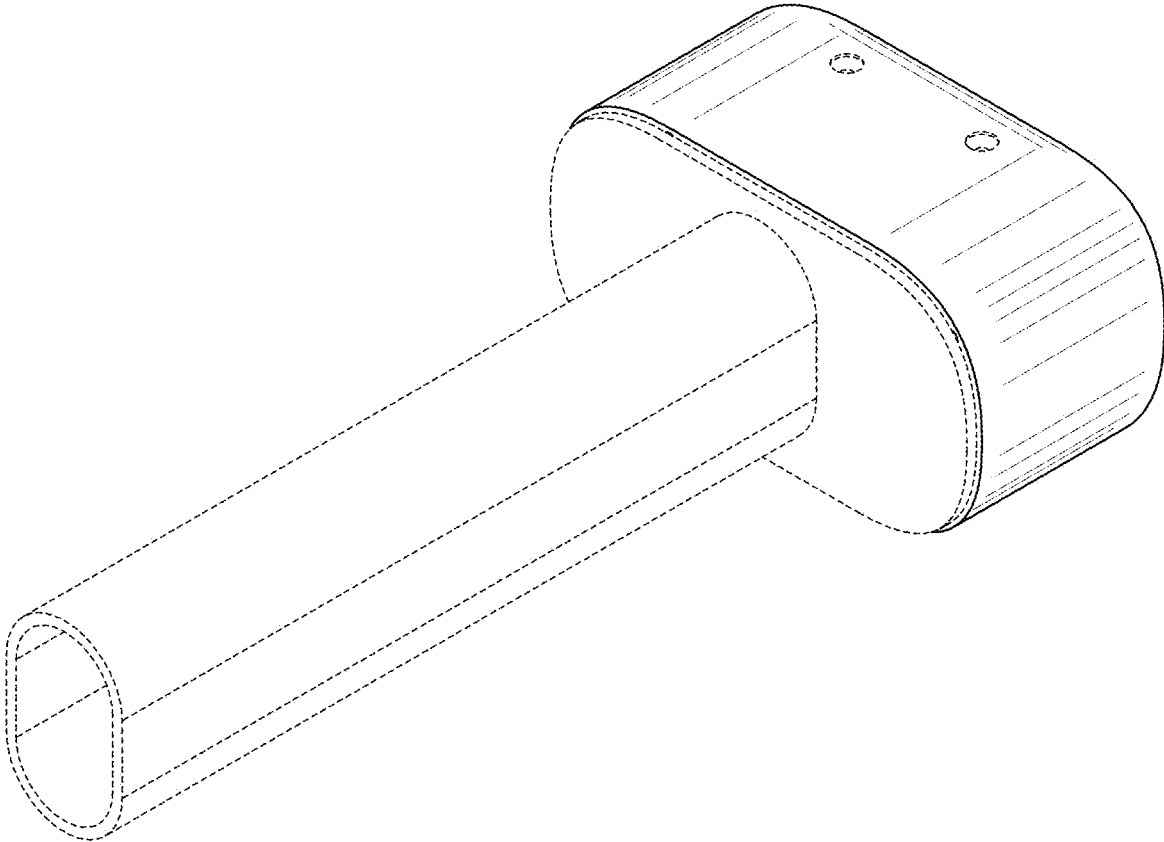


FIG. 8