



US00D846282S

(12) **United States Design Patent**
Brouard

(10) **Patent No.:** **US D846,282 S**

(45) **Date of Patent:** **** Apr. 23, 2019**

- (54) **TOOL CARRIER**
- (71) Applicant: **Veto Pro Pac, LLC**, Norwalk, CT (US)
- (72) Inventor: **Roger Brouard**, Norwalk, CT (US)
- (73) Assignee: **Veto Pro Pac, LLC**, Norwalk, CT (US)
- (**) Term: **15 Years**
- (21) Appl. No.: **29/602,693**

D670,500	S	*	11/2012	Sosnovsky	D3/304
D701,045	S	*	3/2014	Menirom	D3/283
D739,654	S		9/2015	Brouard		
9,345,301	B2		5/2016	Brouard et al.		
D776,929	S	*	1/2017	Noh	D3/315
9,914,206	B1	*	3/2018	Guirlinger	A45C 13/10
D823,600	S	*	7/2018	Pennington	D3/315
D825,921	S	*	8/2018	Pennington	D3/283

(Continued)

- (22) Filed: **May 2, 2017**
- (51) **LOC (11) Cl.** **03-01**
- (52) **U.S. Cl.**
USPC **D3/315; D3/313; D3/905**
- (58) **Field of Classification Search**
USPC D3/203.6, 217, 218, 233, 249, 269, 274,
D3/276, 279, 282, 284, 288-290,
D3/302-305, 310, 315, 318, 900, 90, 905,
D3/903, 272, 261, 285; 383/40;
220/735; 206/373, 372
CPC . B25H 3/00; B25H 3/02; B25H 3/003; B25H
3/023; B25H 3/028; B25H 3/06; B25H
3/021; B25H 1/04; B25H 1/12; B65D
30/22; B65D 85/00; A45C 13/26; A45C
3/00; A45C 7/0077; A45C 13/02; A45C
13/10

See application file for complete search history.

(56) **References Cited**

U.S. PATENT DOCUMENTS

D426,384	S		6/2000	Brouard		
6,126,003	A		10/2000	Brouard		
D487,345	S		3/2004	Brouard		
D490,245	S		5/2004	Brouard		
6,915,902	B2		7/2005	Brouard		
D553,362	S	*	10/2007	Godshaw	D3/310
D613,507	S		4/2010	Brouard		
D635,769	S	*	4/2011	Sosnovsky	D3/304
D648,533	S	*	11/2011	Sosnovsky	D3/283
D662,714	S	*	7/2012	Fraiman	D3/315

OTHER PUBLICATIONS

Veto Pro Pac Tech OT MC (via YouTube), available Jun. 16, 2017, [online], [site visited Nov. 9, 2018]. Available from internet, <URL: <https://www.youtube.com/watch?v=gnv1qpDqFJc> (Year: 2017).*

(Continued)

Primary Examiner — Cathron C Brooks
Assistant Examiner — W. A. Teddy Falloway
(74) *Attorney, Agent, or Firm* — Alix, Yale & Ristas, LLP

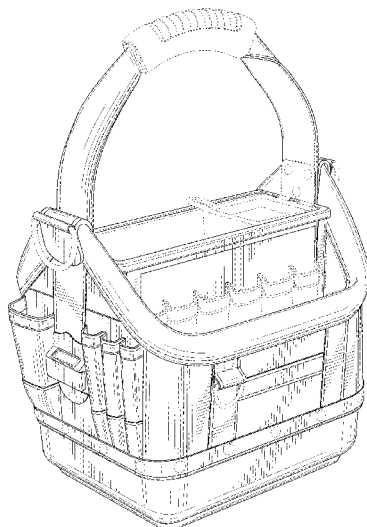
(57) **CLAIM**

The ornamental design for the tool carrier, as shown and described.

DESCRIPTION

FIG. 1 is a front perspective view of a tool carrier showing my new design;
FIG. 2 is a front elevation view of the tool carrier of FIG. 1;
FIG. 3 is a rear elevation view of the tool carrier of FIG. 1;
FIG. 4 is a left end view of the tool carrier of FIG. 1;
FIG. 5 is a right end view of the tool carrier of FIG. 1;
FIG. 6 is a top view, looking down into the tool carrier of FIG. 1; and,
FIG. 7 is a bottom view, looking up at the tool carrier of FIG. 1.
The broken lines shown in the drawings illustrate portions of the tool carrier that form no part of the claimed design.

1 Claim, 7 Drawing Sheets



(56)

References Cited

U.S. PATENT DOCUMENTS

2004/0055679	A1*	3/2004	Gordon	A45C 11/24 150/112
2006/0011502	A1*	1/2006	Redzisz	A45C 13/04 206/373
2008/0035509	A1*	2/2008	Redzisz	A45C 13/04 206/373
2008/0073361	A1	3/2008	Brouard	
2008/0179370	A1*	7/2008	Williams	A45C 13/02 224/682
2008/0202962	A1	8/2008	Brouard	
2008/0230416	A1	9/2008	Brouard	
2009/0008281	A1*	1/2009	Williams	B25H 3/00 206/373
2015/0201722	A1	7/2015	Brouard	
2018/0319541	A1*	11/2018	Brouard	B65D 25/06

OTHER PUBLICATIONS

Veto Pro Pac Tech OT-MC Tool Bag Review (via YouTube), available Jul. 9, 2017, [online], [site visited Nov. 9, 2018]. Available from internet, <URL: https://www.youtube.com/watch?v=1_dkiKgtqFw (Year: 2017).*

Jackson Palmer 9" Tool Carrier (via amazon.com), available Dec. 14, 2017, [online], [site visited Nov. 9, 2018]. Available from internet, <URL: <https://www.amazon.com/Jackson-Palmer-Additional-Electrical-Maintenance/dp/B0788W8HWW> (Year: 2017).*

Tradesman Pro 8-Inch Klein Tools (via amazon.com), available Mar. 7, 2013, [online], [site visited Nov. 9, 2018]. Available from internet, <URL: https://www.amazon.com/dp/B00MVRGYC8/ref=sxbs_sxwds-stvpv2_2?pf_rd_m=ATVPDKIKX0DER&pf_rd_p=6375e697-f226-4dbd-a63a- (Year: 2013).*

* cited by examiner

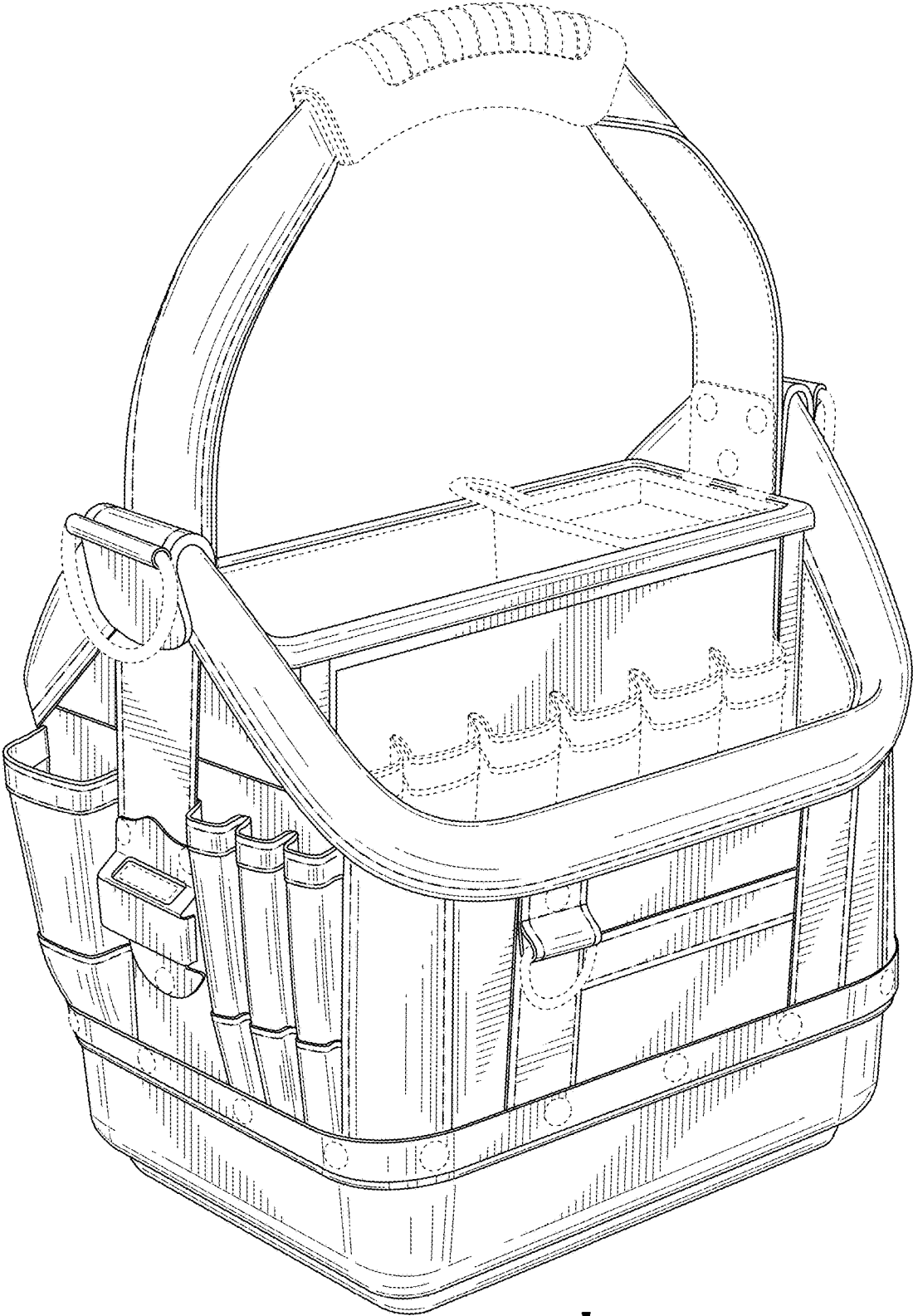


FIG. 1

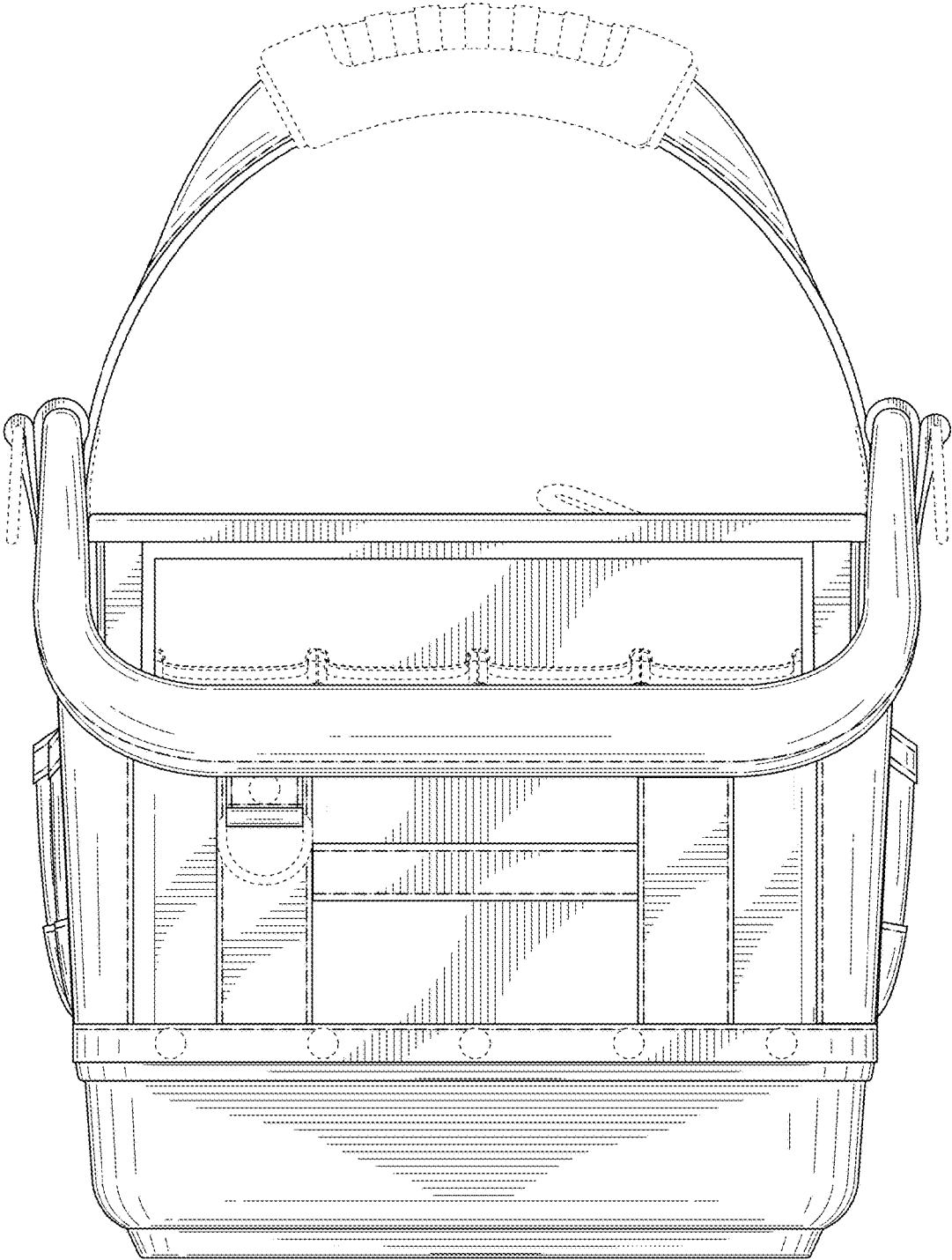


FIG. 2

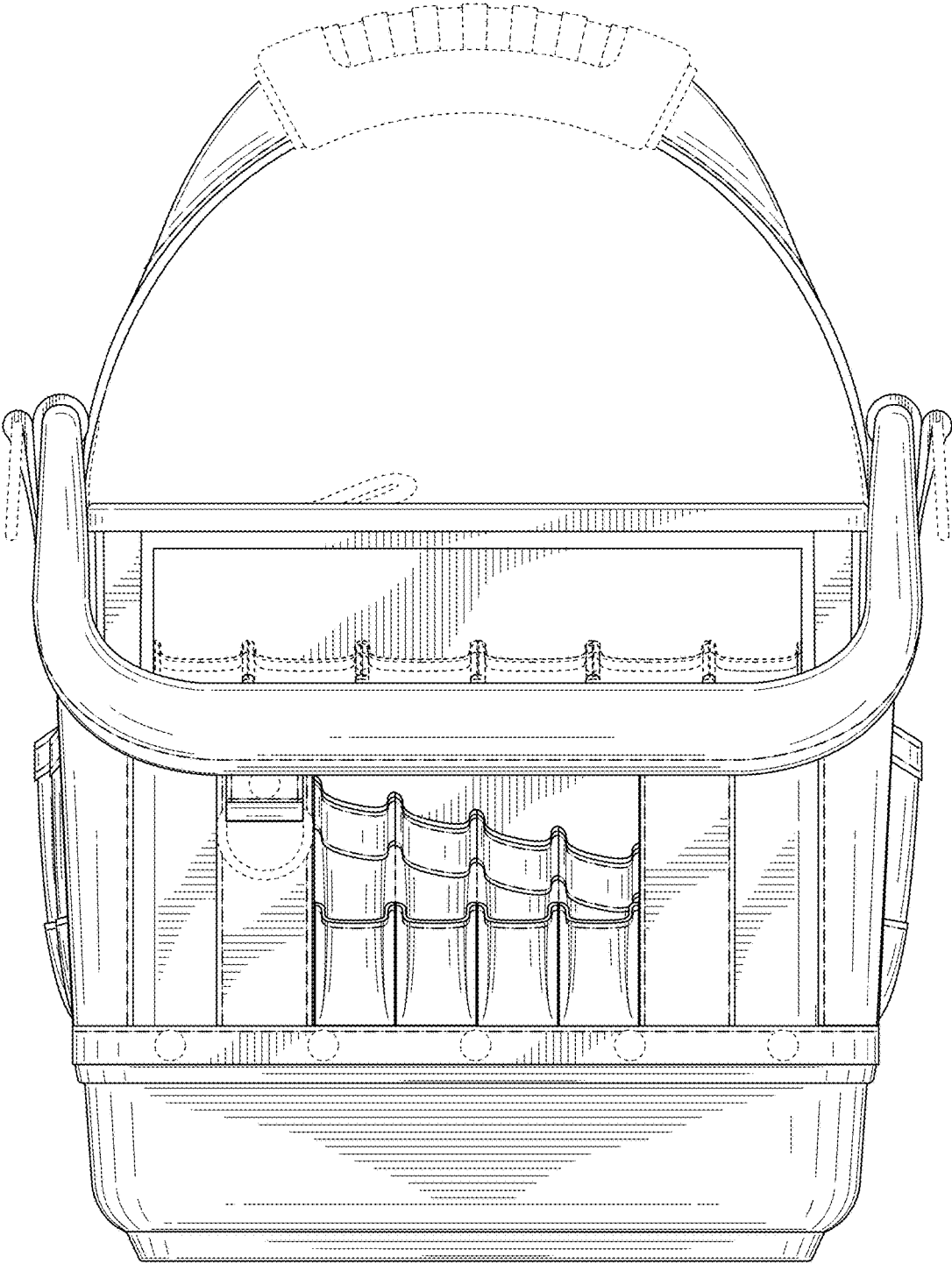


FIG. 3

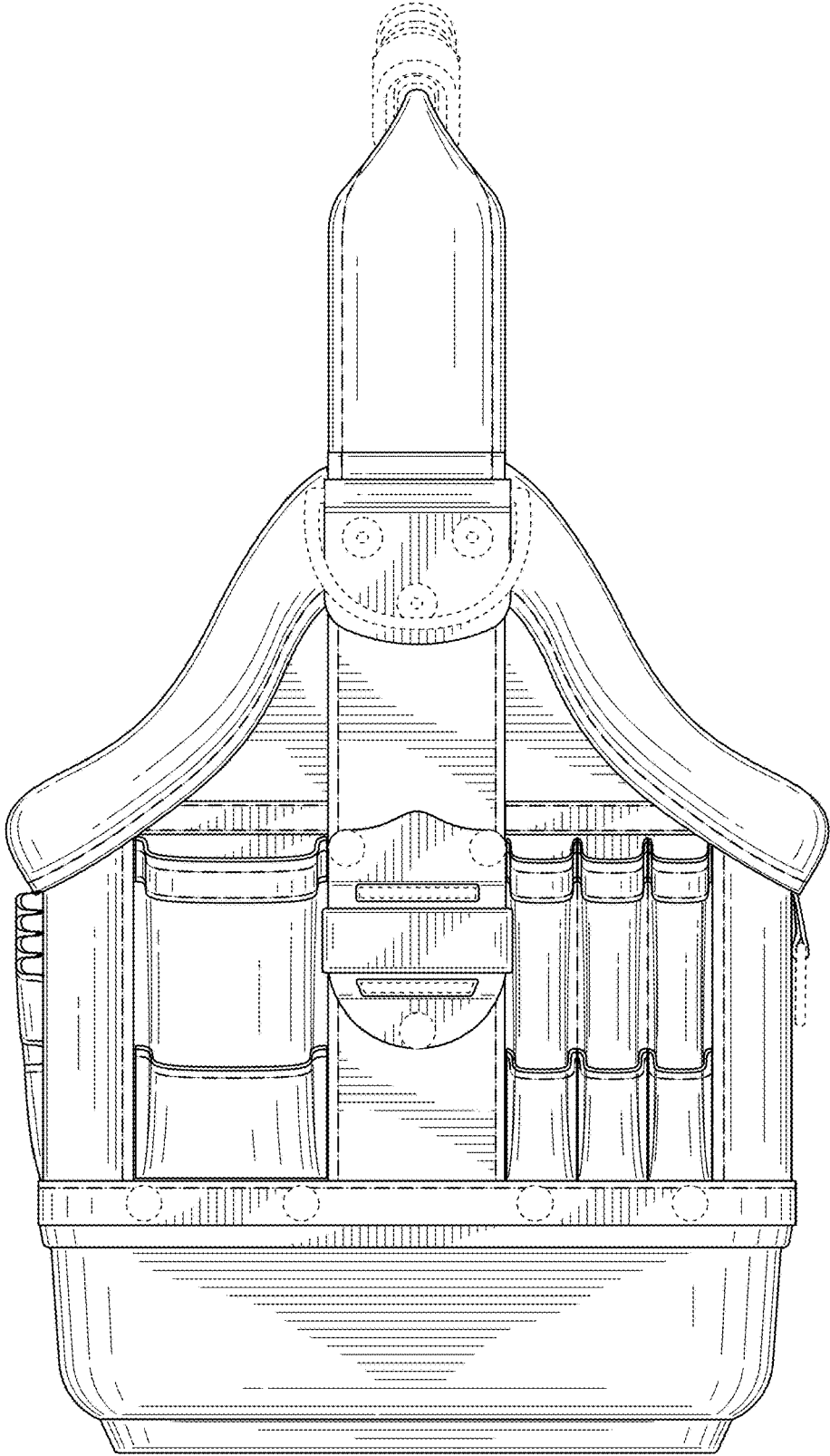


FIG. 4

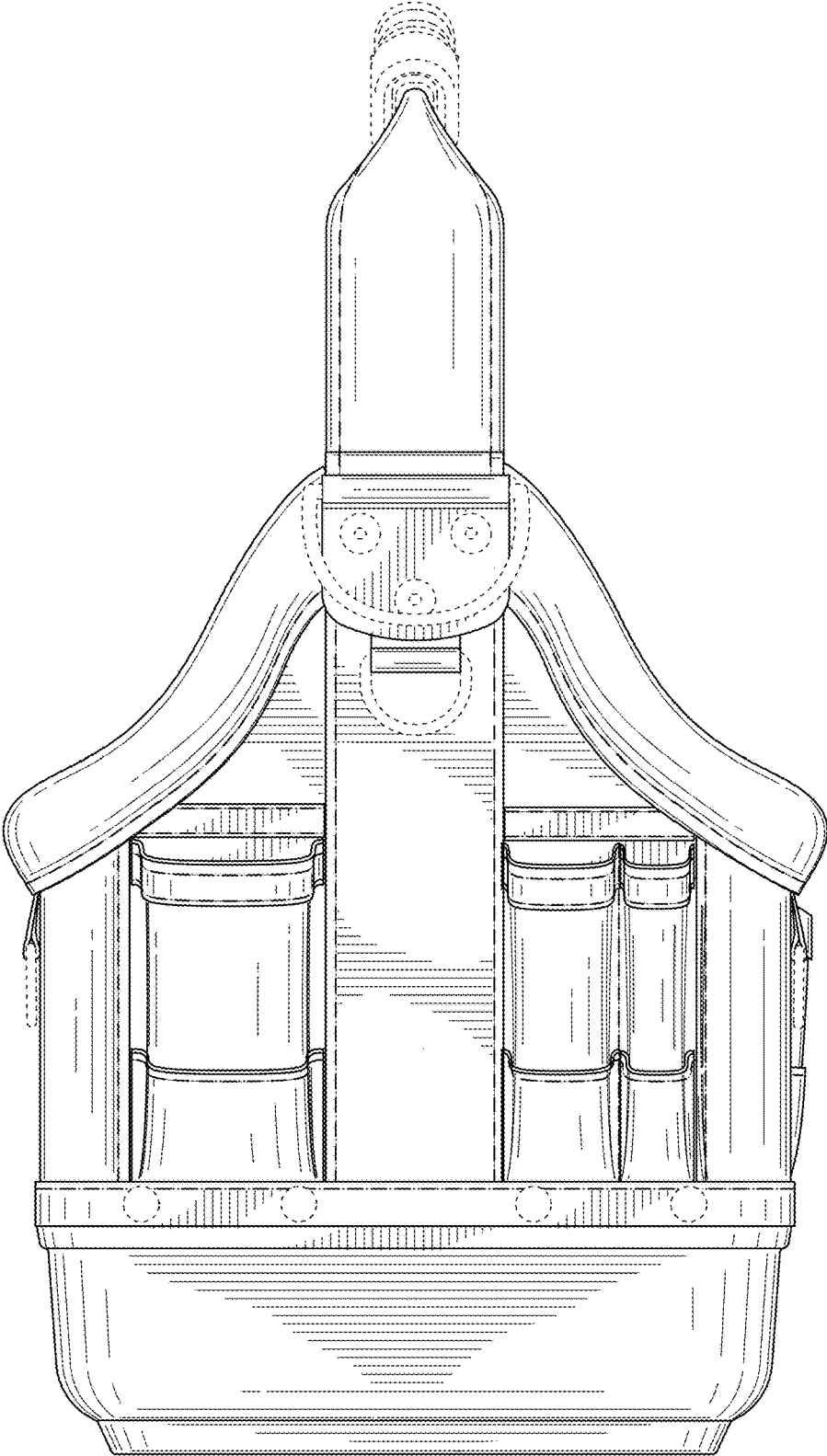


FIG. 5

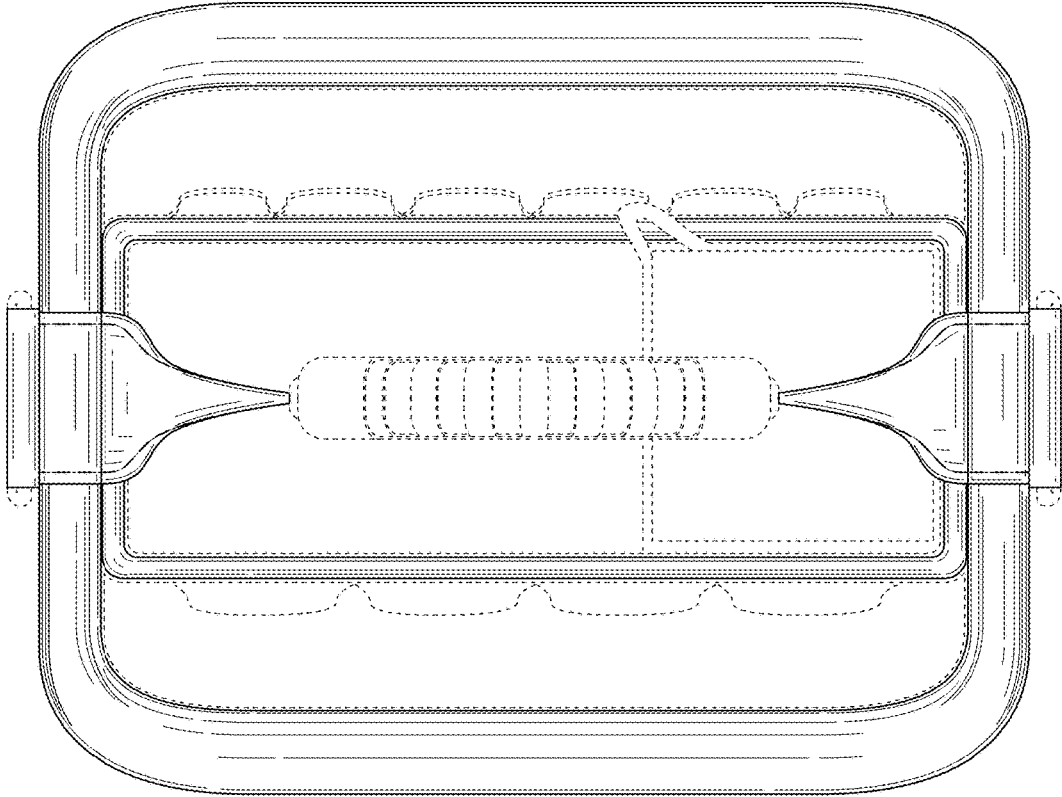


FIG. 6

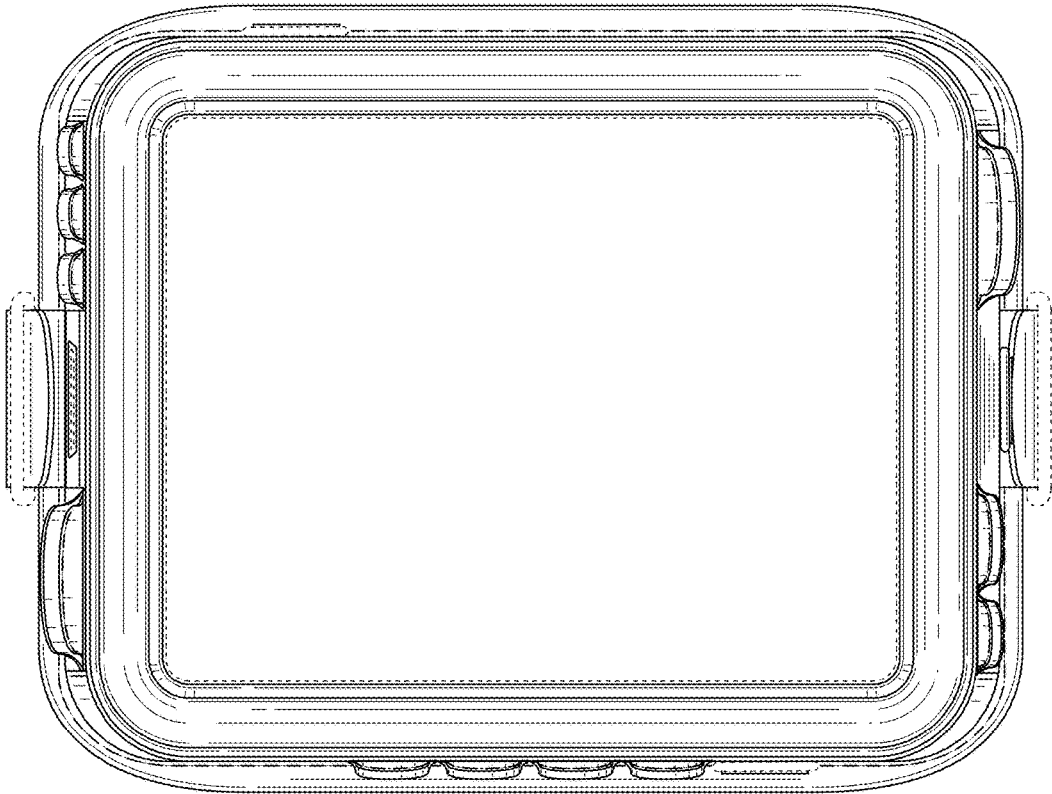


FIG. 7