



US00D900341S

(12) **United States Design Patent**  
**Pegg**

(10) **Patent No.:** **US D900,341 S**

(45) **Date of Patent:** **\*\* Oct. 27, 2020**

- (54) **RETAINING WALL BLOCK**
- (71) Applicant: **Western Interlock, Inc.**, Rickreall, OR (US)
- (72) Inventor: **Wyatt Pegg**, Rickreall, OR (US)
- (73) Assignee: **Western Interlock, Inc.**, Rickreall, OR (US)
- (\*\*) Term: **15 Years**
- (21) Appl. No.: **29/713,689**
- (22) Filed: **Nov. 18, 2019**

**Related U.S. Application Data**

- (62) Division of application No. 29/621,175, filed on Oct. 5, 2017, now Pat. No. Des. 867,620.
- (51) **LOC (12) Cl.** ..... **25-01**
- (52) **U.S. Cl.**  
USPC ..... **D25/114**
- (58) **Field of Classification Search**  
USPC ..... D21/484–486, 499–505; D25/112–118  
(Continued)

**References Cited**

**U.S. PATENT DOCUMENTS**

- 5,294,216 A \* 3/1994 Sievert ..... B2B 7/0097  
405/262
- 5,622,456 A 4/1997 Risi et al.  
(Continued)

**FOREIGN PATENT DOCUMENTS**

- AU 200027651 B2 11/2000
- AU 200191446 B2 5/2002  
(Continued)

**OTHER PUBLICATIONS**

Angelus Planter Wall—Angelus Paving Stones <https://www.angeluspavingstones.com/collections/decorative-walls/planter-walls/> Available Nov. 2012 (Year: 2012).\*

(Continued)

*Primary Examiner* — Leanne Was-Englehart  
(74) *Attorney, Agent, or Firm* — McKee, Voorhees & Sease, PLC

(57) **CLAIM**

I claim the ornamental design for a retaining wall block, substantially as shown and described.

**DESCRIPTION**

FIG. 1 is a perspective view of the first configuration of the retaining wall block, according to the present invention, with structure shown in broken lines not being a part of the claimed invention.

FIG. 2 is a front elevation view of the retaining wall block shown in FIG. 1, with structure shown in broken lines not being a part of the claimed invention.

FIG. 3 is a rear elevation view of the retaining wall block shown in FIG. 1.

FIG. 4 is a left end view of the retaining wall block shown in FIG. 1.

FIG. 5 is right end view of the retaining wall block shown in FIG. 1.

FIG. 6 is a top plan view of the retaining wall block shown in FIG. 1.

FIG. 7 is a bottom plan view of the retaining wall block shown in FIG. 1.

FIG. 8 is a perspective view of the second configuration of the retaining wall block, with structure shown in broken lines not being a part of the claimed invention.

FIG. 9 is a front elevation view of the retaining wall block shown in FIG. 8, with structure shown in broken lines not being a part of the claimed invention.

FIG. 10 is a rear elevation view of the retaining wall block shown in FIG. 8.

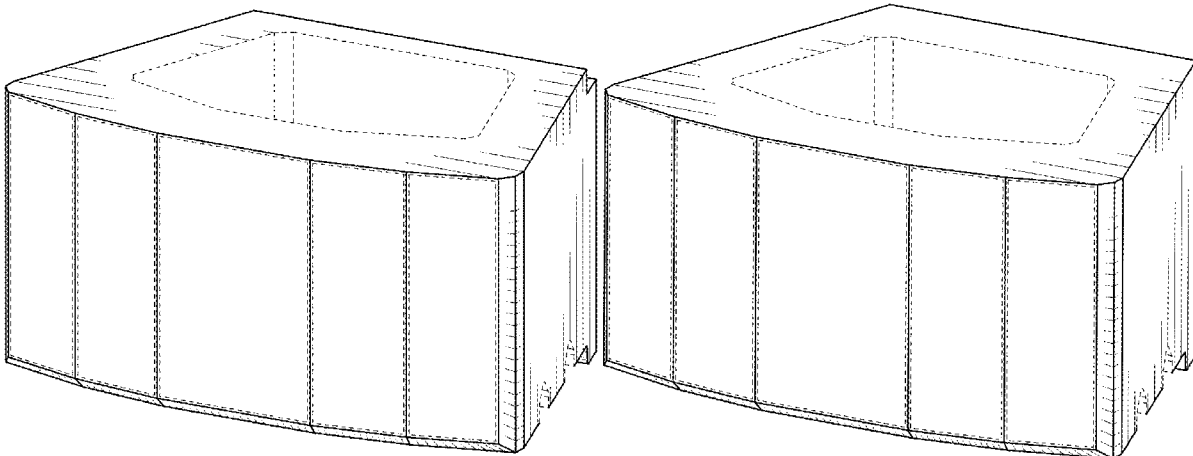
FIG. 11 is a left end view of the retaining wall block shown in FIG. 8.

FIG. 12 is right end view of the retaining wall block shown in FIG. 8.

FIG. 13 is a top plan view of the retaining wall block shown in FIG. 8; and,

FIG. 14 is a bottom plan view of the retaining wall block shown in FIG. 8.

**1 Claim, 8 Drawing Sheets**



US D900,341 S

(58) **Field of Classification Search**  
CPC ... E02D 29/02; E02D 29/025; E02D 29/0225;  
E02D 29/0241; E04B 2/00; B28B 7/162  
See application file for complete search history.

(56) **References Cited**

U.S. PATENT DOCUMENTS

5,707,184 A \* 1/1998 Anderson ..... B29C 49/2408  
405/262  
D397,451 S \* 8/1998 Stevenson ..... D25/113  
5,941,042 A \* 8/1999 Dueck ..... E04C 1/395  
405/286  
D430,680 S \* 9/2000 Blomquist ..... D25/113  
6,168,354 B1 \* 1/2001 Martin ..... E02D 29/025  
405/284  
6,178,715 B1 1/2001 Pacitto et al.  
6,398,458 B1 6/2002 Pacitto et al.  
D467,009 S \* 12/2002 Agee ..... D25/113  
6,701,687 B1 \* 3/2004 Shillingburg ..... E02D 29/0241  
405/284  
6,829,867 B2 12/2004 Gresser et al.  
6,871,468 B2 \* 3/2005 Whitson ..... E02D 29/025  
52/169.4  
7,360,970 B2 4/2008 Woolford et al.  
7,963,727 B1 6/2011 Wauhop  
D645,575 S \* 9/2011 Bone ..... D25/113  
D663,858 S \* 7/2012 MacDonald ..... D25/113  
D666,740 S \* 9/2012 MacDonald ..... D25/113  
D667,566 S \* 9/2012 MacDonald ..... D25/113  
D685,502 S \* 7/2013 MacDonald ..... D25/113  
D689,203 S \* 9/2013 MacDonald ..... D25/114  
D689,204 S \* 9/2013 MacDonald ..... D25/114  
D694,914 S \* 12/2013 MacDonald ..... D25/113

8,684,633 B2 4/2014 Rainey  
D708,765 S \* 7/2014 MacDonald ..... D25/113  
8,882,398 B2 11/2014 Bender et al.  
D731,676 S \* 6/2015 Karau ..... D25/113  
D768,876 S \* 10/2016 Lindberg ..... D25/113  
D867,620 S \* 11/2019 Pegg ..... D25/114  
D877,936 S \* 3/2020 Lindberg ..... D25/113  
2006/0051166 A1 3/2006 Lee  
2007/0036616 A1 \* 2/2007 Knudson ..... E02D 29/02  
405/284  
2011/0217127 A1 \* 9/2011 MacDonald ..... E02D 29/025  
405/284  
2012/0057939 A1 \* 3/2012 Bone ..... E02D 29/0225  
405/284  
2015/0197912 A1 7/2015 Parsons  
2016/0369472 A1 12/2016 Ianello et al.

FOREIGN PATENT DOCUMENTS

AU 2003241633 A1 9/2003  
AU 2006249237 A1 6/2007  
CA 2700908 C 4/2009  
CA 2854940 C 10/2016  
CN 302352364 3/2013  
EP 1600563 A3 5/2009  
KR 20060026098 A 3/2006

OTHER PUBLICATIONS

Western Interlock Facebook, <https://www.facebook.com/WesternInterlock/photos/a.750098355057905/2155585511175842/?type=3&theater>, 1 page, posted Feb. 18, 2019.

\* cited by examiner

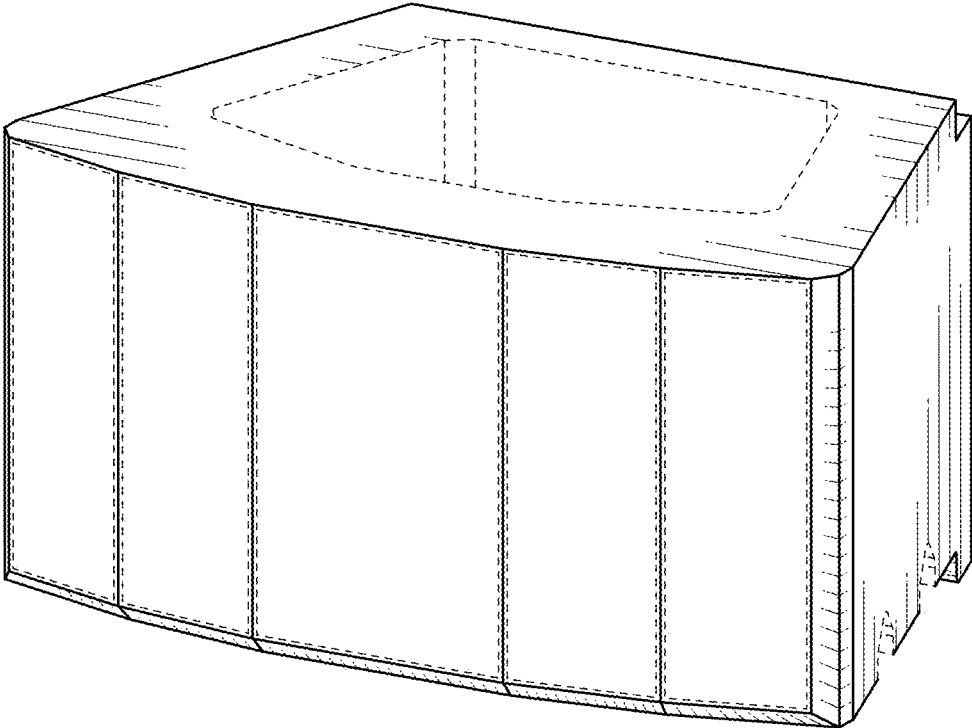


FIG. 1

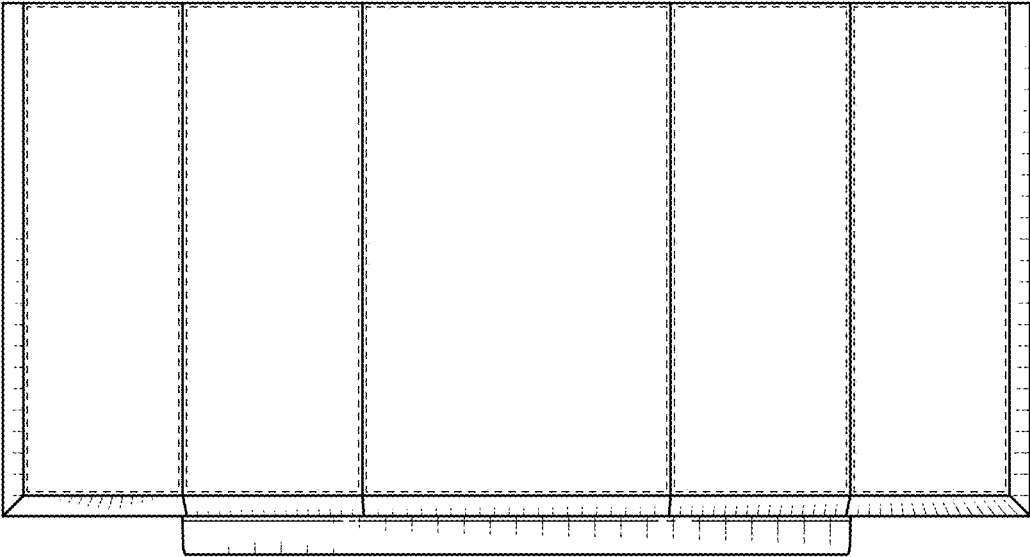


FIG. 2

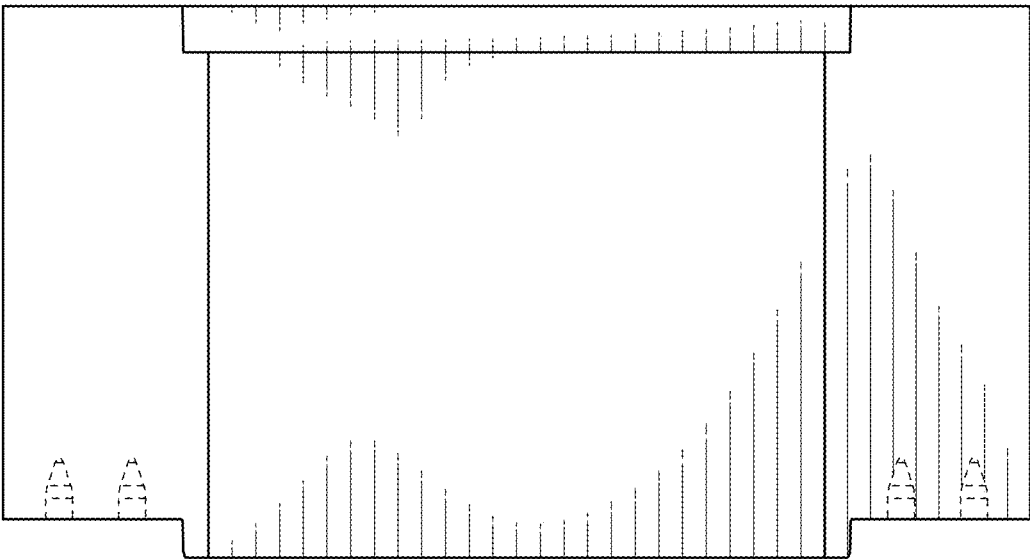


FIG. 3

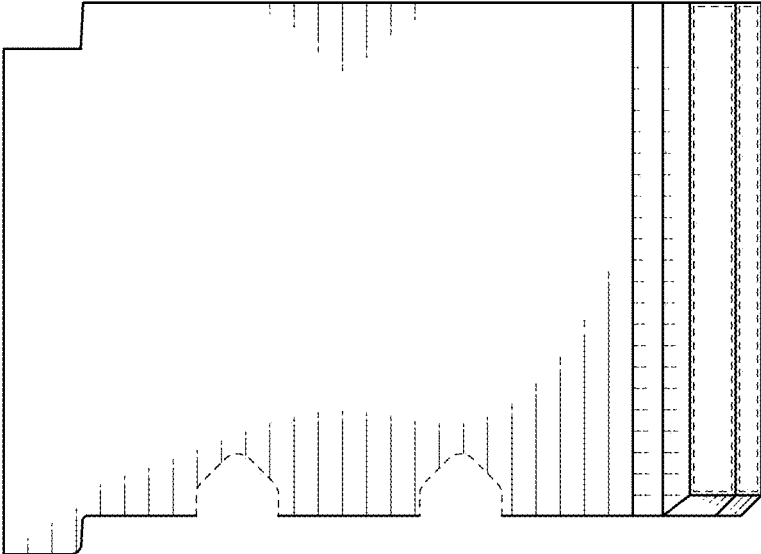


FIG. 4

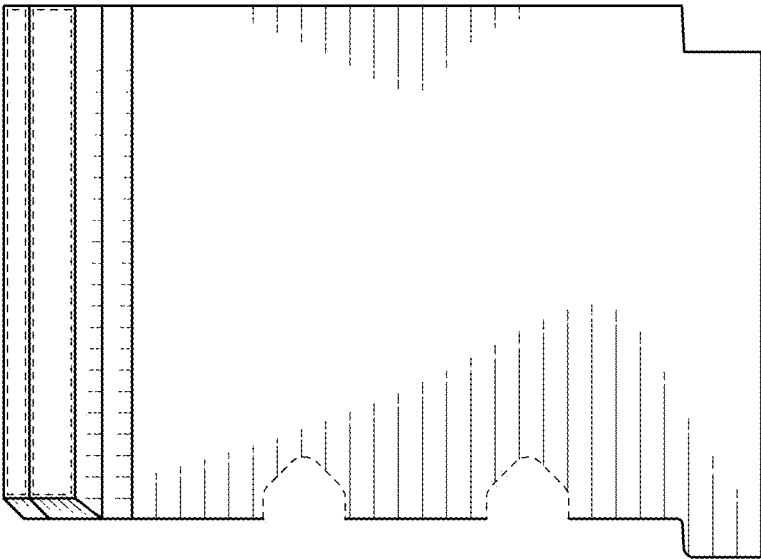


FIG. 5

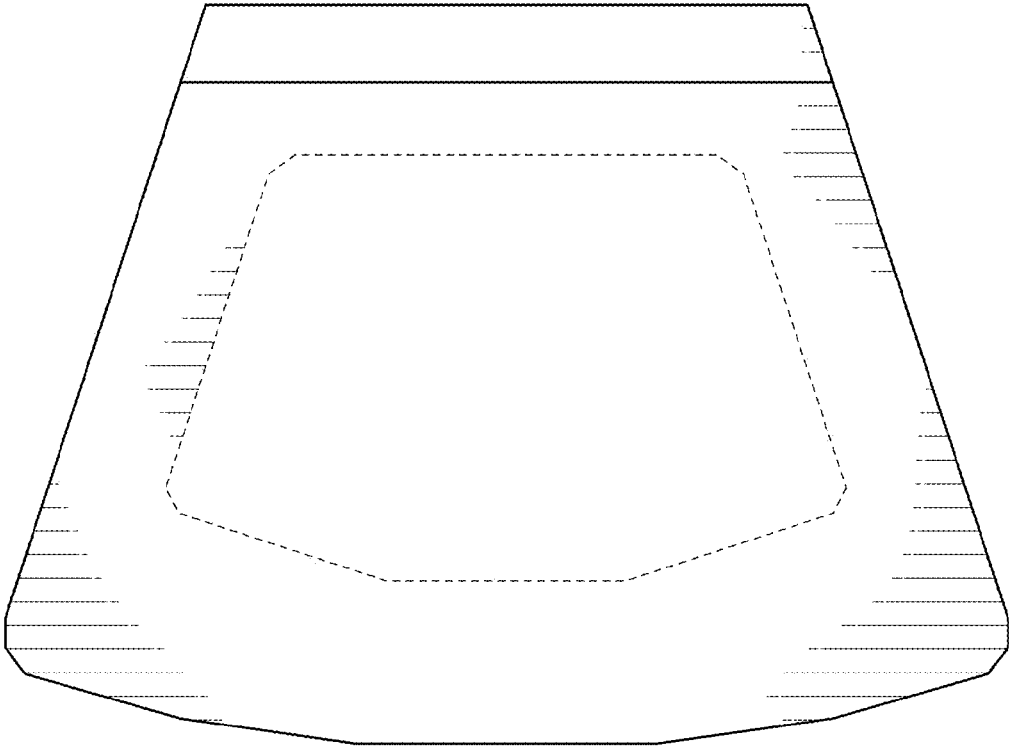


FIG. 6

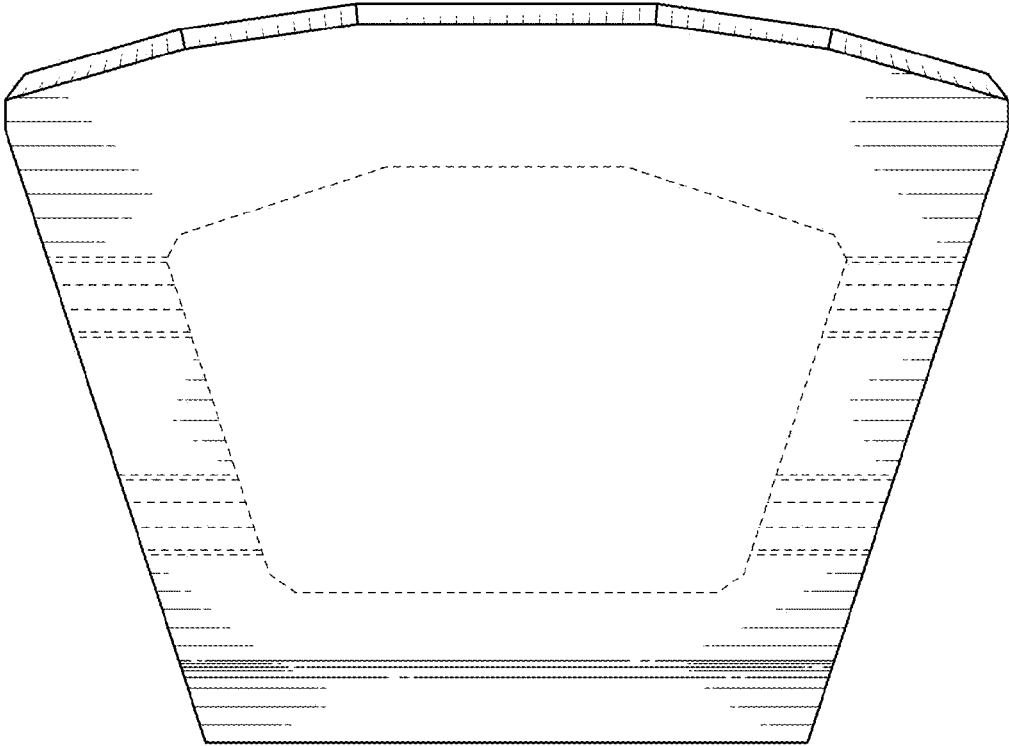


FIG. 7

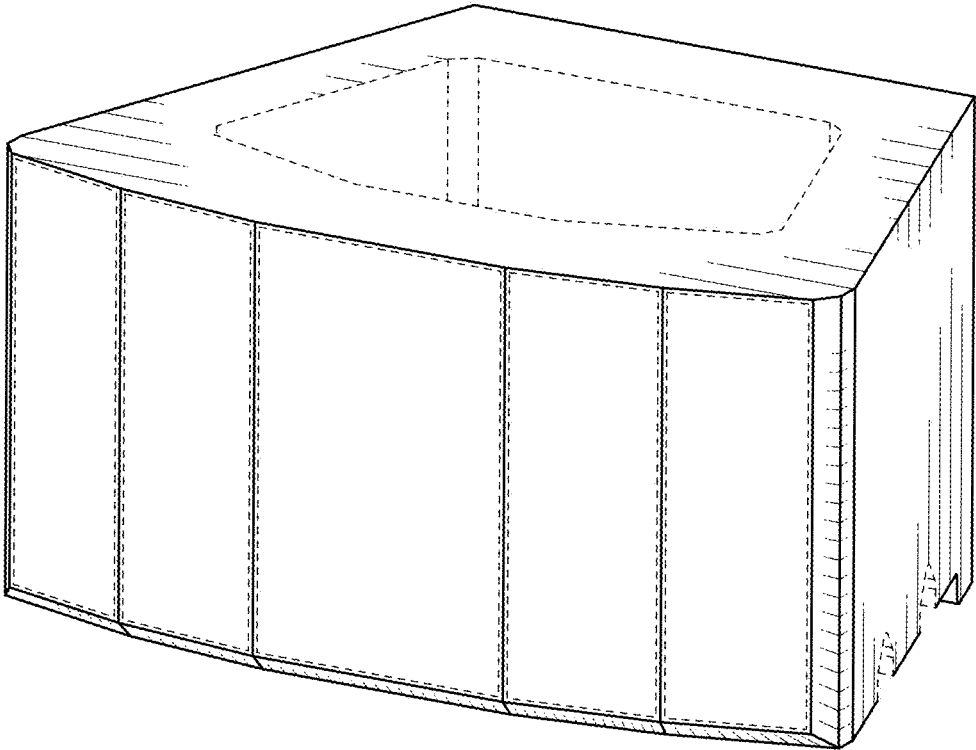


FIG. 8

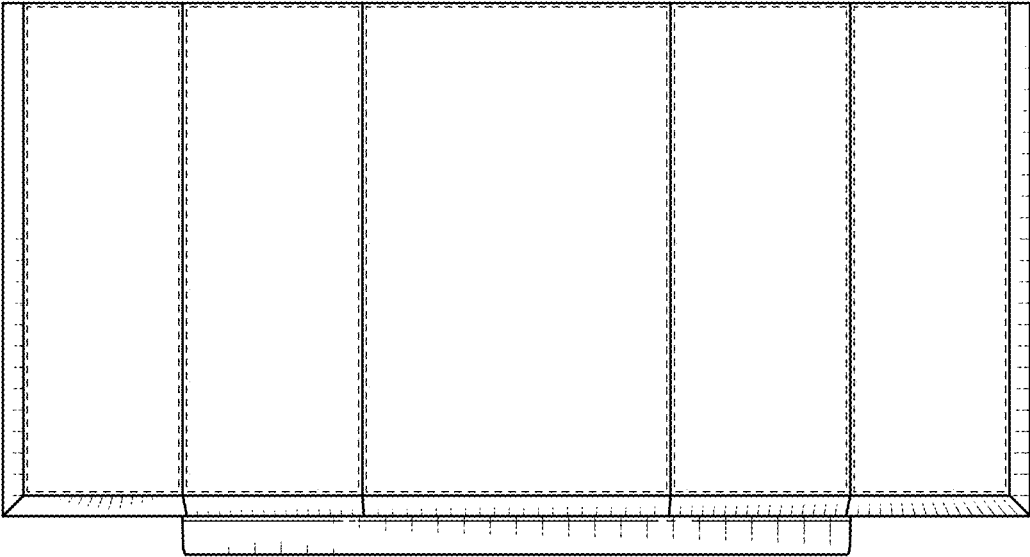


FIG. 9

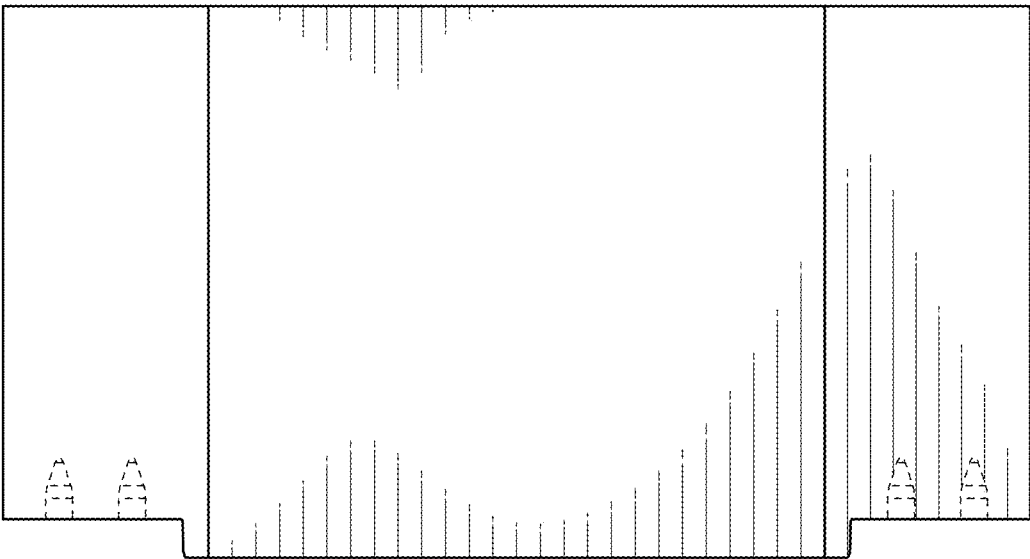


FIG. 10



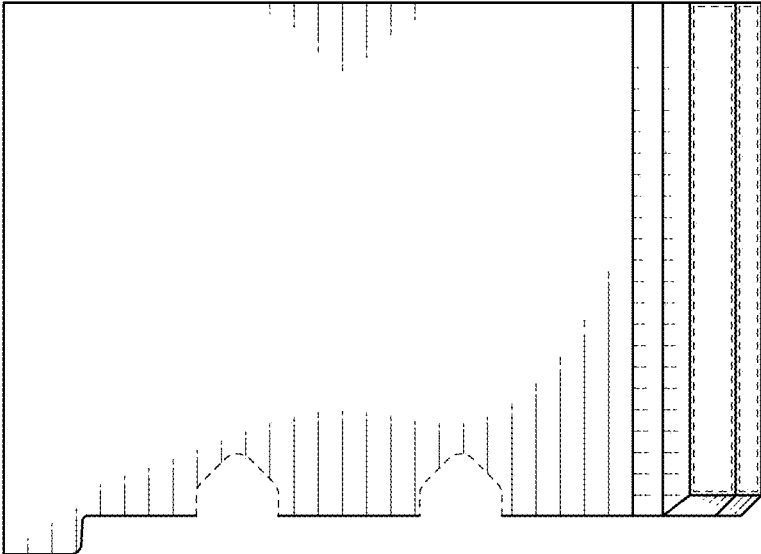


FIG. 11

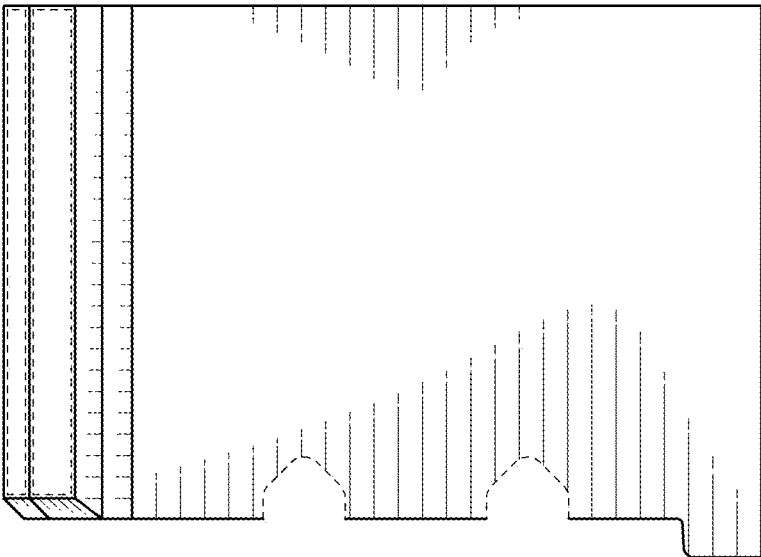


FIG. 12

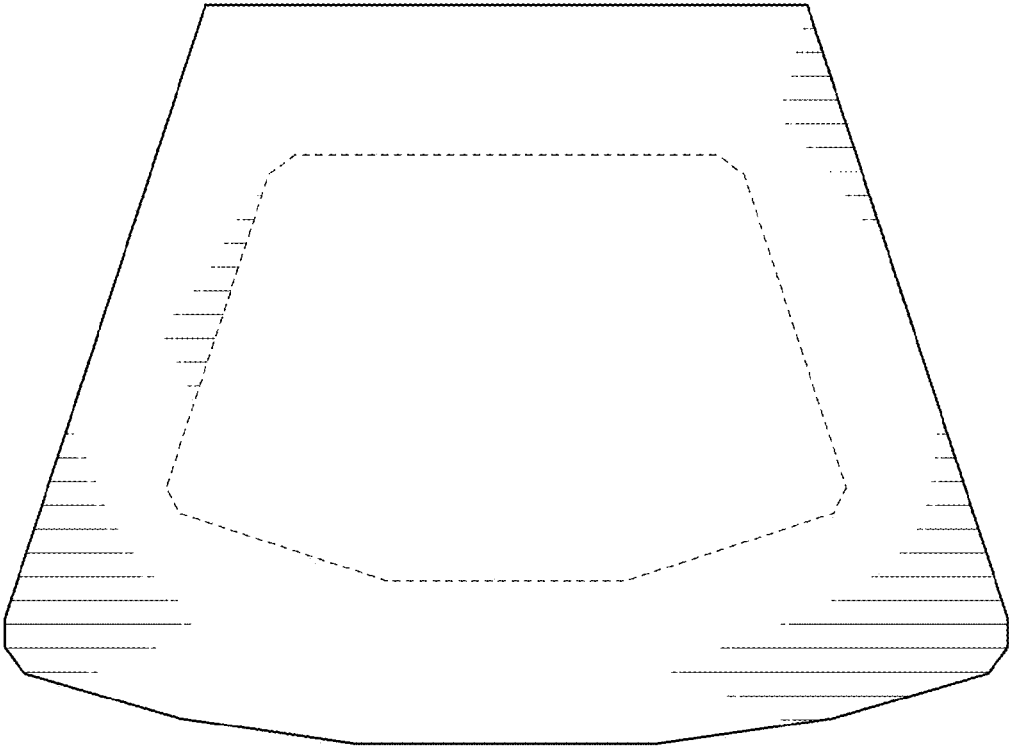


FIG. 13

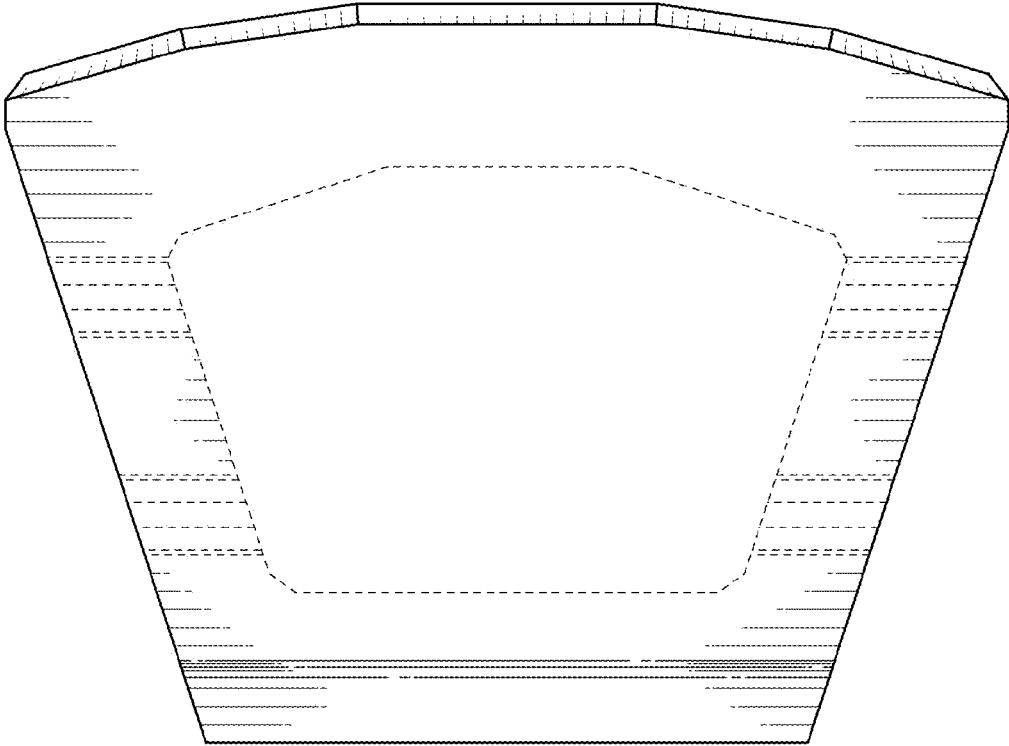


FIG. 14