

(12) UK Patent Application (19) GB (11) 2 202 123 (13) A

(43) Application published 21 Sep 1988

(21) Application No 8706343

(22) Date of filing 17 Mar 1987

(71) Applicant
Charles Ronald Thomason
29 The Alley, Gornal Wood, Dudley,
West Midlands, DY3 2UL

(72) Inventor
Charles Ronald Thomason

(74) Agent and/or Address for Service
George Fuery & Co
Whitehall Chambers, 23 Colmore Row,
Birmingham, B3 2BL

(51) INT CL⁴
A01M 5/02 1/00 1/02

(52) Domestic classification (Edition J):
A1M DB
U1S 1023 1187 A1M

(56) Documents cited
GB A 2095966 GB 1448214 GB 1391643
GB 1060978 GB 1036184 GB 0526444
GB 0398217 US 4035946

(58) Field of search
A1M
Selected US specifications from IPC sub-class
A01M

(54) Pest trap

(57) Trap for slugs or other garden pests comprises a lower portion (14) in the form of a container operatively sunk below ground level, e.g. in an outer case (15), a column portion (13) extending upwardly of the lower portion and having one or more apertures (16) at or near ground level, and a weathershield (11) which may be mushroom shaped and may be decoratively finished, e.g. with a garden gnome, supported on the stem portion and projecting substantially outwardly of the stem.

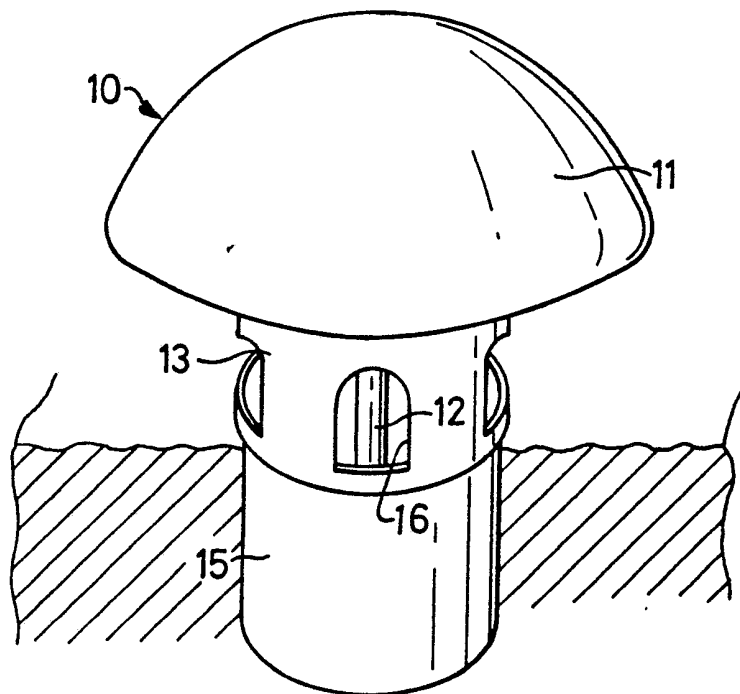


Fig. 1

The drawing(s) originally filed was (were) informal and the print here reproduced is taken from a later filed formal copy.
The claims were filed later than the filing date within the period prescribed by Rule 25(1) of the Patents Rules 1982.

GB 2 202 123 A

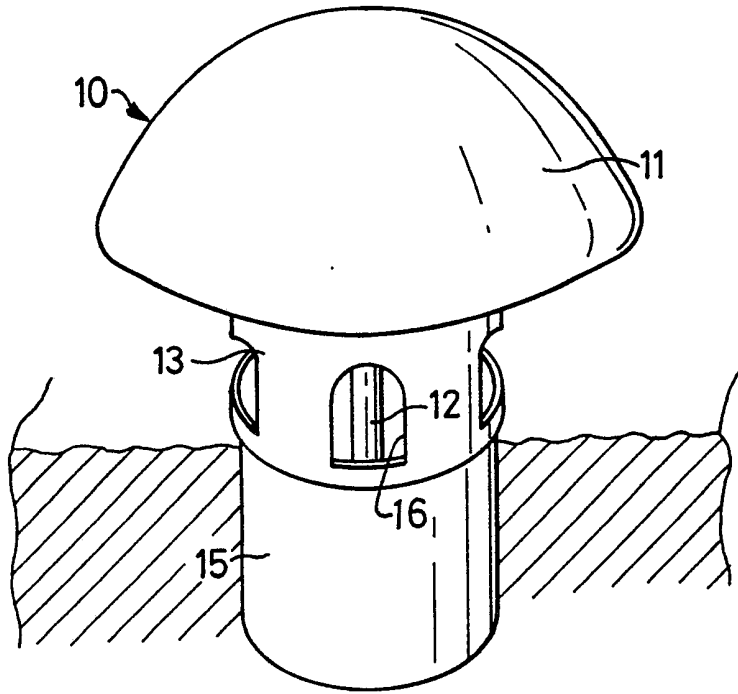


Fig. 1

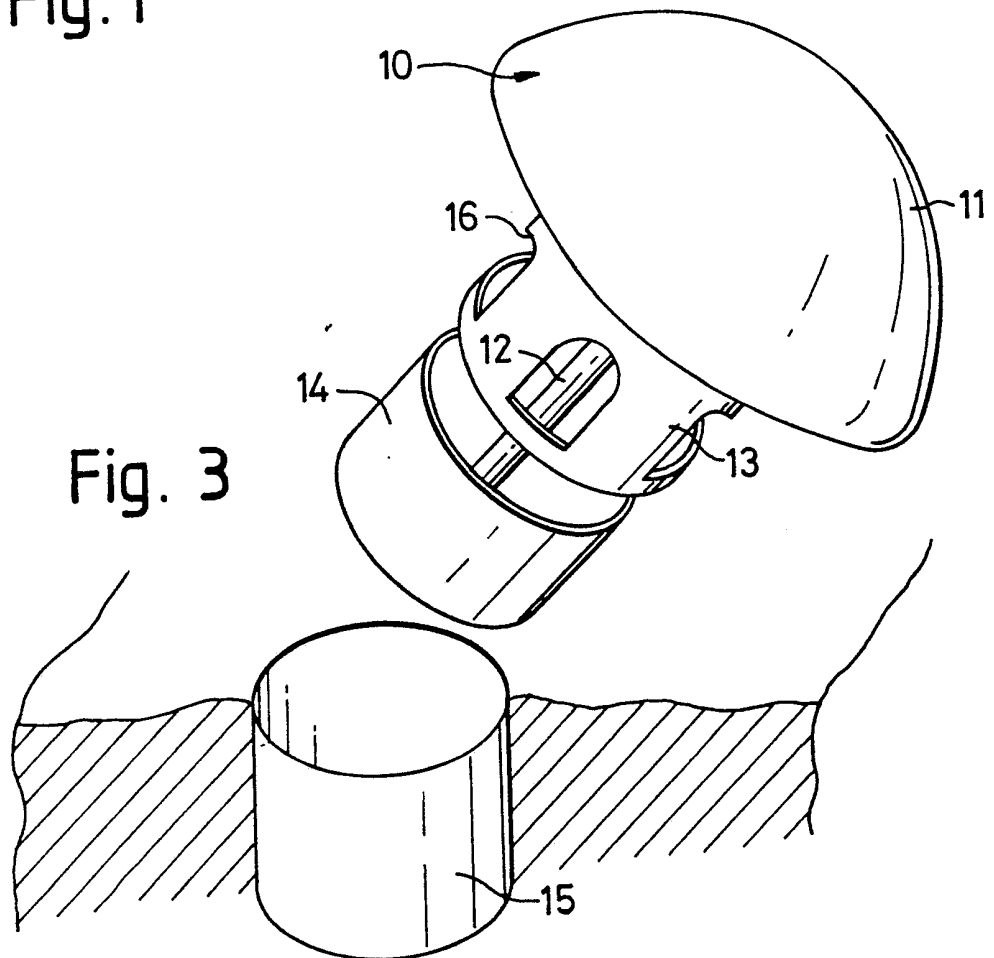


Fig. 3

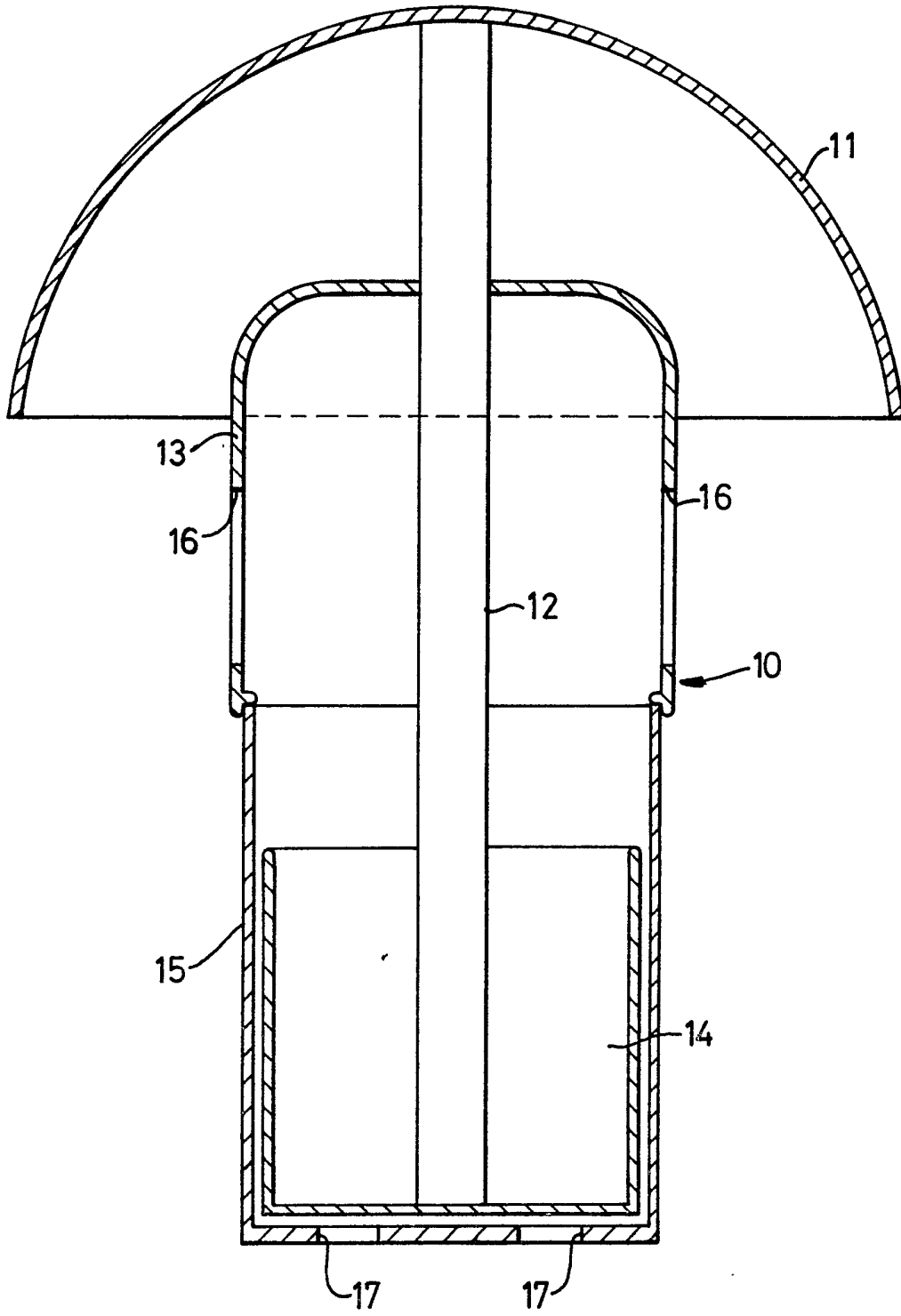


Fig. 2

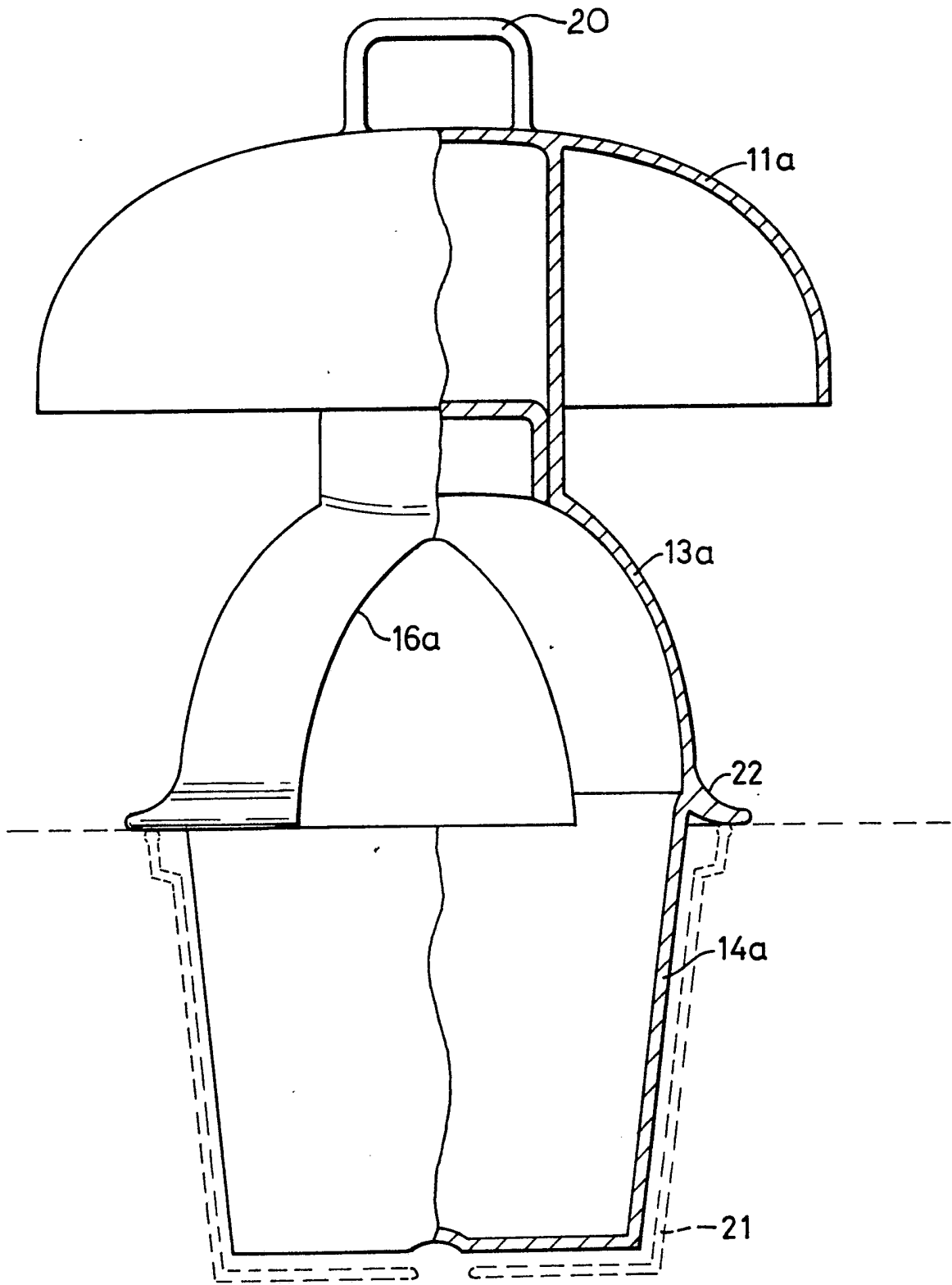


Fig. 4

1.

PEST TRAP

This invention relates to traps for agricultural, horticultural or garden use to aid in the control of such pests or vermin as slugs, snails and possibly certain insects and the like such as ants etc.

5 It is known to provide poisoned or other bait such as slug pellets to attract the pests and either exterminate them directly or at least attract and trap them so that they can be collected and exterminated by other means. To remain effective the bait needs
10 to be protected from the weather and excessive dampness and it also needs to be reasonably inaccessible to larger mammals and birds not only to prevent their removing the bait but also to avoid harmful effects to them if poison is used.

15 Makeshift devices such as jam jars, flower pots, or slabs of stone are often used by gardeners for this purpose but they are unsightly, inefficient, and the protection given by them is often unreliable or ineffective.

20 The object of the invention is to provide an improved pest trap which is durable, of simple construction, economical to provide, pleasing in appearance, and effective in use with consequent economy in bait, safety, and better performance in the attraction
25 and destruction of the pests.

According to the invention there is provided a pest trap comprising a lower portion in the form of a container to be operatively sunk below ground level to hold a supply of bait in use, a column portion
5 extending upwardly of the base portion and having one or more apertures opening at or near ground level in use to give operative access to the bait restricted to insects or other animals below a predetermined size, and a weathershield supported on the stem portion
10 and projecting substantially outwardly of the stem.

While said portions and/or the weathershield may be detachable from one another, conveniently they form a unitary structure e.g. comprising one or more plastics mouldings.

15 In one form of the invention the trap further comprises an outer casing in which the lower portion is operatively received in telescopic fashion, the outer casing defining a semi-permanent socket in the ground into or from which the remaining parts
20 of the trap can readily be inserted or removed.

In another version of the invention the lower portion is shaped to fit telescopically within a standard flower pot or the like, the latter being operatively sunk into the ground to serve as an outer
25 case.

Conveniently the weathershield and stem are mushroom or umbrella shaped and may be given an ornamental or decorative finish e.g. in imitation of a coloured toadstool.

A lifting handle may be provided on top of the weathershield and this may also be shaped as a decorative feature e.g. a model of a gnome or small animal sitting on top of the toadstool so that the trap also serves
5 as a garden ornament.

Some examples of the invention are now more particularly described with reference to the accompanying drawings wherein:

Figure 1 shows a first form of pest trap assembled and located ready for use;
10

Figure 2 is a vertical section through the trap shown in Figure 1;

Figure 3 is an exploded view of said trap showing its manner of disassembly; and

15 Figure 4 is a half vertical section of another form of trap embodying the invention.

Referring firstly to Figures 1-3 a first version of the pest trap comprises a main assembly 10 including a domed mushroom or umbrella shaped weathershield
20 11 carried on the upper end of a central rod 12 which, in this version, secures the assembly together.

Rod 12 passes downward through a cylindrical stem portion 13, its lower end being engaged with a lower portion in the form of a cup like container
25 14.

An outer case 15 is dimensioned to allow container 14 to nest inside it in telescopic fashion with the lower rim of stem portion 13 abutting the upper rim of case 15 as best seen in Figure 2.

One or more small openings 16 are provided in the wall of stem portion 13.

In use, as shown in Figure 1, case 15 is sunk into the ground in an appropriate location in e.g. a garden with its rim at about ground level. It has drain holes 17 in its base so that it does not become water-logged. Bait, e.g. a composition both attractive and toxic to slugs and snails is placed in container 14 which is then positioned within case 15 so that apertures 16 open just above ground level.

Weathershield 11 protects the interior of the trap from the weather and also makes access thereto by large animals such as dogs and foxes, e.g. by inserting their tongues through the apertures, more difficult. The assembly is well stabilised by its engagement in case 15 so that it cannot be knocked over or readily dislodged.

The size of aperture 16 is such that mammals and birds cannot easily reach the bait yet they allow ingress by insect and other small pests such as slugs and snails attracted by the bait.

The assembly is readily emptied and/or the bait replaced by simply lifting it out of the case 15 (as shown in Figure 3), it can be tipped up and shaken to remove the contents or, possibly, provision may be made for the parts to be disassembled from rod 12 e.g. for cleaning.

A modified construction is shown in Figure 4. Here the rod 12 is dispensed with and the lower portion or container 14a is releasably engaged with, permanently attached to, or possibly made integral with stem portion 13a, the lower part of the latter being bell shaped so that it reduces in diameter to merge with an upper part on which the weathershield 11a is mounted. The stem may be formed in two parts and/or may be integral with or permanently attached to the weathershield and/or the container 14a.

A loop or other lifting handle 20 may be provided on the top of the weathershield.

In this example one or more apertures 16a shaped as two-centred arches are provided but it will be appreciated that other shapes of aperture might be employed e.g. circular or rectangular.

This example utilises a standard flower pot (shown in broken lines at 21) as the outer case, container 14 being tapered to fit telescopically within the pot, the latter being sunk into the ground in use in the same manner as shown with reference to Figure 1. The junction between container 14a and the lower part of stem portion 13a may be provided with an outwardly projecting rim or lip 22 which will seat on the rim of pot 21 and which will prevent rainwater accumulating in the latter though the normal drainhole of the flower pot will help to prevent any water logging.

Either version of the invention may be formed to serve as a garden ornament as well as a pest trap e.g. by the stem portion and weathershield being painted or otherwise given a decorative finish e.g. in imitation of a spotted toadstool and the lifting handle 20 may also be formed as a decorative feature, e.g. a gnome or small animal sitting on the toadstool.

CLAIMS

- 1. A pest trap comprising a lower portion in the form of a container to be operatively sunk below ground level to hold a supply of bait in use, a column portion extending upwardly of the lower portion and having one or more apertures opening at or near ground level in use to give operative access to the bait restricted to insects or other animals below a predetermined size, and a weathershield supported on the stem portion and projecting substantially outwardly of the stem.
- 2. A trap as in Claim 1 wherein said portions and/or the weathershield are detachable from one another.
- 3. A trap as in Claim 1 wherein said portions and the weathershield form a unitary structure.
- 4. A trap as in Claim 1, 2 or 3 further comprising an outer casing in which the lower portion is operatively received in telescopic fashion, the outer casing defining a semi-permanent socket in the ground in use for locating the remaining parts of the trap.
- 5. A trap as in Claim 1, 2 or 3 wherein the lower portion is shaped to fit telescopically within a standard flowerpot, the latter being operatively sunk into the ground to serve as an outer casing for location of the trap.
- 6. A trap as in any preceding claim wherein the weathershield and column portion are mushroom or umbrella shaped.
- 7. A trap as in Claim 6 wherein the weathershield and column portion are given an ornamental decorative finish in imitation of a coloured toadstool or otherwise.
- 8. A trap as in any preceding claim including a lifting handle on the top of the weathershield.

9. A trap as in Claim 8 wherein said lifting handle is shaped as a decorative feature.

10. A pest trap substantially as hereinbefore described with reference to and as shown in Figures 1-3, or in Figure 4 of the accompanying drawings.