



US00D811642S

(12) **United States Design Patent**
Liang

(10) **Patent No.:** **US D811,642 S**

(45) **Date of Patent:** **** Feb. 27, 2018**

(54) **HIGHBAY LIGHT**

(71) Applicant: **Dongguan Sense Lighting Technology Co., Ltd.**, Dongguan (CN)

(72) Inventor: **Zhihong Liang**, Guangdong Province (CN)

(**) Term: **15 Years**

(21) Appl. No.: **29/565,968**

(22) Filed: **May 25, 2016**

(30) **Foreign Application Priority Data**

Feb. 16, 2016 (CN) 2016 3 0045331

(51) **LOC (11) Cl.** **26-05**

(52) **U.S. Cl.**

USPC **D26/72**

(58) **Field of Classification Search**

USPC D26/72, 80, 83, 85, 88, 89

CPC F21S 8/03; F21S 8/04; F21S 8/043; F21S

8/06; F21S 8/061; F21S 8/063; F21V

21/008; F21V 21/02; F21V 29/2212;

F21V 29/767; F21V 29/77; F21V 29/777;

F21V 29/78

See application file for complete search history.

(56) **References Cited**

U.S. PATENT DOCUMENTS

D627,502 S * 11/2010 Zheng D26/72

D673,320 S * 12/2012 Guercio D26/89

D688,408 S * 8/2013 Wung D26/72
D690,453 S * 9/2013 Guercio D26/72
D748,840 S * 2/2016 Lee D26/2
D784,597 S * 4/2017 Wilson D26/88
2011/0002124 A1* 1/2011 Chang F21V 29/77
362/294
2014/0021884 A1* 1/2014 Fetterly F21V 29/77
315/297
2015/0233569 A1* 8/2015 Xue F21V 29/77
362/373
2017/0146225 A1* 5/2017 Chien F21V 29/77

* cited by examiner

Primary Examiner — Clare E Heflin

(74) *Attorney, Agent, or Firm* — Prakash Nama; Global IP Services, PLLC

(57) **CLAIM**

The ornamental design for the highbay light, as shown.

DESCRIPTION

FIG. 1 is a front elevational view of the highbay light showing my new design;

FIG. 2 is a rear elevational view thereof;

FIG. 3 is a left side view thereof;

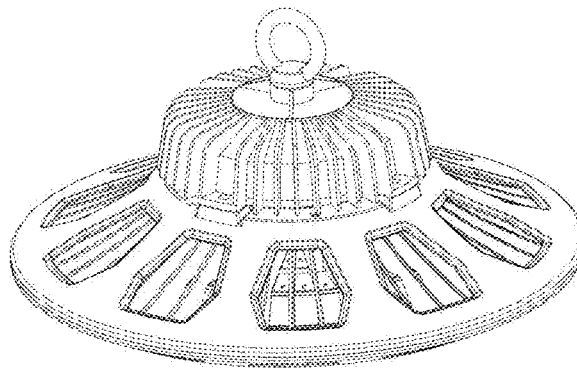
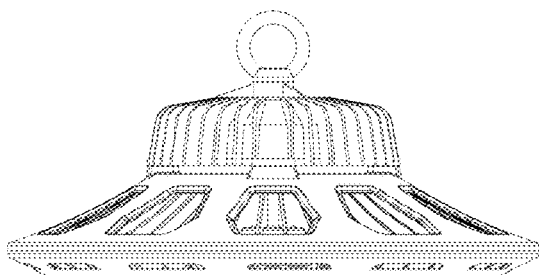
FIG. 4 is a right side view thereof;

FIG. 5 is a top plan view thereof;

FIG. 6 is a bottom plan view thereof; and,

FIG. 7 is a perspective view thereof.

1 Claim, 5 Drawing Sheets



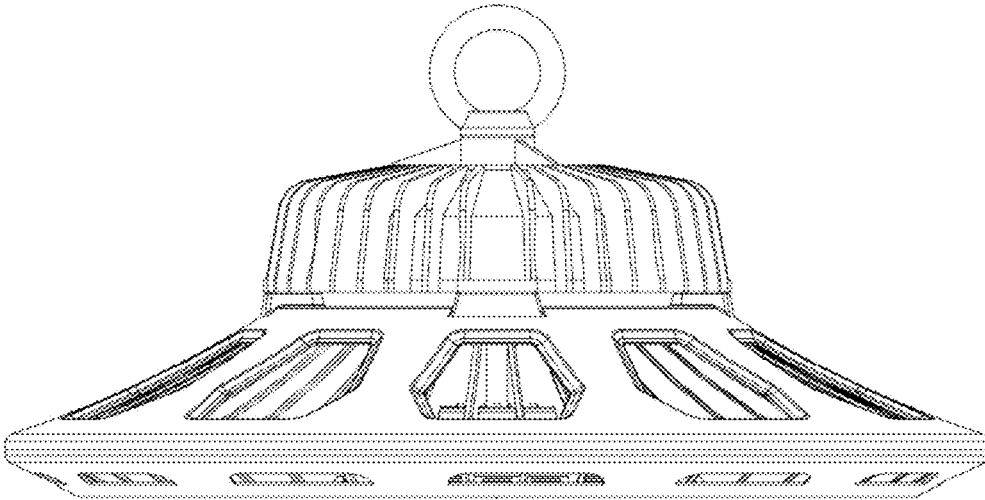


FIG. 1

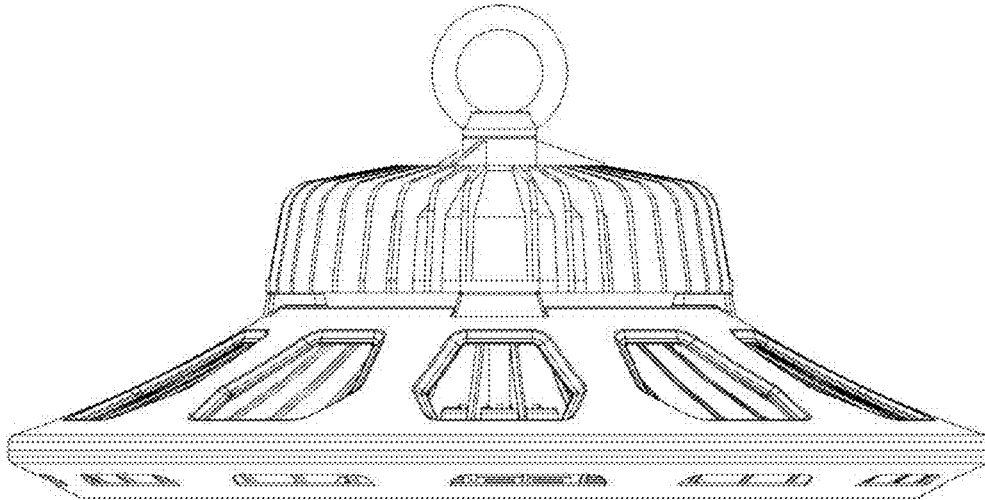


FIG. 2

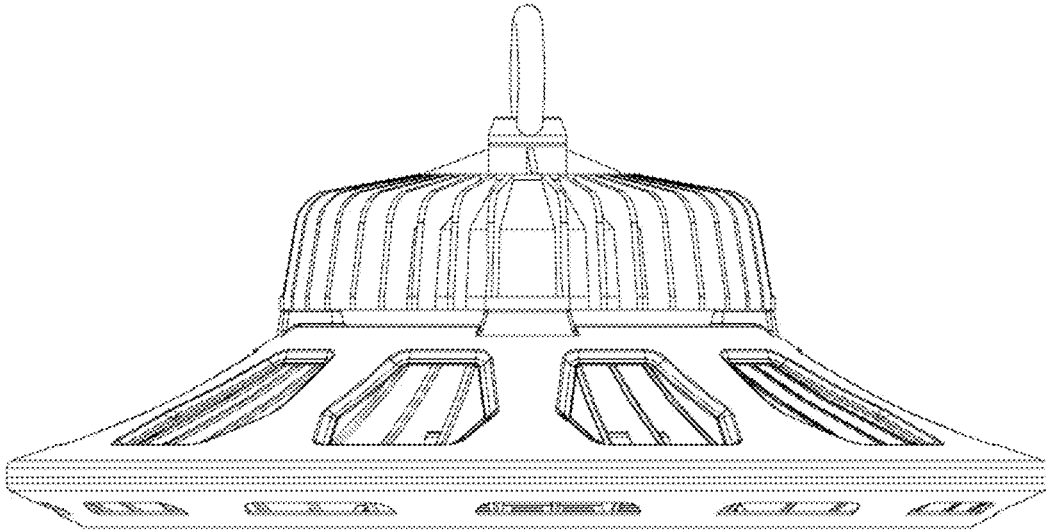


FIG. 3

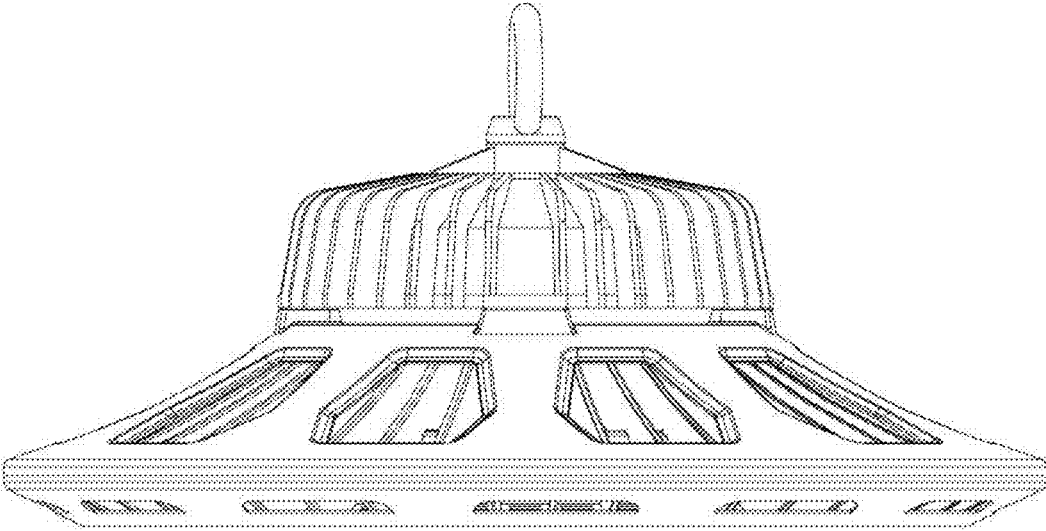


FIG. 4

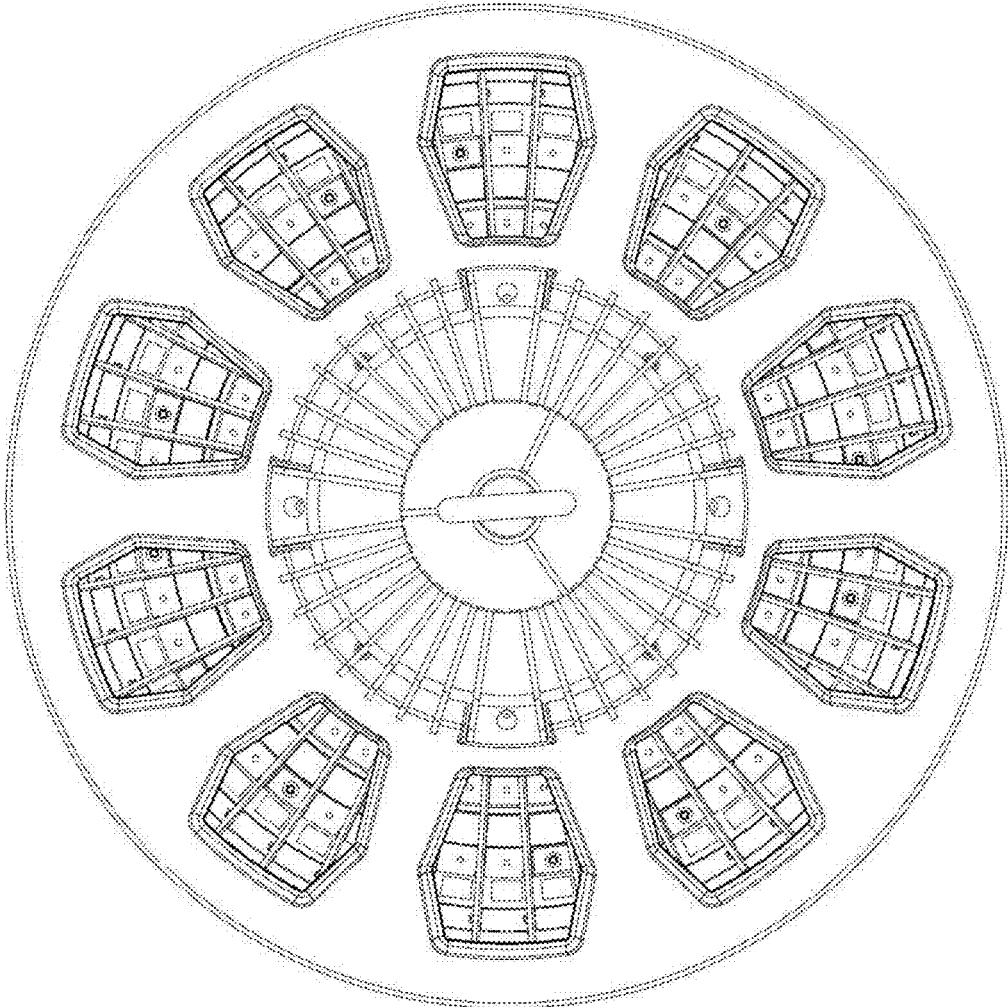


FIG. 5

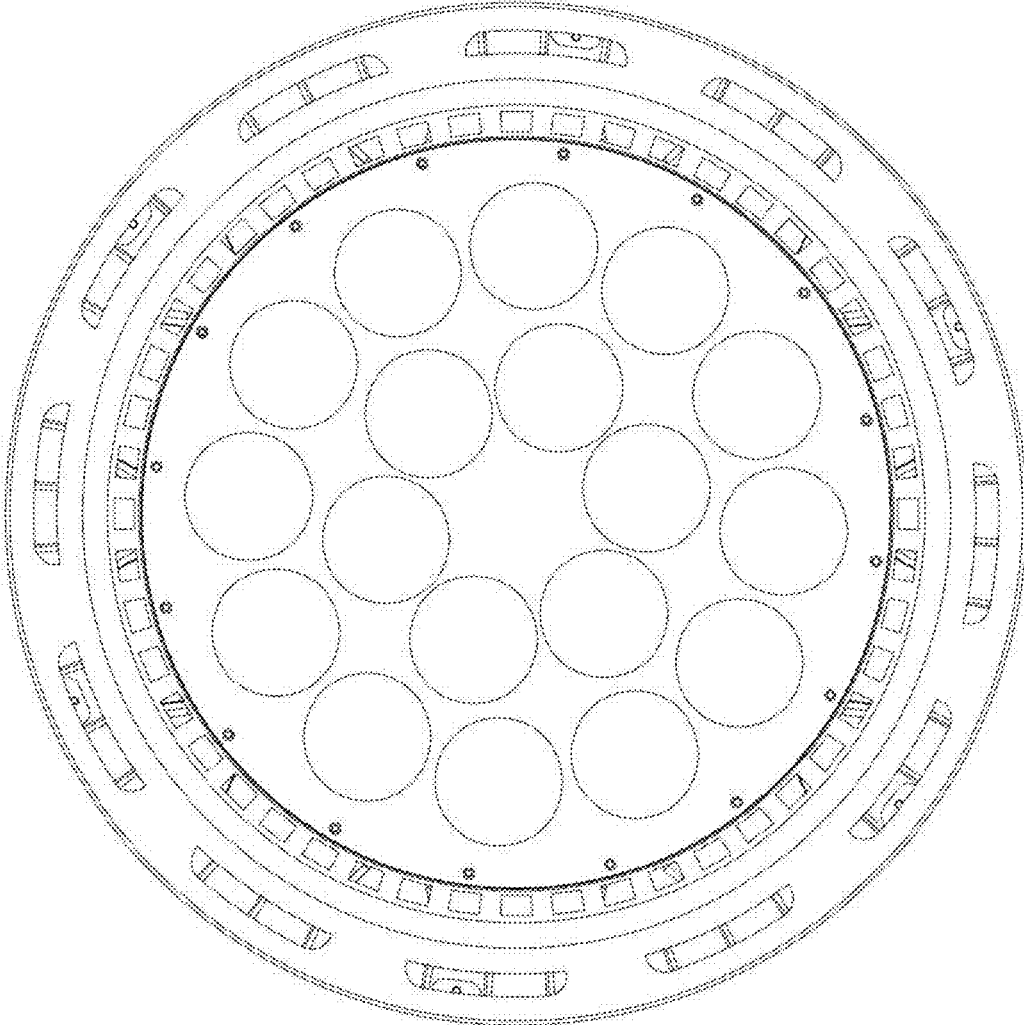


FIG. 6

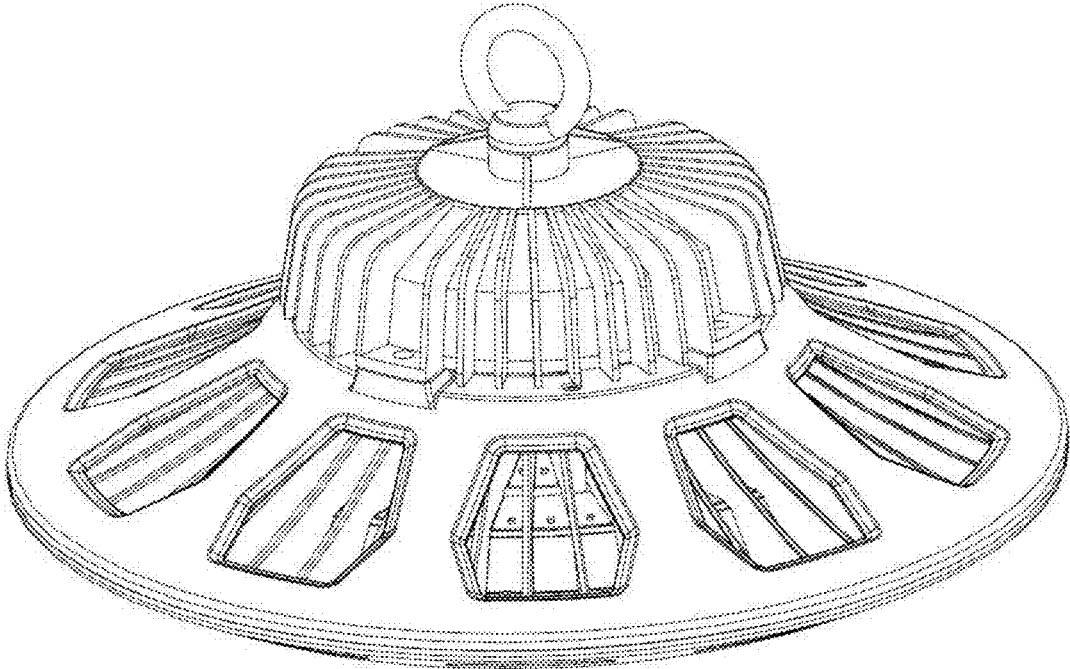


FIG. 7