



US00D628898S

(12) **United States Design Patent**
Barnett et al.

(10) **Patent No.:** **US D628,898 S**

(45) **Date of Patent:** **** Dec. 14, 2010**

(54) **SPRAY NOZZLE**

(75) Inventors: **Seth N. Barnett**, Oceanside, NY (US);
Jocelyn Yuan, Hartsdale, NY (US)

(73) Assignee: **Medtech Products, Inc.**, Irvington, NY (US)

(**) Term: **14 Years**

(21) Appl. No.: **29/356,105**

(22) Filed: **Feb. 19, 2010**

(51) **LOC (9) Cl.** **09-01**

(52) **U.S. Cl.** **D9/682; D9/448**

(58) **Field of Classification Search** D23/213,
D23/225; D9/448, 682, 685; 222/153.11,
222/153.13, 153.14; 239/332, 333

See application file for complete search history.

(56) **References Cited**

U.S. PATENT DOCUMENTS

3,804,296 A	4/1974	Webster	
3,843,030 A	10/1974	Micallef	
3,961,756 A	6/1976	Martini	
3,967,765 A	7/1976	Micallef	
3,994,442 A	11/1976	Hoening	
4,020,982 A	5/1977	Micallef	
4,189,064 A	2/1980	O'Neill et al.	
4,212,332 A	7/1980	Kutik et al.	
4,234,128 A	11/1980	Quinn et al.	
4,247,048 A	1/1981	Hayes	
4,358,057 A	11/1982	Burke	
4,365,751 A	12/1982	Saito et al.	
4,516,695 A	5/1985	Garneau	
4,690,312 A	9/1987	Crapser et al.	
4,706,888 A	11/1987	Dobbs	
4,890,792 A	1/1990	Martin et al.	
D314,916 S *	2/1991	Brooks	D9/448
5,088,628 A	2/1992	Knickerbocker	
5,152,463 A	10/1992	Mao et al.	
D337,945 S *	8/1993	Warner	D9/448
5,234,166 A	8/1993	Foster et al.	
5,261,574 A	11/1993	Jouillat et al.	
5,267,692 A	12/1993	Maas et al.	

5,337,926 A	8/1994	Drobish et al.	
5,368,234 A	11/1994	Foster et al.	
5,411,185 A	5/1995	Drobish	
5,499,766 A	3/1996	Foster et al.	
5,547,132 A	8/1996	Grogan	
5,549,249 A	8/1996	Foster et al.	
5,590,837 A	1/1997	Grogan	
5,593,094 A	1/1997	Barriac et al.	
5,628,461 A	5/1997	Foster et al.	
5,738,282 A	4/1998	Grogan	
5,755,384 A	5/1998	Foster et al.	
D416,489 S *	11/1999	Sayers	D9/448

(Continued)

Primary Examiner—Robin V Webster

(74) *Attorney, Agent, or Firm*—Alston & Bird LLP

(57) **CLAIM**

The ornamental design for a spray nozzle, as shown and described.

DESCRIPTION

FIG. 1 is a perspective view of a spray nozzle according to our new design;

FIG. 2 is a front elevation view thereof;

FIG. 3 is a rear elevation view thereof;

FIG. 4 is a left side elevation view thereof, the right side elevation view being a mirror image;

FIG. 5 is a top plan view thereof;

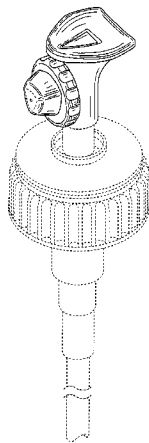
FIG. 6 is a bottom plan view thereof;

FIG. 7 is a reduced perspective view thereof, shown with a bottle; and,

FIG. 8 is a reduced exploded perspective view thereof, shown with a bottle and a cap.

The broken lines immediately adjacent shaded areas represent bounds of the claimed design and environment while all other broken lines are directed to environment and are for illustrative purposes only. The broken lines form no part of the claimed design.

1 Claim, 7 Drawing Sheets



US D628,898 S

Page 2

U.S. PATENT DOCUMENTS

6,006,950	A *	12/1999	Watanabe et al.	222/153.13	D569,726	S *	5/2008	Hildebrand	D9/448
6,446,882	B1	9/2002	Dukes et al.		7,384,006	B2	6/2008	Hornsby et al.	
6,752,296	B1 *	6/2004	Sweeton et al.	222/383.1	D587,576	S *	3/2009	Miller et al.	D9/448
6,997,397	B1	2/2006	Keung et al.		7,562,834	B2	7/2009	Hornsby et al.	
D519,371	S	4/2006	Hornsby et al.		7,568,637	B2	8/2009	Hornsby et al.	
7,097,119	B2	8/2006	Hornsby et al.		7,588,198	B2	9/2009	Hornsby et al.	
7,246,755	B2	7/2007	Hornsby et al.		2007/0272765	A1	11/2007	Kwasny	
7,328,859	B2	2/2008	Hornsby et al.		2009/0032618	A1	2/2009	Hornsby et al.	
7,354,008	B2	4/2008	Hester et al.		2009/0159723	A1	6/2009	Hornsby et al.	

* cited by examiner

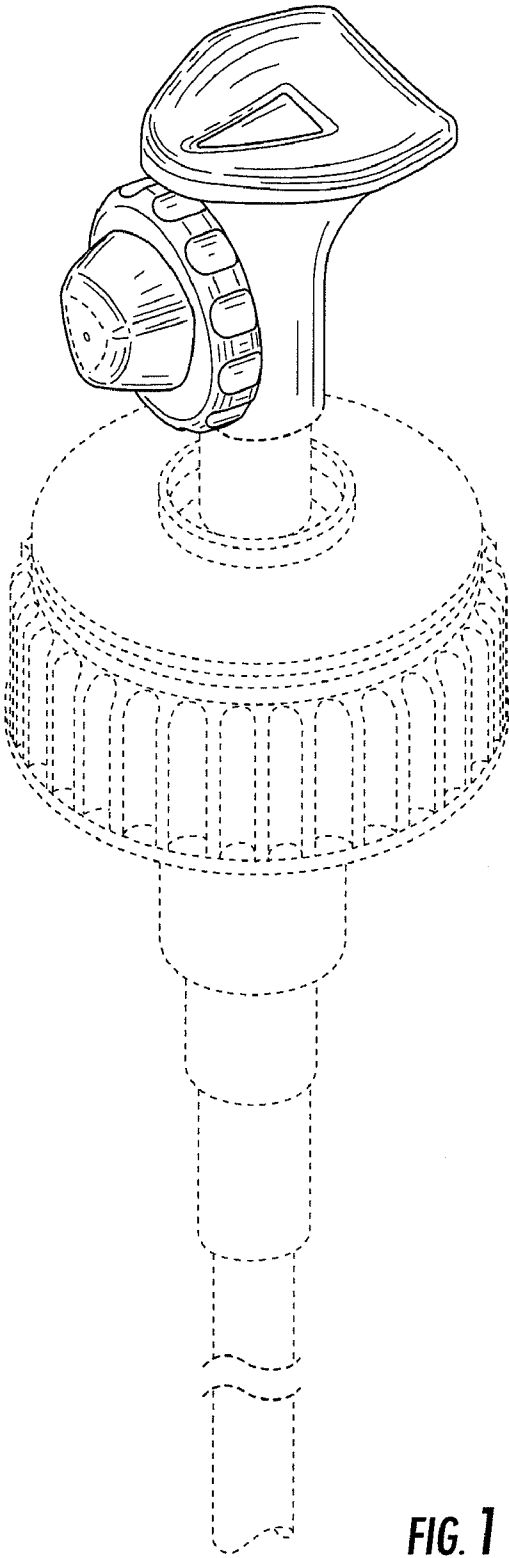


FIG. 1

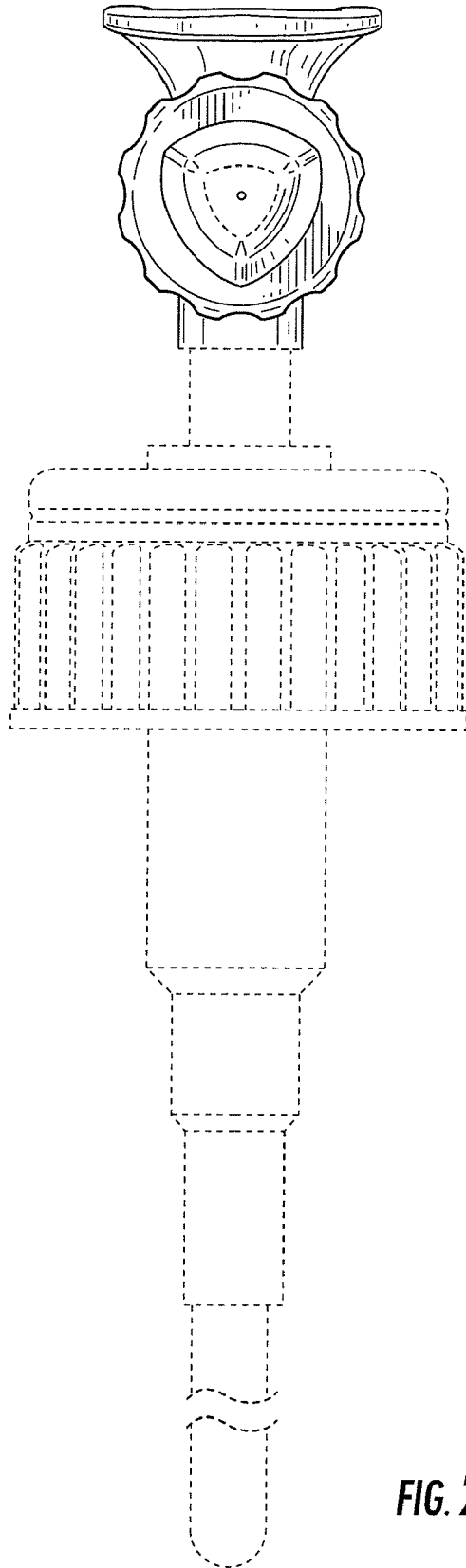


FIG. 2

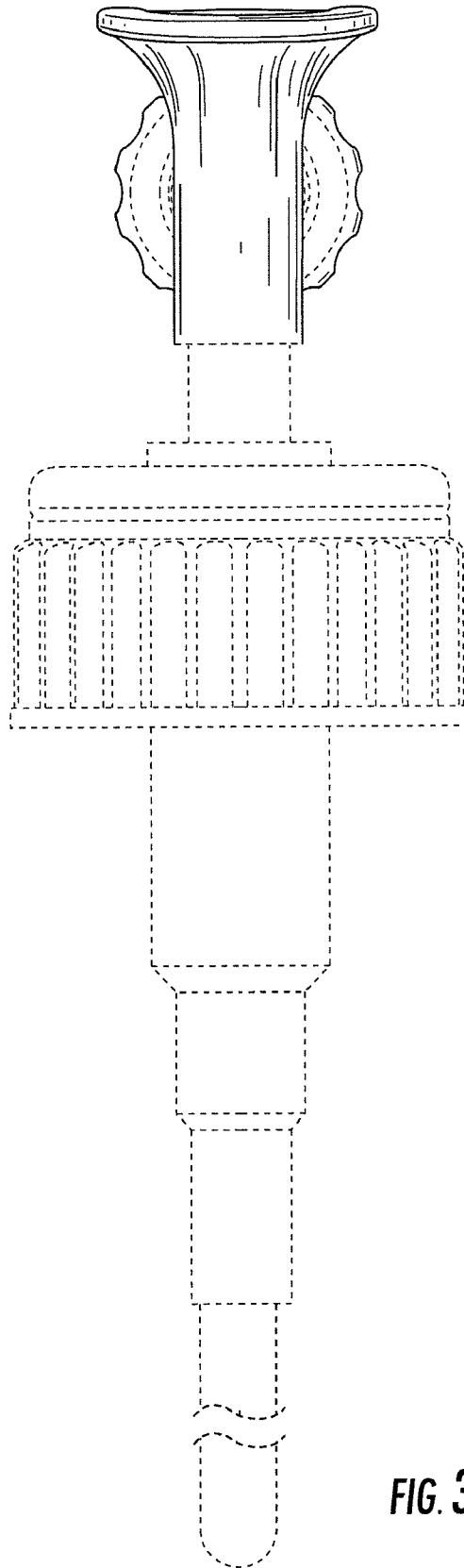


FIG. 3

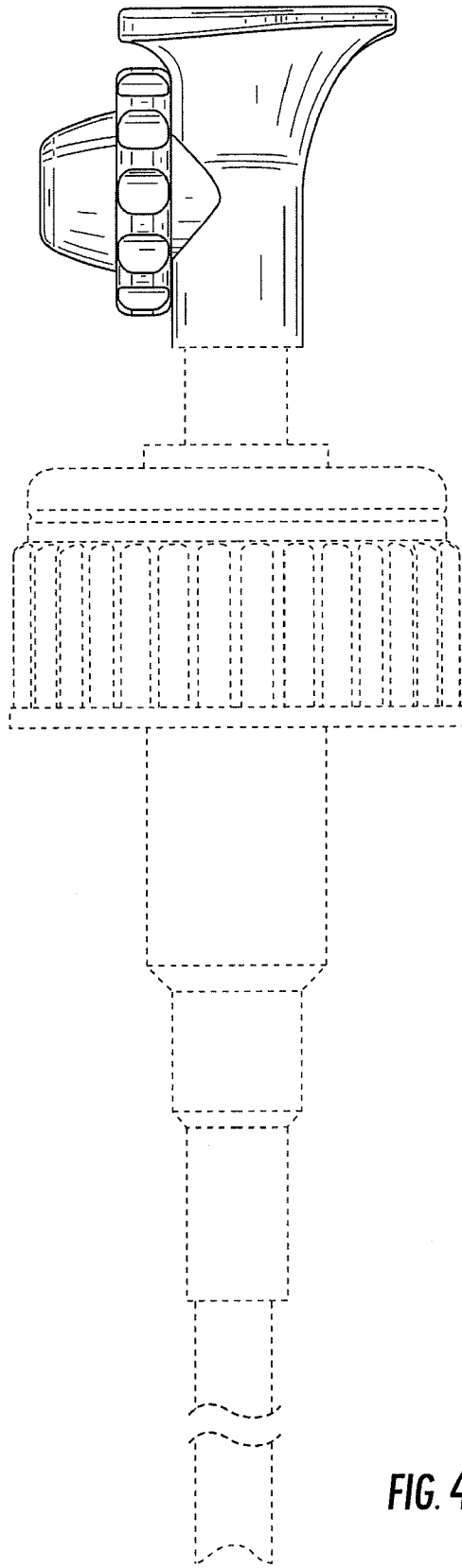


FIG. 4

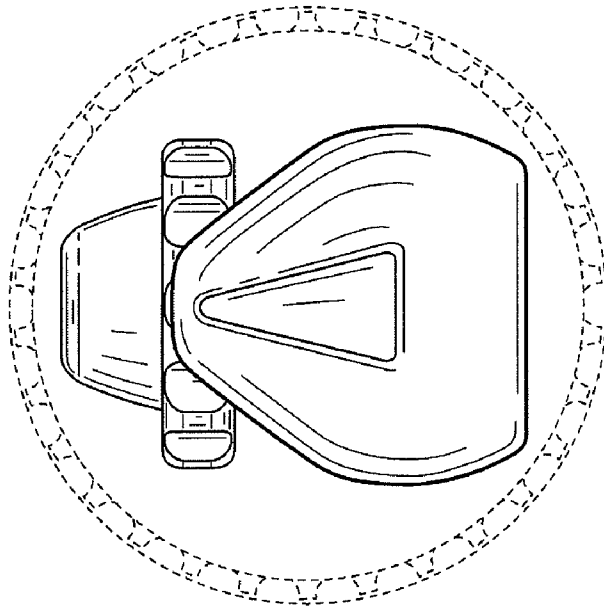


FIG. 5

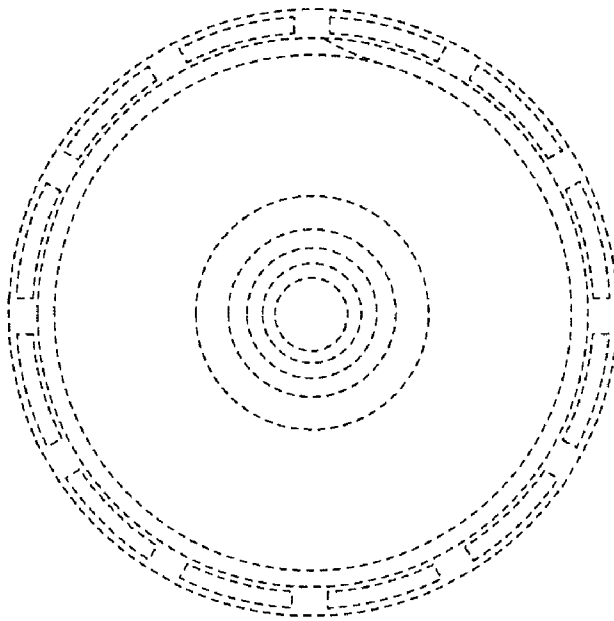


FIG. 6

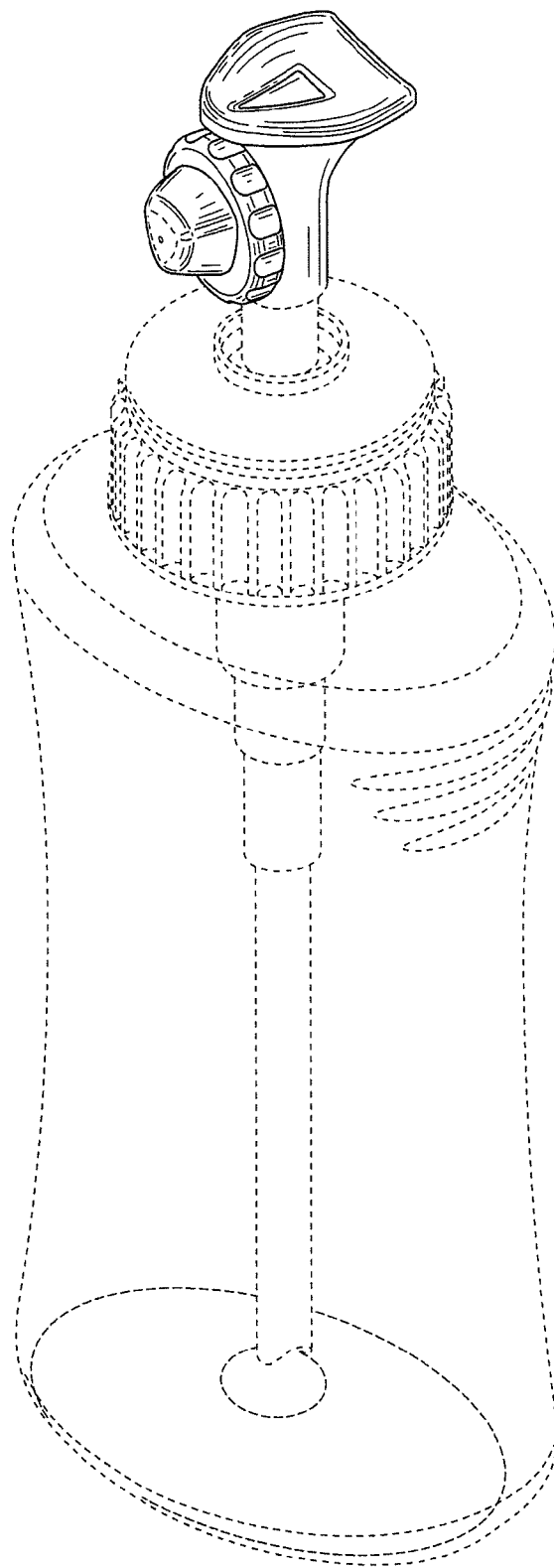


FIG. 7

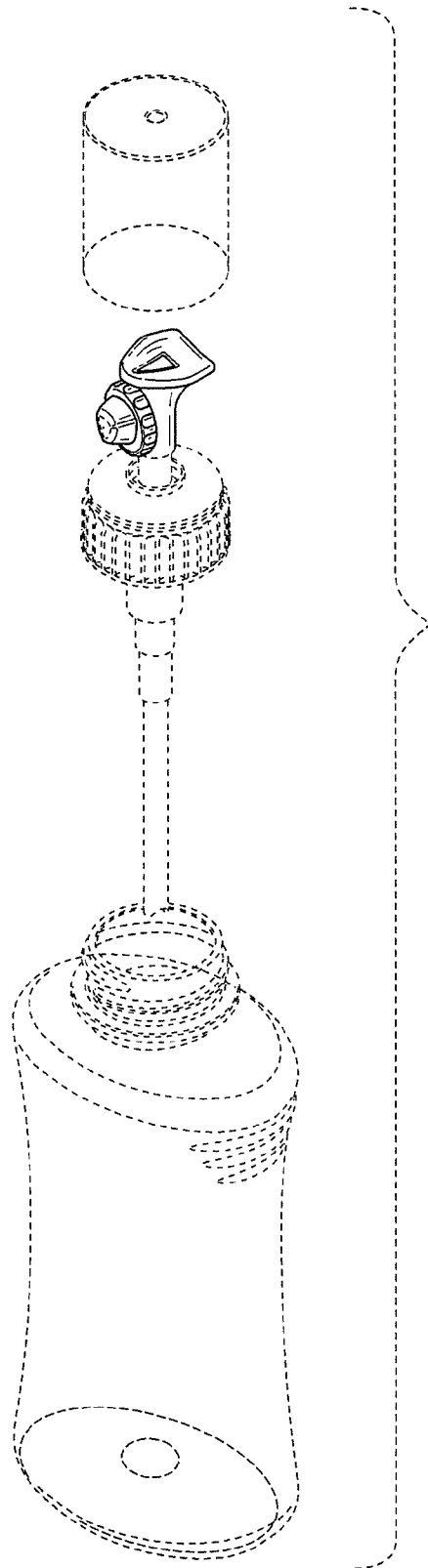


FIG. 8