



US00D460739S

(12) **United States Design Patent**
Fox

(10) **Patent No.:** **US D460,739 S**

(45) **Date of Patent:** **** Jul. 23, 2002**

(54) **KNURLED SLEEVE FOR CO-AXIAL CABLE CONNECTOR IN CLOSED POSITION**

D440,939 S * 4/2001 Montena D13/133

(75) Inventor: **Michael Fox**, Syracuse, NY (US)

(73) Assignee: **John Mezzalingua Associates, Inc.**, East Syracuse, NY (US)

(**) Term: **14 Years**

(21) Appl. No.: **29/151,638**

(22) Filed: **Dec. 6, 2001**

(51) **LOC (7) Cl.** **13-03**

(52) **U.S. Cl.** **D13/154**

(58) **Field of Search** D13/133, 149, D13/151, 154; 439/578, 583, 584, 585

(56) **References Cited**

U.S. PATENT DOCUMENTS

D223,109 S	*	3/1972	Murphy	D13/133
D277,583 S	*	2/1985	Kono	D13/133
4,579,418 A	*	4/1986	Parchet et al.	D13/133 X
D328,279 S	*	7/1992	Couto et al.	D13/133
D436,076 S	*	1/2001	Montena	D13/133
D437,826 S	*	2/2001	Montena	D13/133
D440,539 S	*	4/2001	Montena	D13/133

OTHER PUBLICATIONS

BNC Adapter (Female-Female) C4195B, Global Computer Supplies Catalog, Dec. 1993, p. 128.*

* cited by examiner

Primary Examiner—Robert M. Spear

(74) *Attorney, Agent, or Firm*—George R. McGuire; Hancock & Estabrook, LLP

(57) **CLAIM**

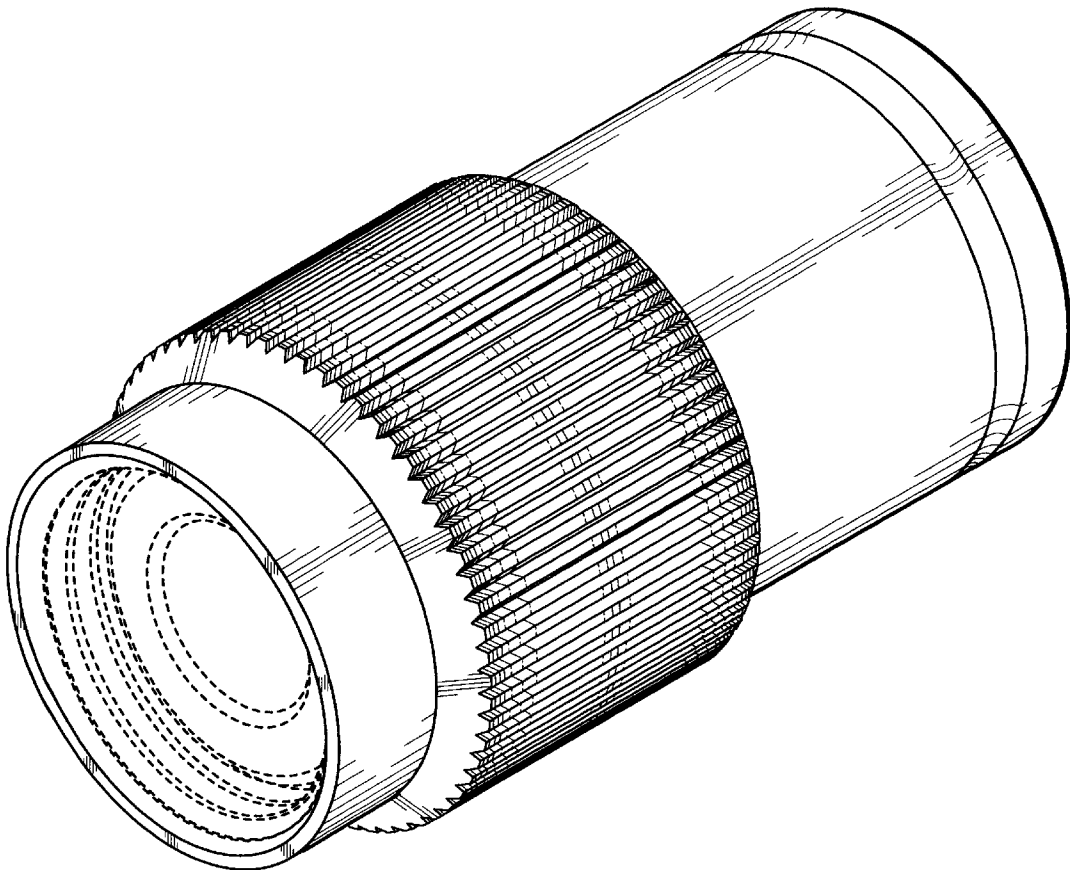
The ornamental design for a knurled sleeve for co-axial cable connector in closed position, as shown and described.

DESCRIPTION

FIG. 1 is a perspective view of a knurled sleeve for co-axial cable connector in closed position showing my new design; FIG. 2 is a side elevational view thereof all other sides, top and bottom plan views being identical thereto; FIG. 3 is a nut view thereof; and, FIG. 4 is a cable end view thereof.

The broken lines in the drawings depict environmental structure, which forms no part of the claimed design.

1 Claim, 3 Drawing Sheets



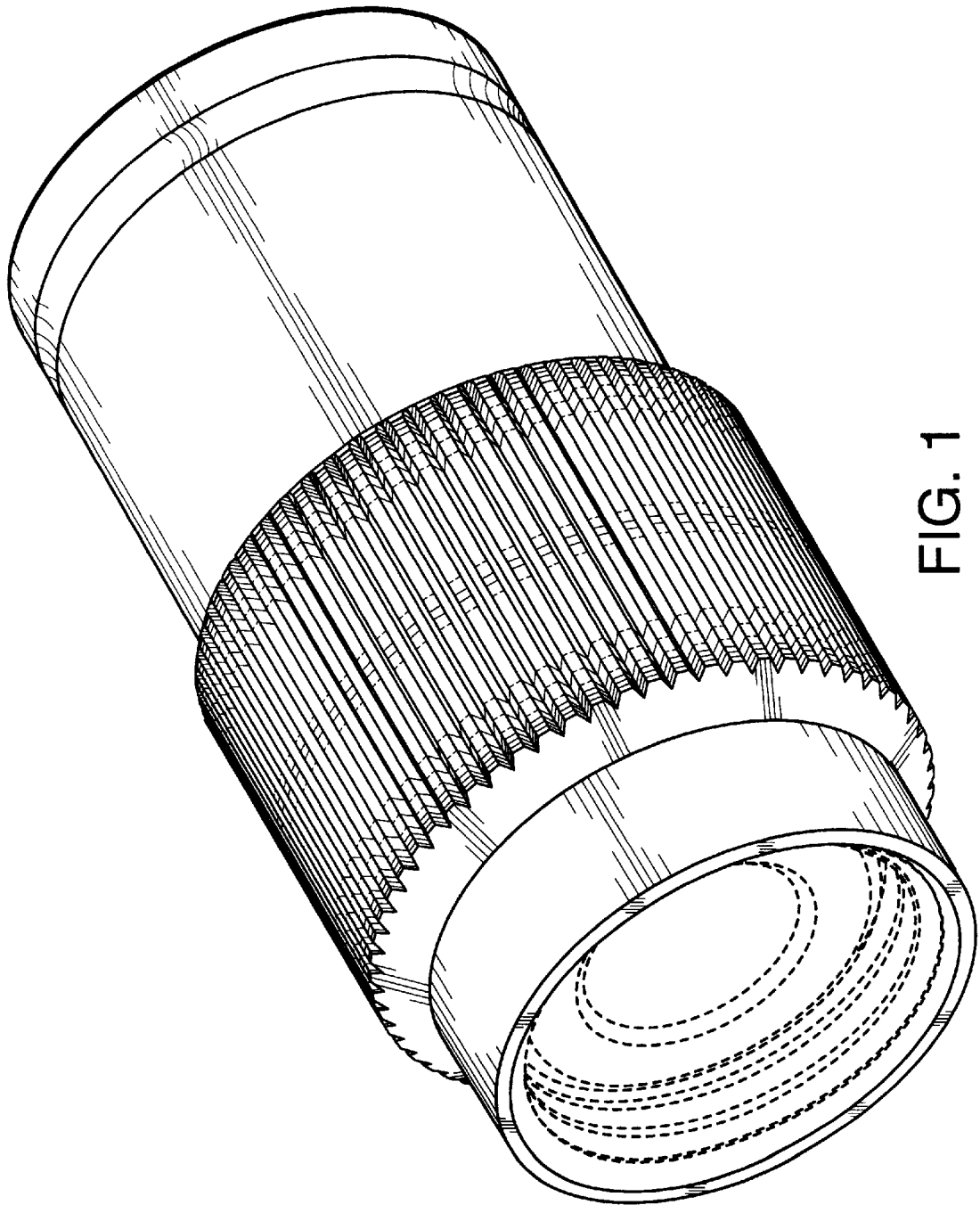


FIG. 1

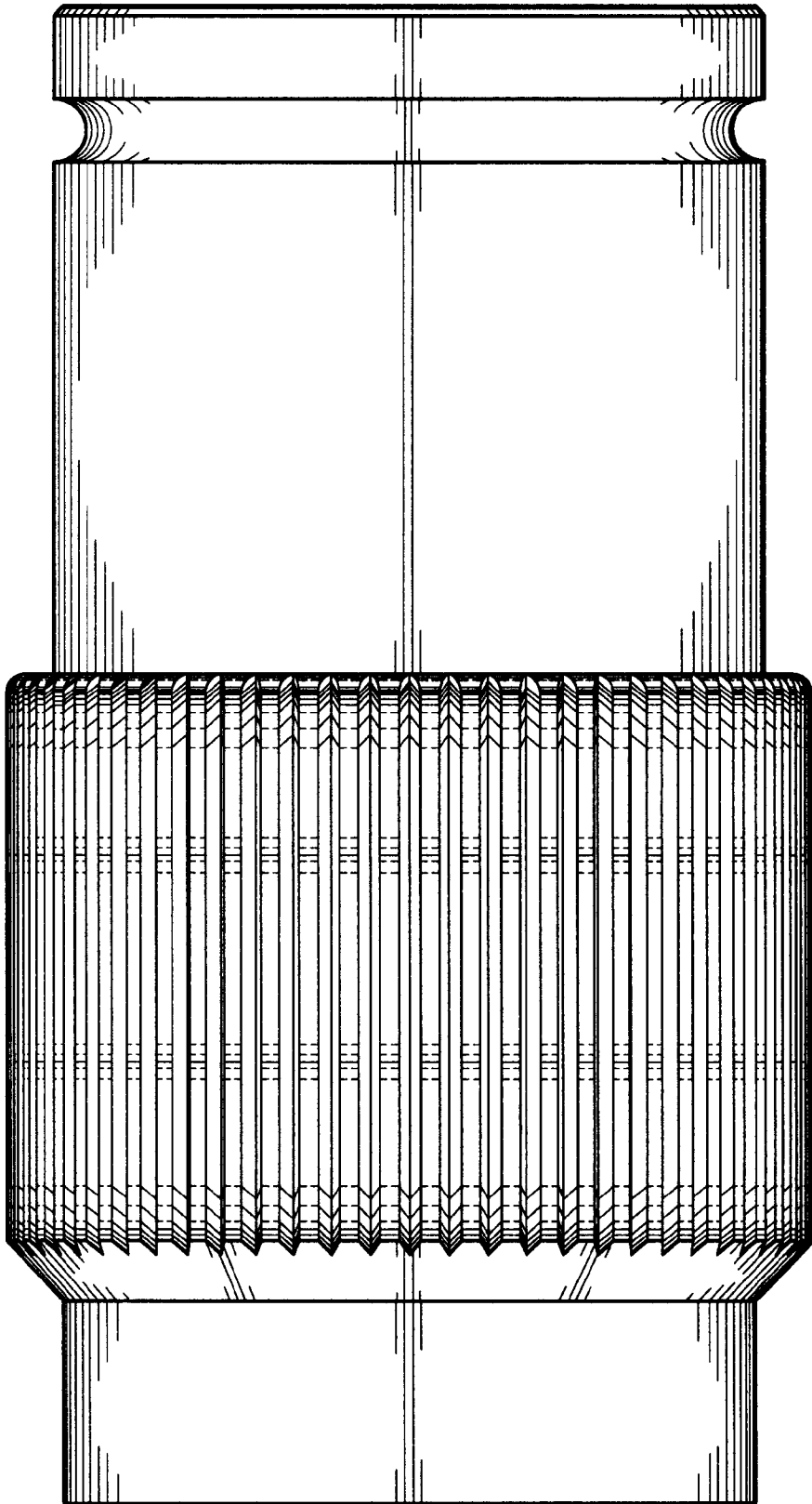


FIG. 2

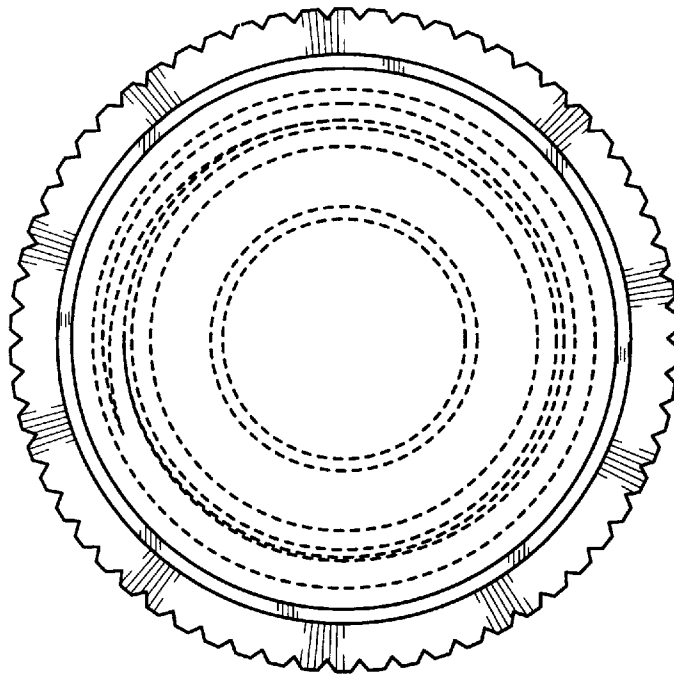


FIG. 3

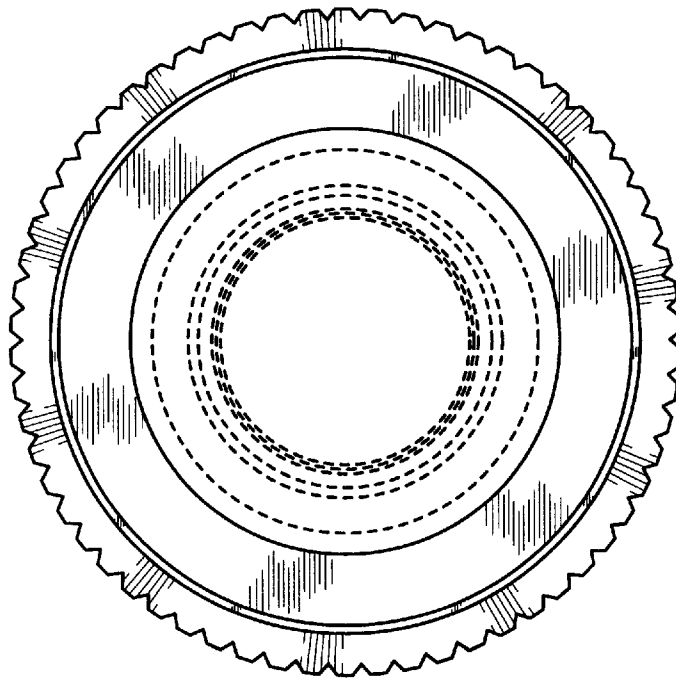


FIG. 4