



US00D747126S

(12) **United States Design Patent**  
**Letinic et al.**

(10) **Patent No.:** **US D747,126 S**  
(45) **Date of Patent:** **\*\* Jan. 12, 2016**

(54) **DISPLAY TAB AND A TAB ACCUMULATION RING**

(71) Applicant: **Mohawk Carpet Distribution, Inc.**,  
Calhoun, GA (US)

(72) Inventors: **Ivan Letinic**, Manalapan, NJ (US);  
**Jacob Donadee**, Philadelphia, PA (US);  
**Owen McCormick**, Philadelphia, PA (US)

(73) Assignee: **Mohawk Carpet Distribution, Inc.**,  
Calhoun, GA (US)

(\*\*) Term: **14 Years**

(21) Appl. No.: **29/502,797**

(22) Filed: **Sep. 19, 2014**

(51) **LOC (10) Cl.** ..... **06-06**

(52) **U.S. Cl.**  
USPC ..... **D6/680.2**

(58) **Field of Classification Search**  
USPC ..... D6/315-328, 678, 678.02, 679; D8/373  
CPC .... A47G 25/743; A47G 25/1457; A47F 7/08;  
A47F 7/19  
See application file for complete search history.

(56) **References Cited**

U.S. PATENT DOCUMENTS

D243,991 S	*	4/1977	Schmidt, Jr.	.....	D6/327
D261,867 S	*	11/1981	Hasegawa	.....	D9/438
D264,815 S	*	6/1982	Lincoln	.....	D9/415
D283,273 S	*	4/1986	Rhyne	.....	D6/327
D321,288 S	*	11/1991	Nichol, Jr.	.....	D6/315
D324,354 S	*	3/1992	Oya	.....	D11/221
D330,157 S	*	10/1992	Peters	.....	D6/315

D331,425 S	*	12/1992	Rhyne	.....	D20/42
D337,338 S	*	7/1993	Chang	.....	D3/266
D366,010 S	*	1/1996	Yuuki	.....	D11/221
D366,230 S	*	1/1996	Aoki	.....	D11/221
D440,873 S	*	4/2001	Van Horn	.....	D9/415
D507,417 S	*	7/2005	Franzone, Jr.	.....	D6/317
D557,634 S	*	12/2007	Ohgaku	.....	D11/221
D559,733 S	*	1/2008	Yamamoto	.....	D11/221
D563,829 S	*	3/2008	Lobel	.....	D11/221
D575,190 S	*	8/2008	Keyaki	.....	D11/221
D608,244 S	*	1/2010	Lobel	.....	D11/221
D624,807 S	*	10/2010	Barrese	.....	D8/373
D624,808 S	*	10/2010	Krawczak	.....	D8/373
D629,716 S	*	12/2010	Fujita	.....	D11/221
D631,732 S	*	2/2011	Krawczak	.....	D8/373
D671,449 S	*	11/2012	Miyazaki	.....	D11/221
D674,318 S	*	1/2013	Chuan	.....	D11/221
D703,750 S	*	4/2014	Tsai	.....	D19/99
D708,861 S	*	7/2014	Doenges	.....	D6/315

\* cited by examiner

*Primary Examiner* — Kelley Donnelly

(74) *Attorney, Agent, or Firm* — Alston & Bird LLP

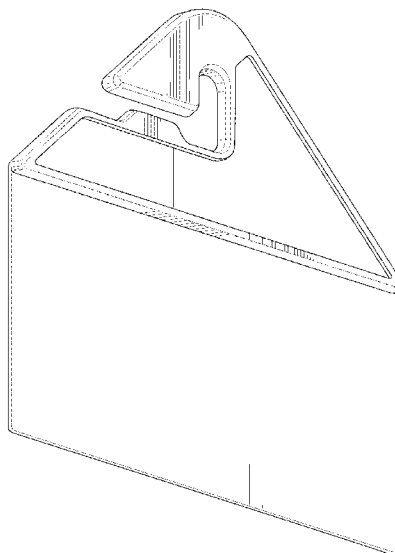
(57) **CLAIM**

The ornamental design for a display tab and a tab accumulation ring, as shown and described.

**DESCRIPTION**

FIG. 1 is a perspective view of a tab according to our invention;  
FIG. 2 is a front plan view of the tab of FIG. 1;  
FIG. 3 is a rear plan view of the tab of FIG. 1;  
FIG. 4 is a left side view of the tab of FIG. 1;  
FIG. 5 is a right side view of the tab of FIG. 1;  
FIG. 6 is a top plan view the tab of FIG. 1; and,  
FIG. 7 is a bottom plan view the tab of FIG. 1.

**1 Claim, 5 Drawing Sheets**



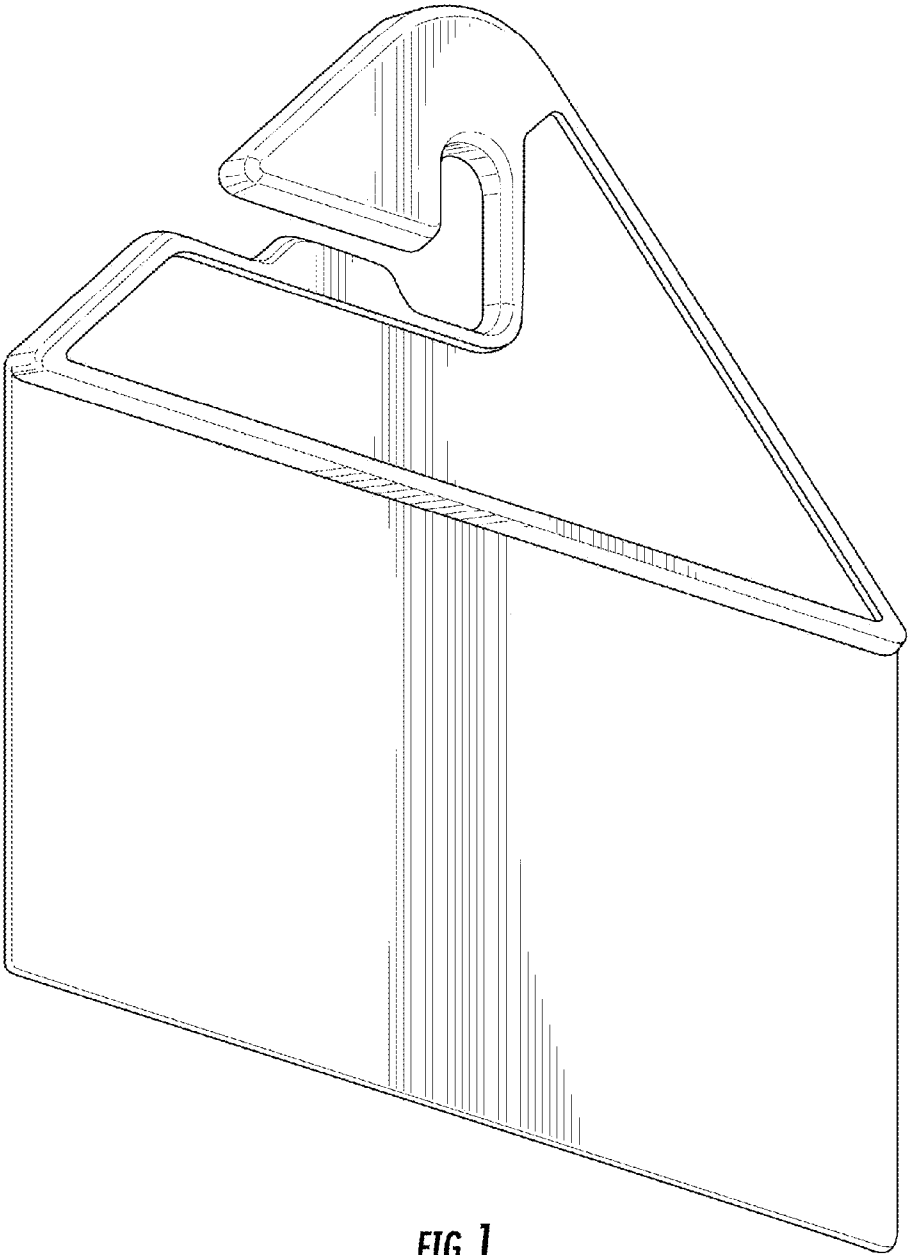


FIG. 1

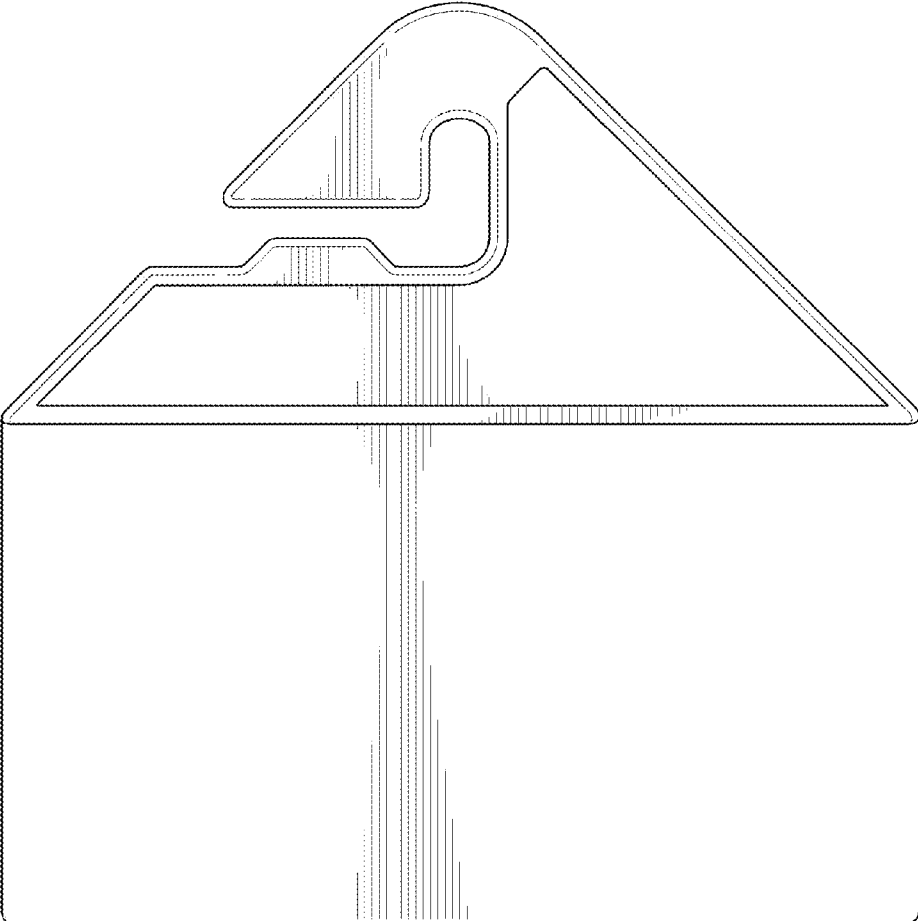
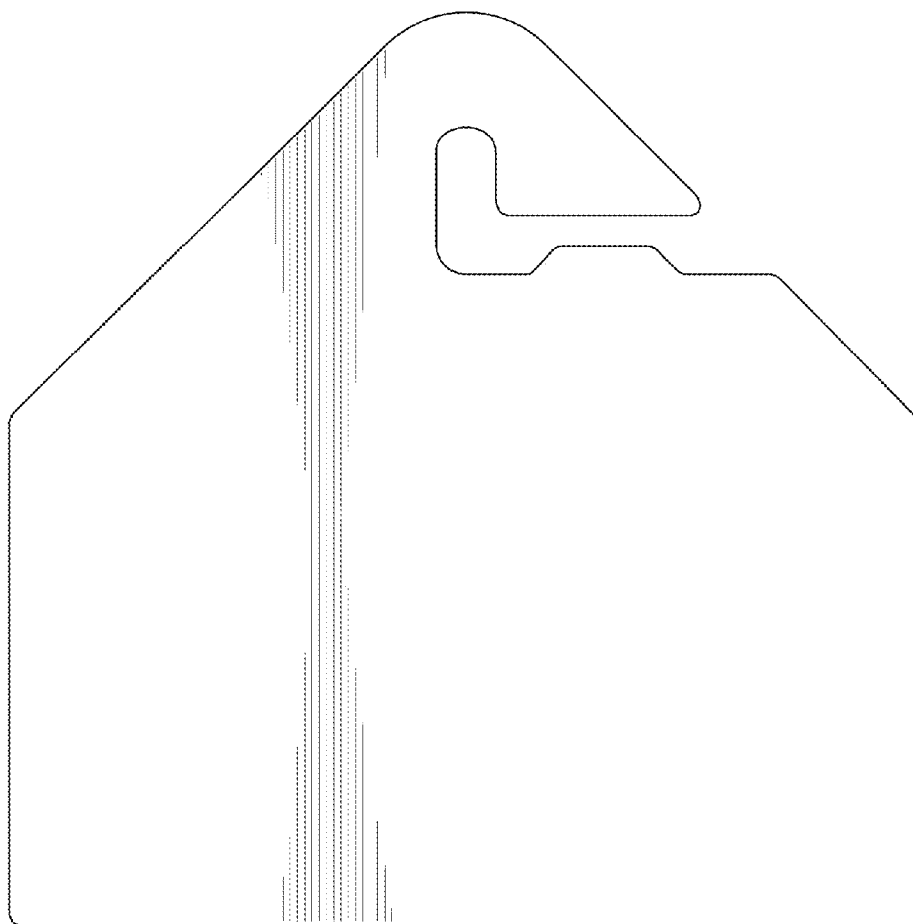


FIG. 2



**FIG. 3**



FIG. 4

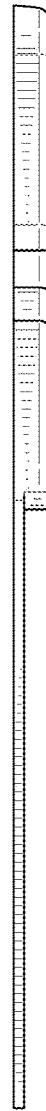
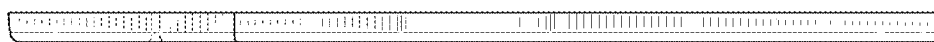


FIG. 5



**FIG. 6**



**FIG. 7**