



US00D892328S

(12) **United States Design Patent** (10) **Patent No.:** **US D892,328 S**
Guo (45) **Date of Patent:** **** Aug. 4, 2020**

(54) **INTRA-CARDIAC IMPLANT**
(71) Applicant: **Chengjun Guo**, Beijing (CN)
(72) Inventor: **Chengjun Guo**, Beijing (CN)
(73) Assignee: **Chengjun Guo**, Beijing (CN)
(**) Term: **15 Years**

9,682,239 B2 * 6/2017 Koop A61N 1/0573
10,124,178 B2 * 11/2018 Oron A61N 1/375
10,449,354 B2 * 10/2019 Demmer A61N 1/3622
10,449,366 B2 * 10/2019 Splett A61N 1/3756
2013/0110219 A1 * 5/2013 Bornzin A61N 1/3756
607/127
2013/0325081 A1 * 12/2013 Karst A61N 1/36592
607/25
2019/0255318 A1 * 8/2019 Guo A61N 1/057

(21) Appl. No.: **29/648,053**
(22) Filed: **May 17, 2018**

FOREIGN PATENT DOCUMENTS

CN 107233665 10/2017

* cited by examiner

(30) **Foreign Application Priority Data**

Feb. 26, 2018 (CN) 2018 1 0158832

(51) **LOC (12) Cl.** **24-03**

(52) **U.S. Cl.**
USPC **D24/155**

(58) **Field of Classification Search**
USPC D24/155
CPC A61N 1/05; A61F 2/07; A61F 2/90; A61F
2/958; A61F 2002/016; A61F 2002/072;
A61F 2002/075; A61F 2002/91541; A61F
2220/0075; A61F 2230/0069
See application file for complete search history.

Primary Examiner — Charles D Hanson

(74) *Attorney, Agent, or Firm* — Treasure IP Group, LLC

(57) **CLAIM**

The ornamental design for an intra-cardiac implant, as shown and described.

DESCRIPTION

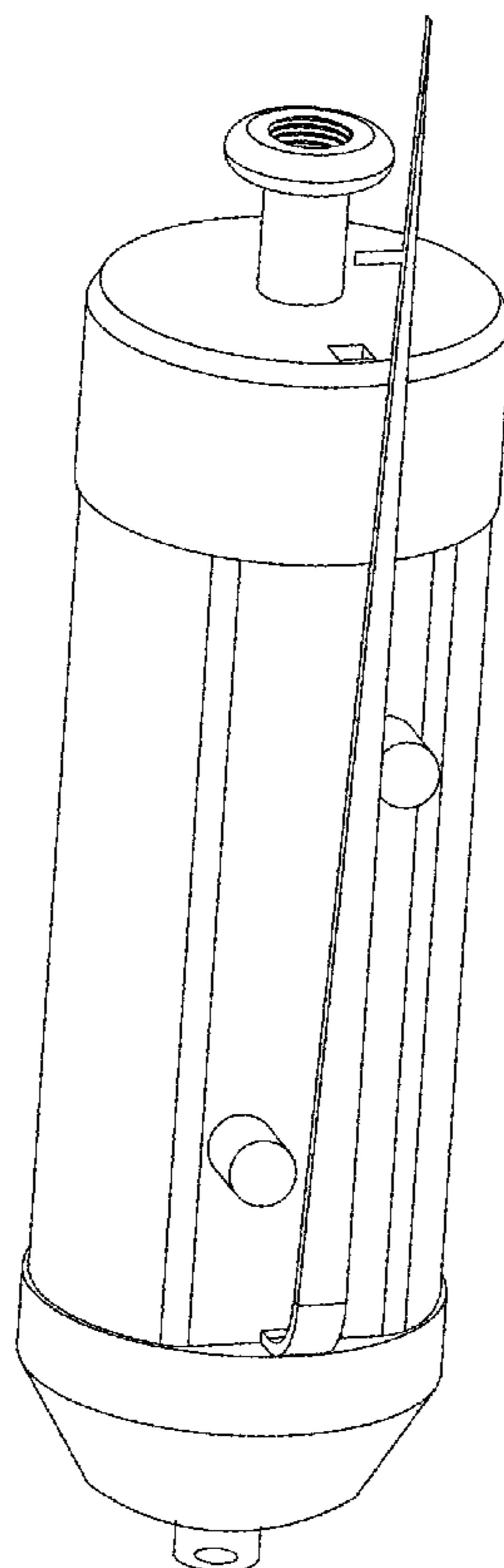
FIG. 1 is a perspective view of a showing my new design;
FIG. 2 is a front view thereof;
FIG. 3 is a rear view thereof;
FIG. 4 is a left side view thereof;
FIG. 5 is a right side view thereof;
FIG. 6 is a top view thereof; and,
FIG. 7 is a bottom view thereof.

(56) **References Cited**

U.S. PATENT DOCUMENTS

9,526,891 B2 * 12/2016 Eggen A61N 1/3756
9,539,423 B2 * 1/2017 Bonner A61N 1/37205

1 Claim, 7 Drawing Sheets



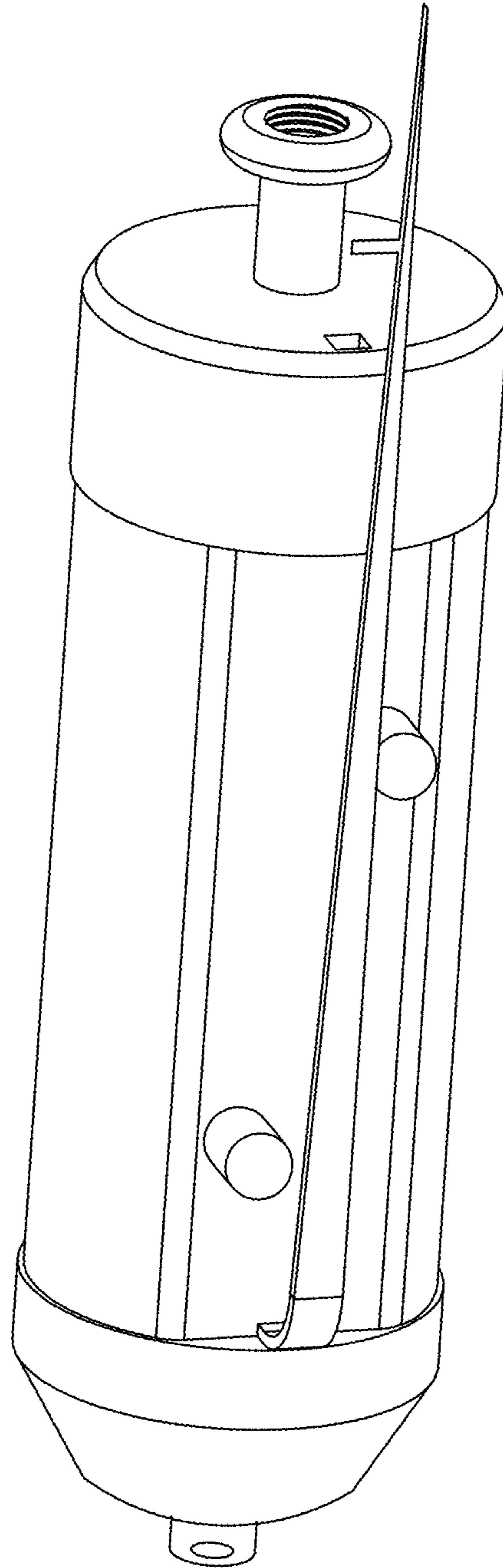


FIG. 1

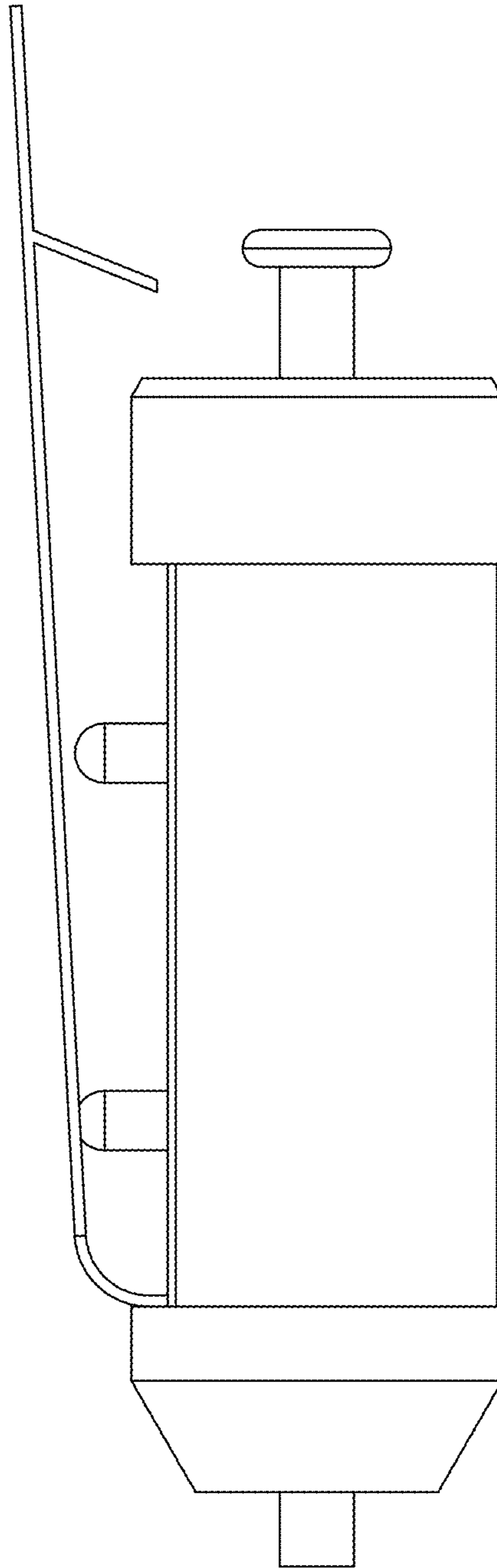


FIG. 2

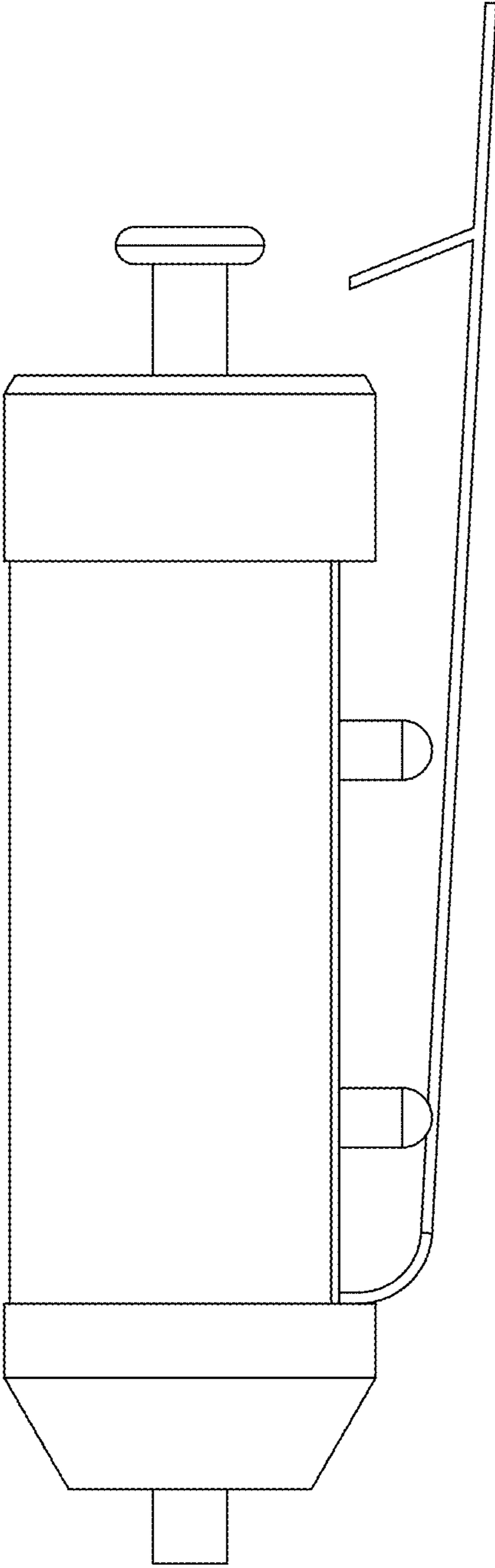


Fig. 3

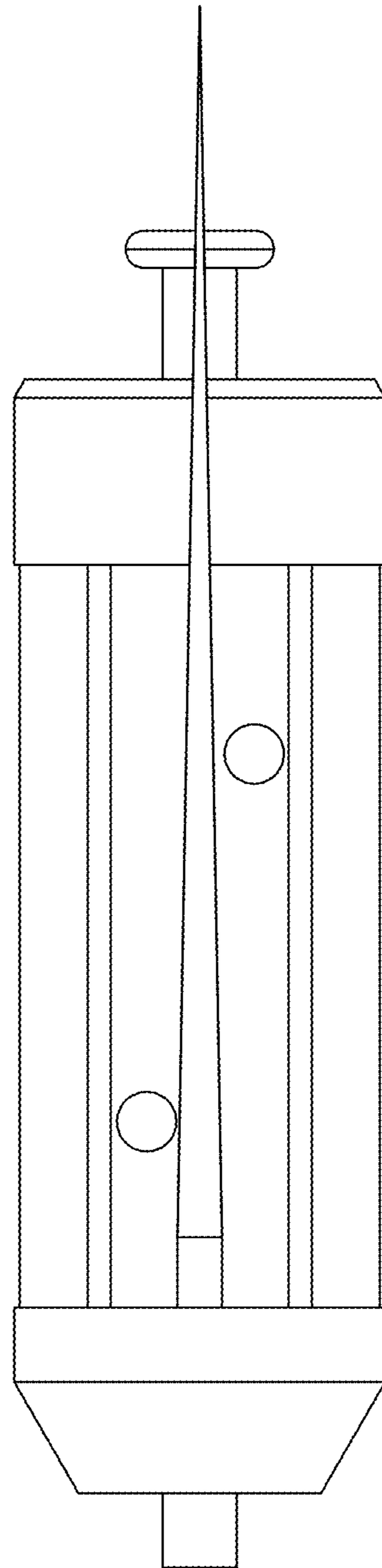


Fig. 4

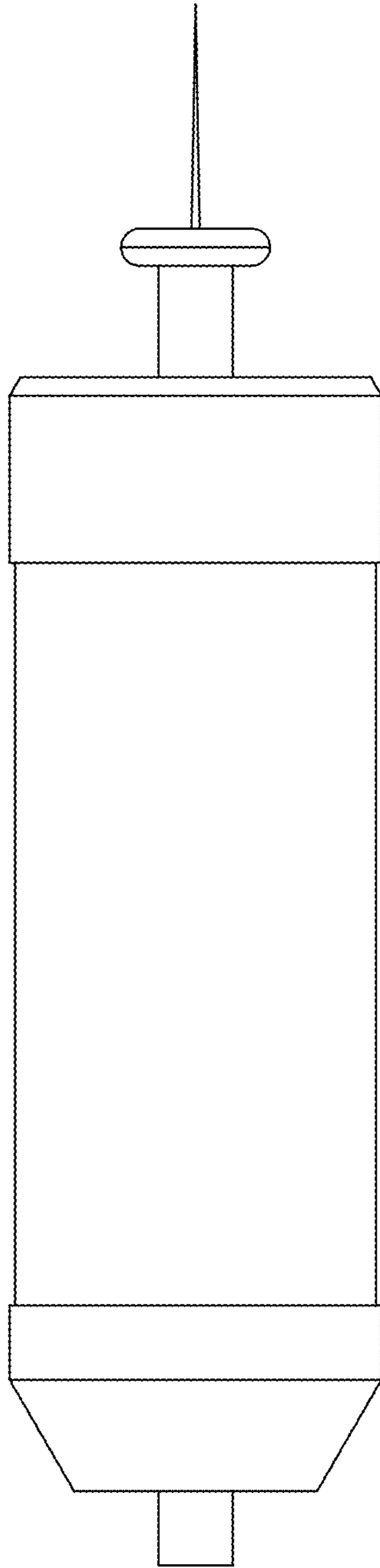


Fig. 5

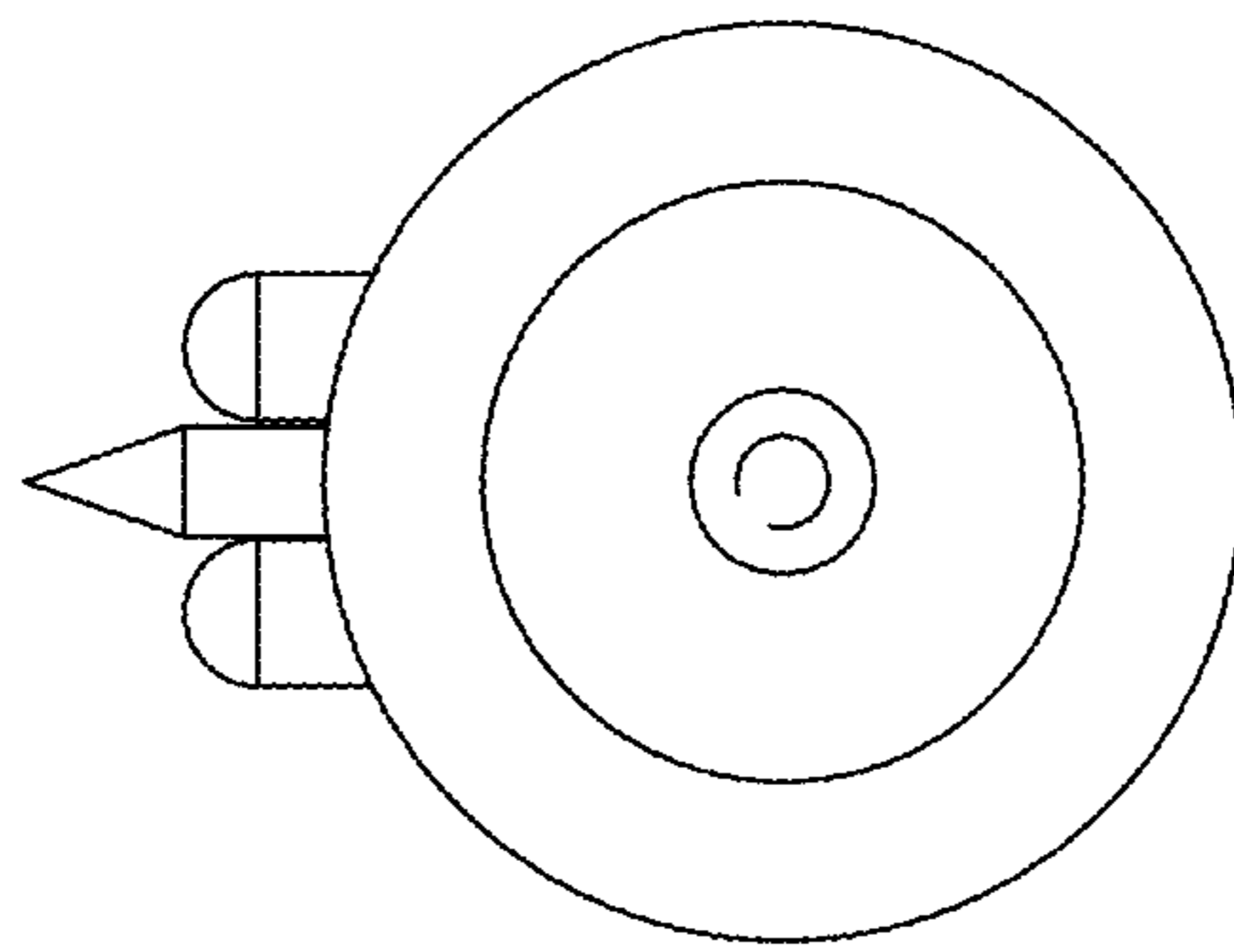


Fig. 6

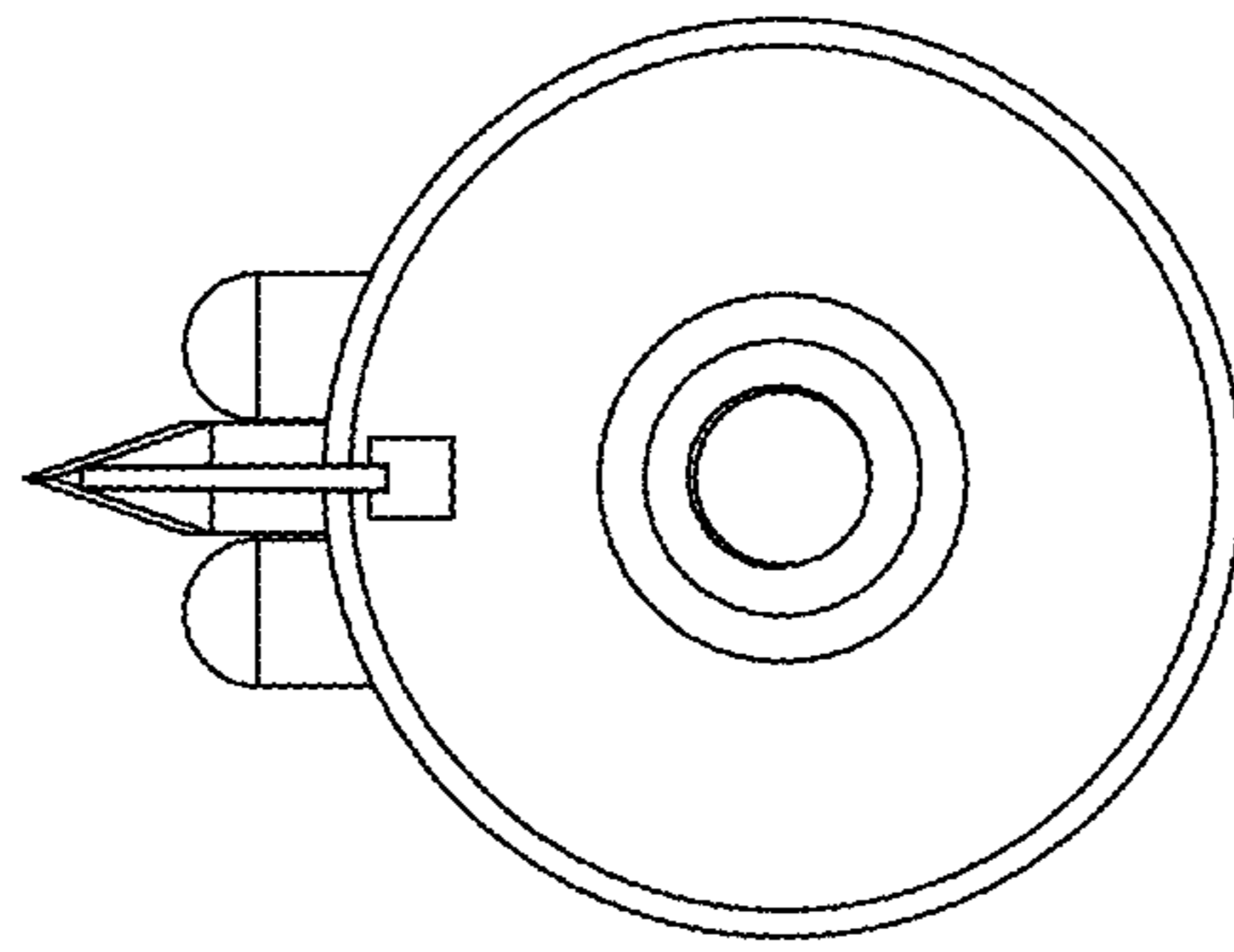


Fig. 7