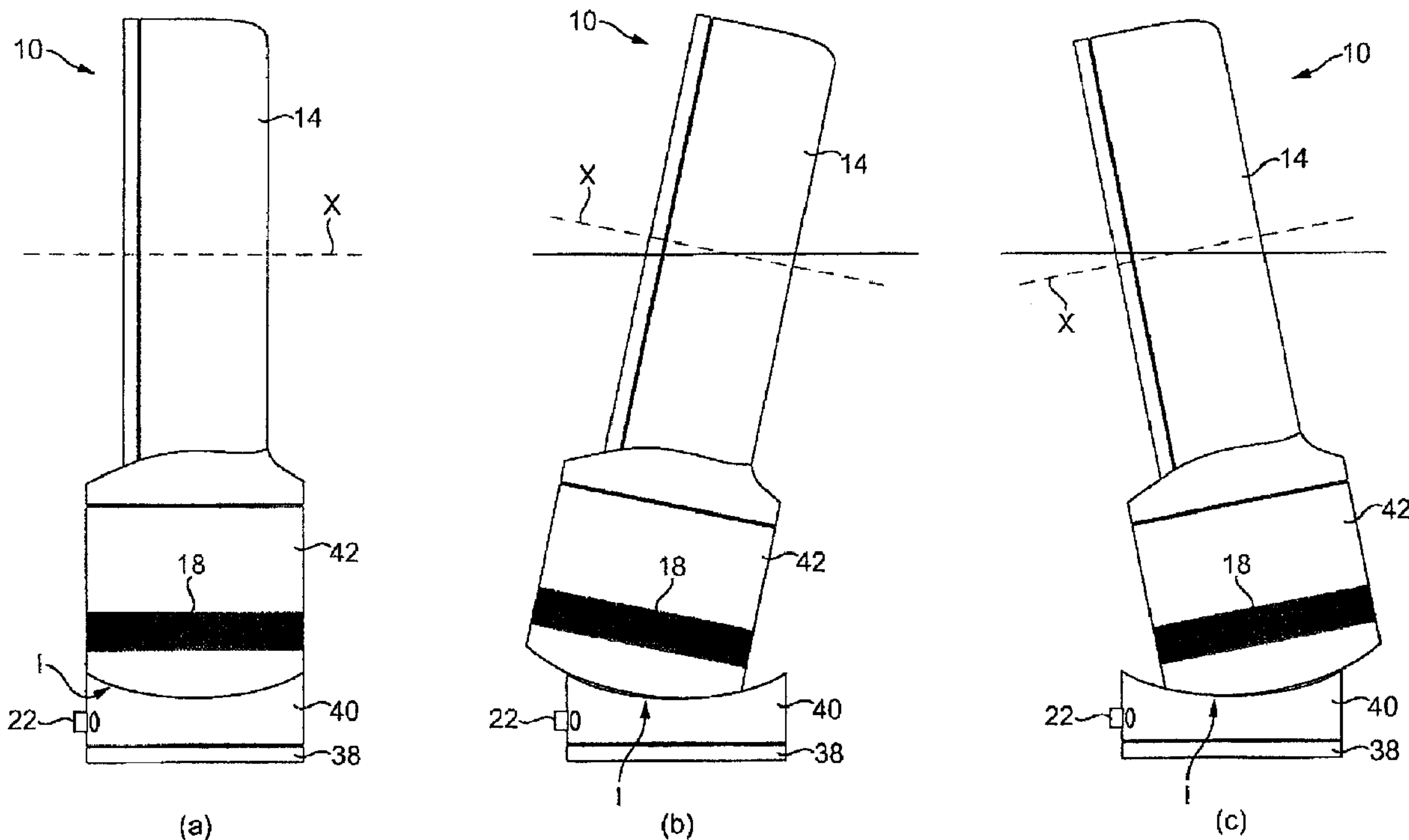




(22) Date de dépôt/Filing Date: 2010/02/18  
 (41) Mise à la disp. pub./Open to Public Insp.: 2010/09/10  
 (45) Date de délivrance/Issue Date: 2014/04/22  
 (62) Demande originale/Original Application: 2 746 498  
 (30) Priorité/Priority: 2009/03/04 (GB0903679.9)

(51) Cl.Int./Int.Cl. *F04D 25/08* (2006.01),  
*F04D 29/60* (2006.01), *F16M 11/06* (2006.01),  
*F24F 13/32* (2006.01)  
 (72) Inventeurs/Inventors:  
 GAMMACK, PETER DAVID, GB;  
 DYSON, JAMES, GB;  
 KNOX, ALEXANDER STUART, GB  
 (73) Propriétaire/Owner:  
 DYSON TECHNOLOGY LIMITED, GB  
 (74) Agent: MARKS & CLERK

(54) Titre : ENSEMBLE DE VENTILATION A CORPS INCLINABLE PAR RAPPORT A LA BASE  
 (54) Title: A FAN ASSEMBLY HAVING A TILTABLE BODY RELATIVE TO A BASE



(57) Abrégé/Abstract:

A fan assembly for creating an air current comprises an air outlet (14) mounted on a stand (12). The stand (12) comprises a base (38, 40) and a body (42) tiltable relative to the base (38, 40). Each of the base (38, 40) and the body (42) has an outer surface shaped so that adjoining portions of the outer surfaces (102, 160) are substantially flush when the body (42) is in the untilted position.



**Abstract**

A fan assembly for creating an air current comprises an air outlet (14) mounted on a stand (12). The stand (12) comprises a base (38, 40) and a body (42) tiltable relative to the base (38, 40). Each of the base (38, 40) and the body (42) has an outer surface shaped so that adjoining portions of the outer surfaces (102, 160) are substantially flush when the body (42) is in the untilted position.

## A Fan Assembly having a Tilttable Body Relative To A Base

This is a divisional application of Canadian Patent Application Serial No. 2,746,498 filed on February 18, 2010.

5

The present invention relates to a fan assembly. Particularly, but not exclusively, the present invention relates to a domestic fan, such as a desk fan, for creating air circulation and air current in a room, in an office or other domestic environment.

10

A conventional domestic fan typically includes a set of blades or vanes mounted for rotation about an axis, and drive apparatus for rotating the set of blades to generate an air flow. The movement and circulation of the air flow creates a 'wind chill' or breeze and, as a result, the user experiences a cooling effect as heat is dissipated through convection and evaporation.

15

Such fans are available in a variety of sizes and shapes. For example, a ceiling fan can be at least 1 m in diameter, and is usually mounted in a suspended manner from the ceiling to provide a downward flow of air to cool a room. On the other hand, desk fans are often around 30 cm in diameter, and are usually free standing and portable. Other types of fan can be attached to the floor or mounted on a wall. Fans such as that disclosed in USD 103,476 and US 1,767,060 are suitable for standing on a desk or a table.

20

A disadvantage of this type of fan is that the air flow produced by the rotating blades is generally not uniform. This is due to variations across the blade surface or across the outward facing surface of the fan. The extent of these variations can vary from product to product and even from one individual fan machine to another. These variations result in the generation of an uneven or 'choppy' air flow which can be felt as a series of pulses of air and which can be uncomfortable for a user. A further disadvantage is that the cooling effect created by the fan diminishes with distance from the user. This means that the fan must be placed in close proximity to the user in order for the user to experience the cooling effect of the fan.

25

30

An oscillating mechanism may be employed to rotate the outlet from the fan so that the air flow is swept over a wide area of a room. The oscillating mechanism can lead to some improvement in the quality and uniformity of the air flow felt by a user although the characteristic 'choppy' air flow remains.

5

Locating fans such as those described above close to a user is not always possible as the bulky shape and structure of the fan mean that the fan occupies a significant amount of the user's work space area.

10 Some fans, such as that described in US 5,609,473, provide a user with an option to adjust the direction in which air is emitted from the fan. In US 5,609,473, the fan comprises a base and a pair of yokes each upstanding from a respective end of the base. The outer body of the fan houses a motor and a set of rotating blades. The outer body is secured to the yokes so as to be pivotable relative to the base. The fan body may be  
15 swung relative to the base from a generally vertical, untilted position to an inclined, tilted position. In this way the direction of the air flow emitted from the fan can be altered.

In such fans, a securing mechanism may be employed to fix the position of the body of  
20 the fan relative to the base. The securing mechanism may comprise a clamp or manual locking screws which may be difficult to use, particularly for the elderly or for users with impaired dexterity.

In a domestic environment it is desirable for appliances to be as small and compact as  
25 possible due to space restrictions. In contrast, fan adjustment mechanisms are often bulky, and are mounted to, and often extend from, the outer surface of the fan assembly. When such a fan is placed on a desk, the footprint of the adjustment mechanism can undesirably reduce the area available for paperwork, a computer or other office equipment. In addition, it is undesirable for parts of the appliance to project outwardly,  
30 both for safety reasons and because such parts can be difficult to clean.

In a first aspect, the present invention provides a fan assembly for creating an air current, the fan assembly comprising an air outlet mounted on a stand comprising a base and a body tiltable relative to the base from an untilted position to a tilted position, each of the base and the body having an outer surface shaped so that adjoining portions of the  
5 outer surfaces are substantially flush when the body is in the untilted position.

This can provide the stand with a tidy and uniform appearance when in an untilted position. This type of uncluttered appearance is desirable and often appeals to a user or customer. The flush portions also have the benefit of allowing the outer surfaces of the  
10 base and the body to be quickly and easily wiped clean.

The body is preferably slidable relative to the base between the untilted position and the tilted position. This can enable the body to be easily moved relative to the base, for example by either pushing or pulling the body relative to the base, between the tilted  
15 and untilted positions.

Preferably, the stand comprises an interface between the base and the body, and at least the outer surfaces of the base and the body which are adjacent to the interface have substantially the same profile. The interface preferably has a curved, more preferably  
20 undulating, outer periphery. Facing surfaces of the base and the main body are preferably conformingly curved. The base preferably has a curved upper surface, whereas the body preferably has a conformingly curved upper surface. For example the upper surface of the base may be convex, whereas the lower surface of the body may be concave.

25

In a preferred embodiment the outer surfaces of the base and the body have substantially the same profile. For example, the profile of the outer surfaces of the base and the body may be substantially circular, elliptical, or polyhedral.

30 The stand preferably comprises interlocking means for retaining the body on the base. The interlocking means are preferably enclosed by the outer surfaces of the base and the

body when the body is in the untilted position so that the stand retains its tidy and uniform appearance. Therefore, in a second aspect the present invention provides a fan assembly for creating an air current, the fan assembly comprising an air outlet mounted on a stand comprising a base and a body tiltable relative to the base from an untilted position to a tilted position, and interlocking means for retaining the body on the base, wherein the interlocking means are enclosed by the outer surfaces of the base and the body when the body is in the untilted position.

The stand preferably comprises means for urging the interlocking means together to resist movement of the body from the tilted position. The base preferably comprises a plurality of support members for supporting the body, and which are preferably also enclosed by the outer surfaces of the base and the body when the body is in the untilted position. Each support member preferably comprises a rolling element for supporting the body, the body comprising a plurality of curved races for receiving the rolling elements and within which the rolling elements move as the body is moved from an untilted position to a tilted position.

The interlocking means preferably comprises a first plurality of locking members located on the base, and a second plurality of locking members located on the body and which are retained by the first plurality of locking members. Each of the locking members is preferably substantially L-shaped. The interlocking members preferably comprise interlocking flanges, which are preferably curved. The curvature of the flanges of the interlocking members of the base is preferably substantially the same as the curvature of the flanges of the interlocking members of the body. This can maximise the frictional forces generated between the interlocking flanges which act against the movement of the body from the tilted position.

In the preferred embodiment the centre of gravity of the fan assembly does not fall outside the footprint of the base when the body is in a fully tilted position, thereby reducing the risk of the fan assembly toppling over in use. The stand preferably comprises means for inhibiting the movement of the body relative to the base beyond a

fully tilted position. The movement inhibiting means preferably comprises a stop member depending from the body for engaging part of the base when the body is in a fully tilted position. In the preferred embodiment the stop member is arranged to engage part of the interlocking means, preferably a flange of an interlocking member of the base, to inhibit movement of the body relative to the base beyond the fully tilted position

The fan assembly is preferably in the form of a bladeless fan assembly. Through use of a bladeless fan assembly an air current can be generated without the use of a bladed fan. Without the use of a bladed fan to project the air current from the fan assembly, a relatively uniform air current can be generated and guided into a room or towards a user. The air current can travel efficiently out from the outlet, losing little energy and velocity to turbulence.

The term 'bladeless' is used to describe a fan assembly in which air flow is emitted or projected forward from the fan assembly without the use of moving blades. Consequently, a bladeless fan assembly can be considered to have an output area, or emission zone, absent moving blades from which the air flow is directed towards a user or into a room. The output area of the bladeless fan assembly may be supplied with a primary air flow generated by one of a variety of different sources, such as pumps, generators, motors or other fluid transfer devices, and which may include a rotating device such as a motor rotor and/or a bladed impeller for generating the air flow. The generated primary air flow can pass from the room space or other environment outside the fan assembly into the fan assembly, and then back out to the room space through the outlet.

Hence, the description of a fan assembly as bladeless is not intended to extend to the description of the power source and components such as motors that are required for secondary fan functions. Examples of secondary fan functions can include lighting, adjustment and oscillation of the fan assembly.

The stand preferably comprises means for creating an air flow through the fan assembly. Preferably the means for creating an air flow through the fan assembly comprises an impeller, a motor for rotating the impeller, and preferably also a diffuser located downstream from the impeller. The impeller is preferably a mixed flow impeller. The motor is preferably a DC brushless motor to avoid frictional losses and carbon debris from the brushes used in a traditional brushed motor. Reducing carbon debris and emissions is advantageous in a clean or pollutant sensitive environment such as a hospital or around those with allergies. While induction motors, which are generally used in pedestal fans, also have no brushes, a DC brushless motor can provide a much wider range of operating speeds than an induction motor.

The means for creating an air flow through the fan assembly is preferably located within the body of the stand. The weight of the components of the means for creating an air flow, in particular the motor, can act to stabilise the body on the base when the body is in a tilted position. The body preferably comprises at least one air inlet through which air is drawn into the fan assembly by the means for creating an air flow. This can provide a short, compact air flow path that minimises noise and frictional losses.

The base preferably comprises control means for controlling the fan assembly. For safety reasons and ease of use, it can be advantageous to locate control elements away from the tiltable body so that the control functions, such as, for example, oscillation, lighting or activation of a speed setting, are not activated during a tilt operation.

The air outlet preferably comprises a nozzle mounted on the stand, the nozzle comprising a mouth for emitting the air flow, the nozzle extending about an opening through which air from outside the nozzle is drawn by the air flow emitted from the mouth. Preferably, the nozzle surrounds the opening. The nozzle may be an annular nozzle which preferably has a height in the range from 200 to 600 mm, more preferably in the range from 250 to 500 mm.



Preferably, the mouth of the nozzle extends about the opening, and is preferably annular. The nozzle preferably comprises an inner casing section and an outer casing section which define the mouth of the nozzle. Each section is preferably formed from a respective annular member, but each section may be provided by a plurality of members  
5 connected together or otherwise assembled to form that section. The outer casing section is preferably shaped so as to partially overlap the inner casing section. This can enable an outlet of the mouth to be defined between overlapping portions of the external surface of the inner casing section and the internal surface of the outer casing section of the nozzle. The outlet is preferably in the form of a slot, preferably having a width in  
10 the range from 0.5 to 5 mm, more preferably in the range from 0.5 to 1.5 mm. The nozzle may comprise a plurality of spacers for urging apart the overlapping portions of the inner casing section and the outer casing section of the nozzle. This can assist in maintaining a substantially uniform outlet width about the opening. The spacers are preferably evenly spaced along the outlet.

15

The nozzle preferably comprises an interior passage for receiving the air flow from the stand. The interior passage is preferably annular, and is preferably shaped to divide the air flow into two air streams which flow in opposite directions around the opening. The interior passage is preferably also defined by the inner casing section and the outer  
20 casing section of the nozzle.

The fan assembly preferably comprises means for oscillating the nozzle so that the air current is swept over an arc, preferably in the range from 60 to 120°. For example, the base of the stand may comprise means for oscillating an upper base member, to which  
25 the body is connected, relative to a lower base member.

The maximum air flow of the air current generated by the fan assembly is preferably in the range from 300 to 800 litres per second, more preferably in the range from 500 to 800 litres per second.

30

The nozzle may comprise a Coanda surface located adjacent the mouth and over which the mouth is arranged to direct the air flow emitted therefrom. Preferably, the external surface of the inner casing section of the nozzle is shaped to define the Coanda surface. The Coanda surface preferably extends about the opening. A Coanda surface is a known type of surface over which fluid flow exiting an output orifice close to the surface exhibits the Coanda effect. The fluid tends to flow over the surface closely, almost 'clinging to' or 'hugging' the surface. The Coanda effect is already a proven, well documented method of entrainment in which a primary air flow is directed over a Coanda surface. A description of the features of a Coanda surface, and the effect of fluid flow over a Coanda surface, can be found in articles such as Reba, Scientific American, Volume 214, June 1966 pages 84 to 92. Through use of a Coanda surface, an increased amount of air from outside the fan assembly is drawn through the opening by the air emitted from the mouth.

15 Preferably, an air flow enters the nozzle of the fan assembly from the stand. In the following description this air flow will be referred to as primary air flow. The primary air flow is emitted from the mouth of the nozzle and preferably passes over a Coanda surface. The primary air flow entrains air surrounding the mouth of the nozzle, which acts as an air amplifier to supply both the primary air flow and the entrained air to the user. The entrained air will be referred to here as a secondary air flow. The secondary air flow is drawn from the room space, region or external environment surrounding the mouth of the nozzle and, by displacement, from other regions around the fan assembly, and passes predominantly through the opening defined by the nozzle. The primary air flow directed over the Coanda surface combined with the entrained secondary air flow equates to a total air flow emitted or projected forward from the opening defined by the nozzle. Preferably, the entrainment of air surrounding the mouth of the nozzle is such that the primary air flow is amplified by at least five times, more preferably by at least ten times, while a smooth overall output is maintained.

Preferably, the nozzle comprises a diffuser surface located downstream of the Coanda surface. The external surface of the inner casing section of the nozzle is preferably shaped to define the diffuser surface.

- 5 In a third aspect, the present invention provides a stand for a fan assembly, the stand comprising a base and a body tiltable relative to the base, the base and the body each having an outer surface shaped so that adjoining portions of the outer surfaces are substantially flush when the body is in the untilted position. In a fourth aspect the present invention provides a stand comprising a base and a body tiltable relative to the
- 10 base from an untilted position to a tilted position, and interlocking means for retaining the body on the base, wherein the interlocking means are enclosed by the outer surfaces of the base and the body when the body is in the untilted position.

Features described above in relation to the first and second aspects of the invention are

15 equally applicable to each of the third and fourth aspects of the invention, and vice versa.

An embodiment of the invention will now be described with reference to the accompanying drawings, in which:

20

Figure 1 is a front view of a fan assembly;

Figure 2 is a perspective view of the nozzle of the fan assembly of Figure 1;

25 Figure 3 is a sectional view through the fan assembly of Figure 1;

Figure 4 is an enlarged view of part of Figure 3;

Figure 5(a) is a side view of the fan assembly of Figure 1 showing the fan assembly in

30 an untilted position;

Figure 5(b) is a side view of the fan assembly of Figure 1 showing the fan assembly in a first tilted position;

Figure 5(c) is a side view of the fan assembly of Figure 1 showing the fan assembly in a  
5 second tilted position;

Figure 6 is a top perspective view of the upper base member of the fan assembly of Figure 1;

10 Figure 7 is a rear perspective view of the main body of the fan assembly of Figure 1;

Figure 8 is an exploded view of the main body of Figure 7;

Figure 9(a) illustrates the paths of two sectional views through the stand when the fan  
15 assembly is in an untilted position;

Figure 9(b) is a sectional view along line A-A of Figure 9(a);

Figure 9(c) is a sectional view along line B-B of Figure 9(a);  
20

Figure 10(a) illustrates the paths of two further sectional views through the stand when the fan assembly is in an untilted position;

Figure 10(b) is a sectional view along line C-C of Figure 10(a); and  
25

Figure 10(c) is a sectional view along line D-D of Figure 10(a);

Figure 1 is a front view of a fan assembly 10. The fan assembly 10 is preferably in the form of a bladeless fan assembly comprising a stand 12 and a nozzle 14 mounted on and  
30 supported by the stand 12. The stand 12 comprises a substantially cylindrical outer casing 16 having a plurality of air inlets 18 in the form of apertures located in the outer

casing 16 and through which a primary air flow is drawn into the stand 12 from the external environment. The stand 12 further comprises a plurality of user-operable buttons 20 and a user-operable dial 22 for controlling the operation of the fan assembly 10. In this example the stand 12 has a height in the range from 200 to 300 mm, and the  
5 outer casing 16 has an external diameter in the range from 100 to 200 mm.

With reference also to Figure 2, the nozzle 14 has an annular shape and defines a central opening 24. The nozzle 14 has a height in the range from 200 to 400 mm. The nozzle 14 comprises a mouth 26 located towards the rear of the fan assembly 10 for emitting  
10 air from the fan assembly 10 and through the opening 24. The mouth 26 extends at least partially about the opening 24. The inner periphery of the nozzle 14 comprises a Coanda surface 28 located adjacent the mouth 26 and over which the mouth 26 directs the air emitted from the fan assembly 10, a diffuser surface 30 located downstream of the Coanda surface 28 and a guide surface 32 located downstream of the diffuser  
15 surface 30. The diffuser surface 30 is arranged to taper away from the central axis X of the opening 24 in such a way so as to assist the flow of air emitted from the fan assembly 10. The angle subtended between the diffuser surface 30 and the central axis X of the opening 24 is in the range from 5 to 25°, and in this example is around 15°. The guide surface 32 is arranged at an angle to the diffuser surface 30 to further assist  
20 the efficient delivery of a cooling air flow from the fan assembly 10. The guide surface 32 is preferably arranged substantially parallel to the central axis X of the opening 24 to present a substantially flat and substantially smooth face to the air flow emitted from the mouth 26. A visually appealing tapered surface 34 is located downstream from the guide surface 32, terminating at a tip surface 36 lying substantially perpendicular to the  
25 central axis X of the opening 24. The angle subtended between the tapered surface 34 and the central axis X of the opening 24 is preferably around 45°. The overall depth of the nozzle 24 in a direction extending along the central axis X of the opening 24 is in the range from 100 to 150 mm, and in this example is around 110 mm.

30 Figure 3 illustrates a sectional view through the fan assembly 10. The stand 12 comprises a base formed from a lower base member 38 and an upper base member 40

mounted on the lower base member 38, and a main body 42 mounted on the base. As indicated in Figures 1 and 5, an interface I is thus formed between the main body 42 and the base. The interface I has a curved, preferably undulating, outer periphery. At least the outer surfaces of the base and the main body 42 which are adjacent to the interface thus have substantially the same, in this embodiment circular, profile.

The lower base member 38 has a substantially flat bottom surface 43. The upper base member 40 houses a controller 44 for controlling the operation of the fan assembly 10 in response to depression of the user operable buttons 20 shown in Figures 1 and 2, and/or manipulation of the user operable dial 22. The upper base member 40 may also house an oscillating mechanism 46 for oscillating the upper base member 40 and the main body 42 relative to the lower base member 38. The range of each oscillation cycle of the main body 42 is preferably between 60° and 120°, and in this example is around 90°. In this example, the oscillating mechanism 46 is arranged to perform around 3 to 5 oscillation cycles per minute. A mains power cable 48 extends through an aperture formed in the lower base member 38 for supplying electrical power to the fan assembly 10.

The main body 42 of the stand 12 has an open upper end to which the nozzle 14 is connected, for example by a snap-fit connection. The main body 42 comprises a cylindrical grille 50 in which an array of apertures is formed to provide the air inlets 18 of the stand 12. The main body 42 houses an impeller 52 for drawing the primary air flow through the apertures of the grille 50 and into the stand 12. Preferably, the impeller 52 is in the form of a mixed flow impeller. The impeller 52 is connected to a rotary shaft 54 extending outwardly from a motor 56. In this example, the motor 56 is a DC brushless motor having a speed which is variable by the controller 44 in response to user manipulation of the dial 22. The maximum speed of the motor 56 is preferably in the range from 5,000 to 10,000 rpm. The motor 56 is housed within a motor bucket comprising an upper portion 58 connected to a lower portion 60. One of the upper portion 58 and the lower portion 60 of the motor bucket comprises a diffuser 62 in the

form of a stationary disc having spiral blades, and which is located downstream from the impeller 52.

The motor bucket is located within, and mounted on, an impeller housing 64. The  
5 impeller housing 64 is, in turn, mounted on a plurality of angularly spaced supports 66,  
in this example three supports, located within the main body 42 of the stand 12. A  
generally frusto-conical shroud 68 is located within the impeller housing 64. The  
shroud 68 is shaped so that the outer edges of the impeller 52 are in close proximity to,  
but do not contact, the inner surface of the shroud 68. A substantially annular inlet  
10 member 70 is connected to the bottom of the impeller housing 64 for guiding the  
primary air flow into the impeller housing 64. Preferably, the stand 12 further  
comprises silencing foam for reducing noise emissions from the stand 12. In this  
example, the main body 42 of the stand 12 comprises a disc-shaped foam member 72  
located towards the base of the main body 42, and a substantially annular foam member  
15 74 located within the motor bucket.

Figure 4 illustrates a sectional view through the nozzle 14. The nozzle 14 comprises an  
annular outer casing section 80 connected to and extending about an annular inner  
casing section 82. Each of these sections may be formed from a plurality of connected  
20 parts, but in this embodiment each of the outer casing section 80 and the inner casing  
section 82 is formed from a respective, single moulded part. The inner casing section  
82 defines the central opening 24 of the nozzle 14, and has an external peripheral  
surface 84 which is shaped to define the Coanda surface 28, diffuser surface 30, guide  
surface 32 and tapered surface 34.

25 The outer casing section 80 and the inner casing section 82 together define an annular  
interior passage 86 of the nozzle 14. Thus, the interior passage 86 extends about the  
opening 24. The interior passage 86 is bounded by the internal peripheral surface 88 of  
the outer casing section 80 and the internal peripheral surface 90 of the inner casing  
30 section 82. The outer casing section 80 comprises a base 92 which is connected to, and  
over, the open upper end of the main body 42 of the stand 12, for example by a snap-fit

connection. The base 92 of the outer casing section 80 comprises an aperture through which the primary air flow enters the interior passage 86 of the nozzle 14 from the open upper end of the main body 42 of the stand 12.

5 The mouth 26 of the nozzle 14 is located towards the rear of the fan assembly 10. The mouth 26 is defined by overlapping, or facing, portions 94, 96 of the internal peripheral surface 88 of the outer casing section 80 and the external peripheral surface 84 of the inner casing section 82, respectively. In this example, the mouth 26 is substantially annular and, as illustrated in Figure 4, has a substantially U-shaped cross-section when  
10 sectioned along a line passing diametrically through the nozzle 14. In this example, the overlapping portions 94, 96 of the internal peripheral surface 88 of the outer casing section 80 and the external peripheral surface 84 of the inner casing section 82 are shaped so that the mouth 26 tapers towards an outlet 98 arranged to direct the primary flow over the Coanda surface 28. The outlet 98 is in the form of an annular slot,  
15 preferably having a relatively constant width in the range from 0.5 to 5 mm. In this example the outlet 98 has a width of around 1.1 mm. Spacers may be spaced about the mouth 26 for urging apart the overlapping portions 94, 96 of the internal peripheral surface 88 of the outer casing section 80 and the external peripheral surface 84 of the inner casing section 82 to maintain the width of the outlet 98 at the desired level. These  
20 spacers may be integral with either the internal peripheral surface 88 of the outer casing section 80 or the external peripheral surface 84 of the inner casing section 82.

Turning now to Figures 5(a), 5(b) and 5(c), the main body 42 is moveable relative to the base of the stand 12 between a first fully tilted position, as illustrated in Figure 5(b), and  
25 a second fully tilted position, as illustrated in Figure 5(c). This axis X is preferably inclined by an angle of around  $10^\circ$  as the main body is moved from an untilted position, as illustrated in Figure 5(a) to one of the two fully tilted positions. The outer surfaces of the main body 42 and the upper base member 40 are shaped so that adjoining portions of these outer surfaces of the main body 42 and the base are substantially flush when the  
30 main body 42 is in the untilted position.



With reference to Figure 6, the upper base member 40 comprises an annular lower surface 100 which is mounted on the lower base member 38, a substantially cylindrical side wall 102 and a curved upper surface 104. The side wall 102 comprises a plurality of apertures 106. The user-operable dial 22 protrudes through one of the apertures 106  
5 whereas the user-operable buttons 20 are accessible through the other apertures 106. The curved upper surface 104 of the upper base member 40 is concave in shape, and may be described as generally saddle-shaped. An aperture 108 is formed in the upper surface 104 of the upper base member 40 for receiving an electrical cable 110 (shown in Figure 3) extending from the motor 56.

10

The upper base member 40 further comprises four support members 120 for supporting the main body 42 on the upper base member 40. The support members 120 project upwardly from the upper surface 104 of the upper base member 40, and are arranged such that they are substantially equidistant from each other, and substantially equidistant  
15 from the centre of the upper surface 104. A first pair of the support members 120 is located along the line B-B indicated in Figure 9(a), and a second pair of the support members 120 is parallel with the first pair of support members 120. With reference also to Figures 9(b) and 9(c), each support member 120 comprises a cylindrical outer wall 122, an open upper end 124 and a closed lower end 126. The outer wall 122 of the  
20 support member 120 surrounds a rolling element 128 in the form of a ball bearing. The rolling element 128 preferably has a radius which is slightly smaller than the radius of the cylindrical outer wall 122 so that the rolling element 128 is retained by and moveable within the support member 120. The rolling element 128 is urged away from the upper surface 104 of the upper base member 40 by a resilient element 130 located  
25 between the closed lower end 126 of the support member 120 and the rolling element 128 so that part of the rolling element 128 protrudes beyond the open upper end 124 of the support member 120. In this embodiment, the resilient member 130 is in the form of a coiled spring.

30 Returning to Figure 6, the upper base member 40 also comprises a plurality of rails for retaining the main body 42 on the upper base member 40. The rails also serve to guide

the movement of the main body 42 relative to the upper base member 40 so that there is substantially no twisting or rotation of the main body 42 relative to the upper base member 40 as it is moved from or to a tilted position. Each of the rails extends in a direction substantially parallel to the axis X. For example, one of the rails lies along  
5 line D-D indicated in Figure 10(a). In this embodiment, the plurality of rails comprises a pair of relatively long, inner rails 140 located between a pair of relatively short, outer rails 142. With reference also to Figures 9(b) and 10(b), each of the inner rails 140 has a cross-section in the form of an inverted L-shape, and comprises a wall 144 which extends between a respective pair of the support members 120, and which is connected  
10 to, and upstanding from, the upper surface 104 of the upper base member 40. Each of the inner rails 140 further comprises a curved flange 146 which extends along the length of the wall 144, and which protrudes orthogonally from the top of the wall 144 towards the adjacent outer guide rail 142. Each of the outer rails 142 also has a cross-section in the form of an inverted L-shape, and comprises a wall 148 which is connected to, and  
15 upstanding from, the upper surface 52 of the upper base member 40 and a curved flange 150 which extends along the length of the wall 148, and which protrudes orthogonally from the top of the wall 148 away from the adjacent inner guide rail 140.

With reference now to Figures 7 and 8, the main body 42 comprises a substantially  
20 cylindrical side wall 160, an annular lower end 162 and a curved base 164 which is spaced from lower end 162 of the main body 42 to define a recess. The grille 50 is preferably integral with the side wall 160. The side wall 160 of the main body 42 has substantially the same external diameter as the side wall 102 of the upper base member 40. The base 164 is convex in shape, and may be described generally as having an  
25 inverted saddle-shape. An aperture 166 is formed in the base 164 for allowing the cable 110 to extend from the base 164 of the main body 42. Two pairs of stop members 168 extend upwardly (as illustrated in Figure 8) from the periphery of base 164. Each pair of stop members 168 is located along a line extending in a direction substantially parallel to the axis X. For example, one of the pairs of stop members 168 is located  
30 along line D-D illustrated in Figure 10(a).

A convex tilt plate 170 is connected to the base 164 of the main body 42. The tilt plate 170 is located within the recess of the main body 42, and has a curvature which is substantially the same as that of the base 164 of the main body 42. Each of the stop members 168 protrudes through a respective one of a plurality of apertures 172 located  
5 about the periphery of the tilt plate 170. The tilt plate 170 is shaped to define a pair of convex races 174 for engaging the rolling elements 128 of the upper base member 40. Each race 174 extends in a direction substantially parallel to the axis X, and is arranged to receive the rolling elements 128 of a respective pair of the support members 120, as illustrated in Figure 9(c).

10

The tilt plate 170 also comprises a plurality of runners, each of which is arranged to be located at least partially beneath a respective rail of the upper base member 40 and thus co-operate with that rail to retain the main body 42 on the upper base member 40 and to guide the movement of the main body 42 relative to the upper base member 40. Thus,  
15 each of the runners extends in a direction substantially parallel to the axis X. For example, one of the runners lies along line D-D indicated in Figure 10(a). In this embodiment, the plurality of runners comprises a pair of relatively long, inner runners 180 located between a pair of relatively short, outer runners 182. With reference also to Figures 9(b) and 10(b), each of the inner runners 180 has a cross-section in the form of  
20 an inverted L-shape, and comprises a substantially vertical wall 184 and a curved flange 186 which protrudes orthogonally and inwardly from part of the top of the wall 184. The curvature of the curved flange 186 of each inner runner 180 is substantially the same as the curvature of the curved flange 146 of each inner rail 140. Each of the outer runners 182 also has a cross-section in the form of an inverted L-shape, and comprises a  
25 substantially vertical wall 188 and a curved flange 190 which extends along the length of the wall 188, and which protrudes orthogonally and inwardly from the top of the wall 188. Again, the curvature of the curved flange 190 of each outer runner 182 is substantially the same as the curvature of the curved flange 150 of each outer rail 142. The tilt plate 170 further comprises an aperture 192 for receiving the cable 110.

30

To connect the main body 42 to the upper base member 40, the tilt plate 170 is inverted from the orientation illustrated in Figures 7 and 8, and the races 174 of the tilt plate located directly behind and in line with the support members 120 of the upper base member 40. The cable 110 extending through the aperture 166 of the main body 42  
5 may be threaded through the apertures 108, 192 in the tilt plate 170 and the upper base member 40 respectively for subsequent connection to the controller 44, as illustrated in Figure 3. The tilt plate 170 is then slid over the upper base member 40 so that the rolling elements 128 engage the races 174, as illustrated in Figures 9(b) and 9(c), the curved flange 190 of each outer runner 182 is located beneath the curved flange 150 of a  
10 respective outer rail 142, as illustrated in Figures 9(b) and 10(b), and the curved flange 186 of each inner runner 180 is located beneath the curved flange 146 of a respective inner rail 140, as illustrated in Figures 9(b), 10(b) and 10(c).

With the tilt plate 170 positioned centrally on the upper base member 40, the main body  
15 42 is lowered on to the tilt plate 170 so that the stop members 168 are located within the apertures 172 of the tilt plate 170, and the tilt plate 170 is housed within the recess of the main body 42. The upper base member 40 and the main body 42 are then inverted, and the base member 40 displaced along the direction of the axis X to reveal a first plurality of apertures 194a located on the tilt plate 170. Each of these apertures 194a  
20 is aligned with a tubular protrusion 196a on the base 164 of the main body 42. A self-tapping screw is screwed into each of the apertures 194a to enter the underlying protrusion 196a, thereby partially connecting the tilt plate 170 to the main body 42. The upper base member 40 is then displaced in the reverse direction to reveal a second plurality of apertures 194b located on the tilt plate 170. Each of these apertures 194b is  
25 also aligned with a tubular protrusion 196b on the base 164 of the main body 42. A self-tapping screw is screwed into each of the apertures 194b to enter the underlying protrusion 196b to complete the connection of the tilt plate 170 to the main body 42.

When the main body 42 is attached to the base and the bottom surface 43 of the lower  
30 base member 38 positioned on a support surface, the main body 42 is supported by the rolling elements 128 of the support members 120. The resilient elements 130 of the

support members 120 urge the rolling elements 128 away from the closed lower ends 126 of the support members 120 by a distance which is sufficient to inhibit scraping of the upper surfaces of the upper base member 40 when the main body 42 is tilted. For example, as illustrated in each of Figures 9(b), 9(c), 10(b) and 10(c) the lower end 162  
5 of the main body 42 is urged away from the upper surface 104 of the upper base member 40 to prevent contact therebetween when the main body 42 is tilted. Furthermore, the action of the resilient elements 130 urges the concave upper surfaces of the curved flanges 186, 190 of the runners against the convex lower surfaces of the curved flanges 146, 150 of the rails.

10

To tilt the main body 42 relative to the base, the user slides the main body 42 in a direction parallel to the axis X to move the main body 42 towards one of the fully tilted positions illustrated in Figures 5(b) and 5(c), causing the rolling elements 128 move along the races 174. Once the main body 42 is in the desired position, the user releases  
15 the main body 42, which is retained in the desired position by frictional forces generated through the contact between the concave upper surfaces of the curved flanges 186, 190 of the runners and the convex lower surfaces of the curved flanges 146, 150 of the rails acting to resist the movement under gravity of the main body 42 towards the untilted position illustrated in Figure 5(a). The fully titled positions of the main body 42 are  
20 defined by the abutment of one of each pair of stop members 168 with a respective inner rail 140.

To operate the fan assembly 10 the user depresses an appropriate one of the buttons 20 on the stand 12, in response to which the controller 44 activates the motor 56 to rotate  
25 the impeller 52. The rotation of the impeller 52 causes a primary air flow to be drawn into the stand 12 through the air inlets 18. Depending on the speed of the motor 56, the primary air flow may be between 20 and 30 litres per second. The primary air flow passes sequentially through the impeller housing 64 and the open upper end of the main body 42 to enter the interior passage 86 of the nozzle 14. Within the nozzle 14, the  
30 primary air flow is divided into two air streams which pass in opposite directions around the central opening 24 of the nozzle 14. As the air streams pass through the interior

passage 86, air enters the mouth 26 of the nozzle 14. The air flow into the mouth 26 is preferably substantially even about the opening 24 of the nozzle 14. Within each section of the mouth 26, the flow direction of the portion of the air stream is substantially reversed. The portion of the air stream is constricted by the tapering  
5 section of the mouth 26 and emitted through the outlet 98.

The primary air flow emitted from the mouth 26 is directed over the Coanda surface 28 of the nozzle 14, causing a secondary air flow to be generated by the entrainment of air from the external environment, specifically from the region around the outlet 98 of the  
10 mouth 26 and from around the rear of the nozzle 14. This secondary air flow passes through the central opening 24 of the nozzle 14, where it combines with the primary air flow to produce a total air flow, or air current, projected forward from the nozzle 14. Depending on the speed of the motor 56, the mass flow rate of the air current projected forward from the fan assembly 10 may be up to 400 litres per second, preferably up to  
15 600 litres per second, and the maximum speed of the air current may be in the range from 2.5 to 4 m/s.

The even distribution of the primary air flow along the mouth 26 of the nozzle 14 ensures that the air flow passes evenly over the diffuser surface 30. The diffuser surface  
20 30 causes the mean speed of the air flow to be reduced by moving the air flow through a region of controlled expansion. The relatively shallow angle of the diffuser surface 30 to the central axis X of the opening 24 allows the expansion of the air flow to occur gradually. A harsh or rapid divergence would otherwise cause the air flow to become disrupted, generating vortices in the expansion region. Such vortices can lead to an  
25 increase in turbulence and associated noise in the air flow which can be undesirable, particularly in a domestic product such as a fan. The air flow projected forwards beyond the diffuser surface 30 can tend to continue to diverge. The presence of the guide surface 32 extending substantially parallel to the central axis X of the opening 30 further converges the air flow. As a result, the air flow can travel efficiently out from  
30 the nozzle 14, enabling the air flow can be experienced rapidly at a distance of several metres from the fan assembly 10.

In one embodiment, the movement of the main body 42 relative to the base may be motorized, and actuated by user through depression of one of the buttons 20.

The embodiments of the invention in which an exclusive property or privilege is claimed are defined as follows:

1. A fan assembly for creating an air current, the fan assembly comprising an air outlet mounted on a stand comprising a base and a body tiltable relative to the base from an untilted position to a tilted position, and interlocking means for retaining the body on the base, wherein the interlocking means are enclosed by the outer surfaces of the base and the body when the body is in the untilted position, and comprise a first plurality of interlocking flanges connected to the base, and a second plurality of interlocking flanges connected to the body.
2. A fan assembly as claimed in claim 1, comprising means for urging the interlocking means together to resist movement of the body from the tilted position.
3. A fan assembly as claimed in claim 1 or 2, wherein the interlocking means comprises a first plurality of locking members located on the base, and a second plurality of locking members located on the body and which are retained by the first plurality of locking members, and wherein the interlocking members comprise the interlocking flanges.
4. A fan assembly as claimed in claim 3, wherein the first plurality of locking members is connected to a curved upper surface of the base.
5. A fan assembly as claimed in claim 4, wherein the upper surface of the base is concave.
6. A fan assembly as claimed in any one of claims 3 to 5, wherein the second plurality of locking members is connected to a curved base of the body.
7. A fan assembly as claimed in claim 6, wherein the curved base of the body is convex.



8. A fan assembly as claimed in any one of claims 1 to 7, wherein the interlocking flanges are curved.
9. A fan assembly as claimed in any one of claims 1 to 8, wherein the stand comprises means for inhibiting the movement of the body relative to the base beyond a fully tilted position.
10. A fan assembly as claimed in claim 9, wherein the movement inhibiting means comprises a stop member depending from the body for engaging part of the base when the body is in a fully tilted position.
11. A fan assembly as claimed in claim 10, wherein the stop member is arranged to engage part of the interlocking means to inhibit movement of the body relative to the base beyond the fully tilted position.
12. A fan assembly as claimed in claim 11, wherein the stop member is arranged to engage one of the first plurality of interlocking flanges.
13. A fan assembly as claimed in any one of claims 1 to 12, wherein the stand comprises means for creating an air flow through the fan assembly.
14. A fan assembly as claimed in claim 13, wherein the means for creating an air flow through the fan assembly is located within the body of the stand.
15. A fan assembly as claimed in claim 14, wherein the body comprises at least one air inlet through which the air is drawn into the fan assembly by the means for creating an air flow.
16. A fan assembly as claimed in any one of claims 1 to 15, wherein the base of the stand comprises control means for controlling the fan assembly.
17. A fan assembly as claimed in any one of claims 1 to 16, wherein the outer surfaces of the base and the body are substantially cylindrical.

18. A stand for a fan assembly, the stand comprising a base and a body tiltable relative to the base from an untilted position to a tilted position, and interlocking means for retaining the body on the base, wherein the interlocking means are enclosed by the outer surfaces of the base and the body when the body is in the untilted position, and comprise a first plurality of interlocking flanges connected to the base, and a second plurality of interlocking flanges connected to the body.
19. A stand as claimed in claim 18, comprising means for urging the interlocking means together to resist movement of the body from the tilted position.
20. A stand as claimed in claim 18 or 19, wherein the interlocking means comprises a first plurality of locking members located on the base, and a second plurality of locking members located on the body and which are retained by the first plurality of locking members, and wherein the interlocking members comprise the interlocking flanges.
21. A stand as claimed in claim 20, wherein the first plurality of locking members is connected to a curved upper surface of the base.
22. A stand as claimed in claim 21, wherein the upper surface of the base is concave.
23. A stand as claimed in any one of claims 20 to 22, wherein the second plurality of locking members is connected to a curved base of the body.
24. A stand as claimed in claim 23, wherein the curved base of the body is convex.
25. A stand as claimed in any one of claims 18 to 24, wherein the interlocking flanges are curved.
26. A stand as claimed in any one of claims 18 to 25, comprising means for inhibiting the movement of the body relative to the base beyond a fully tilted position.

27. A stand as claimed in claim 26, wherein the movement inhibiting means comprises a stop member depending from the body for engaging part of the base when the body is in a fully tilted position.
28. A stand as claimed in claim 27, wherein the stop member is arranged to engage part of the interlocking means to inhibit movement of the body relative to the base beyond the fully tilted position.
29. A stand as claimed in claim 28, wherein the stop member is arranged to engage one of the first plurality of interlocking flanges.
30. A stand as claimed in any one of claims 18 to 29, wherein the outer surfaces of the base and the body are substantially cylindrical.
31. A fan assembly for creating an air current, the fan assembly comprising an air outlet mounted on a stand comprising a base and a body tiltable relative to the base from an untilted position to a tilted position, each of the base and the body having an outer surface shaped so that adjoining portions of the outer surfaces are substantially flush when the body is in the untilted position, and interlocking means for retaining the body on the base, the interlocking means comprising a first plurality of substantially L-shaped locking members located on the base and a second plurality of substantially L-shaped locking members located on the body and which are retained by the first plurality of locking members, each locking member comprising a curved flange.
32. A fan assembly as claimed in claim 31, comprising means for urging the interlocking means together to resist movement of the body from the tilted position.
33. A fan assembly as claimed in claim 31 or 32, wherein the stand comprises means for inhibiting the movement of the body relative to the base beyond a fully tilted position.
34. A fan assembly as claimed in claim 33, wherein the movement inhibiting means comprises a stop member depending from the body for engaging part of the base when the body is in a fully tilted position.

35. A fan assembly as claimed in any one of claims 31 to 34, wherein the base of the stand comprises control means for controlling the fan assembly.

36. A fan assembly as claimed in any one of claims 31 to 35, wherein the base comprises an upper base member to which the body is connected, a lower base member, and means for oscillating the upper base member relative to the lower base member.

37. A fan assembly as claimed in any one of claims 31 to 36, wherein the stand comprises means for creating an air flow through the fan assembly.

38. A fan assembly as claimed in claim 37, wherein the cylindrical outer surface of the body comprises at least one air inlet through which air is drawn into the fan assembly by the means for creating an air flow.

39. A fan assembly as claimed in any one of claims 31 to 38, wherein the curvature of the flanges of the first plurality of interlocking members is substantially the same as the curvature of the flanges of the second plurality of interlocking members.

40. A stand for a fan assembly, the stand comprising a base and a body tiltable relative to the base, the base and the body each having an outer surface shaped so that adjoining portions of the outer surfaces are substantially flush when the body is in the untilted position, and interlocking means for retaining the body on the base, the interlocking means comprising a first plurality of substantially L-shaped locking members located on the base and a second plurality of substantially L-shaped locking members located on the body and which are retained by the first plurality of locking members, each locking member comprising a curved flange.

41. A stand as claimed in claim 40, comprising means for urging the interlocking means together to resist movement of the body from the tilted position.

42. A stand as claimed in claim 40 or 41, wherein the stand comprises means for inhibiting the movement of the body relative to the base beyond a fully tilted position.

43. A stand as claimed in claim 42, wherein the movement inhibiting means comprises a stop member depending from the body for engaging part of the base when the body is in a fully tilted position.

44. A stand as claimed in any one of claims 40 to 43, wherein the base of the stand comprises control means for controlling the fan assembly.

45. A stand as claimed in any one of claims 40 to 44, wherein the base comprises an upper base member to which the body is connected, a lower base member, and means for oscillating the upper base member relative to the lower base member.

46. A stand as claimed in any one of claims 40 to 45, wherein the stand comprises means for creating an air flow through the fan assembly.

47. A stand as claimed in claim 46, wherein the cylindrical outer surface of the body comprises at least one air inlet through which air is drawn into the fan assembly by the means for creating an air flow.

48. A stand as claimed in any one of claims 40 to 47, wherein the curvature of the flanges of the first plurality of interlocking members is substantially the same as the curvature of the flanges of the second plurality of interlocking members.

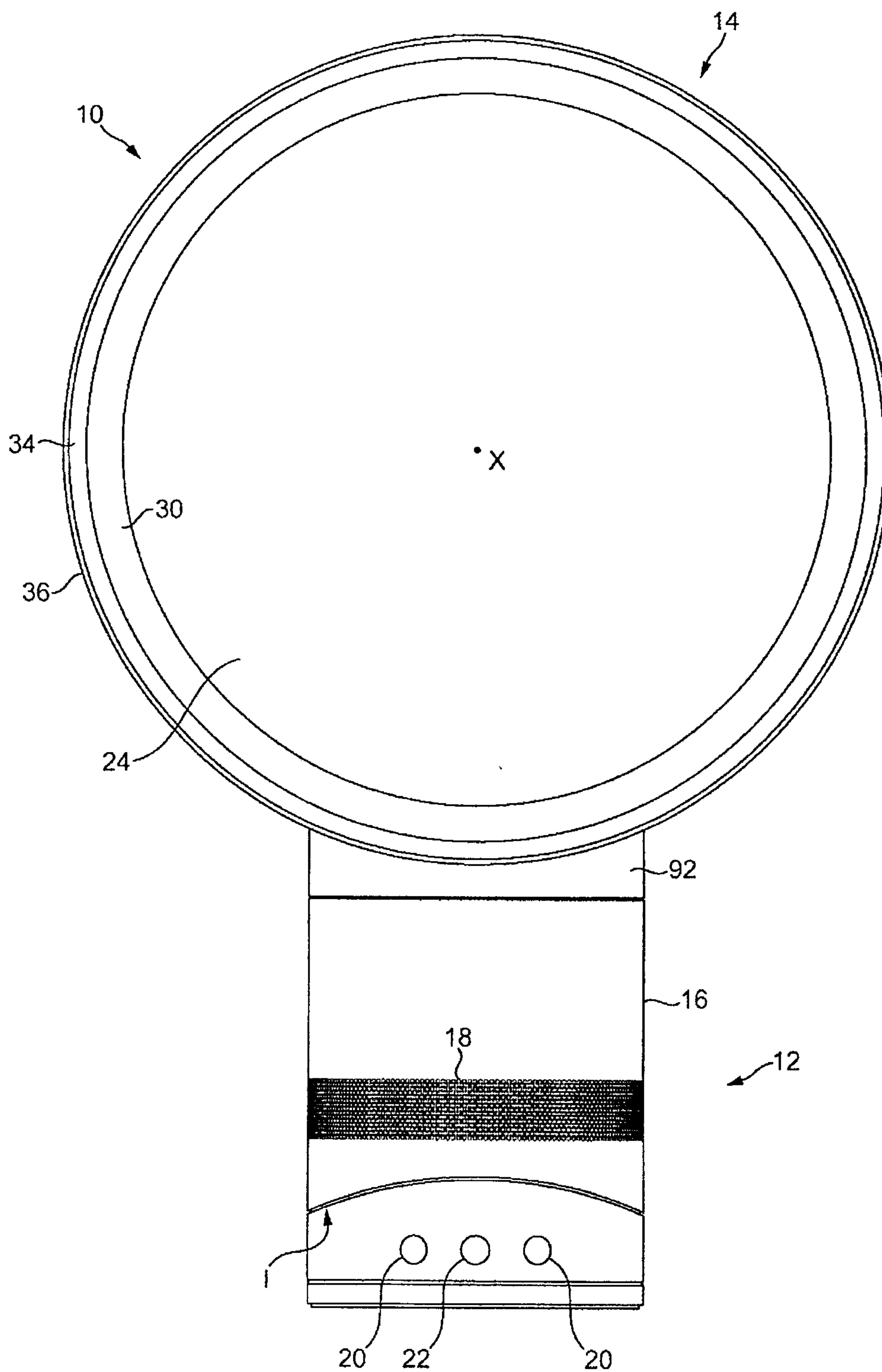


FIG. 1

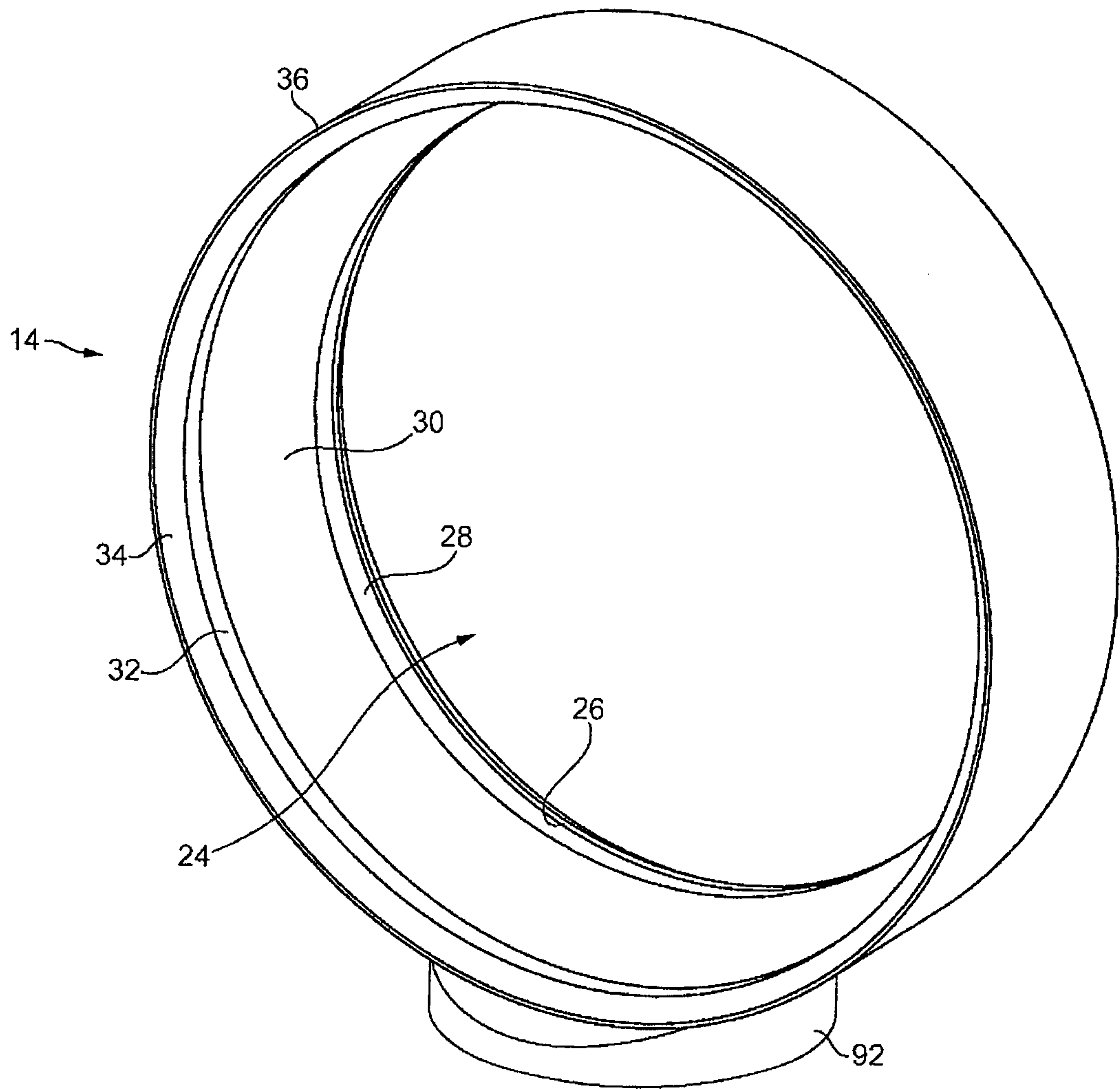


FIG. 2

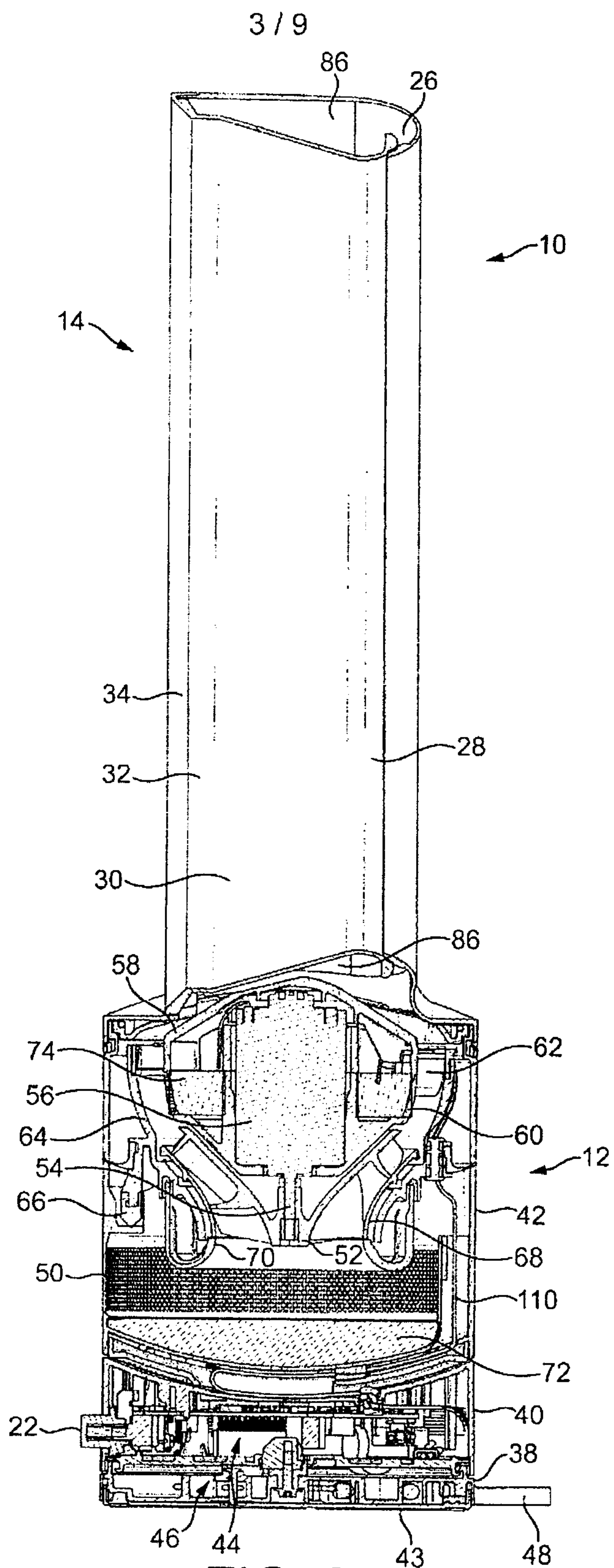


FIG. 3



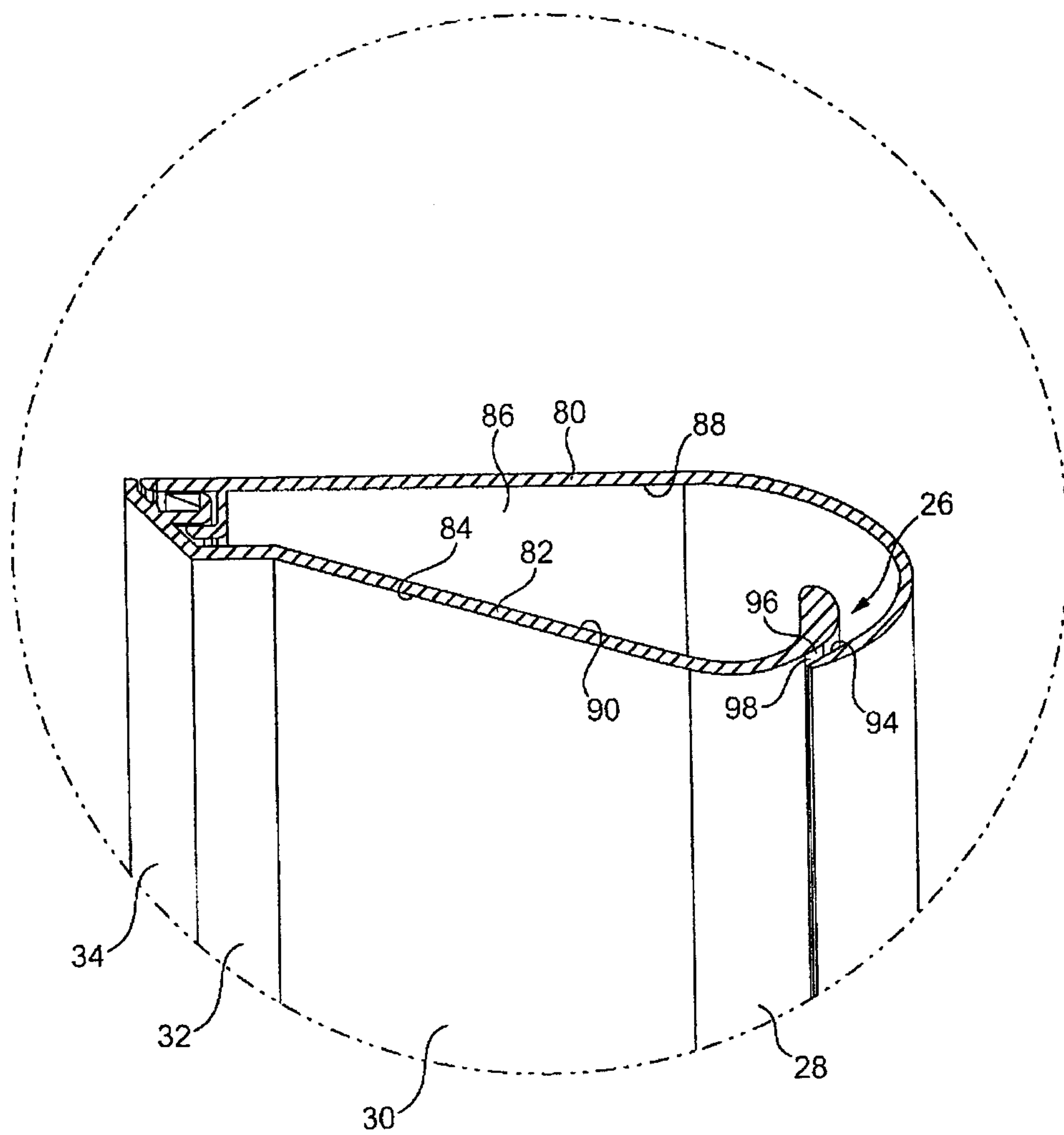


FIG. 4

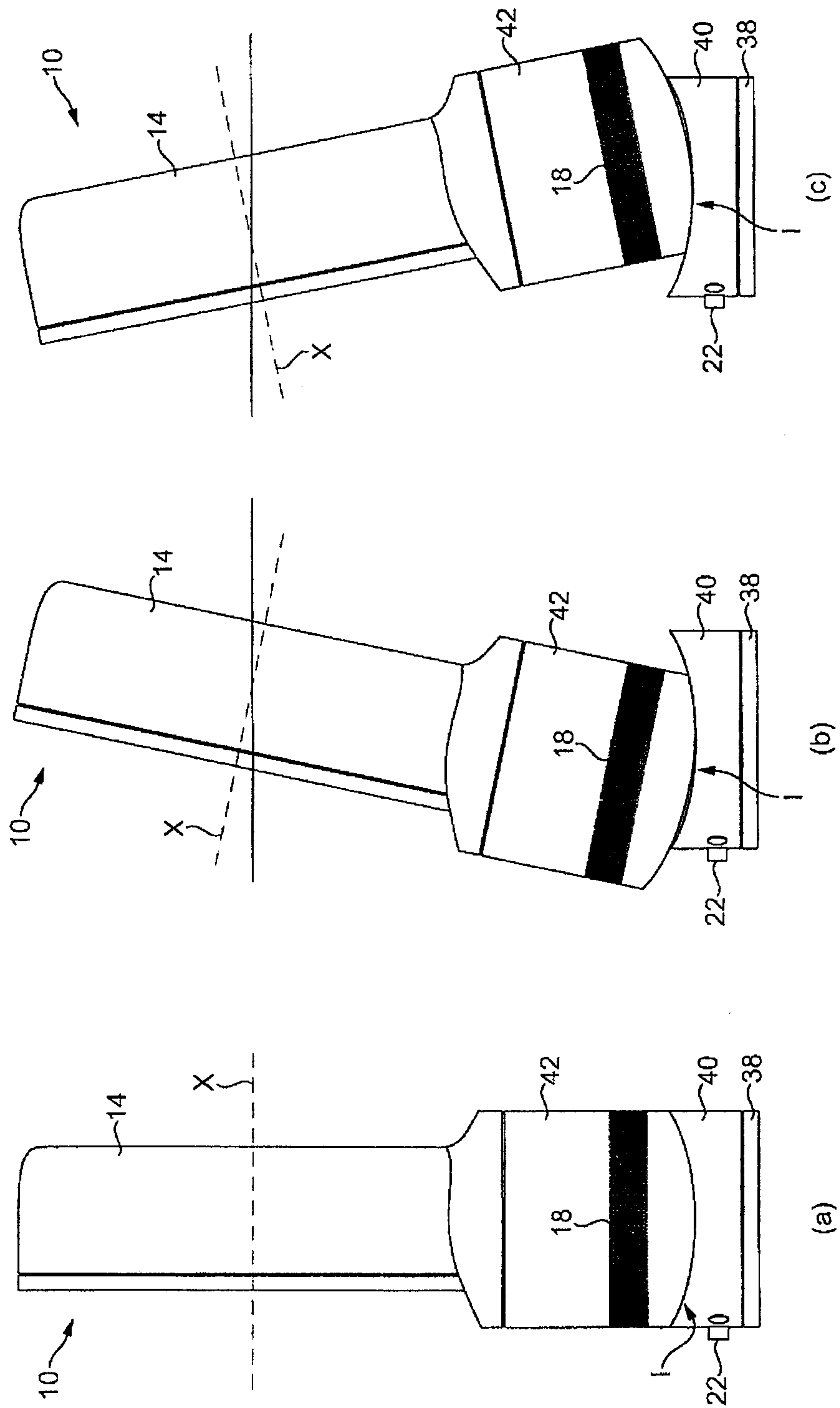


FIG. 5

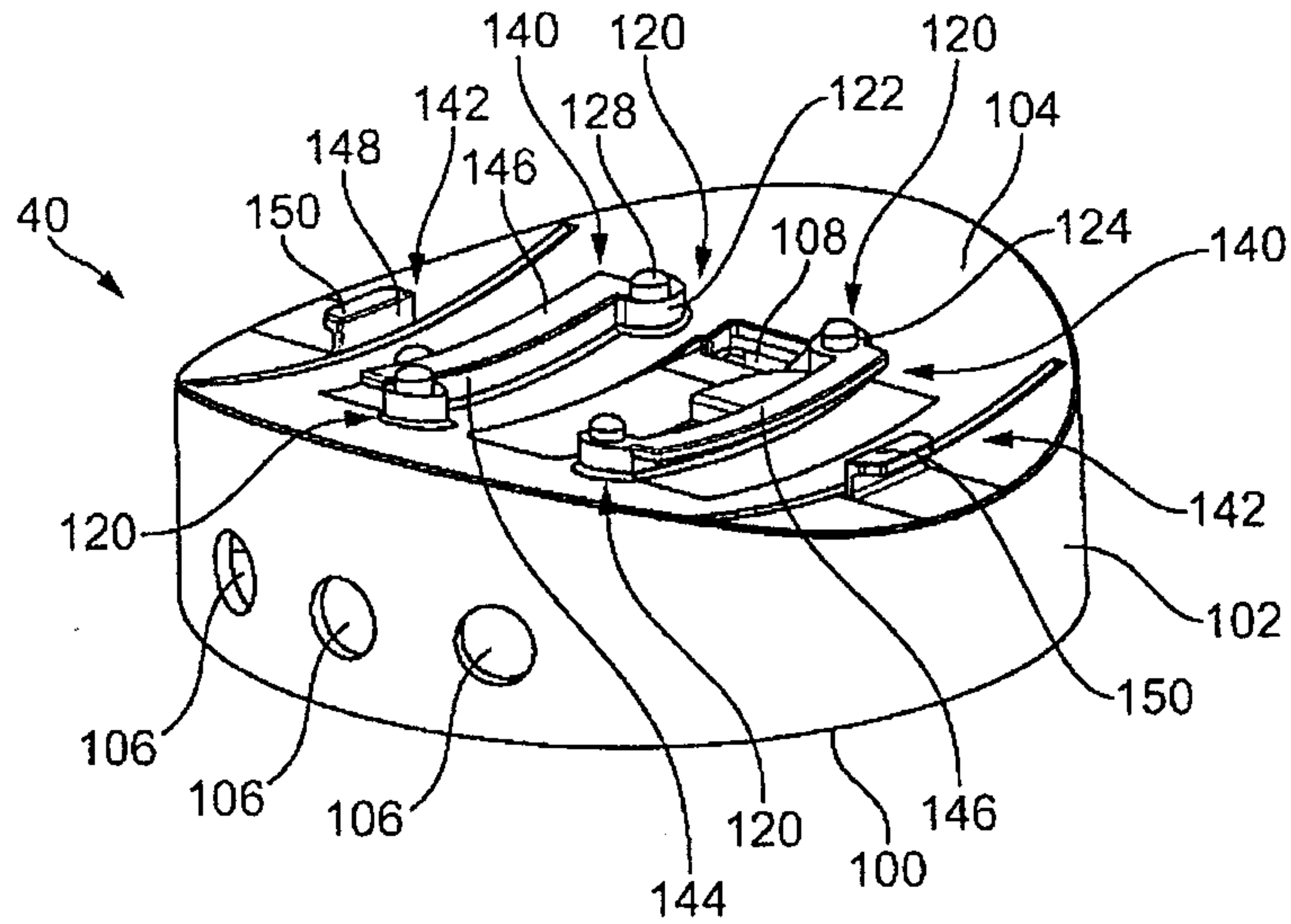


FIG. 6

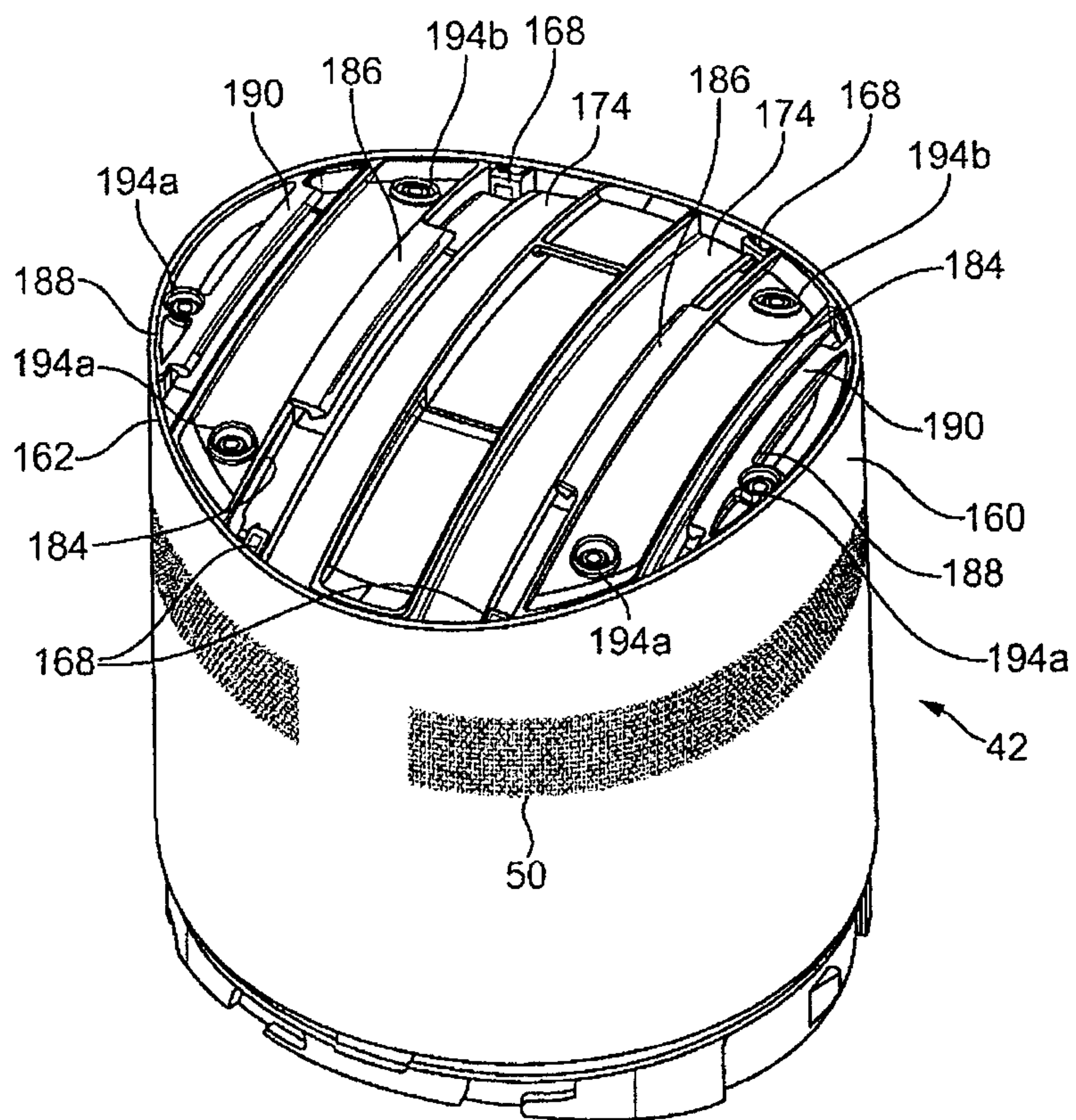


FIG. 7

7 / 9

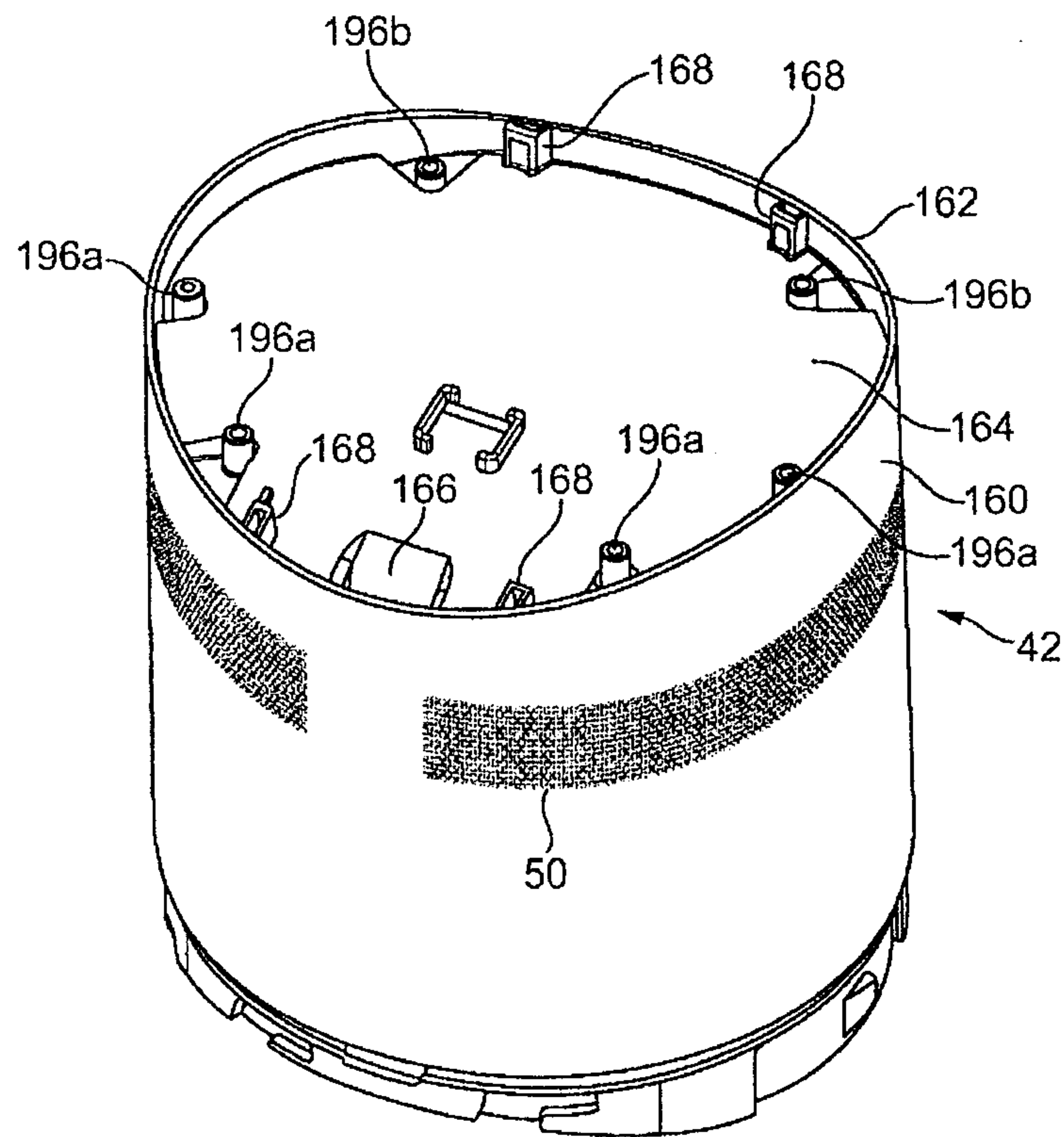
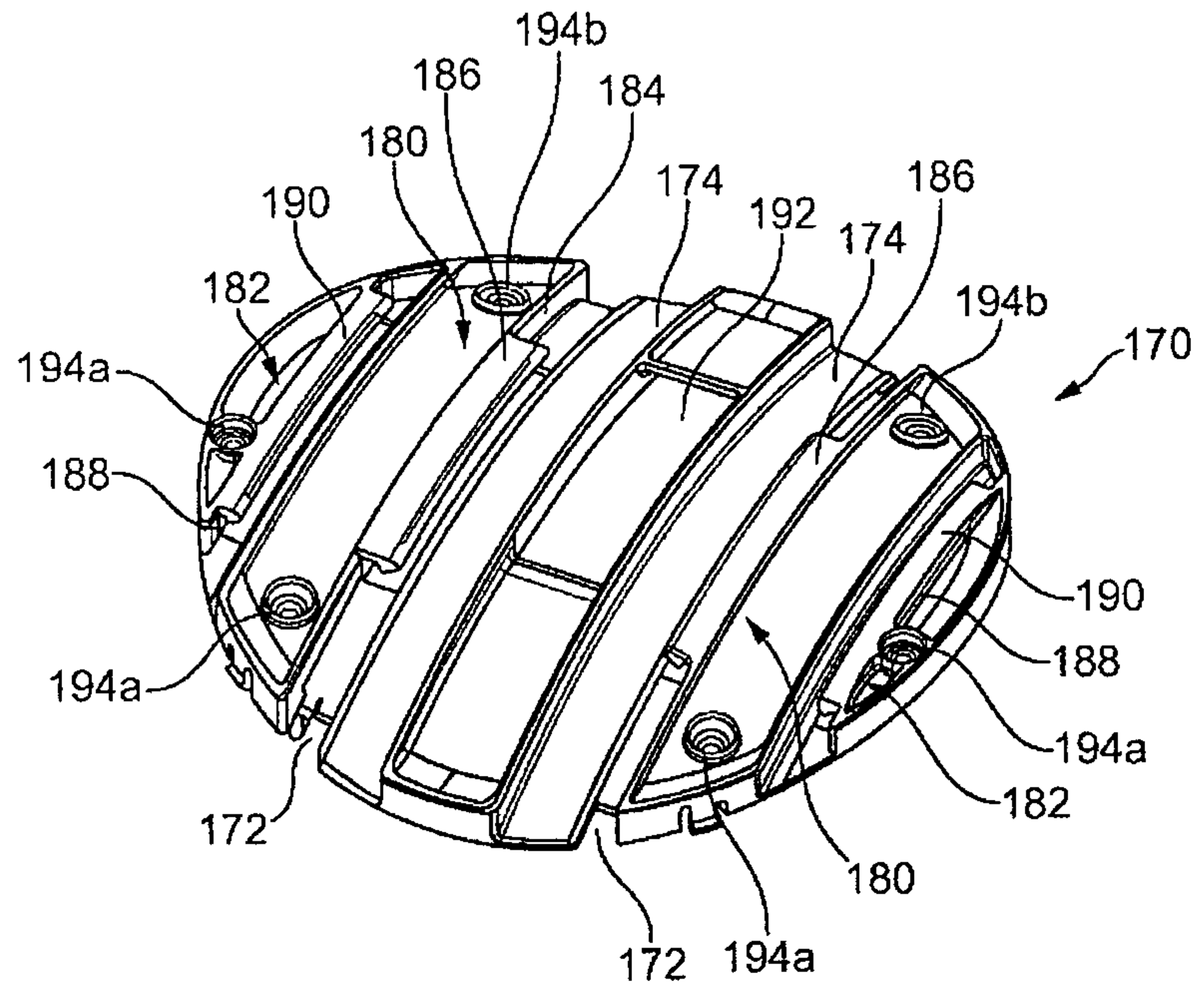


FIG. 8

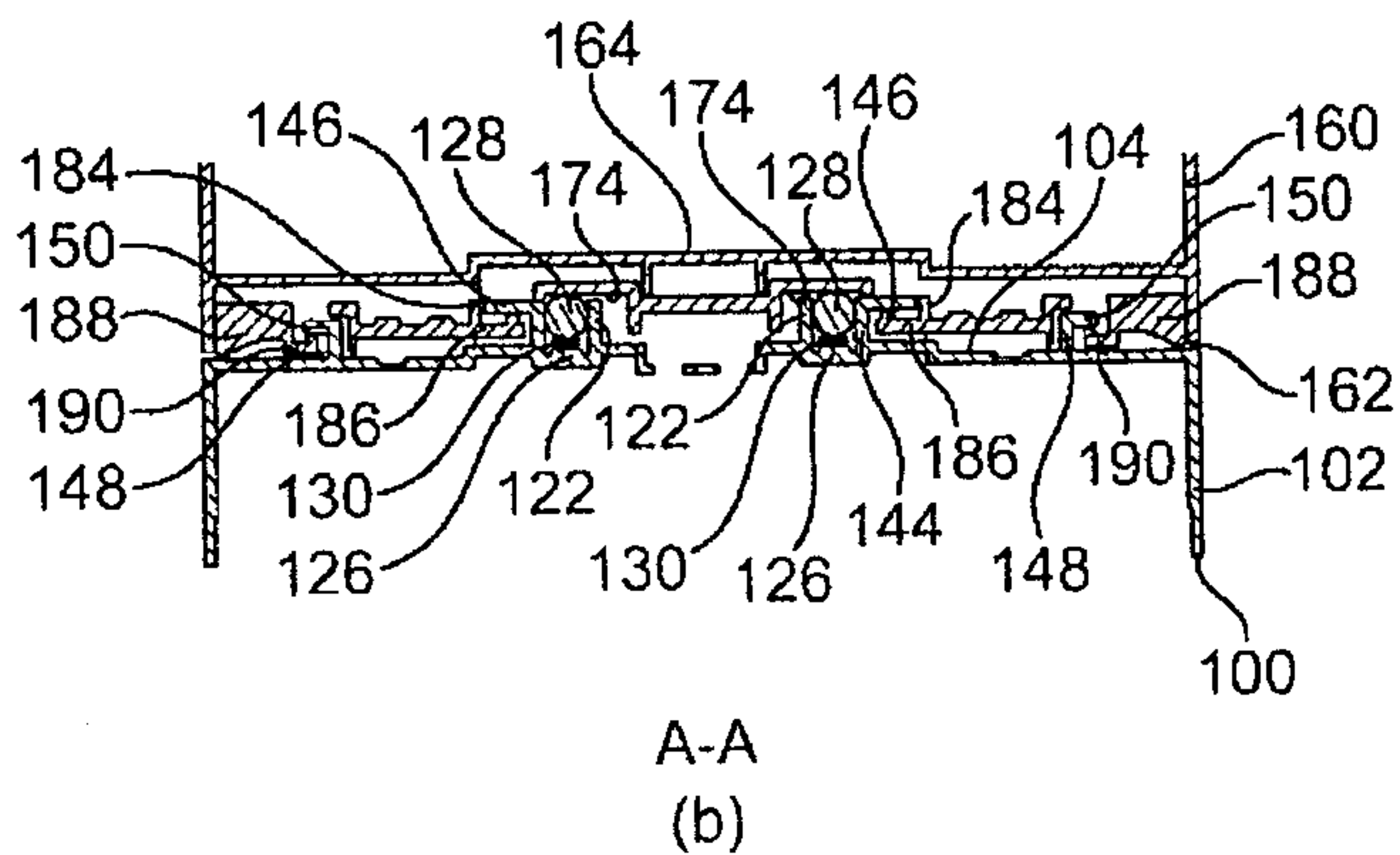
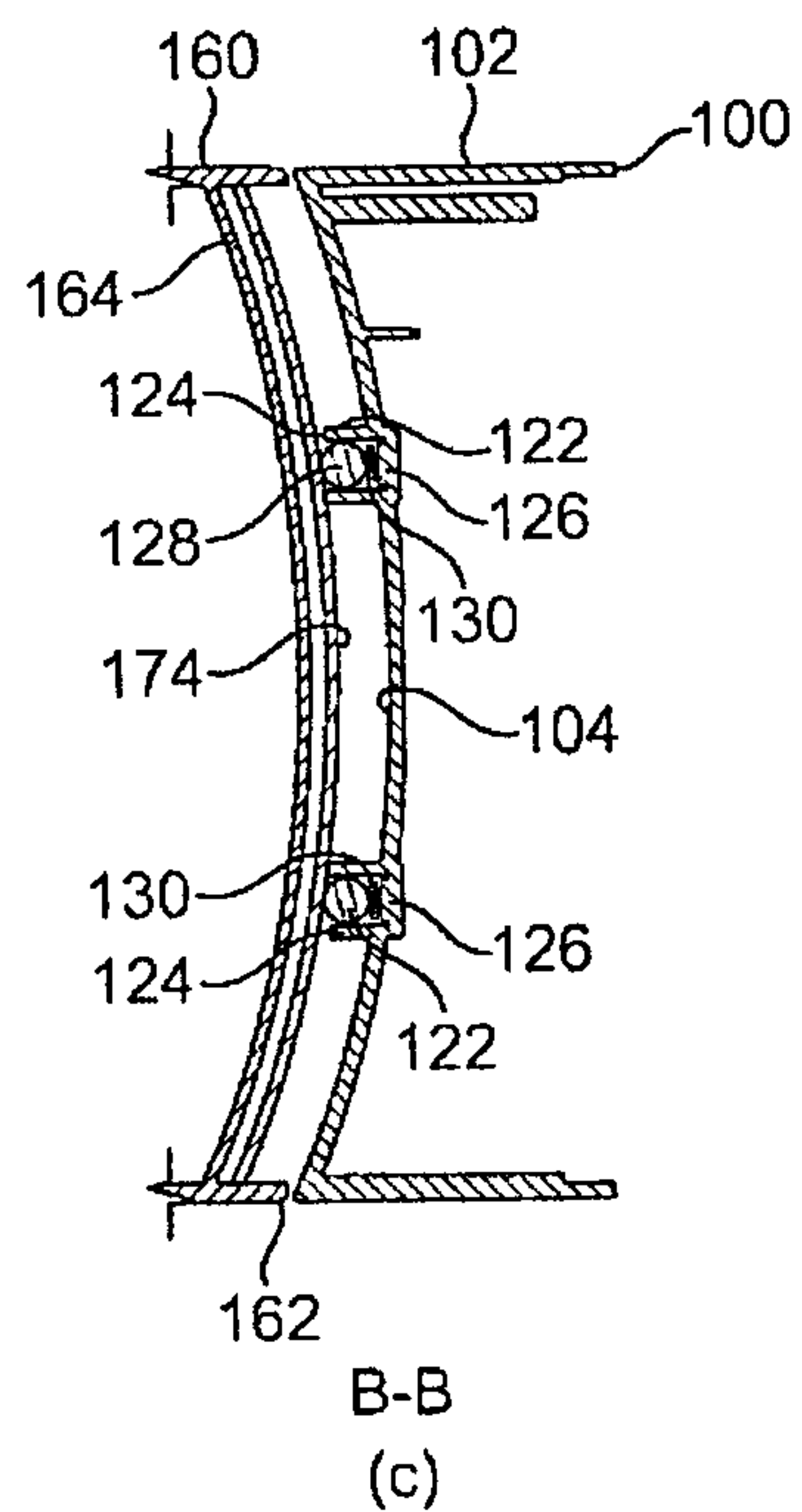
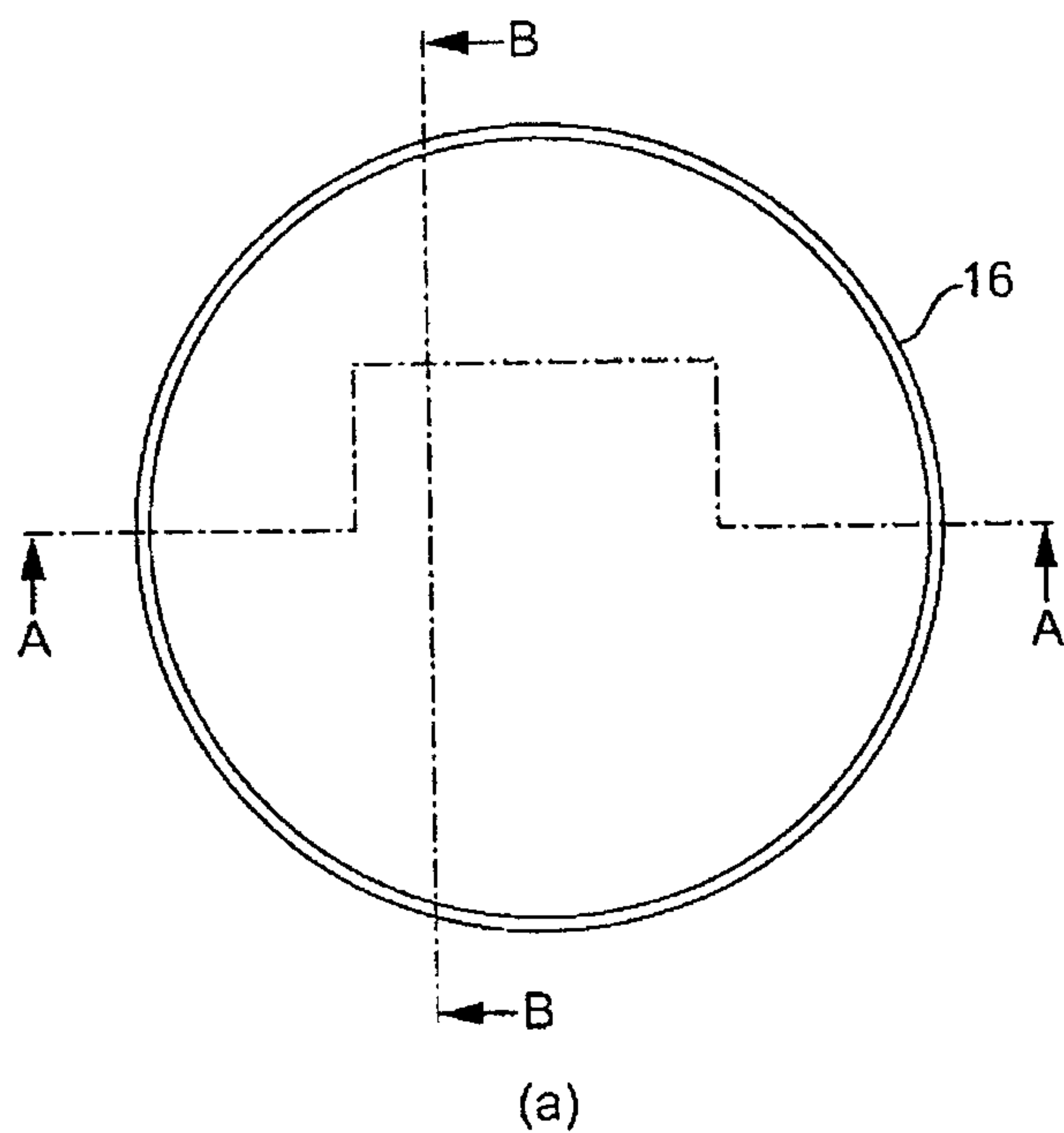


FIG. 9

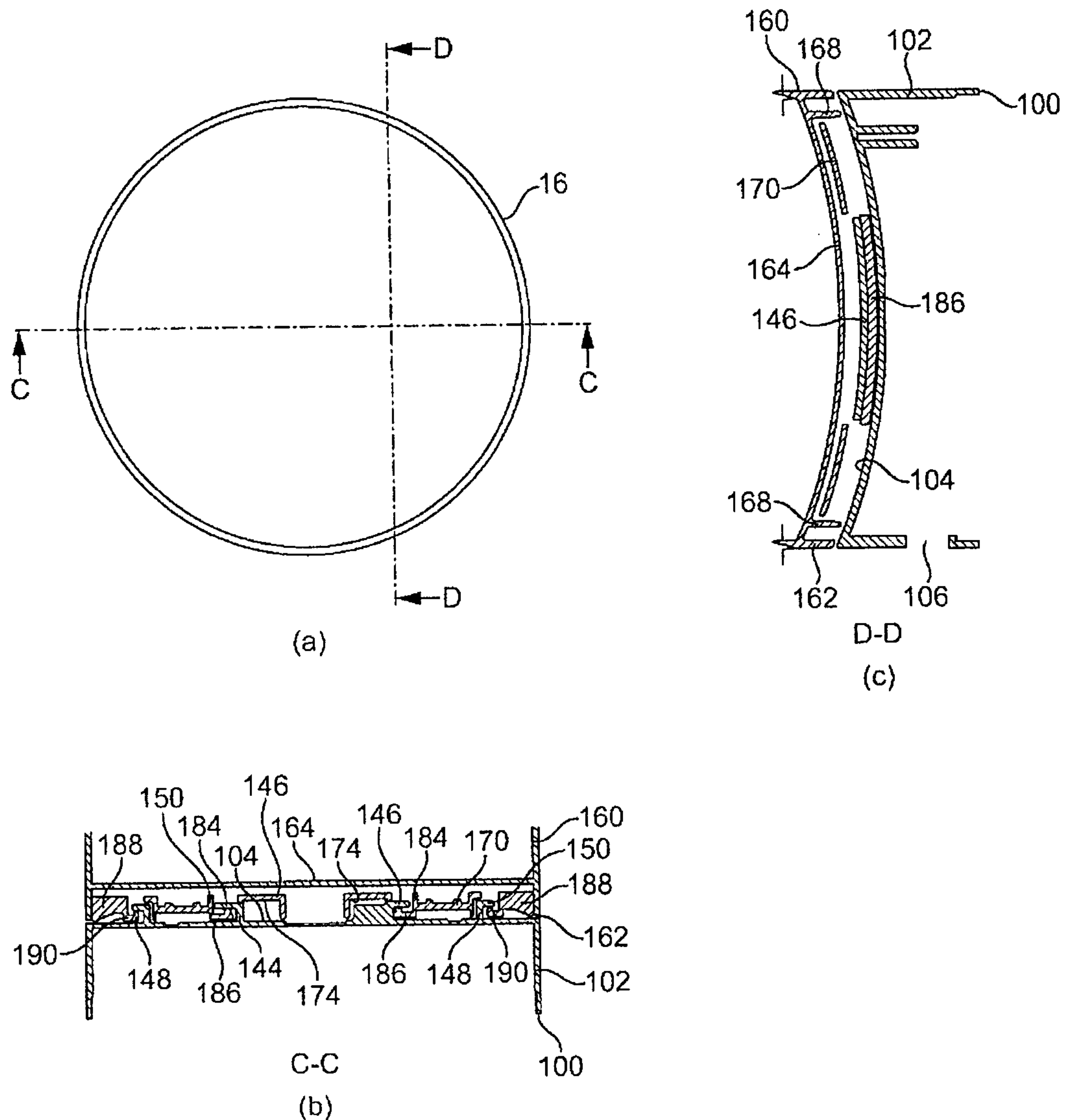
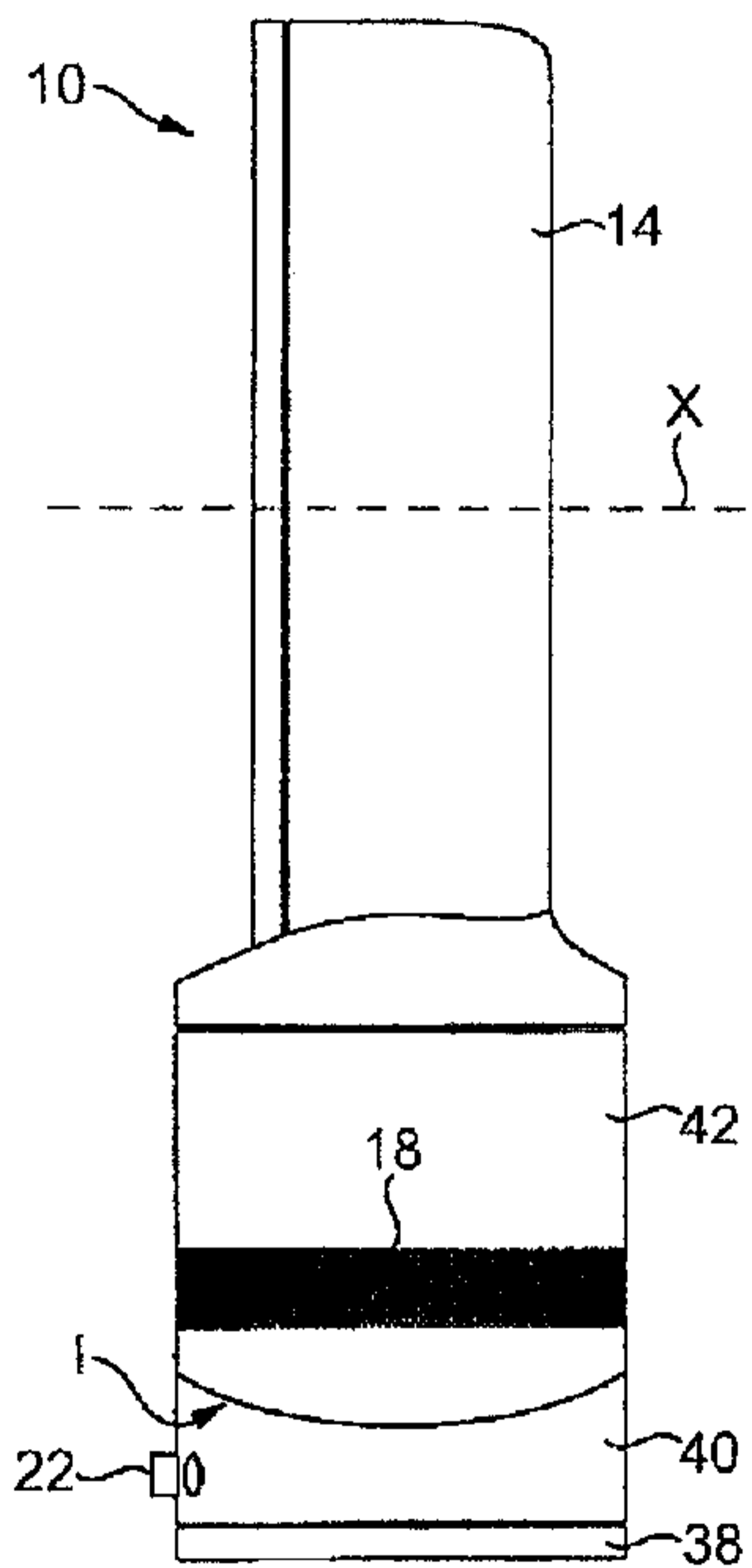
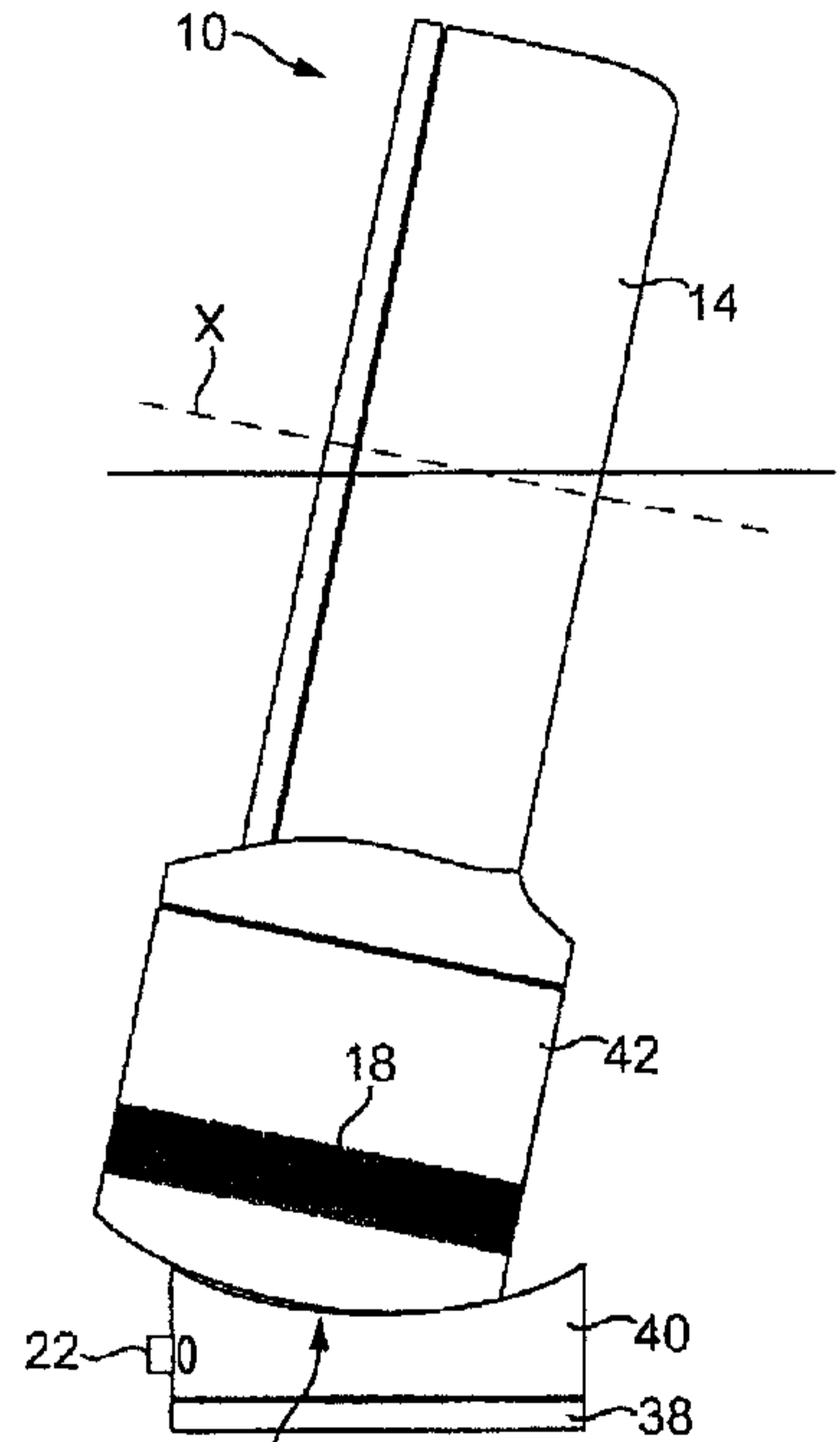


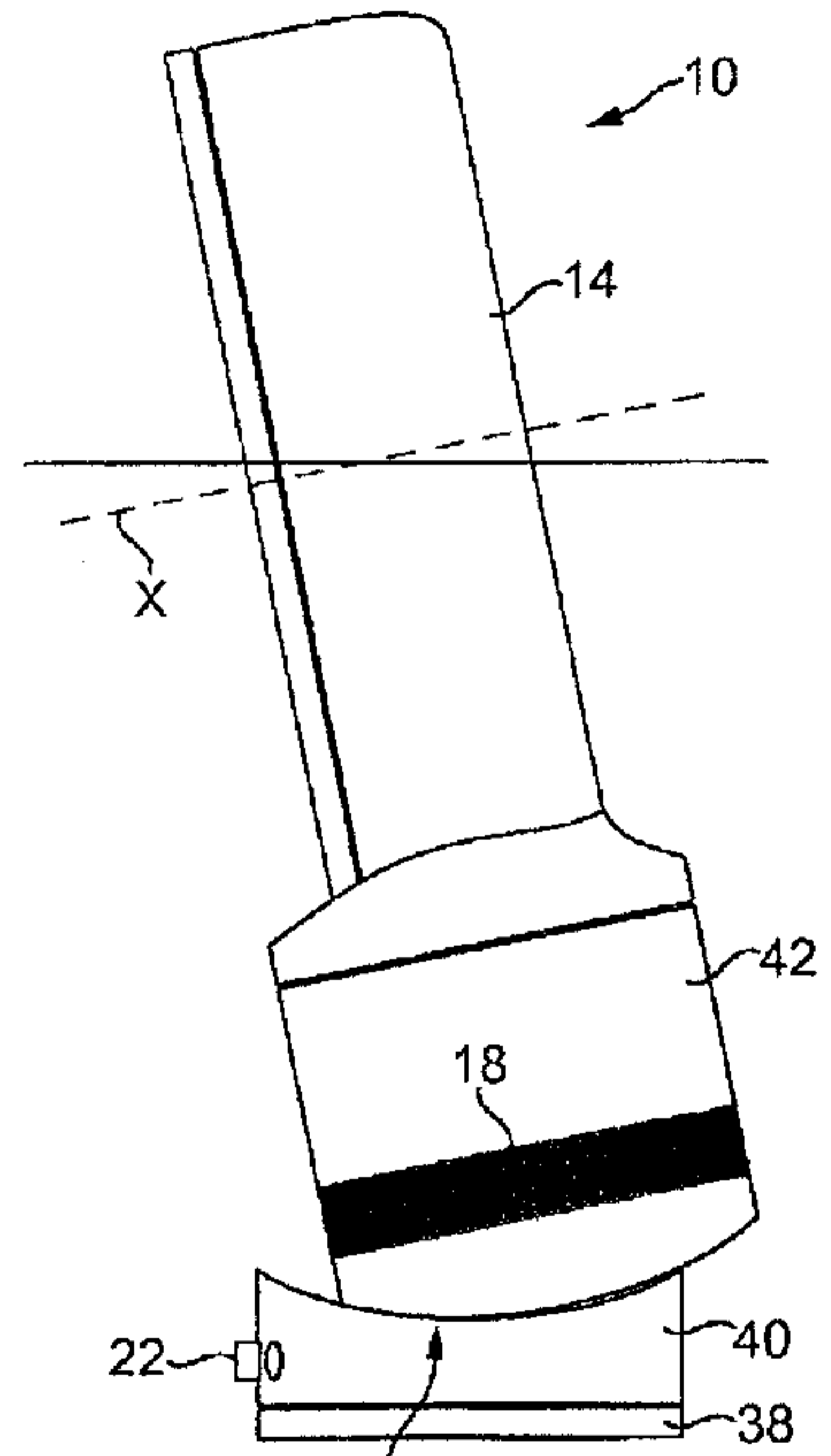
FIG. 10



(a)



(b)



(c)