



US00D815768S

(12) **United States Design Patent** (10) **Patent No.:** **US D815,768 S**  
**Park et al.** (45) **Date of Patent:** **\*\* Apr. 17, 2018**

(54) **HEAD LAMPS FOR VEHICLE**

F21V 21/04; B60Q 1/30; B60Q 1/2607;  
B60Q 1/2696; B62J 6/00; B62J 6/04

See application file for complete search history.

(71) Applicant: **KIA MOTORS CORPORATION,**  
Seoul (KR)

(56) **References Cited**

(72) Inventors: **Yong Woo Park,** Hwaseong-si (KR);  
**Sung Hoon Ahn,** Hwaseong-si (KR)

U.S. PATENT DOCUMENTS

(73) Assignee: **Kia Motors Corporation,** Seoul (KR)

D789,580	S	*	6/2017	Schneider	.....	D26/28
D794,231	S	*	8/2017	Yokoi	.....	D26/28
D794,848	S	*	8/2017	Komuro	.....	D26/28
D794,851	S	*	8/2017	Youn	.....	D26/28
D796,709	S	*	9/2017	Lai	.....	D26/28
D796,715	S	*	9/2017	Lin	.....	D26/28
D797,965	S	*	9/2017	Matsumoto	.....	D26/28
D801,559	S	*	10/2017	Kinoshita	.....	D26/28

(\*\*) Term: **15 Years**

\* cited by examiner

(21) Appl. No.: **35/502,094**

(22) Filed: **Jun. 14, 2016**

*Primary Examiner* — Zenia Bennett

(80) **Hague Agreement Data**

Int. Filing Date: **Jun. 14, 2016**

(74) *Attorney, Agent, or Firm* — Mintz Levin Cohn Ferris  
Glovsky and Popeo, P.C.; Kongsik Kim

Int. Reg. No.: **DM/091332**

Int. Reg. Date: **Jun. 14, 2016**

Int. Reg. Pub. Date: **Dec. 16, 2016**

(57) **CLAIM**

The ornamental design for a head lamps for vehicle, as  
shown and described.

(30) **Foreign Application Priority Data**

**DESCRIPTION**

Jan. 19, 2017 (KR) ..... 30-2015-0064605

(51) **LOC (11) Cl.** ..... **26-06**

(52) **U.S. Cl.**

USPC ..... **D26/28**

(58) **Field of Classification Search**

USPC ..... D26/28-36

CPC ..... F21S 48/00; F21S 48/10; F21S 48/115;

F21S 48/225; F21S 48/1233; F21S

48/1266; F21S 48/1388; F21S 48/2268;

1. Head lamps for vehicle

1.1 : Perspective

1.2 : Front

1.3 : Back

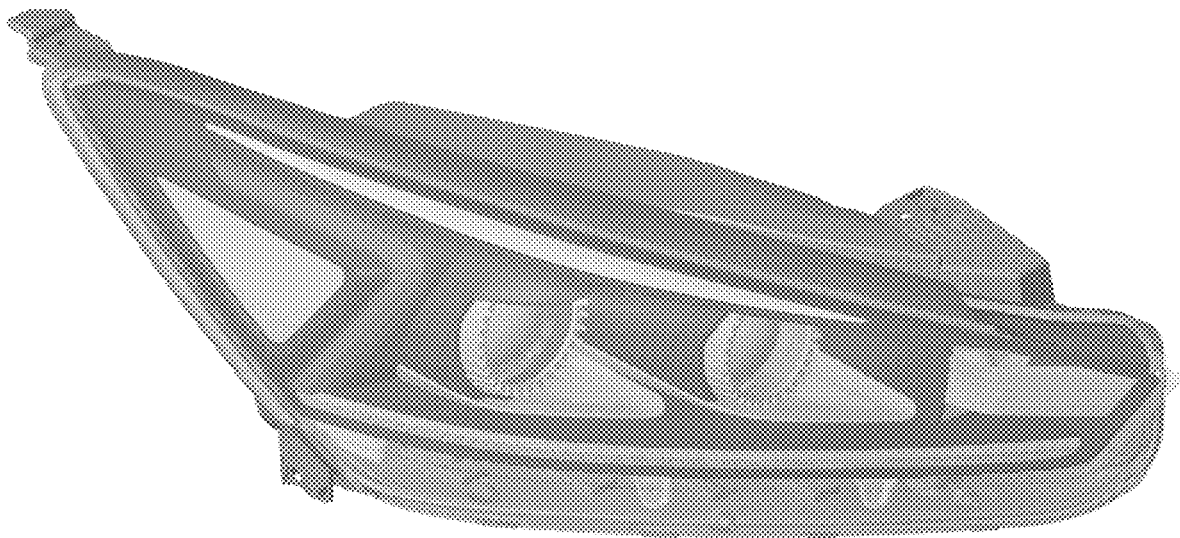
1.4 : Left

1.5 : Right

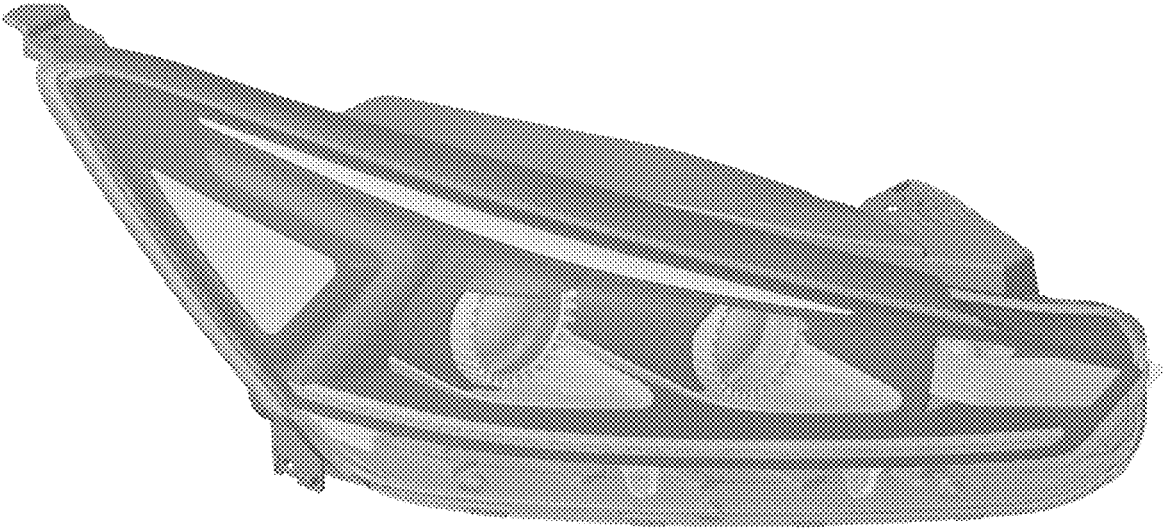
1.6 : Top

1.7 : Bottom

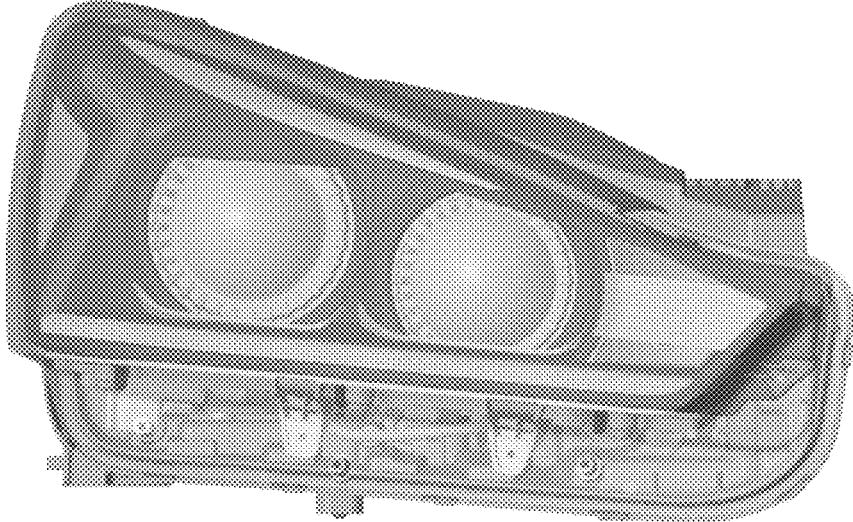
**1 Claim, 7 Drawing Sheets**



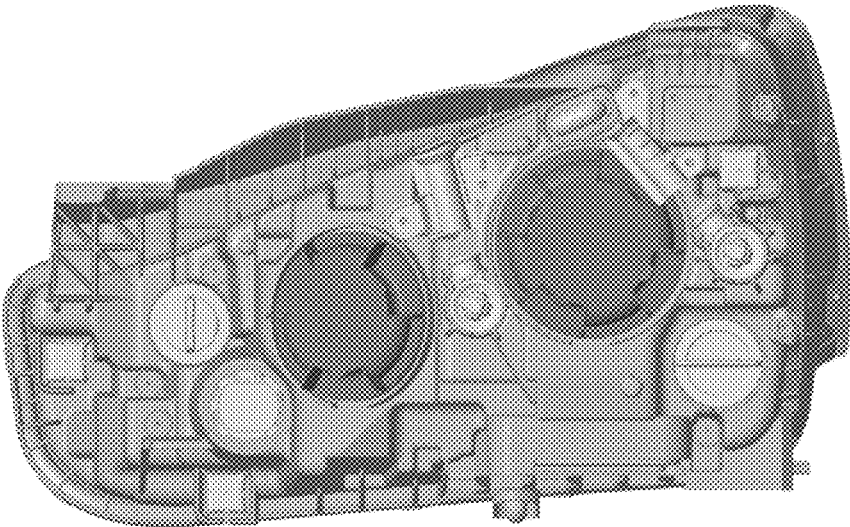
1.1



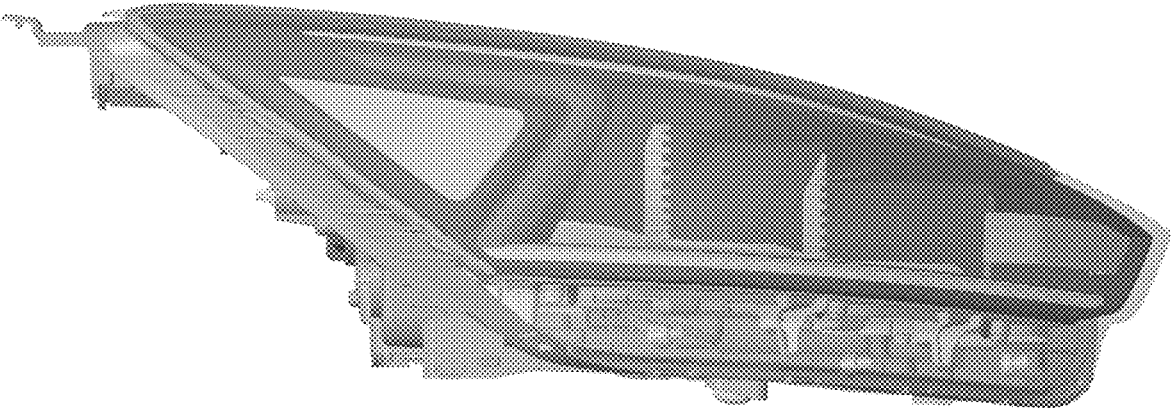
1.2



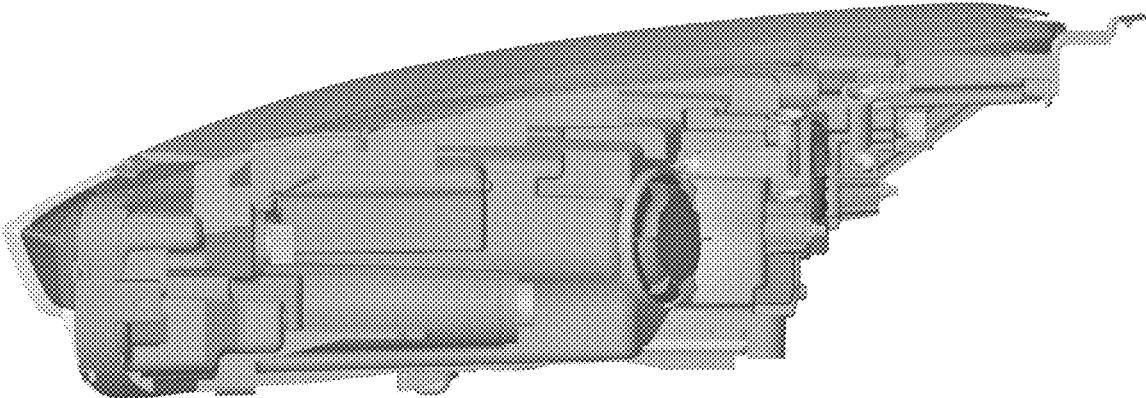
1.3



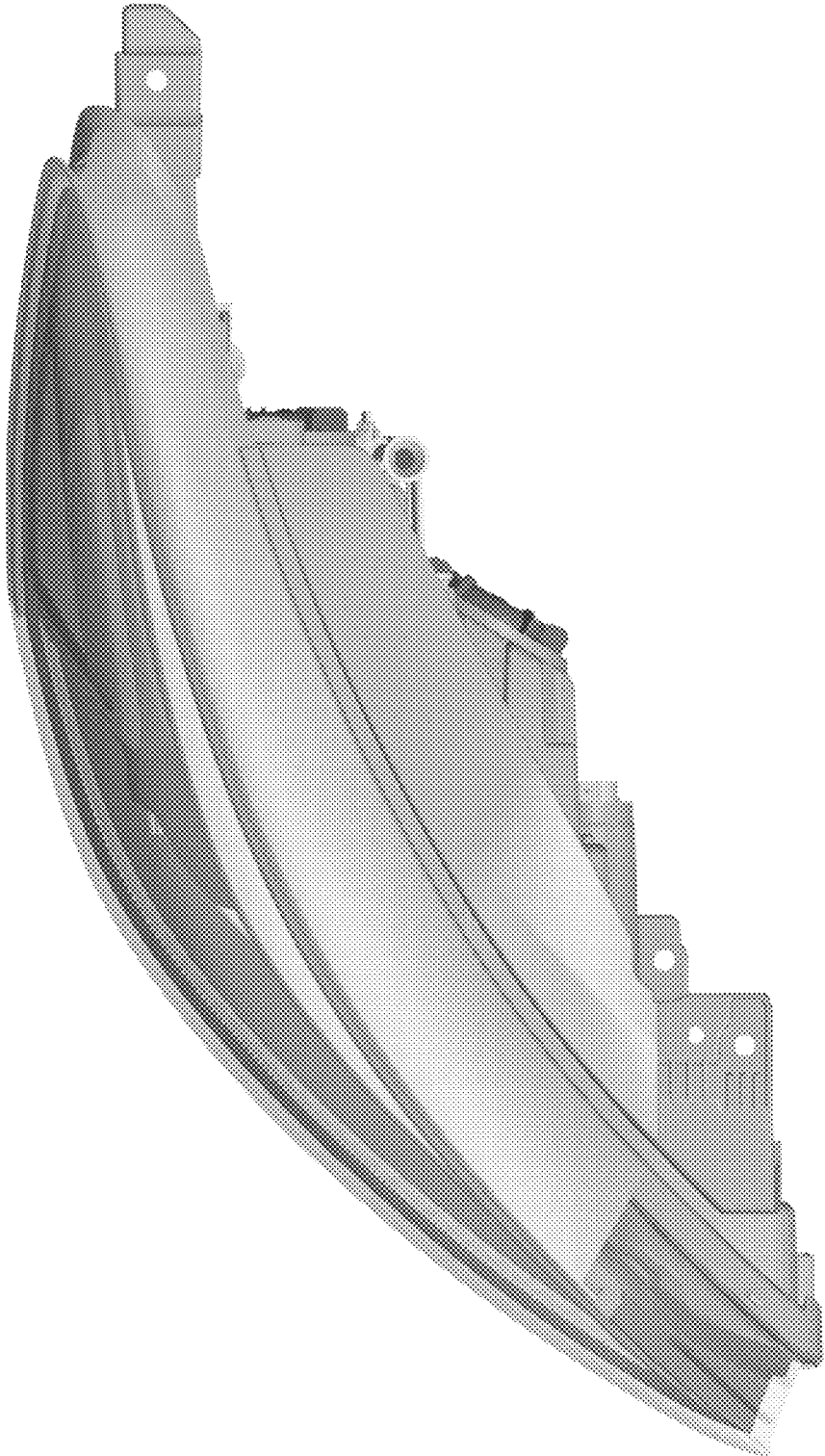
1.4



1.5



1.6



1.7

