



[54] CONFIGURABLE MULTI-PRODUCT ELECTRONICS ENCLOSURE

[75] Inventors: Michael J. Antonczak, Aptos; Philip G. Yurkonis, Campbell; Michael S. Dann, Mountain View; Paul S. Montgomery; Herbert H. F. Pfeifer, both of San Francisco; James G. Ammon, San Jose, all of Calif.

[73] Assignee: Sun Microsystems, Inc., Mountain View, Calif.

[**] Term: 14 Years

[21] Appl. No.: 8,431

[22] Filed: May 10, 1993

[52] U.S. Cl. D13/184

[58] Field of Search D13/184; D14/107, D14/101; 361/724, 725, 727, 728, 729

[56] References Cited

U.S. PATENT DOCUMENTS

Table with 4 columns: Patent No., Date, Inventor, and Class No. listing various U.S. patents such as D. 273,865, D. 299,651, etc.

OTHER PUBLICATIONS

Japanese application 758798 filed Jan. 1985. SPARCstation 10 marketing brochure. Printed Nov. 1992.

Primary Examiner—Joel Sincavage Attorney, Agent, or Firm—Erwin J. Basinski

[57] CLAIM

The ornamental design for a configurable multi-product electronics enclosure, as shown and described.

DESCRIPTION

FIG. 1 is a front and upper right perspective view of a configurable multi-product electronics enclosure showing the first embodiment of our new design;

FIG. 2 is a front elevation view of a configurable multi-product electronics enclosure showing the second embodiment our new design. All other plan and elevation views are the same as the first embodiment;

FIG. 3 is a front elevation view of the first embodiment;

FIG. 4 is a front elevation view of a configurable multi-product electronics enclosure showing the third embodiment our new design. All other plan and elevation views are the same as the first embodiment;

FIG. 5 is a right side elevation view of the first embodiment, the left side being a mirror image;

FIG. 6 is a rear elevation view of the first embodiment;

FIG. 7 is a rear elevation view of a configurable multi-product electronics enclosure showing the fourth embodiment our new design. All other plan and elevation views are the same as the first embodiment;

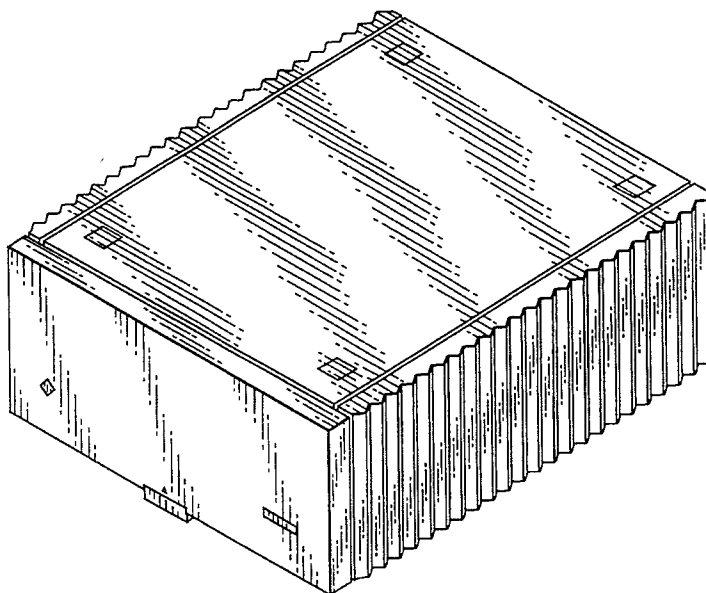
FIG. 8 is a top plan view of the first embodiment;

FIG. 9 is a bottom plan view of the first embodiment;

FIG. 10 is a rear and upper left perspective view of the first embodiment; and,

FIG. 11 is a rear and upper left perspective view of the fourth embodiment.

1 Claim, 8 Drawing Sheets



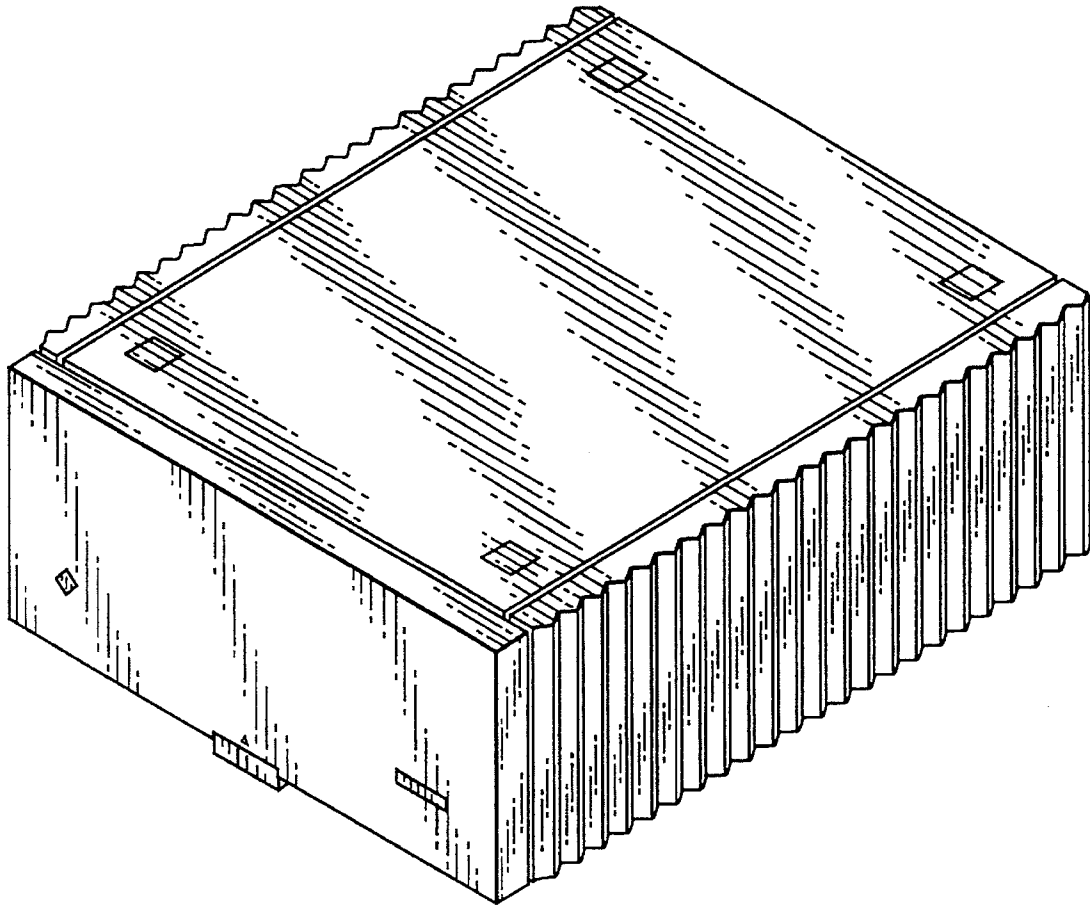


FIG. 1

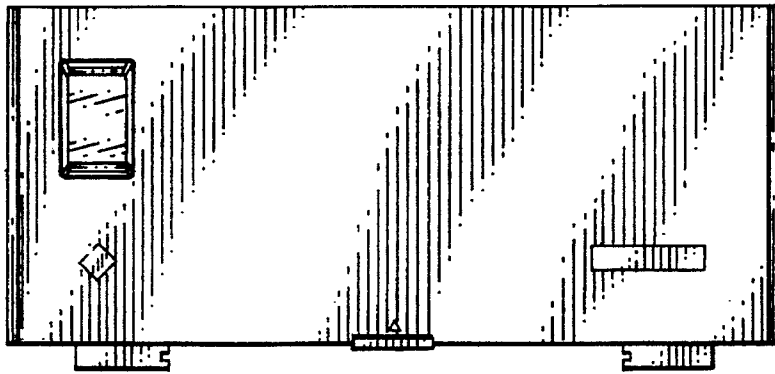


FIG. 2

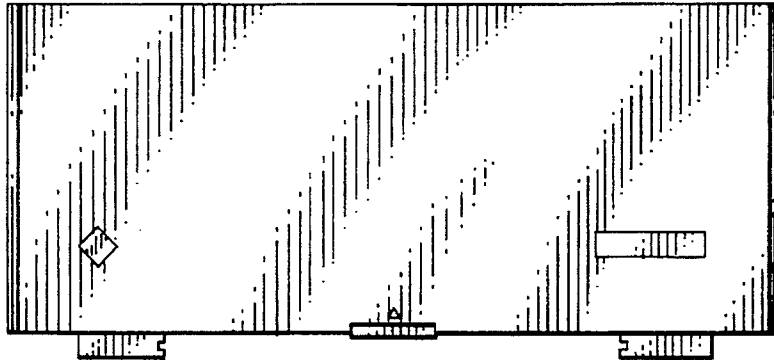


FIG. 3

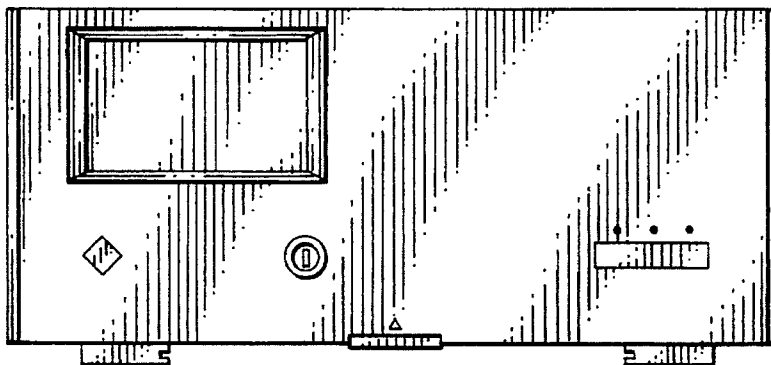


FIG. 4

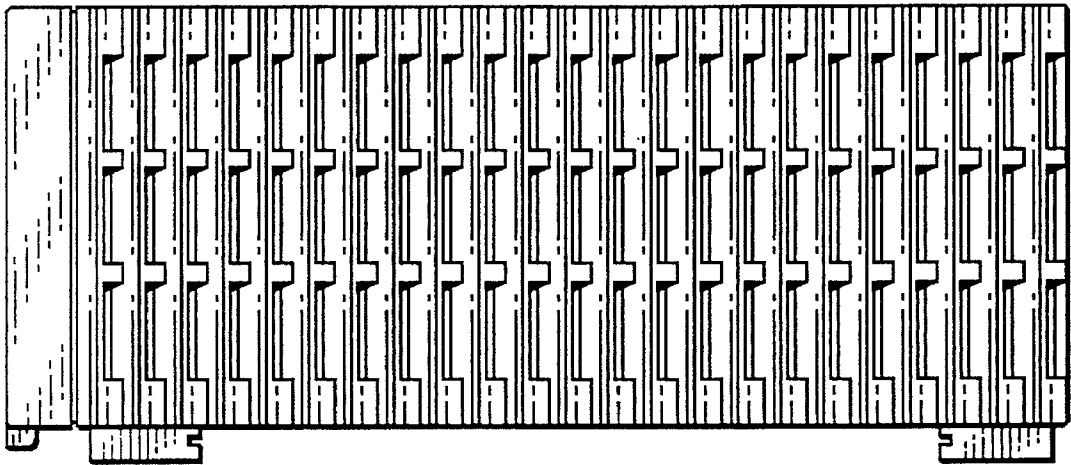


FIG 5

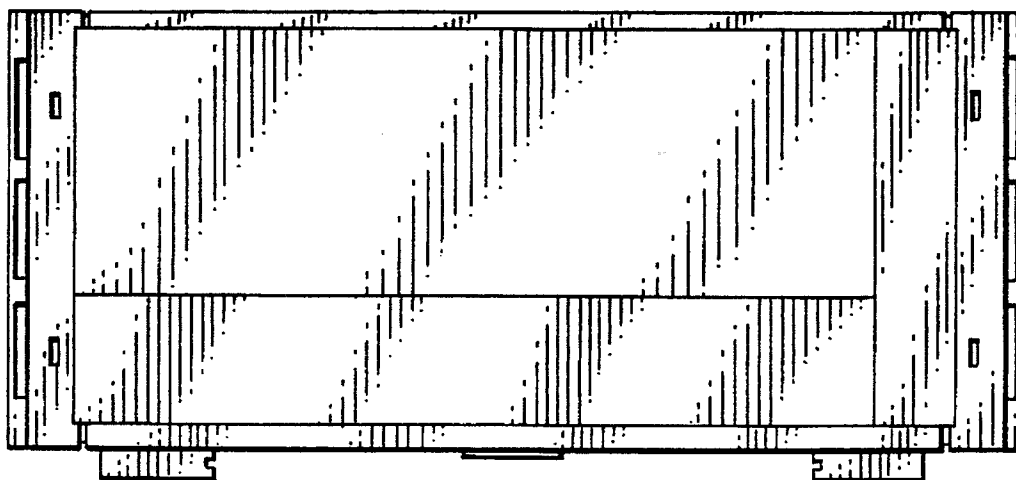


FIG 6

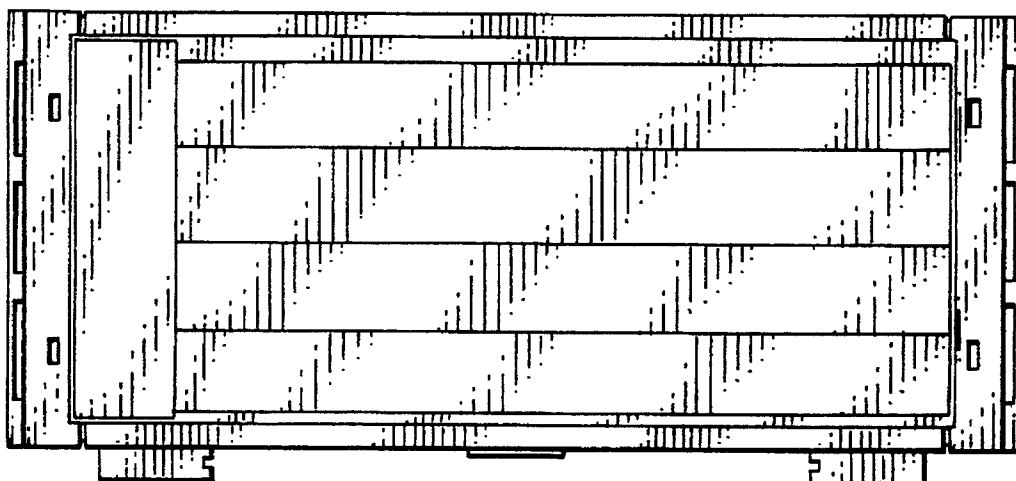


FIG 7

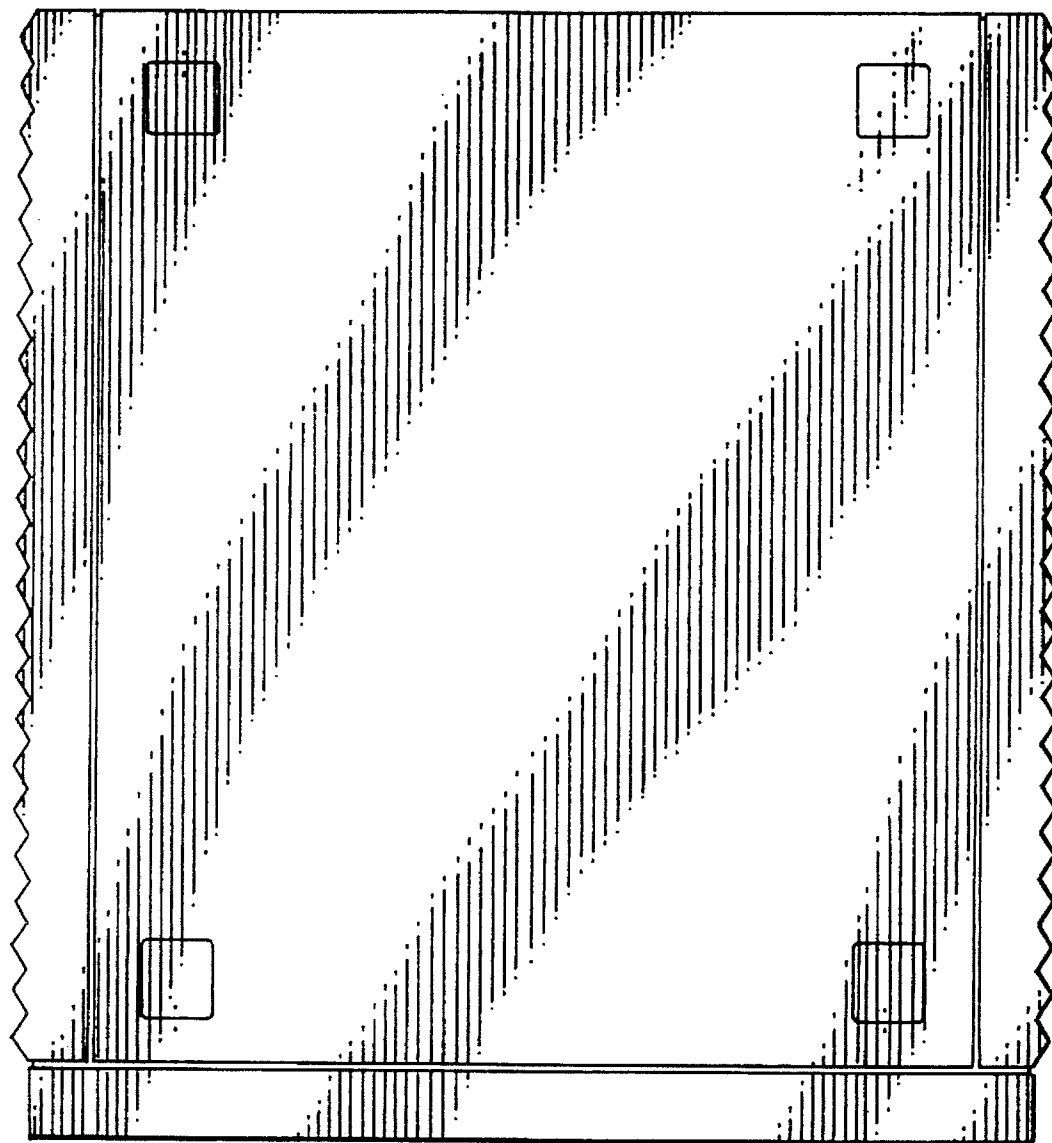


FIG 8

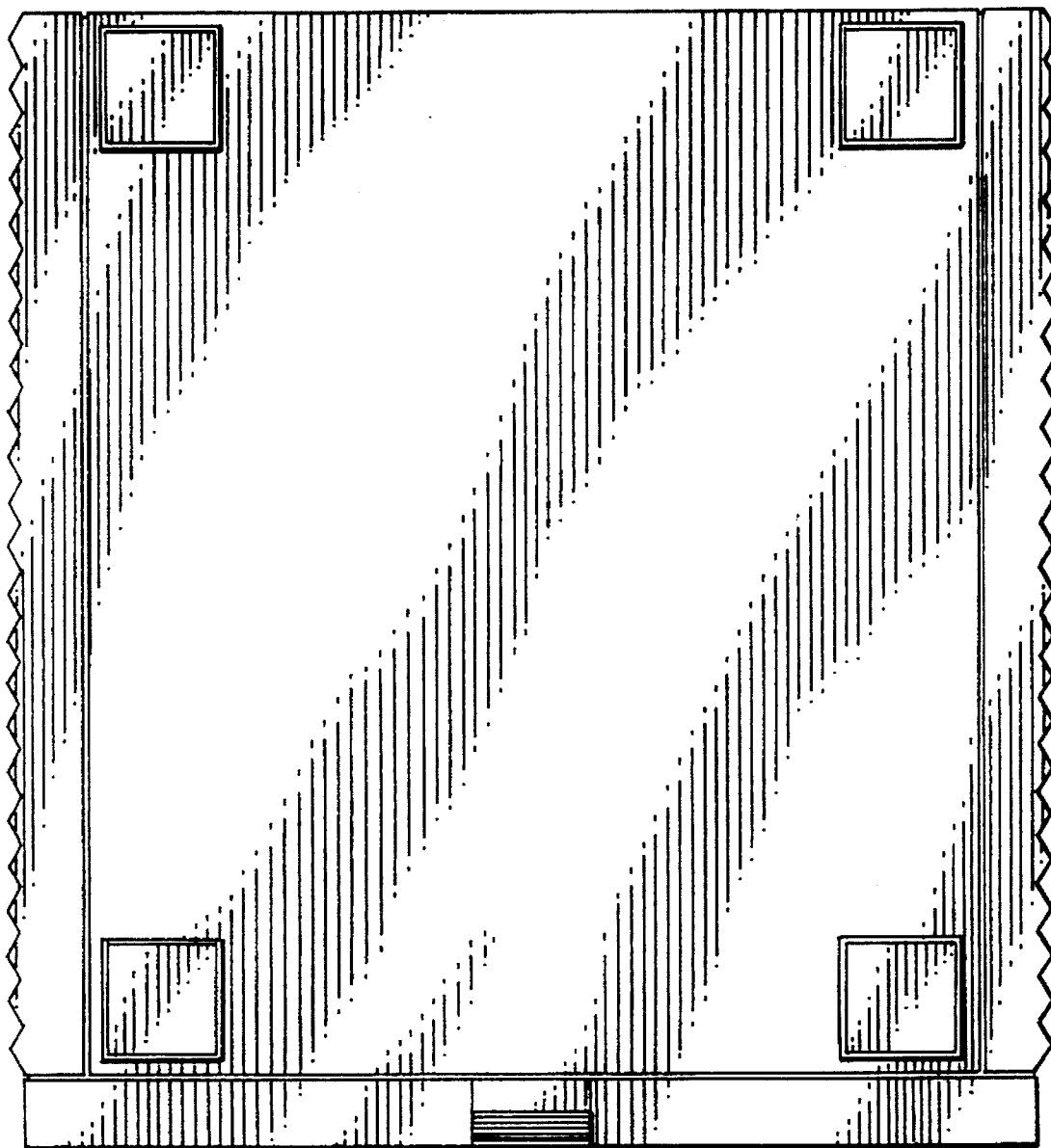


FIG 9

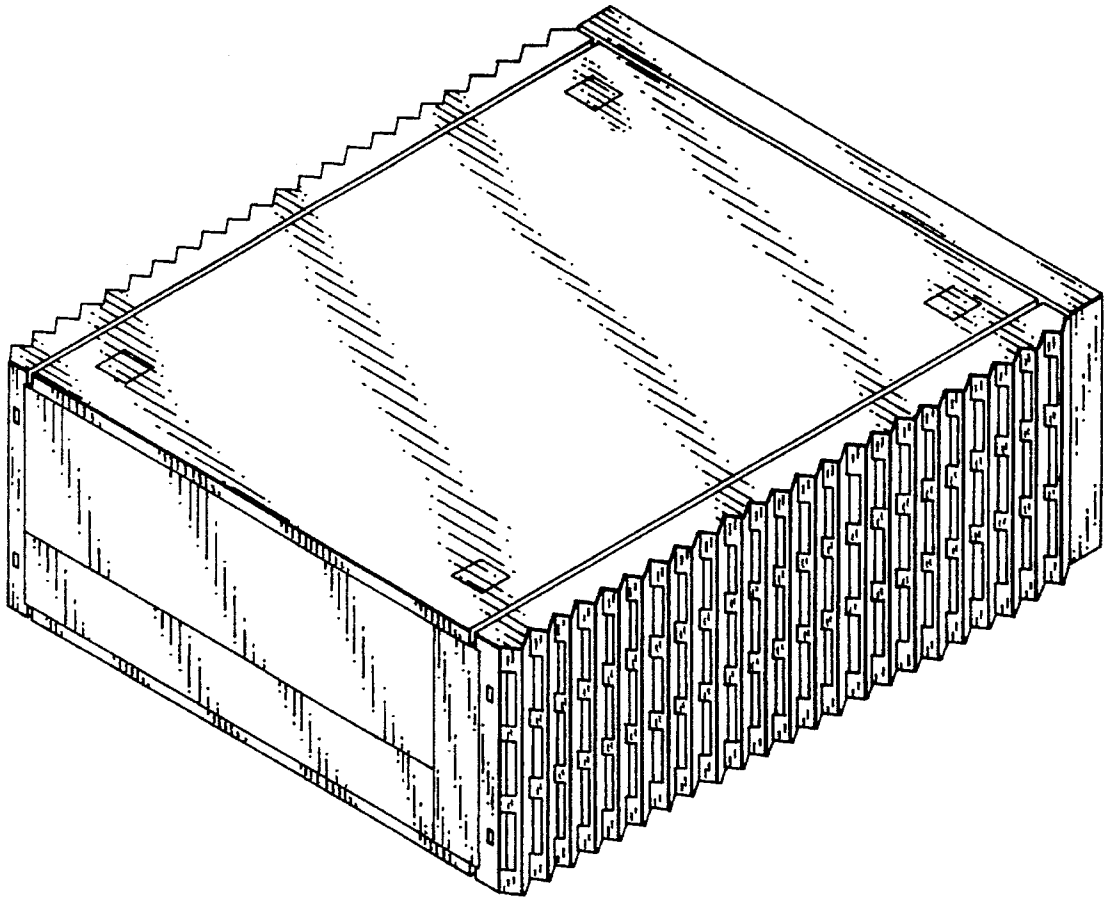


FIG 10

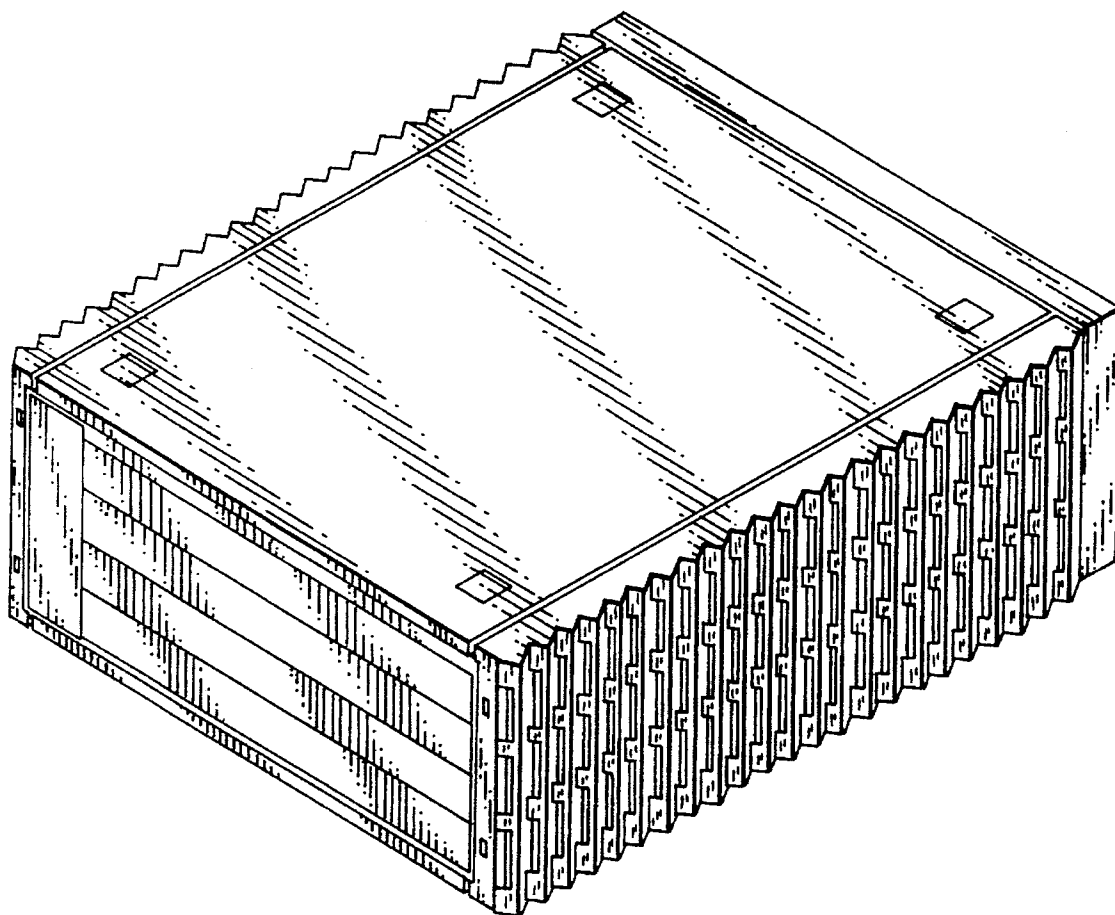


FIG. 11