



US00D745806S

(12) **United States Design Patent**
Hand

(10) **Patent No.:** **US D745,806 S**

(45) **Date of Patent:** **** *Dec. 22, 2015**

(54) **FOOD SERVER**

(71) Applicant: **Columbia Insurance Company,**
Omaha, NE (US)

(72) Inventor: **James C. Hand,** Glen Ellyn, IL (US)

(73) Assignee: **Columbia Insurance Company,**
Omaha, NE (US)

(*) Notice: This patent is subject to a terminal disclaimer.

(**) Term: **14 Years**

(21) Appl. No.: **29/472,674**

(22) Filed: **Nov. 14, 2013**

(51) **LOC (10) Cl.** **07-01**

(52) **U.S. Cl.**
USPC **D7/549**

(58) **Field of Classification Search**

USPC D7/549, 500, 541, 543, 550.1,
D7/553.1-553.2, 555, 587, 601-602, 629,
D7/701, 703, 705; D9/414-425, 430-432,
D9/737, 744, 761; 206/557-558, 561, 527;
220/500, 553, 555-556, 575, 660, 662,
220/669-673, 675
CPC A47J 27/12; A47J 36/24; A47J 36/2405;
A47J 43/00; A47J 47/00; A47J 47/02; A47J
47/14; A47J 47/145; A47G 19/30; A47G
19/265; A47G 19/32

See application file for complete search history.

(56) **References Cited**

U.S. PATENT DOCUMENTS

1,429,207 A 9/1922 Koppelman et al.
1,543,443 A 6/1925 Koppelman
D112,168 S 11/1938 Bennet
2,634,039 A 4/1953 Schwertfeger
3,130,288 A 4/1964 Monaco et al.

3,307,603 A 3/1967 Swett
D216,186 S 12/1969 Edwards
3,484,035 A 12/1969 Swett
3,493,164 A 2/1970 Edwards
D219,673 S 1/1971 Daenen
3,710,589 A 1/1973 Brown et al.
D229,916 S 1/1974 Schneider
3,859,819 A 1/1975 Kaplan
3,920,178 A 11/1975 Moller

(Continued)

FOREIGN PATENT DOCUMENTS

DE 3907292 2/1990
WO W08702336 4/1987

(Continued)

OTHER PUBLICATIONS

Co-pending U.S. Appl. No. 29/472,670 for "Food Server" filed Nov. 14, 2013.

(Continued)

Primary Examiner — Wan Laymon

Assistant Examiner — Mark Booker

(74) *Attorney, Agent, or Firm* — Neal, Gerber & Eisenberg, LLP

(57) **CLAIM**

The ornamental design for a food server, as shown and described.

DESCRIPTION

FIG. 1 is a top perspective view of the food server of the present invention;

FIG. 2 is a first side elevational view thereof;

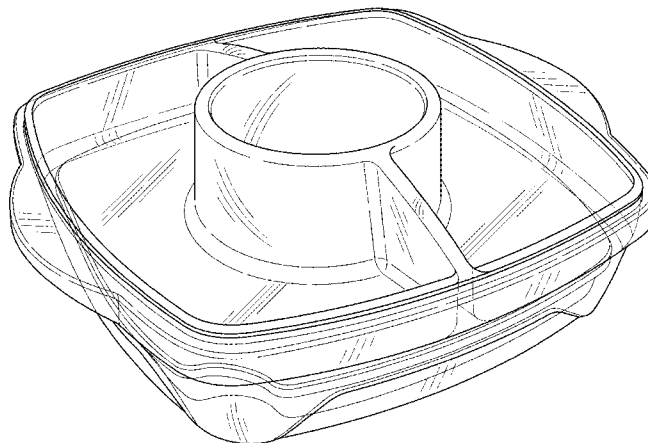
FIG. 3 is a second side elevational view thereof;

FIG. 4 is a top plan view thereof; and,

FIG. 5 is a bottom plan view thereof.

The broken lines in the drawings illustrate the portions of the design that form no part of the claim.

1 Claim, 4 Drawing Sheets



(56)

References Cited

U.S. PATENT DOCUMENTS

D241,703 S 10/1976 Ashton
 D247,025 S 1/1978 Cherry
 4,147,277 A 4/1979 Bateman et al.
 4,287,943 A 9/1981 Hotta
 4,383,422 A 5/1983 Gordon et al.
 D277,632 S 2/1985 Staufenberg
 4,520,633 A 6/1985 Hoydic
 4,553,692 A 11/1985 Padovani
 D285,638 S 9/1986 Trivison
 D286,360 S 10/1986 Trivison
 4,650,076 A 3/1987 Padovani
 4,741,176 A 5/1988 Johnson et al.
 4,842,143 A 6/1989 McKee, Sr. et al.
 4,869,387 A 9/1989 Persson
 4,898,273 A 2/1990 Kristiansen
 D310,315 S 9/1990 Bitel
 4,989,419 A 2/1991 Brando et al.
 D318,982 S 8/1991 Gecchelin
 D346,528 S 5/1994 Crawford et al.
 5,307,647 A 5/1994 McClure
 D368,409 S * 4/1996 Schwartz D7/553.6
 5,538,136 A 7/1996 Onneweer
 5,568,735 A 10/1996 Newkirk et al.
 D376,295 S * 12/1996 Ahern et al. D7/549
 D376,953 S * 12/1996 Dunn D7/549
 5,701,757 A 12/1997 Heverly
 5,704,485 A 1/1998 Cautereels et al.
 D399,704 S 10/1998 Cousins
 5,890,613 A 4/1999 Williams
 6,012,583 A 1/2000 Ramirez
 6,085,535 A 7/2000 Richmond et al.
 6,086,931 A 7/2000 Whiteford
 D440,118 S 4/2001 Claffy et al.
 D444,058 S 6/2001 Hampshire et al.
 6,250,104 B1 6/2001 Bostic
 6,378,325 B1 4/2002 Yang
 D457,784 S 5/2002 Tornainen et al.
 D459,950 S 7/2002 Bush et al.
 6,419,089 B1 7/2002 Dall
 6,434,961 B2 8/2002 Richmond et al.
 6,540,084 B2 4/2003 Silvers
 6,581,795 B1 6/2003 Schulein et al.
 6,601,403 B1 8/2003 Roth et al.
 D485,452 S 1/2004 Boron et al.
 D488,952 S 4/2004 Cubillos
 6,843,062 B2 1/2005 Crete

D515,880 S 2/2006 Lerner
 7,007,813 B2 3/2006 Yang
 D524,662 S 7/2006 Fager et al.
 7,131,289 B2 11/2006 Harl et al.
 7,225,633 B2 6/2007 DeMars
 7,288,745 B2 10/2007 Colonna
 D558,512 S 1/2008 Levy et al.
 7,353,951 B2 4/2008 Vovan
 D572,540 S 7/2008 Shew et al.
 D572,541 S * 7/2008 Shew et al. D7/629
 7,427,001 B1 9/2008 Keitges
 D579,264 S 10/2008 Simon et al.
 7,438,200 B1 10/2008 Keitges
 D592,013 S 5/2009 Bizzell et al.
 D592,014 S 5/2009 Bizzell et al.
 D596,447 S 7/2009 Cubillos
 D605,470 S 12/2009 Sluiman
 D610,876 S 3/2010 Busby
 D613,995 S 4/2010 Mishan
 7,735,651 B2 * 6/2010 Shew et al. 206/541
 7,736,580 B2 * 6/2010 Shew et al. 264/553
 D622,588 S * 8/2010 Wichmann et al. D9/424
 D626,380 S 11/2010 Harris
 D632,526 S 2/2011 Coursey et al.
 D634,164 S 3/2011 Coursey
 8,006,369 B2 * 8/2011 Shew et al. 29/527.1
 D698,666 S * 2/2014 Sifuentes et al. D9/761
 8,955,353 B2 * 2/2015 Harris et al. 62/457.6
 2003/0226844 A1 12/2003 Felknor et al.
 2006/0065702 A1 3/2006 Beese
 2008/0087037 A1 4/2008 Rapaz
 2008/0216507 A1 9/2008 Tremblay
 2008/0283437 A1 11/2008 St-Onge
 2009/0090649 A1 * 4/2009 Shew et al. 206/567
 2009/0092738 A1 * 4/2009 Shew et al. 426/665
 2009/0200195 A1 * 8/2009 Kovacevich et al. 206/561
 2011/0259897 A1 10/2011 Coursey et al.

FOREIGN PATENT DOCUMENTS

WO W09908944 2/1999
 WO WO/2011/139418 11/2011

OTHER PUBLICATIONS

Co-Pending U.S. Appl. No. 29/472,672 for "Food Server" filed Nov. 14, 2013.

* cited by examiner

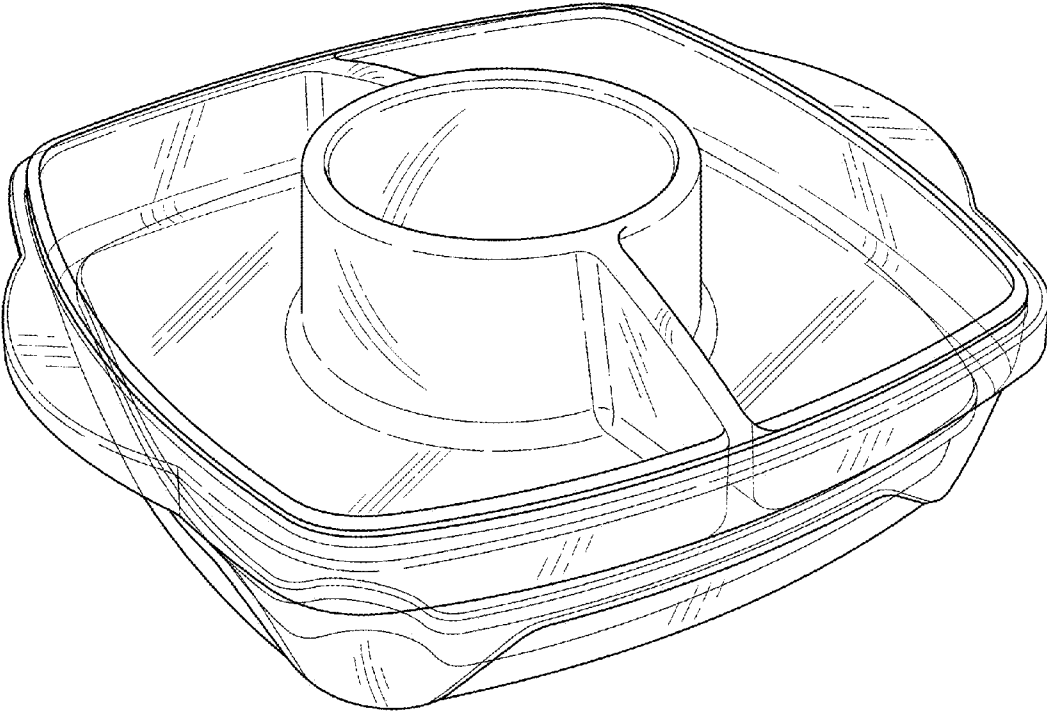


FIG. 1

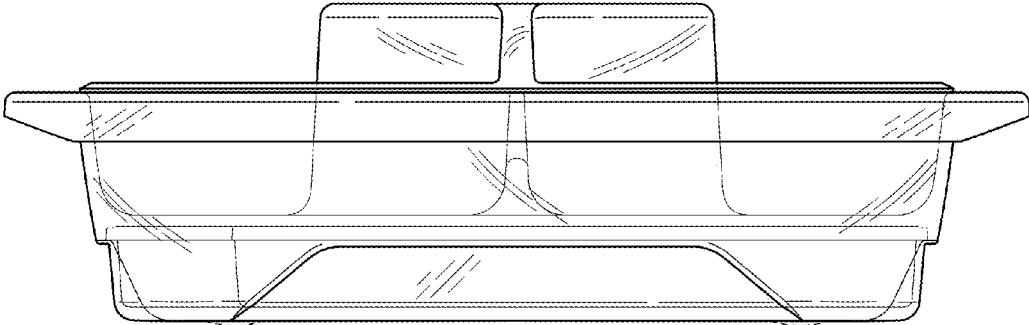


FIG. 2

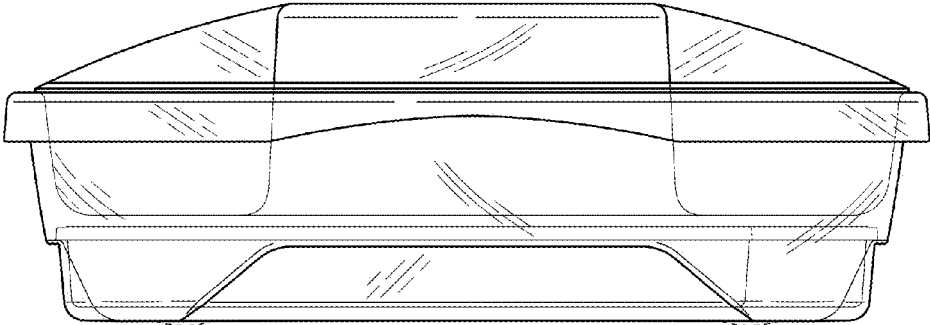


FIG. 3

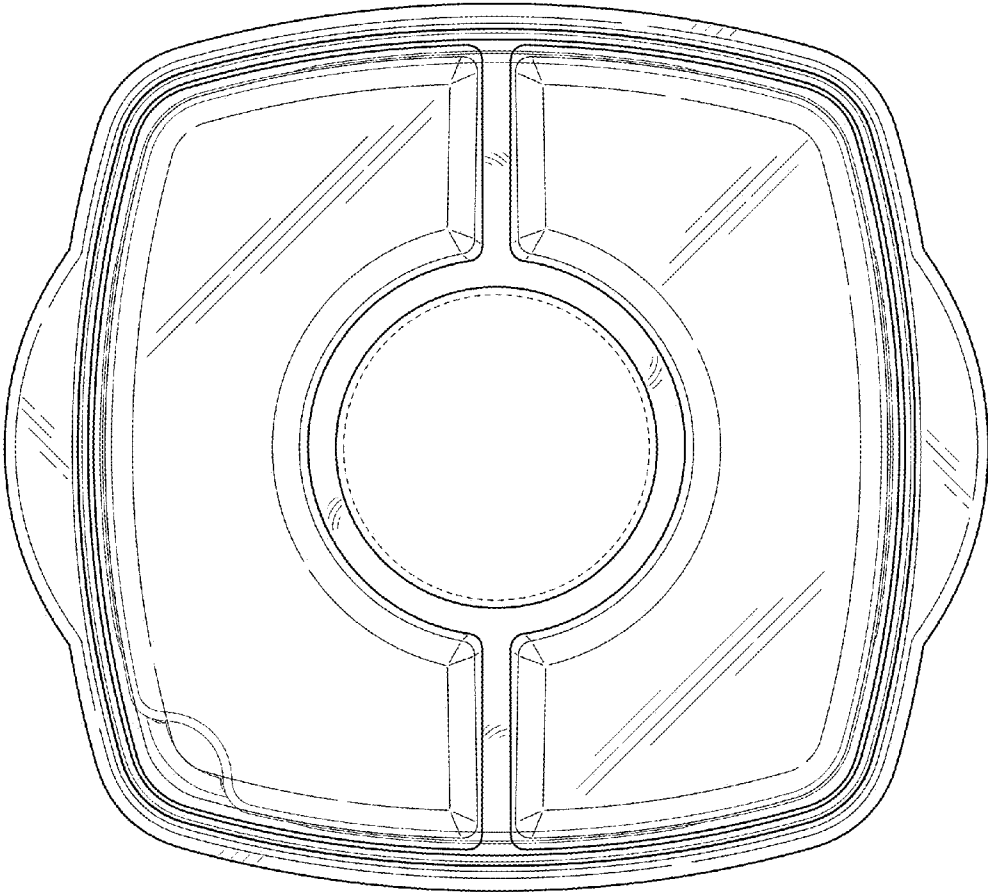


FIG. 4

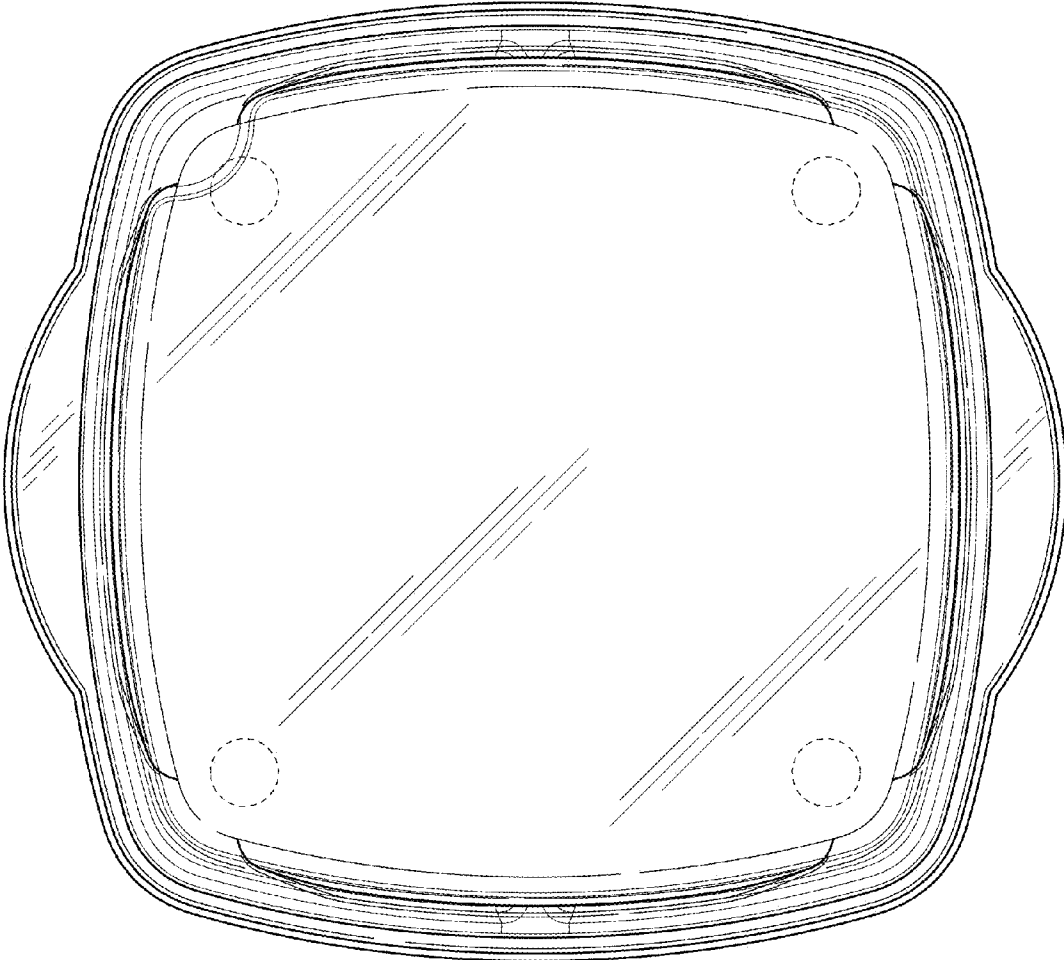


FIG. 5