



US00D492150S1

(12) **United States Design Patent**  
**Chesser et al.**

(10) **Patent No.:** **US D492,150 S**  
(45) **Date of Patent:** **\*\* Jun. 29, 2004**

(54) **WORKSTATION SHELF**

D476,514 S \* 7/2003 Chesser et al. .... D6/511

(75) Inventors: **Linda Elizabeth Chesser**, East Grand Rapids, MI (US); **William Frederick Schacht**, East Grand Rapids, MI (US)

(73) Assignee: **Nucraft Furniture Company**, Comstock Park, MI (US)

(\*\*) Term: **14 Years**

(21) Appl. No.: **29/178,995**

(22) Filed: **Apr. 3, 2003**

**Related U.S. Application Data**

(63) Continuation of application No. 10/163,958, filed on Jun. 6, 2002, and a continuation of application No. 29/162,039, filed on Jun. 7, 2002, now Pat. No. Des. 476,514.

(51) **LOC (7) Cl.** ..... **06-06**

(52) **U.S. Cl.** ..... **D6/511**

(58) **Field of Search** ..... D6/421-428, 491, D6/509, 510, 511; 312/194-196, 208.1, 208.4, 198, 223.1; 108/50.01, 50.02, 28, 60, 25, 26, 33, 41; 211/50, 126.3

(56) **References Cited**

**U.S. PATENT DOCUMENTS**

3,078,133	A	2/1963	Schauer	
D213,883	S	* 4/1969	Canfield	..... D6/421
D240,581	S	7/1976	Ostborg et al.	
D240,989	S	8/1976	Bernstein	
D299,093	S	12/1988	Burdick	
5,346,296	A	9/1994	Kelley	
5,558,418	A	9/1996	Lambright et al.	
5,584,546	A	12/1996	Gurin et al.	
6,158,829	A	12/2000	Nielsen	

**OTHER PUBLICATIONS**

National Business Furniture, Oct. 1, 1996, p. 49, organizer at top.\*

Gaylord Feb. 1992, p. 8, No. DEX1 privacy shield in center. National Business Furniture, Oct. 1, 1996, p. 49, organizer at bottom of page.

\* cited by examiner

*Primary Examiner*—Janice E. Seeger

(74) *Attorney, Agent, or Firm*—Van Dyke, Gardner, Linn & Burkhart, LLP

(57) **CLAIM**

The ornamental design for a workstation shelf, as shown and described.

**DESCRIPTION**

FIG. 1 is a perspective view of the workstation shelf showing our new design wherein the workstation depicted in phantom is an illustrative example of the shelf's environment but forms no part of the design herein claimed;

FIG. 2 is a top view of the workstation shelf of FIG. 1;

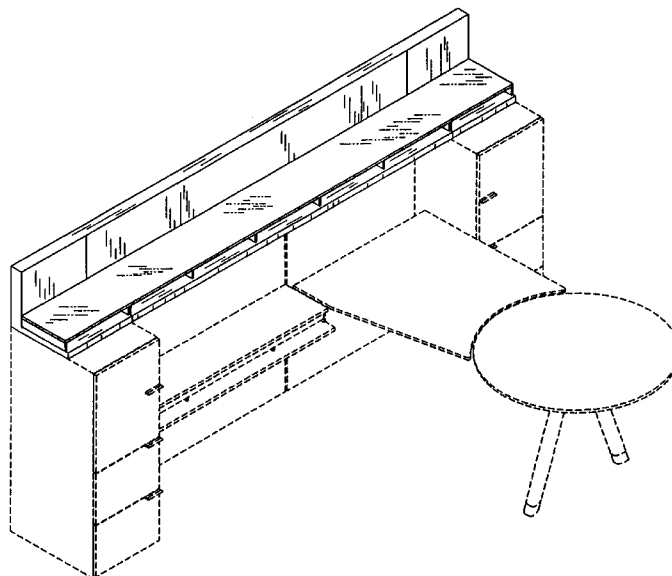
FIG. 3 is a front, elevational view of the workstation shelf of FIG. 1;

FIG. 4 is a left side, elevational view of the workstation shelf of FIG. 1, the right side, elevational view being a mirror image thereof;

FIG. 5 is a top view of the workstation shelf of FIG. 1 shown with the translucent material removed in order to illustrate the elements underneath this material; and,

FIG. 6 is a bottom view of the workstation shelf of FIG. 1. The rear elevation view of the workstation shelf is flat and unornamental.

**1 Claim, 2 Drawing Sheets**



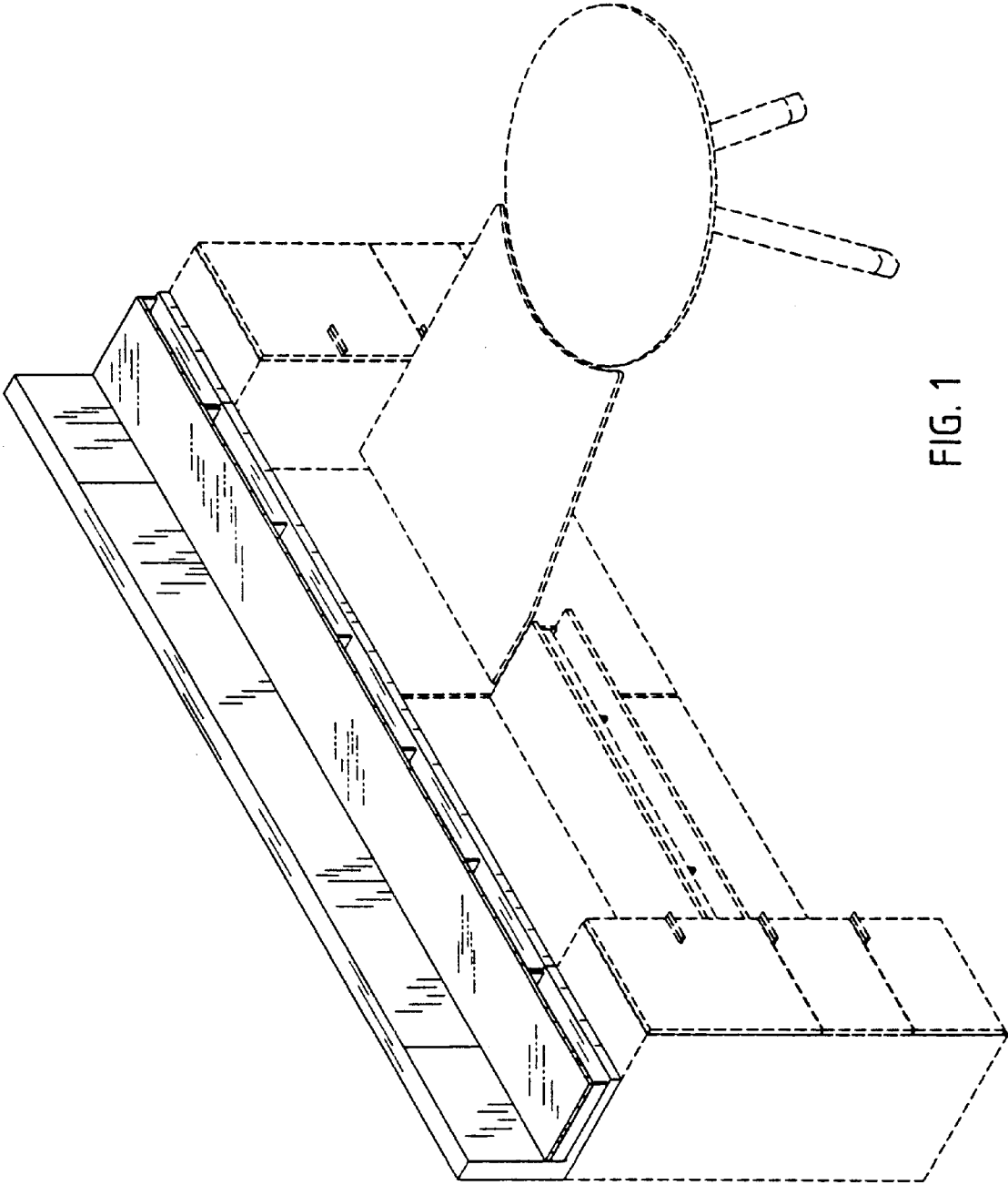


FIG. 1

