



US00D826096S

(12) **United States Design Patent**  
**Ito et al.**

(10) **Patent No.:** **US D826,096 S**  
(45) **Date of Patent:** **\*\* Aug. 21, 2018**

(54) **TRUCK VEHICLE**

(71) Applicant: **International Truck Intellectual Property Company, LLC**, Lisle, IL (US)

(72) Inventors: **Chris Ito**, Sugar Grove, IL (US); **Glen Joel Durmisevich**, Rochester Hills, MI (US); **Christian Michael Hardin**, Waterford, MI (US)

(73) Assignee: **International Truck Intellectual Property Company, LLC**, Lisle, IL (US)

(\*\*) Term: **15 Years**

(21) Appl. No.: **29/544,132**

(22) Filed: **Oct. 30, 2015**

(51) **LOC (11) Cl.** ..... **12-08**

(52) **U.S. Cl.**  
USPC ..... **D12/93**; D12/96

(58) **Field of Classification Search**  
USPC ..... D12/93-102  
CPC ..... B62D 53/06; B62D 25/10; B62D 65/02;  
B62D 25/06; B62D 25/12; B60Q 1/00  
See application file for complete search history.

(56) **References Cited**

**U.S. PATENT DOCUMENTS**

|              |         |            |       |         |
|--------------|---------|------------|-------|---------|
| D305,746 S * | 1/1990  | Allendorph | ..... | D12/96  |
| D307,731 S * | 5/1990  | Kerney     | ..... | D12/96  |
| D307,878 S * | 5/1990  | Lechner    | ..... | D12/96  |
| D391,908 S * | 3/1998  | Allendorph | ..... | D12/173 |
| D394,026 S * | 5/1998  | Hellhake   | ..... | D12/96  |
| D394,624 S * | 5/1998  | Allendorph | ..... | D12/173 |
| D399,791 S * | 10/1998 | Hellhake   | ..... | D12/96  |
| D399,792 S * | 10/1998 | Hellhake   | ..... | D12/96  |
| D401,198 S * | 11/1998 | Mueller    | ..... | D12/173 |
| D406,552 S * | 3/1999  | Hellhake   | ..... | D12/93  |
| D406,553 S * | 3/1999  | Hellhake   | ..... | D12/96  |

|                |        |               |       |                        |
|----------------|--------|---------------|-------|------------------------|
| D411,140 S *   | 6/1999 | Meryman       | ..... | D12/96                 |
| D423,990 S *   | 5/2000 | Meryman       | ..... | D12/96                 |
| D437,258 S *   | 2/2001 | Meryman       | ..... | D12/96                 |
| D437,570 S *   | 2/2001 | Meryman       | ..... | D12/96                 |
| 6,230,832 B1 * | 5/2001 | von Mayenburg | ....  | B60K 11/08<br>180/68.1 |

D445,361 S 7/2001 Tirey et al.  
D460,023 S 7/2002 Beigel

(Continued)

**OTHER PUBLICATIONS**

International Trucks, announced Jul. 15, 2016 [online], [site visited Aug. 31, 2016]. Available from internet, URL: <https://www.internationaltrucks.com/trucks>.\*

(Continued)

*Primary Examiner* — Keli L Hill

*Assistant Examiner* — Karra S Johnson

(74) *Attorney, Agent, or Firm* — Jeffrey P. Calfa; Mark C. Bach

(57) **CLAIM**

The ornamental design for a truck vehicle, as shown and described.

**DESCRIPTION**

FIG. 1 is an isometric view of a truck vehicle showing our new design;

FIG. 2 is a top plan view thereof;

FIG. 3 is a left side view thereof;

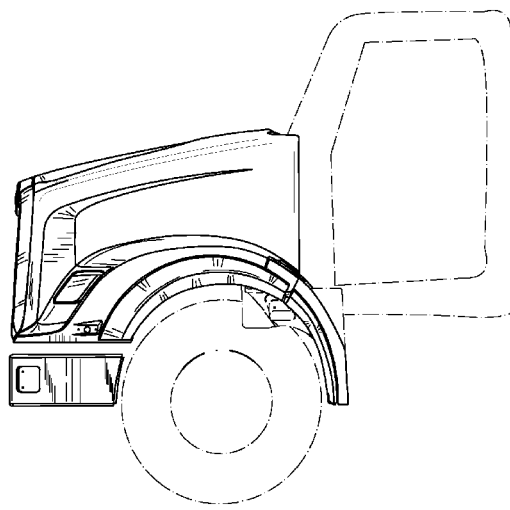
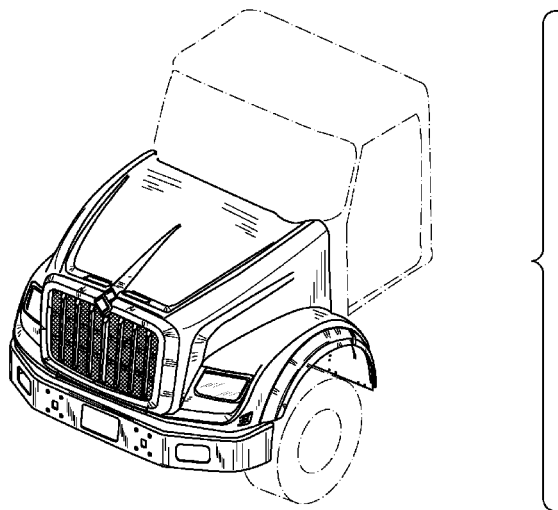
FIG. 4 is a right side view thereof;

FIG. 5 is a front view of FIG. 1; and,

FIG. 6 is a back view of FIG. 1.

The broken lines shown are included for the purpose of illustrating portions of the truck vehicle that form no part of the claim. In FIG. 6, the components visible on the left, right, top, and bottom sides of the grille feature, and additional components existing above the fender feature on the left and right sides, form no part of the claim.

**1 Claim, 6 Drawing Sheets**



(56)

References Cited

U.S. PATENT DOCUMENTS

D462,036 S \* 8/2002 Mondragon Sarmiento .. D12/96  
 D466,450 S \* 12/2002 Maher ..... D12/173  
 D489,649 S \* 5/2004 Satou ..... D12/96  
 D490,749 S \* 6/2004 Satou ..... D12/96  
 D537,761 S \* 3/2007 Beigel ..... D12/173  
 D539,704 S \* 4/2007 Angelo ..... D12/96  
 D542,715 S \* 5/2007 Beigel et al.  
 D545,735 S \* 7/2007 Angelo ..... D12/173  
 D558,643 S \* 1/2008 Beigel et al.  
 D563,281 S \* 3/2008 Simons ..... D12/173  
 D566,009 S \* 4/2008 Beigel et al.  
 D621,754 S \* 8/2010 Angelo ..... D12/173  
 D622,188 S \* 8/2010 Angelo ..... D12/96  
 D632,224 S \* 2/2011 Peltola ..... D12/173  
 D634,244 S \* 3/2011 Aris et al.  
 D645,380 S \* 9/2011 Beigel et al.  
 D703,105 S \* 4/2014 Riggs et al.  
 D707,161 S \* 6/2014 Peltola ..... D12/173  
 D711,786 S \* 8/2014 Brzustowicz ..... D12/96  
 D711,787 S \* 8/2014 Brzustowicz ..... D12/96  
 D711,788 S \* 8/2014 Brzustowicz ..... D12/96  
 D719,879 S \* 12/2014 Ito et al.  
 D738,273 S \* 9/2015 Hanson ..... D12/173  
 D738,274 S \* 9/2015 Hanson ..... D12/173  
 D743,308 S \* 11/2015 Hanson ..... D12/173  
 D758,253 S \* 6/2016 Brzustowicz ..... D12/96  
 D778,216 S \* 2/2017 Ito ..... D12/173  
 D778,217 S \* 2/2017 Ito ..... D12/173  
 D784,870 S \* 4/2017 Ito ..... D12/173  
 9,624,893 B2 \* 4/2017 Falaise ..... F02N 11/0818  
 D786,742 S \* 5/2017 Ito ..... D12/163  
 D787,384 S \* 5/2017 Ito ..... D12/163  
 D799,380 S \* 10/2017 Cosme ..... D12/96  
 D803,101 S \* 11/2017 Ito ..... D12/93

D803,114 S \* 11/2017 Ito ..... D12/173  
 9,822,560 B2 \* 11/2017 Wilkens ..... E05B 79/02  
 D804,373 S \* 12/2017 Ito ..... D12/173  
 D813,728 S \* 3/2018 Ito ..... D12/93  
 2006/0226669 A1 \* 10/2006 Tong ..... B60P 3/32  
 296/24.3  
 2007/0199751 A1 \* 8/2007 Bradley ..... B60K 11/085  
 180/68.1  
 2008/0231079 A1 \* 9/2008 Grady ..... B62D 35/001  
 296/191  
 2011/0089716 A1 \* 4/2011 Hall ..... B62D 25/12  
 296/180.2  
 2013/0025954 A1 \* 1/2013 Miller ..... B62D 25/10  
 180/69.21  
 2013/0127205 A1 \* 5/2013 Jaynes ..... B62D 25/06  
 296/190.1  
 2013/0199863 A1 \* 8/2013 Robbins  
 2017/0182948 A1 \* 6/2017 Cunagin ..... B60R 9/06

OTHER PUBLICATIONS

Day Cab Semi Trucks For Sale, announced Nov. 30, 2011 [online], [site visited Sep. 1, 2016]. Available from internet, URL: <<https://conventionaldaycabtrucks.wordpress.com/>>.\*

Things to Look For when Buying a Used Semi Truck, announced Dec. 3, 2014 [online], [site visited Sep. 1, 2016]. Available from Internet, URL: <<http://www.ddtrucksonline.com/blog/m.blog/60/things-to-look-for-when-buying-a-used-semi-truck>>.\*

Used Tractors for Sale from AmeriQuest, announced Mar. 21, 2016 [online], [site visited Sep. 1, 2016]. Available from internet, URL: <<http://www.ameriquescorp.com/transportation/services/used-trucks/search-inventory/results-used-trucks.aspx?vehicletype=tractors&cabtype=daycabtractor&rearaxles=tandem>>.\*

\* cited by examiner

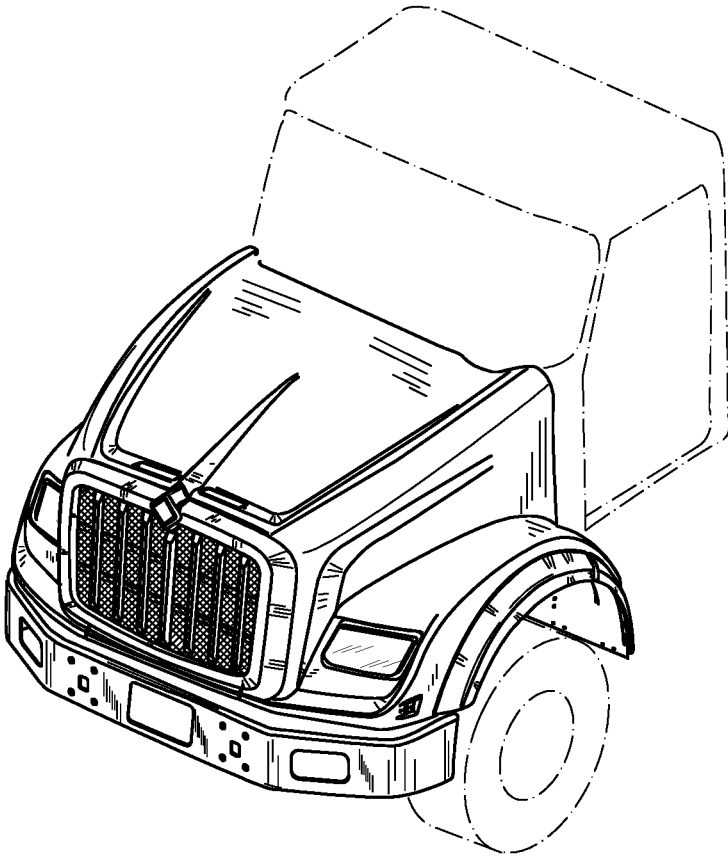


FIG. 1

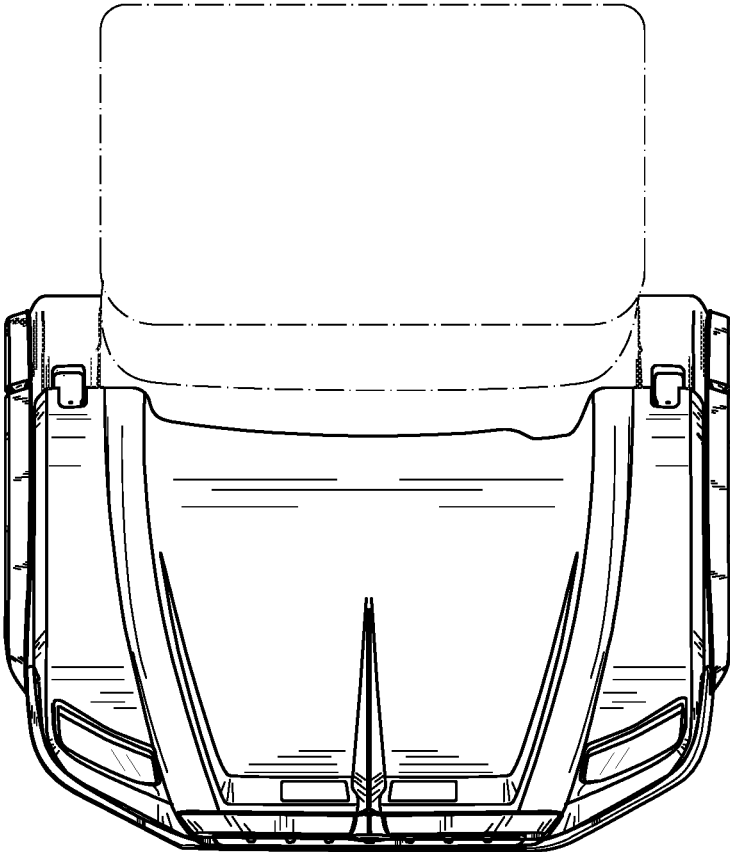


FIG. 2

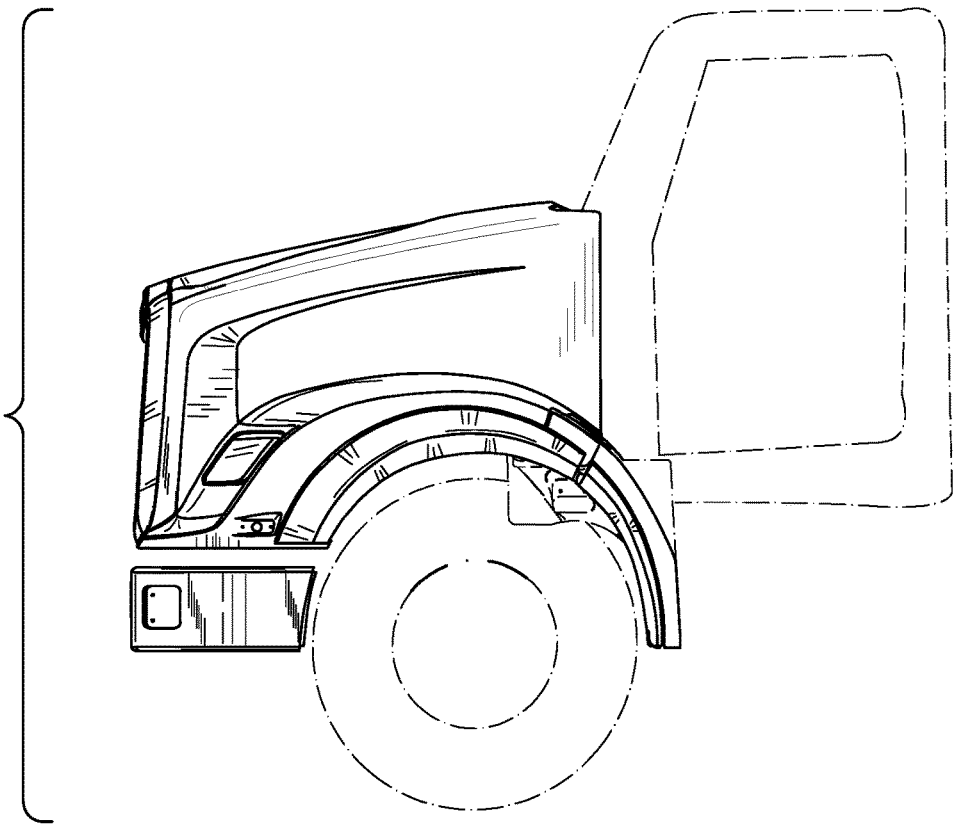


FIG. 3

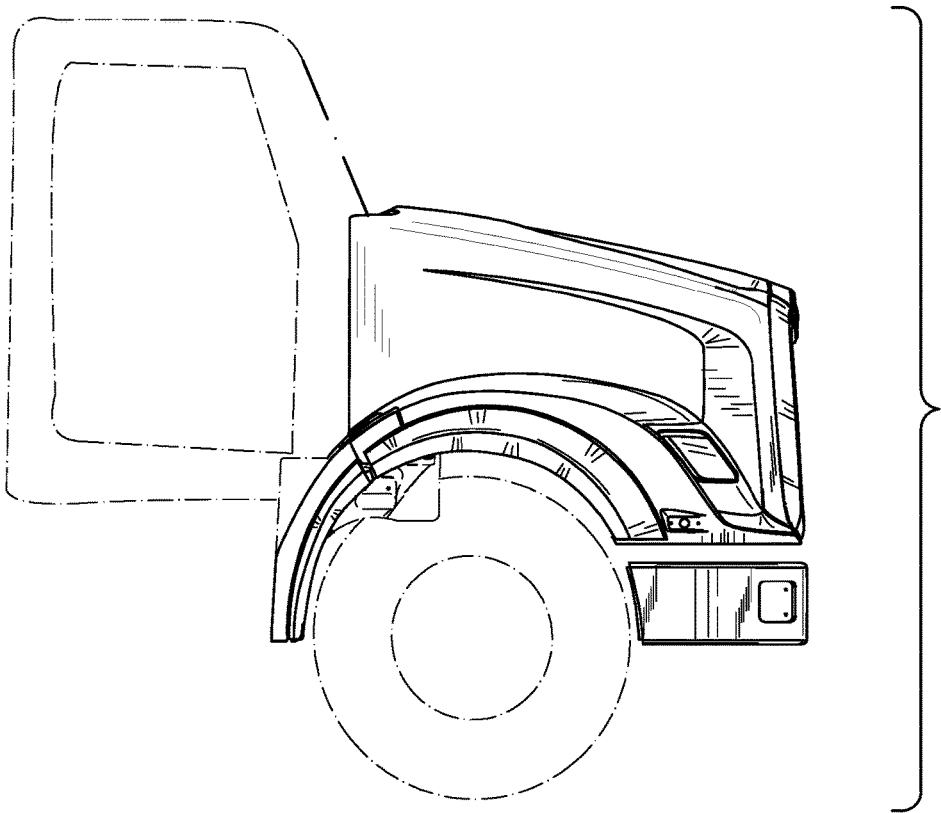


FIG. 4

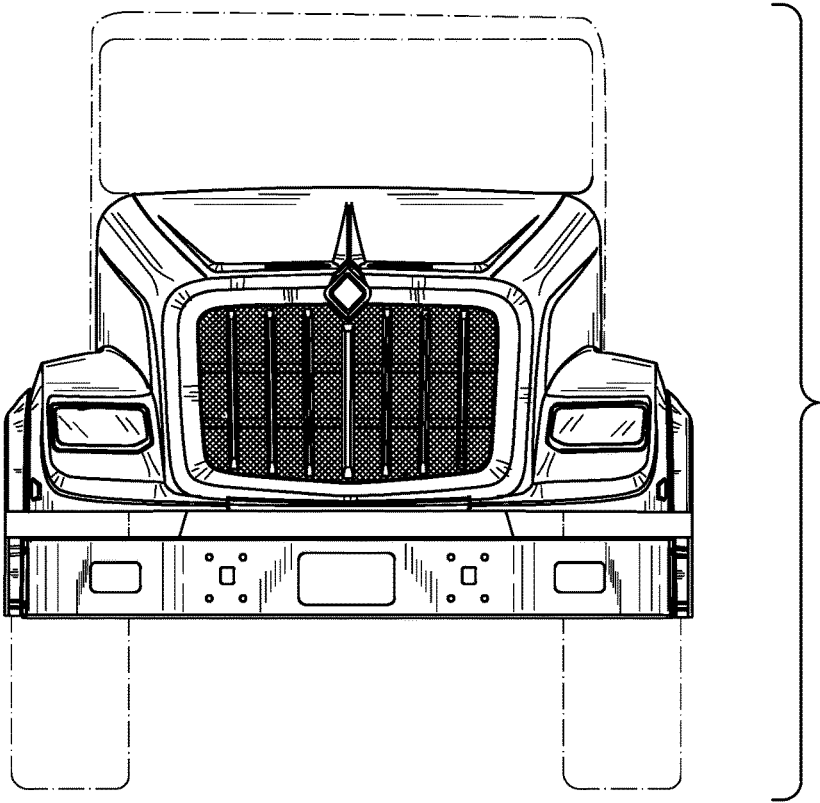


FIG. 5

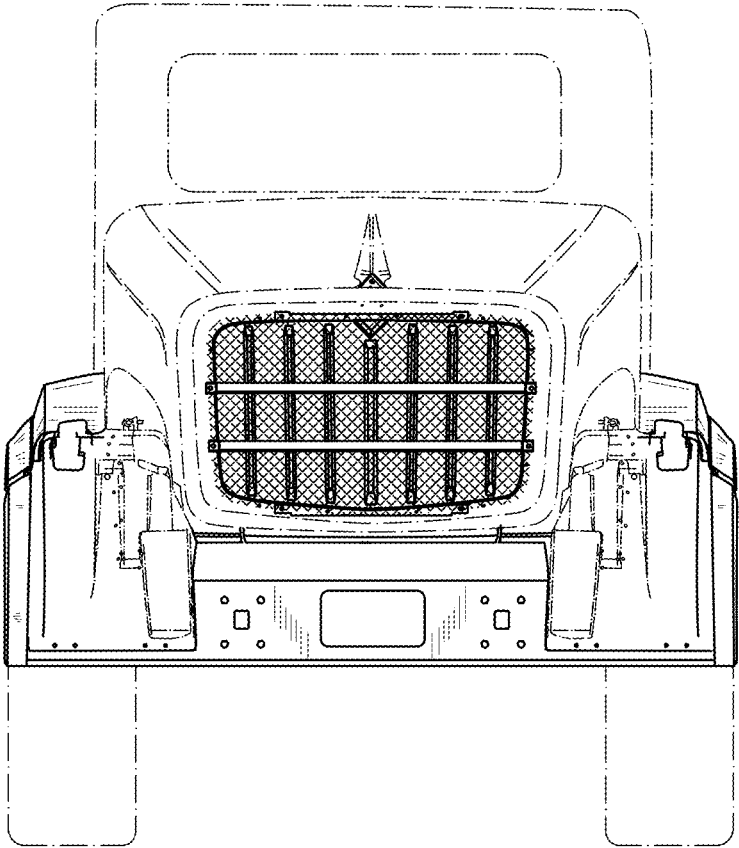


FIG. 6