



US00D375040S

**United States Patent** [19]  
**Miyashita**

[11] **Patent Number: Des. 375,040**  
[45] **Date of Patent: \*\*Oct. 29, 1996**

[54] **JOINT FOR A RACK FRAME**  
[75] Inventor: **Muneharu Miyashita**, Shizuoka, Japan  
[73] Assignee: **Yazaki Industrial Chemical Co., Ltd.**,  
Shizuoka, Japan  
[\*\*] Term: **14 Years**

[21] Appl. No.: **27,436**  
[22] Filed: **Aug. 22, 1994**  
[52] U.S. Cl. .... **D8/382**  
[58] **Field of Search** ..... D8/382, 400; 403/400,  
403/232.1, 233, 405, 247, 169, 205, 388;  
248/262, 200.1; D6/491, 462-465; D34/21,  
27

[56] **References Cited**  
U.S. PATENT DOCUMENTS  
D. 267,057 11/1982 Koehm ..... D6/368  
2,646,285 7/1953 Snyder ..... 403/400 X  
3,537,221 11/1970 Helfman et al. .... 403/232.1 X  
5,165,214 11/1992 Codd ..... 403/169 X

*Primary Examiner*—Lucy Lieberman  
*Attorney, Agent, or Firm*—Smith-Hill and Bedell

[57] **CLAIM**

The ornamental design for a joint for a rack frame, as shown and described.

**DESCRIPTION**

FIG. 1 is a perspective view of a joint for a rack frame showing my new design;  
FIG. 2 is a front elevational view thereof;  
FIG. 3 is a top plan view thereof;  
FIG. 4 is a bottom view thereof;  
FIG. 5 is a right side elevational view thereof;  
FIG. 6 is a left side elevational view thereof;  
FIG. 7 is a sectional view along line 7—7 of FIG. 6; and,  
FIG. 8 is a perspective view showing the use as a joint for a rack frame fitting to the frame member. The broken lines are for illustrative purpose only and form no part of the claimed design.  
The rear elevation is a mirror image of the front elevation shown in FIG. 2.

**1 Claim, 3 Drawing Sheets**

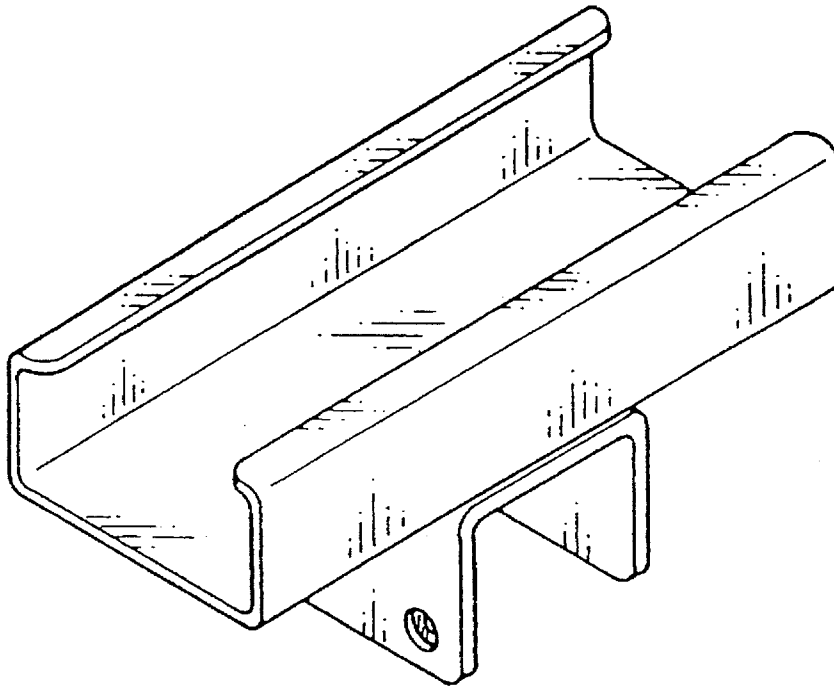


FIG. 1

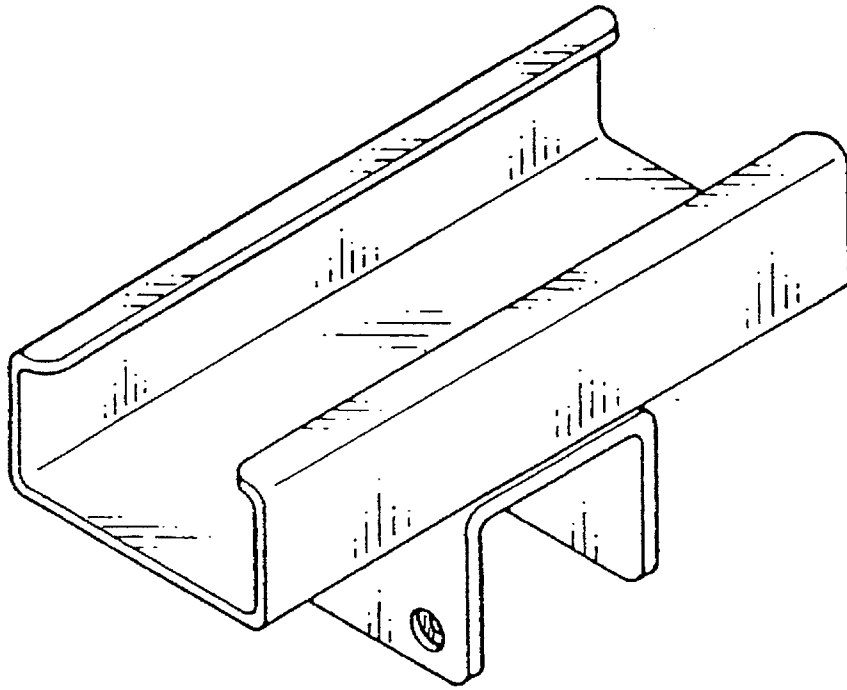


FIG. 2

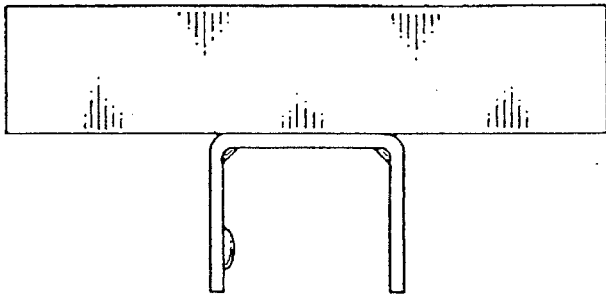


FIG. 3

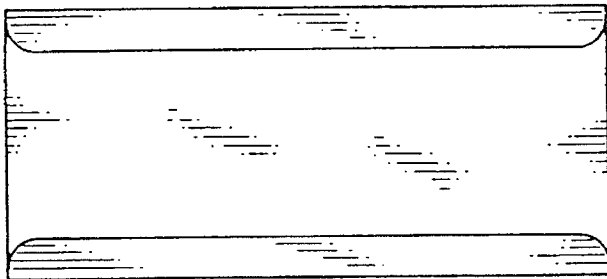


FIG. 4

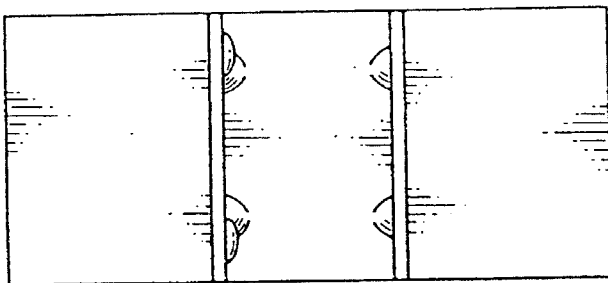


FIG. 7

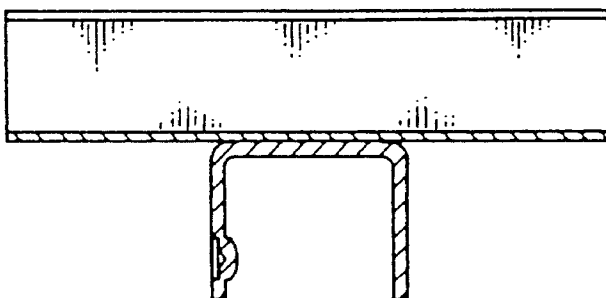


FIG. 5

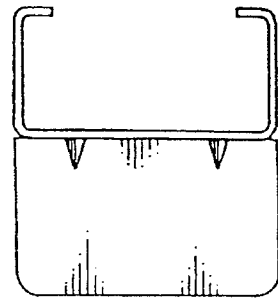


FIG. 6

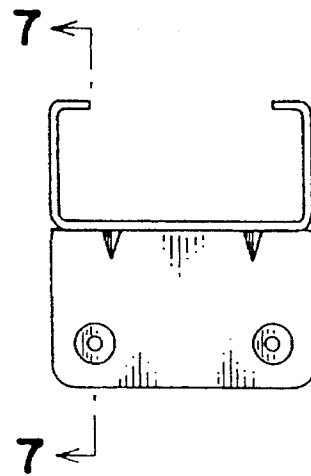


FIG. 8

