



US00D678320S

(12) **United States Design Patent**  
**Kanalakis, Jr. et al.**

(10) **Patent No.:** **US D678,320 S**

(45) **Date of Patent:** **\*\* Mar. 19, 2013**

(54) **DISPLAY SCREEN WITH GRAPHICAL USER INTERFACE**

(75) Inventors: **John M. Kanalakis, Jr.**, San Jose, CA (US); **Beate Fritsch**, Oakland, CA (US); **Hal Rucker**, Hillsborough, CA (US); **Peter D. Andrea**, Oakland, CA (US)

(73) Assignee: **Cisco Technology, Inc.**, San Jose, CA (US)

(\*\*) Term: **14 Years**

(21) Appl. No.: **29/381,262**

(22) Filed: **Dec. 16, 2010**

(51) **LOC (9) Cl.** ..... **14-04**

(52) **U.S. Cl.** ..... **D14/487**

(58) **Field of Classification Search** ..... D14/485-488;  
715/751-753, 756, 758, 759, 772, 792, 808-809,  
715/817, 821-822, 825, 833-834, 840-841,  
715/843, 861, 864, 978; 348/14.03

See application file for complete search history.

(56) **References Cited**

U.S. PATENT DOCUMENTS

2,911,462 A	11/1959	Brady
3,793,489 A	2/1974	Sank
3,909,121 A	9/1975	De Mesquita Cardoso
4,400,724 A	8/1983	Fields
4,473,285 A	9/1984	Winter
4,494,144 A	1/1985	Brown
4,750,123 A	6/1988	Christian
4,815,132 A	3/1989	Minami
4,827,253 A	5/1989	Maltz
4,853,764 A	8/1989	Sutter
4,890,314 A	12/1989	Judd et al.
4,961,211 A	10/1990	Tsugane et al.
5,003,532 A	3/1991	Ashida et al.
5,020,098 A	5/1991	Celli
5,136,652 A	8/1992	Jibbe et al.
5,187,571 A	2/1993	Braun et al.
5,200,818 A	4/1993	Neta et al.
5,249,035 A	9/1993	Yamanaka
5,255,211 A	10/1993	Redmond

5,268,734 A	12/1993	Parker et al.
5,317,405 A	5/1994	Kuriki et al.
5,337,363 A	8/1994	Platt
5,347,363 A	9/1994	Yamanaka
5,359,362 A	10/1994	Lewis et al.
D357,468 S	4/1995	Rodd
5,406,326 A	4/1995	Mowry
5,423,554 A	6/1995	Davis
5,446,834 A	8/1995	Deering

(Continued)

FOREIGN PATENT DOCUMENTS

CN	101953158(A)	1/2011
CN	102067593	5/2011

(Continued)

OTHER PUBLICATIONS

U.S. Appl. No. 13/298,022, filed Nov. 16, 2011, entitled "System and Method for Alerting a Participant in a Video Conference," Inventor(s): TiongHu Lian, et al.

(Continued)

*Primary Examiner* — Karen E Kearney

(74) *Attorney, Agent, or Firm* — Patent Capital Group

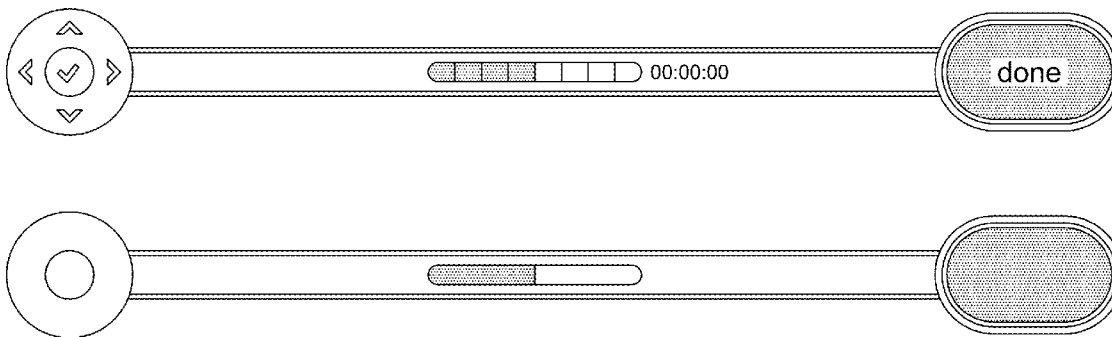
(57) **CLAIM**

The ornamental design for an display screen with graphical user interface, as shown and described.

**DESCRIPTION**

FIG. 1 is a perspective view of a first embodiment of a display screen with graphical user interface showing our new design; FIG. 2 is a front view thereof, the graphical user interface shown separate and enlarged for ease of illustration; FIG. 3 is a perspective view of a second embodiment thereof; and, FIG. 4 is a front view thereof, the graphical user interface shown separate and enlarged for ease of illustration. The broken line showings of the display screen are for the purpose of illustrating environmental structure and form no part of the claimed design.

**1 Claim, 3 Drawing Sheets**



US D678,320 S

U.S. PATENT DOCUMENTS					
5,448,287	A	9/1995 Hull	6,922,718	B2	7/2005 Chang
5,467,401	A	11/1995 Nagamitsu et al.	6,963,653	B1	11/2005 Miles
5,495,576	A	2/1996 Ritchey	D512,723	S *	12/2005 Wirz ..... D14/485
5,502,481	A	3/1996 Dentinger et al.	6,980,526	B2	12/2005 Jang et al.
5,502,726	A	3/1996 Fischer	6,989,754	B2	1/2006 Kisacanin et al.
5,532,737	A	7/1996 Braun	6,989,836	B2	1/2006 Ramsey
5,541,639	A	7/1996 Takatsuki et al.	6,989,856	B2	1/2006 Firestone et al.
5,541,773	A	7/1996 Kamo et al.	6,990,086	B1	1/2006 Holur et al.
5,570,372	A	10/1996 Shaffer	7,002,973	B2	2/2006 MeLampy et al.
5,572,248	A	11/1996 Allen et al.	7,028,092	B2	4/2006 MeLampy et al.
5,625,410	A	4/1997 Washino et al.	7,031,311	B2	4/2006 MeLampy et al.
5,666,153	A	9/1997 Copeland	D521,521	S *	5/2006 Jewitt et al. .... D14/487
5,675,374	A	10/1997 Kohda	7,043,528	B2	5/2006 Schmitt et al.
5,715,377	A	2/1998 Fukushima et al.	D522,559	S *	6/2006 Naito et al. .... D16/219
D391,935	S	3/1998 Sakaguchi et al.	7,057,636	B1	6/2006 Cohen-Solal et al.
5,729,471	A	3/1998 Jain et al.	7,057,662	B2	6/2006 Malzbender
5,737,011	A	4/1998 Lukacs	7,061,896	B2	6/2006 Jabbari et al.
5,748,121	A	5/1998 Romriell	7,080,157	B2	7/2006 McCanne
5,760,826	A	6/1998 Nayar	7,092,002	B2	8/2006 Ferren et al.
5,790,182	A	8/1998 Hilaire	7,111,045	B2	9/2006 Kato et al.
5,796,724	A	8/1998 Rajamani et al.	7,131,135	B1	10/2006 Virag et al.
5,815,196	A	9/1998 Alshawi	7,136,651	B2	11/2006 Kalavade
5,818,514	A	10/1998 Duttweiler et al.	7,139,767	B1	11/2006 Taylor et al.
5,821,985	A	10/1998 Iizawa	D533,525	S	12/2006 Arie
D410,447	S	6/1999 Chang	D533,852	S	12/2006 Ma
5,940,118	A	8/1999 Van Schyndel	D534,511	S	1/2007 Maeda et al.
5,940,530	A	8/1999 Fukushima et al.	D535,954	S	1/2007 Hwang et al.
5,953,052	A	9/1999 McNelley et al.	7,158,674	B2	1/2007 Suh
5,956,100	A	9/1999 Gorski	7,161,942	B2	1/2007 Chen et al.
6,097,390	A *	8/2000 Marks ..... 715/772	D539,243	S	3/2007 Chiu et al.
6,101,113	A	8/2000 Paice	D540,336	S *	4/2007 Kim et al. .... D14/485
6,124,896	A	9/2000 Kurashige	D541,773	S	5/2007 Chong et al.
6,148,092	A	11/2000 Qian	D542,247	S	5/2007 Kinoshita et al.
D435,561	S *	12/2000 Pettigrew et al. .... D14/487	D545,314	S	6/2007 Kim
6,167,162	A	12/2000 Jacquin et al.	7,246,118	B2	7/2007 Chastain et al.
6,172,703	B1	1/2001 Lee	D550,635	S	9/2007 DeMaio et al.
6,173,069	B1	1/2001 Daly et al.	D551,184	S	9/2007 Kanou et al.
6,226,035	B1	5/2001 Korein et al.	7,269,292	B2	9/2007 Steinberg
6,243,130	B1	6/2001 McNelley et al.	7,274,555	B2	9/2007 Kim et al.
6,249,318	B1	6/2001 Girod et al.	D555,610	S	11/2007 Yang et al.
6,256,400	B1	7/2001 Takata et al.	D561,130	S	2/2008 Won et al.
6,266,082	B1	7/2001 Yonezawa et al.	7,336,299	B2	2/2008 Kostorzewski
6,285,392	B1	9/2001 Satoda et al.	D563,965	S *	3/2008 Van Dongen et al. .... D14/485
6,292,575	B1	9/2001 Bortolussi et al.	D567,202	S	4/2008 Rieu Piquet
D454,574	S *	3/2002 Wasko et al. .... D14/487	7,352,809	B2	4/2008 Wenger et al.
6,356,589	B1	3/2002 Gebler et al.	7,353,279	B2	4/2008 Durvasula et al.
6,424,377	B1	7/2002 Driscoll, Jr.	7,359,731	B2	4/2008 Choksi
6,430,222	B1	8/2002 Okada	7,399,095	B2	7/2008 Rondinelli
6,459,451	B2	10/2002 Driscoll et al.	7,411,975	B1	8/2008 Mohaban
6,493,032	B1	12/2002 Wallerstein et al.	7,413,150	B1	8/2008 Hsu
6,507,356	B1	1/2003 Jackel et al.	7,428,000	B2	9/2008 Cutler et al.
D470,153	S *	2/2003 Billmaier et al. .... D14/486	D578,496	S	10/2008 Leonard
6,583,808	B2	6/2003 Boulanger et al.	7,471,320	B2	12/2008 Malkin et al.
6,590,603	B2	7/2003 Sheldon et al.	7,477,657	B1	1/2009 Murphy et al.
6,591,314	B1	7/2003 Colbath	7,480,870	B2 *	1/2009 Anzures et al. .... 715/772
6,593,956	B1	7/2003 Potts et al.	D588,560	S	3/2009 Mellingen et al.
6,611,281	B2	8/2003 Strubbe	7,518,051	B2	4/2009 Redmann
6,680,856	B2	1/2004 Schreiber	D592,621	S	5/2009 Han
6,693,663	B1	2/2004 Harris	7,532,230	B2	5/2009 Culbertson et al.
6,704,048	B1	3/2004 Malkin et al.	7,532,232	B2	5/2009 Shah et al.
6,710,797	B1	3/2004 McNelley et al.	7,545,761	B1	6/2009 Kalbag
6,751,106	B2	6/2004 Zhang et al.	7,555,141	B2	6/2009 Mori
6,768,722	B1	7/2004 Katseff et al.	D602,453	S	10/2009 Ding et al.
6,771,303	B2	8/2004 Zhang et al.	7,616,226	B2	11/2009 Roessler et al.
6,774,927	B1	8/2004 Cohen et al.	D610,560	S	2/2010 Chen
6,795,108	B2	9/2004 Jarboe et al.	7,679,639	B2	3/2010 Harrell et al.
6,798,834	B1	9/2004 Murakami et al.	7,692,680	B2	4/2010 Graham
6,806,898	B1	10/2004 Toyama et al.	7,707,247	B2	4/2010 Dunn et al.
6,807,280	B1	10/2004 Stroud et al.	D615,514	S	5/2010 Mellingen et al.
6,809,724	B1 *	10/2004 Shiraishi et al. .... 345/169	7,710,448	B2	5/2010 De Beer et al.
6,844,990	B2	1/2005 Artonne et al.	7,710,450	B2	5/2010 Dhuey et al.
6,853,398	B2	2/2005 Malzbender et al.	7,715,657	B2	5/2010 Lin et al.
6,882,358	B1	4/2005 Schuster et al.	7,719,605	B2	5/2010 Hirasawa et al.
6,888,358	B2	5/2005 Lechner et al.	7,719,662	B2	5/2010 Bamji et al.
D506,208	S *	6/2005 Jewitt et al. .... D14/487	7,720,277	B2	5/2010 Hattori
6,909,438	B1	6/2005 White et al.	D626,102	S	10/2010 Buzzard et al.
6,911,995	B2	6/2005 Ivanov et al.	D626,103	S	10/2010 Buzzard et al.
6,917,271	B2	7/2005 Zhang et al.	D628,175	S	11/2010 Desai et al.
			7,889,851	B2	2/2011 Shah et al.

# US D678,320 S

7,894,531 B1	2/2011	Cetin et al.		2007/0112966 A1	5/2007	Eftis et al.
D634,726 S *	3/2011	Harden et al. ....	D14/147	2007/0121353 A1	5/2007	Zhang et al.
D635,569 S	4/2011	Park		2007/0140337 A1	6/2007	Lim et al.
D635,975 S	4/2011	Seo et al.		2007/0153712 A1	7/2007	Fry et al.
D640,268 S *	6/2011	Jones et al. ....	D14/486	2007/0159523 A1	7/2007	Hillis et al.
D642,184 S *	7/2011	Brouwers et al. ....	D14/486	2007/0192381 A1	8/2007	Padmanabhan
7,990,422 B2	8/2011	Ahiska et al.		2007/0206091 A1	9/2007	Dunn et al.
8,000,559 B2	8/2011	Kwon		2007/0206556 A1	9/2007	Yegani et al.
D652,050 S *	1/2012	Chaudhri .....	D14/486	2007/0217406 A1	9/2007	Riedel et al.
8,132,100 B2 *	3/2012	Seo et al. ....	715/706	2007/0217500 A1	9/2007	Gao et al.
8,135,068 B1	3/2012	Alvarez et al.		2007/0229250 A1	10/2007	Recker et al.
D656,948 S *	4/2012	Knudsen et al. ....	D14/487	2007/0247470 A1	10/2007	Dhuey et al.
8,179,419 B2	5/2012	Girish et al.		2007/0250567 A1	10/2007	Graham et al.
8,209,632 B2 *	6/2012	Reid et al. ....	715/833	2007/0250620 A1	10/2007	Shah et al.
2002/0106120 A1	8/2002	Brandenburg et al.		2007/0263079 A1	11/2007	Graham et al.
2002/0118890 A1	8/2002	Rondinelli		2008/0077390 A1	3/2008	Nagao
2002/0131608 A1	9/2002	Lobb et al.		2008/0136896 A1	6/2008	Graham et al.
2002/0140804 A1	10/2002	Colmenarez et al.		2008/0151038 A1	6/2008	Khoury et al.
2002/0149672 A1	10/2002	Clapp et al.		2008/0212677 A1	9/2008	Chen et al.
2002/0186528 A1	12/2002	Huang		2008/0218582 A1	9/2008	Buckler
2003/0017872 A1	1/2003	Oishi et al.		2008/0240237 A1	10/2008	Tian et al.
2003/0048218 A1	3/2003	Milnes et al.		2008/0240571 A1	10/2008	Tian et al.
2003/0072460 A1	4/2003	Gonopolskiy et al.		2008/0256474 A1 *	10/2008	Chakra et al. ....
2003/0149724 A1	8/2003	Chang		2008/0297586 A1	12/2008	Kurtz et al.
2003/0160861 A1	8/2003	Barlow et al.		2008/0298571 A1	12/2008	Kurtz et al.
2003/0179285 A1	9/2003	Naito		2008/0303901 A1	12/2008	Variyath et al.
2003/0185303 A1	10/2003	Hall et al.		2009/0009593 A1	1/2009	Cameron et al.
2004/0038169 A1	2/2004	Mandelkern et al.		2009/0051756 A1	2/2009	Trachtenberg
2004/0039778 A1 *	2/2004	Read et al. ....	709/203	2009/0122867 A1	5/2009	Mauchly et al.
2004/0061787 A1	4/2004	Liu et al.		2009/0174764 A1	7/2009	Chadha et al.
2004/0091232 A1	5/2004	Appling, III		2009/0207233 A1	8/2009	Mauchly et al.
2004/0118984 A1	6/2004	Kim et al.		2009/0207234 A1	8/2009	Chen et al.
2004/0119814 A1	6/2004	Clisham et al.		2009/0228807 A1 *	9/2009	Lemay .....
2004/0164858 A1	8/2004	Lin		2009/0244257 A1	10/2009	MacDonald et al.
2004/0165060 A1	8/2004	McNelley et al.		2009/0256901 A1	10/2009	Mauchly et al.
2004/0178955 A1	9/2004	Menache et al.		2009/0322082 A1	12/2009	Wagoner
2004/0189463 A1	9/2004	Wathen		2009/0324023 A1	12/2009	Tian et al.
2004/0189676 A1	9/2004	Dischert		2010/0082557 A1	4/2010	Gao et al.
2004/0196250 A1	10/2004	Mehrotra et al.		2010/0118112 A1	5/2010	Nimri et al.
2004/0218755 A1	11/2004	Marton et al.		2010/0123770 A1	5/2010	Friel et al.
2004/0246962 A1	12/2004	Kopeikin et al.		2010/0171807 A1	7/2010	Tysso
2004/0254982 A1	12/2004	Hoffman et al.		2010/0171808 A1	7/2010	Harrell et al.
2004/0260796 A1	12/2004	Sundqvist et al.		2010/0183199 A1	7/2010	Smith et al.
2005/0007954 A1	1/2005	Sreemanthula et al.		2010/0199228 A1	8/2010	Latta et al.
2005/0024484 A1	2/2005	Leonard et al.		2010/0208078 A1	8/2010	Tian et al.
2005/0039142 A1 *	2/2005	Jalon et al. ....	715/823	2010/0225732 A1	9/2010	De Beer et al.
2005/0050246 A1	3/2005	Lakkakorpi et al.		2010/0225735 A1	9/2010	Shaffer et al.
2005/0081160 A1	4/2005	Wee et al.		2010/0277563 A1	11/2010	Gupta et al.
2005/0110867 A1	5/2005	Schulz		2010/0283829 A1	11/2010	De Beer et al.
2005/0117022 A1	6/2005	Marchant		2010/0306703 A1 *	12/2010	Bourganel et al. ....
2005/0129325 A1	6/2005	Wu		2010/0316232 A1	12/2010	Acero et al.
2005/0147257 A1	7/2005	Melchior et al.		2010/0325547 A1 *	12/2010	Keng et al. ....
2005/0248652 A1	11/2005	Firestone et al.		2011/0063467 A1	3/2011	Tanaka
2005/0251760 A1 *	11/2005	Sato et al. ....	715/856	2011/0085016 A1	4/2011	Kristiansen et al.
2005/0268823 A1	12/2005	Bakker et al.		2012/0120181 A1 *	5/2012	Kanalakis et al. ....
2006/0017807 A1	1/2006	Lee et al.				348/14.03
2006/0028983 A1	2/2006	Wright				
2006/0056056 A1	3/2006	Ahiska et al.				
2006/0066717 A1	3/2006	Miceli		EP	0 650 299	10/1994
2006/0082643 A1	4/2006	Richards		EP	0 714 081	11/1995
2006/0093128 A1	5/2006	Oxford		EP	0 740 177	4/1996
2006/0100004 A1	5/2006	Kim et al.		EP	143745 A2	10/2001
2006/0104470 A1	5/2006	Akino		EP	1 178 352 A1	6/2002
2006/0120307 A1	6/2006	Sahashi		EP	1 589 758 A1	10/2005
2006/0125691 A1	6/2006	Menache et al.		EP	1701308 A2	9/2006
2006/0126878 A1	6/2006	Takumai et al.		EP	1768058 A2	3/2007
2006/0152489 A1	7/2006	Sweetser et al.		EP	2073543 A1	6/2009
2006/0152575 A1	7/2006	Amiel et al.		EP	2255531	12/2010
2006/0158509 A1	7/2006	Kenoyer et al.		EP	22777308	1/2011
2006/0168302 A1	7/2006	Boskovic et al.		GB	2 294 605 A	5/1996
2006/0170769 A1	8/2006	Zhou		GB	2336266	10/1999
2006/0181607 A1	8/2006	McNelley et al.		GB	2355876 A	5/2001
2006/0200518 A1	9/2006	Sinclair et al.		WO	WO 96/21321	7/1996
2006/0256187 A1	11/2006	Sheldon et al.		WO	WO 97/08896	3/1997
2006/0284786 A1	12/2006	Takano et al.		WO	WO 98/47291	10/1998
2007/0039030 A1	2/2007	Romanowich et al.		WO	WO 99/59026	11/1999
2007/0040903 A1	2/2007	Kawaguchi		WO	WO 01/33840	5/2001
2007/0070177 A1	3/2007	Christensen		WO	WO 94/16517	5/2001
2007/0080845 A1	4/2007	Amand		WO	WO 2005/013001 A2	2/2005
				WO	WO 2005/031001 A3	2/2005

## FOREIGN PATENT DOCUMENTS

WO	WO 2006/072755	7/2006
WO	WO 2007/106157	9/2007
WO	WO 2007/123946	11/2007
WO	WO 2007/123960 A2	11/2007
WO	WO 2007/123960 A3	11/2007
WO	WO 2008/039371	4/2008
WO	WO 2008/040258	4/2008
WO	WO 2008/101117 A1	8/2008
WO	WO 2008/118887 A2	10/2008
WO	WO 2008/118887 A3	10/2008
WO	WO 2009/102503 A2	8/2009
WO	WO 2009/102503 A3	8/2009
WO	WO 2009/120814 A2	10/2009
WO	WO 2009/120814 A3	10/2009
WO	WO 2010/059481	5/2010
WO	WO 2010/096342	8/2010
WO	WO 2010/104765	9/2010
WO	WO 2010/132271	11/2010
WO	WO 2012/033716	3/2012
WO	WO2012/068008	5/2012
WO	WO2012/068010	5/2012
WO	WO2012/068485	5/2012

## OTHER PUBLICATIONS

“Eye Gaze Response Interface Computer Aid (Erica) tracks Eye movement to enable hands-free computer operation,” UMD Communication Sciences and Disorders Tests New Technology, University of Minnesota Duluth, posted Jan. 19, 2005; 4 pages <http://www.d.umn.edu/unirel/homepage/05/eyegaze.html>.

Gvili, Ronen et al., “Depth Keying,” 3DV System Ltd., [Retrieved and printed on Dec. 5, 2011] 11 pages; <http://research.microsoft.com/en-us/um/people/eyalofek/Depth%20Key/DepthKey.pdf>.

PCT Nov. 24, 2011 International Preliminary Report on Patentability from International Application Serial No. PCT/US2010/033880; 6 pages.

U.S. Appl. No. 12/234,291, filed Sep. 19, 2008, entitled “System and Method for Enabling Communication Sessions in a Network Environment,” Inventors: Yifan Gao et al.

U.S. Appl. No. 12/366,593, filed Feb. 5, 2009, entitled “System and Method for Depth Perspective Image Rendering,” Inventors: J. William Mauchly et al.

U.S. Appl. No. 12/475,075, filed May 29, 2009, entitled “System and Method for Extending Communications Between Participants in a Conferencing Environment,” Inventors: Brian J. Baldino et al.

U.S. Appl. No. 12/400,540, filed Mar. 9, 2009, entitled “System and Method for Providing Three Dimensional Video Conferencing in a Network Environment,” Inventors: Karthik Dakshinamoorthy et al.

U.S. Appl. No. 12/400,582, filed Mar. 9, 2009, entitled “System and Method for Providing Three Dimensional Imaging in a Network Environment,” Inventors: Shmuel Shaffer et al.

U.S. Appl. No. 12/539,461, filed Aug. 11, 2009, entitled “System and Method for Verifying Parameters in an Audiovisual Environment,” Inventor: James M. Alexander.

U.S. Appl. No. 12/463,505, filed May 11, 2009, entitled “System and Method for Translating Communications Between Participants in a Conferencing Environment,” Inventors: Marthinus F. De Beer et al.

U.S. Appl. No. 12/727,089, filed Mar. 18, 2010, entitled “System and Method for Enhancing Video Images in a Conferencing Environment,” Inventors: Joseph T. Friel.

U.S. Appl. No. 12/781,722, filed May 17, 2010, entitled “System and Method for Providing Retracting Optics in a Video Conferencing Environment,” Inventor(s): Joseph T. Friel, et al.

U.S. Appl. No. 12/877,833, filed Sep. 8, 2010, entitled “System and Method for Skip Coding During Video Conferencing in a Network Environment,” Inventors: Dihong Tian et al.

U.S. Appl. No. 12/870,687, filed Aug. 27, 2010, entitled “System and Method for Producing a Performance Via Video Conferencing in a Network Environment,” Inventors: Michael A. Arnao et al.

U.S. Appl. No. 12/912,556, filed Oct. 26, 2010, entitled “System and Method for Provisioning Flows in a Mobile Network Environment,” Inventors: Balaji Vankat Vankataswami, et al.

U.S. Appl. No. 12/949,614, filed Nov. 18, 2010, entitled “System and Method for Managing Optics in a Video Environment,” Inventors: Torence Lu, et al.

U.S. Appl. No. 12/873,100, filed Aug. 31, 2010, entitled “System and Method for Providing Depth Adaptive Video Conferencing,” Inventors: J. William Mauchly et al.

U.S. Appl. No. 12/946,679, filed Nov. 15, 2010, entitled “System and Method for Providing Camera Functions in a Video Environment,” Inventors: Peter A.J. Fornell, et al.

U.S. Appl. No. 12/946,695, filed Nov. 15, 2010, entitled “System and Method for Providing Enhanced Audio in a Video Environment,” Inventors: Wei Li, et al.

U.S. Appl. No. 12/907,914, filed Oct. 19, 2010, entitled “System and Method for Providing Videomail in a Network Environment,” Inventors: David J. Mackie et al.

U.S. Appl. No. 12/907,919, filed Oct. 19, 2010, entitled “System and Method for Providing Connectivity in a Network Environment,” Inventors: David J. Mackie et al.

U.S. Appl. No. 12/946,704, filed Nov. 15, 2010, entitled “System and Method for Providing Enhanced Graphics in a Video Environment,” Inventors: John M. Kanalakis, Jr., et al.

U.S. Appl. No. 12/957,116, filed Nov. 30, 2010, entitled “System and Method for Gesture Interface Control,” Inventors: Shuan K. Kirby, et al.

U.S. Appl. No. 12/907,925, filed Oct. 19, 2010, entitled “System and Method for Providing a Pairing Mechanism in a Video Environment,” Inventors: Gangfeng Kong et al.

U.S. Appl. No. 12/939,037, filed Nov. 3, 2010, entitled “System and Method for Managing Flows in a Mobile Network Environment,” Inventors: Balaji Venkat Vankataswami et al.

U.S. Appl. No. 12/946,709, filed Nov. 15, 2010, entitled “System and Method for Providing Enhanced Graphics in a Video Environment,” Inventors: John M. Kanalakis, Jr., et al.

U.S. Appl. No. 12/784,257, filed May 20, 2010, entitled “Implementing Selective Image Enhancement,” Inventors: Dihong Tian et al.

U.S. Appl. No. 29/375,624, filed Sep. 24, 2010, entitled “Mounted Video Unit,” Inventor(s): Ashok T. Desai et al.

U.S. Appl. No. 29/375,627, filed Sep. 24, 2010, entitled “Mounted Video Unit,” Inventor(s): Ashok T. Desai et al.

U.S. Appl. No. 29/369,951, filed Sep. 15, 2010, entitled “Video Unit With Integrated Features,” Inventor(s): Kyle A. Buzzard et al.

U.S. Appl. No. 29/375,458, filed Sep. 22, 2010, entitled “Video Unit With Integrated Features,” Inventor(s): Kyle A. Buzzard et al.

U.S. Appl. No. 29/358,009, filed Mar. 21, 2010, entitled “Free-Standing Video Unit,” Inventor(s): Ashok T. Desai et al.

U.S. Appl. No. 29/375,619, filed Sep. 24, 2010, entitled “Freestanding Video Unit,” Inventor(s): Ashok T. Desai et al.

PCT “International Search Report and the Written Opinion of the International Searching Authority, or the Declaration,” PCT/US2010/026456, dated Jun. 29, 2010; 11 pages.

PCT “Notification of Transmittal of the International Search Report and the Written Opinion of the International Searching Authority, or the Declaration,” PCT/US2009/001070, dated Apr. 4, 2009; 14 pages.

PCT “Notification of Transmittal of the International Search Report and the Written Opinion of the International Searching Authority, or the Declaration,” PCT/US2009/038310; dated Oct. 10, 2009; 17 pages.

PCT “International Preliminary Report on Patentability and Written Opinion of the International Searching Authority,” PCT/US2009/038310; dated Sep. 28, 2010; 10 pages.

PCT “International Preliminary Report on Patentability dated Sep. 29, 2009, International Search Report, and Written Opinion,” for PCT International Application PCT/US2008/058079; dated Sep. 18, 2008, 10 pages.

“3D Particles Experiments in AS3 and Flash CS3,” [retrieved and printed on Mar. 18, 2010]; 2 pages; <http://www.flashandmath.com/advanced/fourparticles/notes.html>.

3G, “World’s First 3G Video Conference Service with New TV Commercial,” Apr. 28, 2005, 4 pages; <http://www.3g.co.uk/Pr/Apr12005/1383.htm>.

Digital Video Enterprises, “DVE Eye Contact Silhouette,” 1 page, © DVE 2008; <http://www.dvetelepresence.com/products/eyeContactSilhouette.asp>.

France Telecom R&D, “France Telecom’s Magic Telepresence Wall—Human Productivity Lab,” 5 pages, retrieved and printed on

- May 17, 2010; [http://www.humanproductivitylab.com/archive\\_blogs/2006/07/11/france\\_telecoms\\_magic\\_telepres\\_1.php](http://www.humanproductivitylab.com/archive_blogs/2006/07/11/france_telecoms_magic_telepres_1.php).
- Joshua Gluckman and S.K. Nayar, "Rectified Catadioptric Stereo Sensors," 8 pages, retrieved and printed on May 17, 2010; <http://cis.poly.edu/~gluckman/papers/cypr00.pdf>.
- R.V. Kollarits, et al., "34.3: An Eye Contact Camera/Display System for Videophone Applications Using a Conventional Direct-View LCD," © 1995 SID, ISSN0097-0966X/95/2601, pp. 765-68; <http://citeseerx.ist.psu.edu/viewdoc/download;jsessionid=47A1E7E028C26503975E633895D114EC?doi=10.1.1.42.1772&rep=rep1&type=pdf>.
- Trevor Darrell, "A Real-Time Virtual Mirror Display," 1 page, Sep. 9, 1998; <http://people.csail.mit.edu/trevor/papers/1998-021/node6.html>.
- Video on TED.com, Pranav Mistry: the Thrilling Potential of SixthSense Technology (5 pages) and Interactive Transcript (5 pages), retrieved and printed on Nov. 30, 2010; [http://www.ted.com/talks/pranav\\_mistry\\_the\\_thrilling\\_potential\\_of\\_sixthsense\\_technology.html](http://www.ted.com/talks/pranav_mistry_the_thrilling_potential_of_sixthsense_technology.html).
- U.S. Appl. No. 13/096,772, filed Apr. 28, 2011, entitled "System and Method for Providing Enhanced Eye Gaze in a Video Conferencing Environment," Inventor(s): Charles C. Byers.
- U.S. Appl. No. 13/106,002, filed May 12, 2011, entitled "System and Method for Video Coding in a Dynamic Environment," Inventors: Dihong Tian et al.
- U.S. Appl. No. 13/098,430 filed Apr. 30, 2011, entitled "System and Method for Transferring Transparency Information in a Video Environment," Inventors: Eddie Collins et al.
- U.S. Appl. No. 13/096,795, filed Apr. 28, 2011, entitled "System and Method for Providing Enhanced Eye Gaze in a Video Conferencing Environment," Inventors: Charles C. Byers.
- EPO Feb. 25, 2011 Communication for EP09725288.6; 4 pages.
- Cumming, Jonathan, "Session Border Control in IMS, An Analysis of the Requirements for Session Border Control in IMS Networks," Sections 1.1, 1.1.1, 1.1.3, 1.1.4, 2.1.1, 3.2, 3.3.1, 5.2.3 and pages 7-8, Data Connection, 2005.
- Jong-Gook Ko et al., "Facial Feature Tracking and Head Orientation-Based Gaze Tracking," ITC-CSCC 2000, International Technical Conference on Circuits/Systems, Jul. 11-13, 2000, 4 pages <http://www.umiacs.umd.edu/~knkim/paper/itc-csc-2000-jgko.pdf>.
- Veratech Corp., "Phantom Sentinel," © VeratechAero 2006, 1 page; <http://www.veratechcorp.com/phantom.html>.
- PCT Sep. 13, 2011 International Preliminary Report on Patentability and the Written Opinion of the ISA from PCT/US2010/026456; 5 pages.
- PCT Oct. 12, 2011 International Search Report and Written Opinion of the ISA from PCT/US2011/050380.
- Patterson, E.K., et al., "Moving-Talker, Speaker-Independent Feature Study and Baseline Results Using the CUAVE Multimodal Speech Corpus," EURASIP Journal on Applied Signal Processing, vol. 11, Oct. 2002, 15 pages [http://www.clemson.edu/ces/speech/papers/CUAVE\\_Eurasip2002.pdf](http://www.clemson.edu/ces/speech/papers/CUAVE_Eurasip2002.pdf).
- Perez, Patrick, et al., "Data Fusion for Visual Tracking with Particles," Proceedings of the IEEE, vol. XX, No. XX, Feb. 2004, 18 pages <http://citeseerist.psu.edu/viewdoc/summary?doi=10.1.1.6.2480>.
- Potamianos, G., et al., "An Image Transform Approach for HMM Based Automatic Lipreading," in Proceedings of IEEE ICIP, vol. 3, 1998, 5 pages <http://citeseerx.ist.psu.edu/viewdoc/summary?doi=10.1.1.13.6802>.
- Rikert, T.D., et al., "Gaze Estimation using Morphable models," IEEE International Conference on Automatic Face and Gesture Recognition, Apr. 1998; 7 pgs. <http://citeseerist.psu.edu/viewdoc/summary?doi=10.1.1.30.9472>.
- Tan, Kar-Han, et al., "Appearance-Based Eye Gaze Estimation," In Proceedings IEEE WACV'02, 2002, 5 pages <http://citeseer.ist.psu.edu/viewdoc/summary?doi=10.1.1.19.8921>.
- Vertegaal, Roel, et al., "GAZE-2: Conveying Eye Contact in Group Video Conferencing Using Eye-Controlled Camera Direction," CHI 2003, Apr. 5-10, 2003, Fort Lauderdale, FL; Copyright 2003 ACM 1-58113-630-7/03/0004; 8 pages; <http://www.hml.queensu.ca/papers/vertegaalchi0403.pdf>.
- Weinstein et al., "Emerging Technologies for Teleconferencing and Telepresence," Wainhouse Research 2005 <http://www.ivci.com/pdf/whitepaper-emerging-technologies-for-teleconferencing-and-telepresence.pdf>.
- U.S. Appl. No. 12/950,786, filed Nov. 19, 2010, entitled "System and Method for Providing Enhanced Video Processing in a Network Environment," Inventor[s]: David J. Mackie.
- U.S. Appl. No. 29/381,245, filed Dec. 16, 2010, entitled "Interface Element," inventor(s): John M. Kanalakakis, Jr., et al.
- U.S. Appl. No. 29/381,250, filed Dec. 16, 2010, entitled "Interface Element," Inventor(s): John M. Kanalakakis, Jr., et al.
- U.S. Appl. No. 29/381,254, filed Dec. 16, 2010, entitled "Interface Element," Inventor(s): John M. Kanalakakis, Jr., et al.
- U.S. Appl. No. 29/381,256, filed Dec. 16, 2010, entitled "Interface Element," Inventor(s): John M. Kanalakakis, Jr., et al.
- U.S. Appl. No. 29/381,259, filed Dec. 16, 2010, entitled "Interface Element," Inventor(s): John M. Kanalakakis, Jr., et al.
- U.S. Appl. No. 29/381,260, filed Dec. 16, 2010, entitled "Interface Element," Inventor(s): John M. Kanalakakis, Jr., et al.
- U.S. Appl. No. 29/381,264, filed Dec. 16, 2010, entitled "Interface Element," Inventor(s): John M. Kanalakakis, Jr., et al.
- Active8-3D—Holographic Projection—3D Hologram Retail Display & Video Project, [retrieved and printed on Feb. 24, 2009], [http://www.activ8-3d.co.uk/3d\\_holocubes/](http://www.activ8-3d.co.uk/3d_holocubes/); 1 page.
- Andersson, L., al., "LDP Specification," Network Working Group, RFC 3036, Jan. 2001, 133 pages; <http://tools.ietf.org/html/rfc3036>.
- Arrington, Michael, "eJamming—Distributed Jamming," TechCrunch; Mar. 16, 2006; <http://www.techcrunch.com/2006/03/16/ejamming-distributed-jamming/>; 1 page.
- Avrithis, Y., et al., "Color-Based Retrieval of Facial Images," European Signal Processing Conference (EUSIPCO '00), Tampere, Finland; Sep. 2000; <http://www.image.ece.ntua.gr/~ntsap/presentations/eusipco00.ppt#256>; 18 pages.
- Awduche, D., et al., "Requirements for Traffic Engineering over MPLS," Network Working Group, RFC 2702, Sep. 1999, 30 pages; <http://tools.ietf.org/pdf/rfc2702.pdf>.
- Bakstein, Hynek, et al., "Visual Fidelity of Image Based Rendering," Center for Machine Perception, Czech Technical University, Proceedings of the Computer Vision, Winter 2004, <http://www.benogo.dk/publications/Bakstein-Pajdla-CVWW04.pdf>; 10 pages.
- Beesley, S.T.C., et al., "Active Macroblock Skipping in the H.264 Video Coding Standard," in Proceedings of 2005 Conference on Visualization, Imaging, and Image Processing—VIP 2005, Sep. 7-9, 2005, Benidorm, Spain, Paper 480-261. ACTA Press, ISBN: 0-88986-528-0; 5 pages.
- Berzin, O., et al., "Mobility Support Using MPLS and MP-BGP Signaling," Network Working Group, Apr. 28, 2008, 60 pages; <http://www.potaroo.net/ietf/all-ids/draft-berzin-malis-mpis-mobility-01.txt>.
- Boccaccio, Jeff; CEPro, "Inside HDMI CEC: The Little-Known Control Feature," Dec. 28, 2007; [http://www.cepro.com/article/print/inside\\_hdmi\\_ccc\\_the\\_little\\_known\\_control\\_feature](http://www.cepro.com/article/print/inside_hdmi_ccc_the_little_known_control_feature); 2 pages.
- Bücken R: "Biidfernsprechen: Videokonferenz vom Arbeitsplatz aus" Funkschau, Weka Fachzeitschriften Verlag, Poing, DE, No. 17, Aug. 14, 1986, pp. 41-43, XP002537729; ISSN: 0016-2841, p. 43, left-hand column, line 34—middle column, line 24.
- Chan, Eric, et al., "Experiments on block-matching techniques for video coding," Multimedia Systems; 9 Springer-Verlag 1994, Multimedia Systems (1994) 2 pages.
- Chen et al., "Toward a Compelling Sensation of Telepresence: Demonstrating a Portal to a Distant (Static) Office," Proceedings Visualization 2000; VIS 2000; Salt Lake City, UT, Oct. 8-13, 2000; Annual IEEE Conference on Visualization, Los Alamitos, CA; IEEE Comp. Soc., US, Jan. 1, 2000; pp. 327-333; <http://citeseerx.ist.psu.edu/viewdoc/summary?doi=10.1.1.35.1287>.
- Chen, Jason, "iBluetooth Lets iPhone Users Send and Receive Files Over Bluetooth," Mar. 13, 2009; <http://i.gizmodo.com/5169545/ibluetooth-lets-iphone-users-send-and-receive-files-over-bluetooth/>; 1 page.
- Chen, Qing, et al., "Real-time Vision-based Hand Gesture Recognition Using Haar-like Features," Instrumentation and Measurement Technology Conference, Warsaw, Poland, May 1-3, 2007, 6 pages;

- <http://www.google.com/url?sa=t&source=web&cd=1&ved=0CB4QFjAA&url=http%3A%2F%2Fciteseerx.ist.psu.edu%2Fviewdoc%2Fdownload%3Fdoi%3D10.1.1.93.103%26rep%3Drep1%26type%3Dpdf&ei=A28RTLKRDefnQeXzZGRaw&usq=AFQjCNHpwj5MwjGp-3goVzSWad6CO-jzw>.
- "Cisco Expo Germany 2009 Opening," Posted on YouTube on May 4, 2009; <http://www.youtube.com/watch?v=SDKsaSlz4MK>; 2 pages.
- Cisco; Bill Mauchly and Mod Marathe; UNC; Henry Fuchs, et al., "Depth-Dependent Perspective Rendering," Apr. 15, 2008; 6 pages.
- Costa, Cristina, et al., "Quality Evaluation and Nonuniform Compression of Geometrically Distorted Images Using the Quadtree Distortion Map," EURASIP Journal on Applied Signal Processing, Jan. 7, 2004, vol. 2004, No. 12; © 2004 Hindawi Publishing Corp.; XP002536356; ISSN: 1110-8657; pp. 1899-1911; <http://downloads.hindawi.com/journals/asp/2004/470826.pdf>.
- Criminisi, A., et al., "Efficient Dense-Stereo and Novel-view Synthesis for Gaze Manipulation in One-to-one Teleconferencing," Technical Rpt MSR-TR-2003-59, Sep. 2003 [retrieved and printed on Feb. 26, 2009], [http://research.microsoft.com/pubs/67266/criminisi\\_techrep2003-59.pdf](http://research.microsoft.com/pubs/67266/criminisi_techrep2003-59.pdf), 41 pages.
- "Custom 3D Depth Sensing Prototype System for Gesture Control," 3D Depth Sensing, GestureTek, 3 pages; [Retrieved and printed on Dec. 1, 2010] <http://www.gesturetek.com/3dddepth/introduction.php>.
- Daly, S., et al., "Face-based visually-optimized image sequence coding," Image Processing, 1998, ICIP 98, Proceedings; 1998 International Conference on Chicago, IL; Oct. 4-7, 1998, Los Alamitos; IEEE Computing; vol. 3, Oct. 4, 1998; ISBN: 978-0-8186-8821-8; XP010586786; pp. 443-447.
- Diaz, Jesus, "Zcam 3D Camera is Like Wii Without Wiimote and Minority Report Without Gloves," Dec. 15, 2007; <http://gizmodo.com/gadgets/zcam-depth-camera-could-be-wii-challenger/zcam-3d-camera-is-like-wii-without-wiimote-and-minority-report-without-gloves-334426.php>; 3 pages.
- Diaz, Jesus, iPhone Bluetooth File Transfer Coming Soon (YES!); Jan. 26, 2009; <http://i.gizmodo.com/5138797/iphone-bluetooth-file-transfer-coming-soon-yes>; 1 page.
- DVE Digital Video Enterprises, "DVE Tele-Immersion Rooms," [retrieved and printed on Feb. 5, 2009] [http://www.dvetelpresence.com/products/immersion\\_com.asp](http://www.dvetelpresence.com/products/immersion_com.asp); 2 pages.
- "Dynamics Displays," copyright 2005-2008 [retrieved and printed on Feb. 24, 2009] [http://www.zebraimaging.com/html/lighting\\_display.html](http://www.zebraimaging.com/html/lighting_display.html), 2 pages.
- ECmag.com, "IBS Products," Published Apr. 2009; <http://www.ecmag.com/index.cfm?fa=article&articleID=10065>; 2 pages.
- eJamming Audio, Learn More; [retrieved and printed on May 27, 2010] <http://www.ejamming.com/learnmore/>; 4 pages.
- Electrophysics Glossary, "Infrared Cameras, Thermal Imaging, Night Vision, Roof Moisture Detection," [retrieved and printed on Mar. 18, 2010] [http://www.electrophysics.com/Browse/Brw\\_Glossary.asp](http://www.electrophysics.com/Browse/Brw_Glossary.asp); 11 pages.
- Farukh, A., et al., Automated Segmentation of Skin-Tone Regions in Video Sequences, Proceedings IEEE Students Conference, ISCON\_02; Aug. 16-17, 2002; pp. 122-128.
- Fiala, Mark, "Automatic Projector Calibration Using Self-Identifying Patterns," National Research Council of Canada, Jun. 20-26, 2005; <http://www.procams.org/procams2005/papers/procams05-36.pdf>; 6 pages.
- Foote, J., et al., "Flycam: Practical Panoramic Video and Automatic Camera Control," in Proceedings of IEEE International Conference on Multimedia and Expo, vol. III, Jul. 30, 2000; pp. 1419-1422; <http://citeseerx.ist.psu.edu/viewdoc/versions?doi=10.1.1.138.8686>.
- Freeman, Professor Wilson T., Computer Vision Lecture Slides, "6.869 Advances in Computer Vision: Learning and Interfaces," Spring 2005; 21 pages.
- Gemmill, Jim, et al., "Gaze Awareness for Video-conferencing; A Software Approach," IEEE MultiMedia, Oct.-Dec. 2000; vol. 7, No. 4, pp. 26-35.
- Gotchev, Atanas, "Computer Technologies for 3D Video Delivery for Home Entertainment," International Conference on Computer Systems and Technologies; ComoSysTech, Jun. 12-13, 2008; <http://ecet.ecs.ru.acad.bg/cst08/docs/cp/Plenary/P.1.pdf>; 6 pages.
- Gries, Dan, "3D Particles Experiments in AS3 and Fash CS3, Dan's Comments" [retrieved and printed on May 24, 2010] <http://www.flashandmath.com/advanced/fourparticles/notes.html>; 3 pages.
- Guernsey, Lisa, "Toward Better Communication Across the Language Barrier," Jul. 29, 1999; <http://www.nytimes.com/1999/07/29/technology/toward-better-communication-across-the-language-barrier.html>; 2 pages.
- Guili, D., et al., "Orchestral: A Distributed Platform for Virtual Musical Groups and Music Distance Learning over the Internet in Java™ Technology" ; [retrieved and printed on Jun. 6, 2010] <http://ieeexplore.ieee.org/stamp/stamp.jsp?tp=&arnumber=778626>; 2 pages.
- Gundavelli, S., et al., "Proxy Mobile IPv6," Network Working Group, RFC S213, Aug. 2008, 93 pages; <http://tools.ietf.org/pdf/rfc5213.pdf>.
- Habili, Nariman, et al., "Segmentation of the Face and Hands in Sign Language Video Sequences Using Color and Motion Cues" IEEE Transaction on Circuits and Systems for Video Technology, IEEE Service Center, vol. 14, No. 8, Aug. 1, 2004; ISSN: 1051-8215; XP011115755; pp. 1085-1097.
- He, L., et al., "The Virtual Cinematographer: A Paradigm for Automatic Real-Time Camera Control and Directing," Proc. SIGGRAPH, © 1996; <http://research.microsoft.com/en-us/um/people/lhe/papers/siggraph96.vc.pdf>; 8 pages.
- Hepper D., "Efficiency Analysis and Application of Uncovered Background Prediction in a Low BitRate Image Coder," IEEE Transactions on Communications, vol. 38, No. 9, pp. 1578-1584, Sep. 1990.
- Holographic imaging, "Dynamic Holography for scientific uses, military heads up display and even someday HoloTV Using TI's DMD," [retrieved and printed on Feb. 26, 2009] [http://innovation.swmed.edu/research/instrumentation/res\\_inst\\_dev3d.html](http://innovation.swmed.edu/research/instrumentation/res_inst_dev3d.html); 5 pages.
- Hornbeck, Larry J., "Digital Light Processing™: A New MEMS-Based Display Technology," [retrieved and printed on Feb. 26, 2009] [http://focus.ti.com/pdfs/dlpdmd/17\\_Digital\\_Light\\_Processing\\_MEMS\\_display\\_technology.pdf](http://focus.ti.com/pdfs/dlpdmd/17_Digital_Light_Processing_MEMS_display_technology.pdf); 22 pages.
- "Infrared Cameras TVS-200-EX," [retrieved and printed on May 24, 2010] [http://www.electrophysics.com/Browse/Brw\\_ProductLineCategory.asp?CategoryID=184&Area=IS](http://www.electrophysics.com/Browse/Brw_ProductLineCategory.asp?CategoryID=184&Area=IS); 2 pages.
- IR Distribution Category @ Envio Technology, "IR Distribution Category," [retrieved and printed on Apr. 22, 2009] <http://www.envioustechnology.com.au/products/product-list.php?CID=305>; 2 pages.
- IR Trans—Products and Orders—Ethernet Devices, [retrieved and printed on Apr. 22, 2009] <http://www.irtrans.de/en/shop/lan.php>; 2 pages.
- Isgro, Francesco et al., "Three-Dimensional Image Processing in the Future of Immersive Media," IEEE Transactions on Circuits and Systems for Video Technology, vol. 14, No. 3; XP011108796; ISSN: 1051-8215; Mar. 1, 2004; pp. 288-303.
- Itoh, Hiroyasu, et al., "Use of a gain modulating framing camera for time-resolved imaging of cellular phenomena," SPIE vol. 2979, 1997, pp. 733-740.
- Jamoussi, Bamii, "Constraint-Based LSP Setup Using LDP," MPLS Working Group, Sep. 1999, 34 pages; <http://tools.ietf.org/html/draft-ietf-mpls-cr-ldp-03>.
- Jeyatharan, M., et al., "3GPP TFT Reference for Flow Binding," MEXT Working Group, Mar. 2, 2010, 11 pages; <http://www.ietf.org/id/draft-jeyatharan-mext-flow-tftemp-reference-00.txt>.
- Jiang, Minqiang, et al., "On Lagrange Multiplier and Quantizer Adjustment for H.264 Frame-layer Video Rate Control," IEEE Transactions on Circuits and Systems for Video Technology, vol. 16, issue 5, May 2006, pp. 663-669.
- Kannangara, C.S., et al., "Complexity Reduction of H.264 Using Lagrange Multiplier Methods," IEEE Int. Conf. on Visual Information Engineering, Apr. 2005; [www.rgu.ac.uk/files/h264\\_complexity\\_kannangara.pdf](http://www.rgu.ac.uk/files/h264_complexity_kannangara.pdf); 6 pages.
- Kannangara, C.S., et al., "Low Complexity Skip Prediction for H.264 through Lagrangian Cost Estimation," IEEE Transactions on Circuits and Systems for Video Technology, vol. 16, No. 2, Feb. 2006; [www.rgu.ac.uk/files/h264\\_skippredict\\_richardson\\_final.pdf](http://www.rgu.ac.uk/files/h264_skippredict_richardson_final.pdf); 20 pages.

- Kauff, Peter, et al., "An immersive 3D Video-Conferencing System Using Shared Virtual Team User Environments," Proceedings of the 4th International Conference on Collaborative Virtual Environments, XP040139458; Sep. 30, 2002; [http://ip.hhi.de/imedia\\_G3/assets/pdfs/CVE02.pdf](http://ip.hhi.de/imedia_G3/assets/pdfs/CVE02.pdf); 8 pages.
- Kazutake, Uehira, "Simulation of 3D image depth perception in a 3D display using two stereoscopic displays at different depths," Jan. 30, 2006; <http://adsabs.harvard.edu/abs/2006SPIE.6055.408U>; 2 pages.
- Keijser, Jeroen et al., "Exploring 3D Interaction in Alternate Control-Display Space Mappings," IEEE Symposium on 3D User Interfaces, Mar. 10-12, 2007, pp. 17-24.
- Kim, Y.H., et al., "Adaptive mode decision for H.264 encoder," Electronics letters, vol. 40, Issue 19, pp. 1172-1173, Sep. 2004; 2 pages.
- Klint, Josh, "Deferred Rendering in Leadwerks Engine," Copyright Leadwerks Corporation © 2008; [http://www.leadwerks.com/files/Deferred\\_rendering\\_in\\_Leadwerks\\_Engine.pdf](http://www.leadwerks.com/files/Deferred_rendering_in_Leadwerks_Engine.pdf); 10 pages.
- Kolsch, Mathias, "Vision Based Hand Gesture Interfaces for Wearable Computing and Virtual Environments," A Dissertation submitted in partial satisfaction of the requirements for the degree of Doctor of Philosophy in Computer Science, University of California, Santa Barbara, Nov. 2004; 288 pages; <http://fulfillment.umi.com/dissertations/b7afbcb56ba72fdb14d26dfcc6b470f1291487062/3143800.pdf>.
- Koyama, S. et al., "A Day and Night Vision MOS Imager with Robust Photonic-Crystal-Based RGB-and-IR," Mar. 2008, pp. 754-759; ISSN: 0018-9383; IEE Transactions on Electron Devices, vol. 55, No. 3; <http://ieeexplore.ieee.org/stamp/stamp.jsp?tp=&acnumber=4455782&isnumber=4455723>.
- Lawson, S., "Cisco Plans TelePresence Translation Next Year," Dec. 9, 2008; [http://www.pcworld.com/article/155237/.html?tk=rss\\_news](http://www.pcworld.com/article/155237/.html?tk=rss_news); 2 pages.
- Lee, J. and Jeon, B., "Fast Mode Decision for H.264," ISO/IEC MPEG and ITU-T VCEG Joint Video Team, Doc. JVT-J033, Dec. 2003; [http://media.skku.ac.kr/publications/paper/IntC/Ijy\\_ICME2004.pdf](http://media.skku.ac.kr/publications/paper/IntC/Ijy_ICME2004.pdf); 4 pages.
- Liu, Z., "Head-Size Equalization for Better Visual Perception of Video Conferencing," Proceedings, IEEE International Conference on Multimedia & Expo (ICME2005), Jul. 6-8, 2005, Amsterdam, The Netherlands; <http://research.microsoft.com/users/cohen/HeadSizeEqualizationICME2005.pdf>; 4 pages.
- Mann, S. et al., "Virtual Bellows: Constructing High Quality Still from Video," Proceedings, First IEEE International Conference on Image Processing ICIP-94, Nov. 13-16, 1994, Austin, TX; <http://citeseerx.ist.psu.edu/viewdoc/summary?doi=10.1.1.50.8405>; 5 pages.
- Marvin Imaging Processing Framework, "Skin-colored pixels detection using Marvin Framework," video clip, YouTube, posted Feb. 9, 2010 by marvinproject, 1 page; <http://www.youtube.com/user/marvinproject#p/a/u/0/3ZuQHYNIclr>.
- Miller, Gregor, et al., "Interactive Free-Viewpoint Video," Centre for Vision, Speech and Signal Processing, [retrieved and printed on Feb. 26, 2009], <http://www.ee.surrey.ac.uk/CVSSP/VMRG/Publications/miller05cvmp.pdf>, 10 pages.
- Miller, Paul, "Microsoft Research patents controller-free computer input via EMG muscle sensors," Engadget.com, Jan. 3, 2010, 1 page; <http://www.engadget.com/2010/03/microsoft-research-patents-controller-free-computer-input-via-em/>.
- "Minoru from Novo is the worlds first consumer 3D Webcam," Dec. 11, 2008; <http://www.minoru3d.com>; 4 pages.
- Mitsubishi Electric Research Laboratories, copyright 2009 [retrieved and printed on Feb. 26, 2009], <http://www.merl.com/projects/3dvt>, 2 pages.
- National Training Systems Association Home—Main, Interservice/Industry Training, Simulation & Education Conference, Dec. 1-4, 2008; <http://ntsa.metapress.com/app/home/main.asp?referrer=default>; 1 page.
- Oh, Hwang-Seok, et al., "Block-Matching Algorithm Based on Dynamic Search Window Adjustment," Dept. of CS, KAIST, 1997, 6 pages; <http://citeseerx.ist.psu.edu/viewdoc/similar?doi=10.1.1.29.8621&type=ab>.
- Opera Over Cisco TelePresence at Cisco Expo 2009, in Hannover Germany—Apr. 28, 29, posted on YouTube on May 5, 2009; <http://www.youtube.com/watch?v=xN5jNH5E-38>; 1 page.
- OptoIQ, "Vision + Automation Products—VideometerLab 2," [retrieved and printed on Mar. 18, 2010], <http://www.optoiq-2/en-us/index/machine-vision-imaging-processing/display/vsd-articles-tools-template.articles.vision.systems.design.volume-11.issue-10.departments.new-products.vision-automation-products.htmlhtml>; 11 pages.
- OptoIQ, "Anti-Speckle Techniques Uses Dynamic Optics," Jun. 1, 2009; <http://www.optoiq.com/index/photronics-technologies-applications/lfw-display/lfw-article-display/363444/articles/optoiq2/photronics-technologies/technology-products/optical-components/optical-mems/2009/12/anti-speckle-technique-uses-dynamic-optics/QP129867/cmpid=EnIOptoLFWJanuary132010.html>; 2 pages.
- OptoIQ, "Smart Camera Supports Multiple Interfaces," Jan. 22, 2009; <http://www.optoiq.com/index/machine-vision-imaging-processing/display/vsd-article-display/350639/articles/vision-systems-design/daily-product-2/2009/01/smart-camera-supports-multiple-interfaces.html>; 2 pages.
- OptoIQ, "Vision Systems Design—Machine Vision and Image Processing Technology," [retrieved and printed on Mar. 18, 2010], <http://www.optoiq.com/index/machine-vision-imaging-processing.html>; 2 pages.
- Payatagool, Chris, "Orchestral Manoeuvres in the Light of Telepresence," Telepresence Options, Nov. 12, 2008; [http://www.telepresenceoptions.com/2008/11/orchestral\\_manoeuvres](http://www.telepresenceoptions.com/2008/11/orchestral_manoeuvres); 2 pages.
- PCT International Preliminary Report on Patentability mailed Aug. 26, 2010 for PCT/US2009/001070; 10 pages.
- PCT International Report of Patentability dated May 15, 2006, for PCT International Application PCT/US2004/021585, 6 pages.
- PCT International Search Report mailed Aug. 24, 2010 for PCT/US2010033880; 4 pages.
- PCT Notification of Transmittal of the international Search Report and the Written Opinion of the International Searching Authority, or the Declaration for PCT/US2009/064061 mailed Feb. 23, 2010; 14 pages.
- Pixel Tools "Rate Control and H.264: H.264 rate control algorithm dynamically adjusts encoder parameters," [retrieved and printed on Jun. 10, 2010] [http://www.pixeltools.com/rate\\_control\\_paper.html](http://www.pixeltools.com/rate_control_paper.html); 7 pages.
- Radhika, N., et al., "Mobile Dynamic reconfigurable Context aware middleware for Adhoc smart spaces," vol. 22, 2008; <http://www.acadjournal.com/2002/V22/part6/p7>; 3 pages.
- Rayvel Business-to-Business Products, copyright 2004 [retrieved and printed on Feb. 24, 2009] <http://www.rayvel.com/b2b.html>; 2 pages.
- "Real-time Hand Motion/Gesture Detection for HCI-Demo 2," video clip, YouTube, posted Dec. 17, 2008 by smmy0705, 1 page; [www.youtube.com/watch?v=mLT4CFLI8A&feature=related](http://www.youtube.com/watch?v=mLT4CFLI8A&feature=related).
- Richardson, I.E.G., et al., "East H.264 Skip Mode Selection Using and Estimation Framework," Picture Coding Symposium, (Beijing, China), Apr. 2006; [www.rgu.ac.uk/files/richardson\\_fast\\_skip\\_estimation\\_pcs06.pdf](http://www.rgu.ac.uk/files/richardson_fast_skip_estimation_pcs06.pdf); 6 pages.
- Richardson, Iain, et al., "Video Encoder Complexity Reduction by Estimating Skip Mode Distortion," Image Communication Technology Group, [Retrieved and printed Oct. 21, 2010] 4 pages; [http://www4.rgu.ac.uk/files/ICIP04\\_richardson\\_zhao\\_final.pdf](http://www4.rgu.ac.uk/files/ICIP04_richardson_zhao_final.pdf).
- "Robust Face Localisation Using Motion, Colour & Fusion"; Proc. VIIth Digital Image Computing: Techniques and Applications, Sun C. et al (Eds), Sydney; XP007905639; pp. 899-908; Dec. 10, 2003; <http://www.cmis.csiro.au/Hugues.Talbot/dicta2003/cdrom/pdf/0899.pdf>.
- Satoh, Kiyohide et al., "Passive Depth Acquisition for 3D Image Displays", IEICE Transactions on Information and Systems, Information Systems Society, Tokyo, JP, Sep. 1, 1994, vol. E77-D, No. 9, pp. 949-957.
- School of Computing, "Bluetooth over IP for Mobile Phones," 2005; [http://www.computing.dcu.ie/wwwadmin/fyp-abstract/list/fyp\\_details.05.jsp?year=2005&number=51470574](http://www.computing.dcu.ie/wwwadmin/fyp-abstract/list/fyp_details.05.jsp?year=2005&number=51470574); 1 page.
- Schroeder, Erica, "The Next Top—Model Collaboration," Collaboration, The Workplace: A New World of Communications and Collaboration, Mar. 9, 2009; [http://blogs.cisco.com/collaboration/comments/the\\_next\\_top\\_model](http://blogs.cisco.com/collaboration/comments/the_next_top_model); 3 pages.

- Sena, "Industrial Bluetooth," [retrieved and printed on Apr. 22, 2009] [http://www.sena.com/products/industrial\\_bluetooth](http://www.sena.com/products/industrial_bluetooth); 1 page.
- Shaffer, Shmuel, "Translation—State of the Art" presentation, Jan. 15, 2009; 22 pages.
- Shi, C. et al., "Automatic Image Quality Improvement for Videoconferencing," IEEE ICASSP May 2004; <http://research.microsoft.com/pubs/69079/0300701.pdf>; 4 pages.
- Shurn, H.-Y, et al., "A Review of Image-Based Rendering Techniques," in SPIE Proceedings vol. 4067(3); Proceedings of the Conference on Visual Communications and Image Processing 2000, Jun. 20-23, 2000, Perth, Australia; pp. 2-13; [https://research.microsoft.com/pubs/68826/review\\_image\\_rendering.pdf](https://research.microsoft.com/pubs/68826/review_image_rendering.pdf).
- "Simple Hand Gesture Recognition," video clip, YouTube, posted Aug. 25, 2008 by pooh8210, 1 page; <http://www.youtube.com/watch?v=f8GvE0dYLM&feature=related>.
- Smarthome, "IR Extender Expands Your IR Capabilities," [retrieved and printed on Apr. 22, 2009], <http://www.smarthome.com/8121.html>; 3 pages.
- Soliman, H., et al., "Flow Bindings in Mobile IPv6 and NEMO Basic Support," IETF MEXT Working Group, Nov. 9, 2009, 38 pages; <http://tools.ietf.org/html/draft-ietf-mext-flow-binding-04>.
- Sonoma Wireworks Forums, "Jammin on Rifflink," [retrieved and printed on May 27, 2010] <http://www.sonomawireworks.com/forums/viewtopic.php?id=2659>; 5 pages.
- Sonoma Wireworks Rifflink, [retrieved and printed on Jun. 2, 2010] <http://www.sonomawireworks.com/rifflink.php>; 3 pages.
- Soohuan, Kim, et al., "Block-based face detection scheme using face color and motion estimation," Real-Time Imaging VIII; Jan. 20-22, 2004, San Jose, CA; vol. 5297, No. 1; Proceedings of the SPIE—The International Society for Optical Engineering SPIE—Int. Soc. Opt. Eng USA ISSN: 0277-786X; XP007905596; pp. 78-88.
- Sudan, Ranjeet, "Signaling in MPLS Networks with RSVP-TE-Technology Information," Telecommunications, Nov. 2000, 3 pages; [http://findarticles.com/p/articles/mi\\_mOTLC/is\\_11\\_34/ai\\_67447072/](http://findarticles.com/p/articles/mi_mOTLC/is_11_34/ai_67447072/).
- Sullivan, Gary J., et al., "Video Compression—From Concepts to the H.264/AVC Standard," Proceedings IEEE, vol. 93, No. 1, Jan. 2005; [http://ip.hhi.de/imagecom\\_G1/assets/pdfs/pieee\\_sullivan\\_wiegand\\_2005.pdf](http://ip.hhi.de/imagecom_G1/assets/pdfs/pieee_sullivan_wiegand_2005.pdf); 14 pages.
- Sun, X. et al., "Region of Interest Extraction and Virtual Camera Control Based on Panoramic Video Capturing," IEEE Trans. Multimedia, Oct. 27, 2003; <http://vision.ece.ucsb.edu/publications/04mmXdsun.pdf>; 14 pages.
- Super Home Inspectors or Super Inspectors, [retrieved and printed on Mar. 18, 2010] <http://www.umrt.com/PageManager/Default.aspx/PageID=2120325>; 3 pages.
- Total immersion, Video Gallery, copyright 2008-2009 [retrieved and printed on Feb. 26, 2009], <http://www.t-immersion.com/en,video-gallery,36.html>, 1 page.
- Trucco, E., et al., "Real-Time Disparity Maps for Immersive 3-D Teleconferencing by Hybrid Recursive Matching and Census Transform," [retrieved and printed on May 4, 2010] <http://server.cs.ucf.edu/~vision/papers/VidReg-final.pdf>; 9 pages.
- Tsapatsoulis, N., et al., "Face Detection for Multimedia Applications," Proceedings of the ICIP Sep. 10-13, 2000, Vancouver, BC, Canada; vol. 2, pp. 247-250.
- Tsapatsoulis, N., et al., "Face Detection in Color Images and Video Sequences," 10th Mediterranean Electrotechnical Conference (MELECON), May 29-31, 2000; vol. 2; pp. 498-502.
- Wachs, J., et al., "A Real-time Hand Gesture System Based on Evolutionary Search," Vision, 3<sup>rd</sup> Quarter 2006, vol. 22, No. 3, 18 pages; <http://web.ics.purdue.edu/~jpwachs/papers/3q06v1.pdf>.
- Wang, Hualu, et al., "A Highly Efficient System for Automatic Face Region Detection in MPEG Video," IEEE Transactions on Circuits and Systems for Video Technology; vol. 7, Issue 4; 1977 pp. 615-628.
- Wang, Robert and Jovan Popovic, "Real-Time Hand-Tracking with a Color Glove, ACM Transaction on Graphics" (SIGGRAPH 2009), 28(3), Aug. 2009; 8 pages <http://people.csail.mit.edu/rywang/handracking/s09-hand-tracking.pdf>.
- Wang, Robert and Jovan Popovic, "Real-Time Hand-Tracking with a Color Glove, ACM Transaction on Graphics" 4 pages, [retrieved and printed on Dec. 1, 2010] <http://people.csail.mit.edu/rywang/hand>.
- Wang, Robert and Jovan Popovic, "Gestural user input," video clip, YouTube, posted by rkeltset on May 19, 2010, 1 page; <http://www.youtube.com/watch?v=3JWYtTbJdTE>.
- Wang, Robert and Jovan Popovic, "Tracking the 3D pose and configuration of the hand," video clip, YouTube, posted by rkeltset on Mar. 31, 2010, 1 page; <http://www.youtube.com/watch?v=JOXwjkWP6Sw>.
- Wang, Robert and Jovan Popovic, "Desktop virtual reality," video clip, YouTube, posted by rkeltset on Apr. 8, 2010, 1 page; <http://www.youtube.com/watch?v=9rBtm62Lkfk>.
- Wang, Robert and Jovan Popovic, "Bimanual rotation and scaling," video clip, YouTube, posted by rkeltset on Apr. 14, 2010, 1 page; <http://www.youtube.com/watch?v=7TPFSCX79U>.
- Wang, Robert and Jovan Popovic, "Manipulating a virtual yoke," video clip, YouTube, posted by rkeltset on Jun. 8, 2010, 1 page; <http://www.youtube.com/watch?v=UfgGOO2uM>.
- Westerink, P. H., et al., "Two-pass MPEG-2 variable-bitrate encoding," IBM Journal of Research and Development, Jul. 1991, vol. 43, No. 4; <http://citeseerx.ist.psu.edu/viewdoc/summary?doi=10.1.1.128.421>; 18 pages.
- Wiegand, T., et al., "Efficient mode selection for block-based motion compensated video coding," Proceedings, 2005 International Conference on Image Processing IIP 2005, pp. 2559-2562; [citeseer.ist.psu.edu/wiegand95efficient.html](http://citeseer.ist.psu.edu/wiegand95efficient.html).
- Wiegand, T., et al., "Rate-distortion optimized mode selection for very low bit rate video coding and the emerging H.263 standard," IEEE Trans. Circuits Syst. Video Technol., Apr. 1996, vol. 6, No. 2, pp. 182-190.
- Wi-Fi Protected Setup, from Wikipedia, Sep. 2, 2010, 3 pages [http://en.wikipedia.org/wiki/Wi-Fi\\_Protected\\_Setup](http://en.wikipedia.org/wiki/Wi-Fi_Protected_Setup).
- Wilson, Mark, "Dreamoc 3D Display Turns Any Phone into Hologram Machine," Oct. 30, 2008; <http://gizmodo.com/5070906/dreamoc-3d-display-turns-any-phone-into-hologram-machine>; 2 pages.
- WirelessDevNet, Melody Launches Bluetooth Over IP, [retrieved and printed on Jun. 5, 2010] <http://www.wirelessdevnet.com/news/2001/155/news5.html>; 2 pages.
- Xia, F., et al., "Home Agent Initiated Flow Binding for Mobile IPv6," Network Working Group, Oct. 19, 2009, 15 pages; <http://tools.ietf.org/html/draft-xia-mext-ha-init-flow-binding-01.txt>.
- Xin, Jun, et al., "Efficient macroblock coding-mode decision for H.264/AVC video coding," Technical Report MERL 2004-079, Mitsubishi Electric Research Laboratories, Jan. 2004; [www.merl.com/publications/TR2004-079/](http://www.merl.com/publications/TR2004-079/), 12 pages.
- Yang, Jie, et al., "A Real-Time Face Tracker," Proceedings 3rd IEEE Workshop on Applications of Computer Vision; 1996; Dec. 2-4, 1996; pp. 142-147; [http://www.ri.cmu.edu/pub\\_files/pub1/yang\\_jie\\_1996\\_1.pdf](http://www.ri.cmu.edu/pub_files/pub1/yang_jie_1996_1.pdf).
- Yang, Ming-Hsuan, et al., "Detecting Faces in Images: A Survey," vol. 24, No. 1; Jan. 2002; pp. 34-58; <http://vision.ai.uic.edu/mhyang/papers/pami02a.pdf>.
- Yang, Ruigang, et al., "Real-Time Consensus-Based Scene Reconstruction using Commodity Graphics Hardware," Department of Computer Science, University of North Carolina at Chapel Hill; 2002; [http://www.cs.unc.edu/Research/stc/publications/yang\\_pacigra2002.pdf](http://www.cs.unc.edu/Research/stc/publications/yang_pacigra2002.pdf); 10 pages.
- Yang, Xiaokang, et al., Rate Control for H.264 with Two-Step Quantization Parameter Determination but Single-Pass Encoding, EURASIP Journal on Applied Signal Processing, Jun. 2006; <http://downloads.hindawi.com/journals/asp/2006/063409.pdf>; 13 pages.
- Yegani, P. et al., "GRE Key Extension for Mobile IPv4," Network Working Group, Feb. 2006, 11 pages; <http://tools.ietf.org/pdf/draft-yegani-gre-key-extension-01.pdf>.
- Yoo, Syoung-hun, et al., "Imaged-Based Modeling of Urban Buildings Using Aerial Photographs and Digital Maps," Transactions in GIS, 2006, 10(3); p. 377-394.
- Zhong, Ren, et al., "Integration of Mobile IP and MPLS," Network Working Group, Jul. 2000, 15 pages; <http://tools.ietf.org/html/draft-zhong-mobile-ip-mpls-01>.
- "Oblong Industries is the developer of the g-speak spatial operation environment," Oblong Industries Information Page, 2 pages, [Retrieved and printed on Dec. 1, 2010] <http://oblong.com>.



- Underkoffler, John, "G-Speak Overview 1828121108," video clip, Vimeo.com, 1 page, [Retrieved and printed on Dec. 1, 2010] <http://vimeo.com/2229299>.
- Kramer, Kwindla, "Mary Ann de Lares Norris at Thinking Digital," Oblong Industries, Inc. Web Log, Aug. 24, 2010; 1 page; <http://oblong.com/articles/OBS6hEeJmoHoCwgJ.html>.
- "Mary Ann de Lares Norris," video clip, Thinking Digital 2010 Day Two, Thinking Digital Videos, May 27, 2010, 3 pages; <http://videos.thinkingdigital.co.uk/2010/05/mary-ann-de-lares-norris-oblong/>.
- Kramer, Kwindla, "Oblong at TED," Oblong Industries, Inc. Web Log, Jun. 6, 2010, 1 page; <http://oblong.com/article/0B22LFIS1NVrOmR.html>.
- "John Underkoffler points to the future of UI," video clip and interactive transcript, Video on TED.com, Jun. 2010, 6 pages; [http://www.ted.com/talks/john\\_underkoffler\\_drive\\_3d\\_data\\_with\\_a\\_gesture.html](http://www.ted.com/talks/john_underkoffler_drive_3d_data_with_a_gesture.html).
- Kramer, Kwindla, "Oblong on Bloomberg TV," Oblong Industries, Inc. Web Log, Jan. 28, 2010, 1 page; [http://oblong.com/article/0AN\\_IKD9q990PENw.html](http://oblong.com/article/0AN_IKD9q990PENw.html).
- Kramer, Kwindla, "g-speak at RISD, Fall 2009," Oblong industries, Inc. Web Log, Oct. 29, 2009, 1 page, <http://oblong.com/article/09uW060q6xRIZYvm.html>.
- Kramer, Kwindla, "g-speak + TMG," Oblong industries, Inc. Web Log, Mar. 24, 2009, 1 page; <http://oblong.com/article/08mM77zpYMm7kFtv.html>.
- "G-stalt version 1," video clip, YouTube.com, posted by ziggles on Mar. 15, 2009, 1 page; <http://youtube.com/watch?v=k8ZAq4mdvk>.
- Underkoffler, John, "Carlton Sparrell speaks at MIT," Oblong Industries, Inc. Web Log, Oct. 30, 2009, 1 page; <http://oblong.com/article/09usAB41Ukb6CPw.html>.
- Underkoffler, John, "Carlton Sparrell at MIT Media Lab," video clip, Vimeo.com, 1 page, [Retrieved and printed Dec. 1, 2010] <http://vimeo.com/7355992>.
- Underkoffler, John, "Oblong at Altitude: Sundance 2009," Oblong Industries, Inc. Web Log, Jan. 20, 2009, 1 page; [http://oblong.com/article/08Sr62ron\\_2akg0D.html](http://oblong.com/article/08Sr62ron_2akg0D.html).
- Underkoffler, John, "Oblong's tamper system 1801011309," video clip, Vimeo.com, 1 page, [Retrieved and printed Dec. 1, 2010] <http://vimeo.com/2821182>.
- Feld, Brad, "Science Fact," Oblong Industries, Inc. Web Log, Nov. 13, 2008, 2 pages, <http://oblong.com/article/084H-PKI5Tb9I4Ti.html>.
- Kwindla Kramer, "g-speak in slices," Oblong Industries, Inc. Web Log, Nov. 13, 2008, 6 pages; <http://oblong.com/article/0866JqfNrFg1NeuK.html>.
- Underkoffler, John, "Origins: arriving here," Oblong Industries, Inc. Web Log, Nov. 13, 2008, 5 pages; <http://oblong.com/article/085zBpRSY9JeLvz.html>.
- Rishel, Christian, "Commercial overview: Platform and Products," Oblong Industries, Inc., Nov. 13, 2008, 3 pages; <http://oblong.com/article/086E19gPvDcktA9.html>.
- U.S. Appl. No. 13/036,925, filed Feb. 28, 2011, entitled "System and Method for Selection of Video Data in a Video Conference Environment," Inventor(s) Sylvia Olayinka Aya Manfa N'guessan.
- Gussenhoven, Carlos, "Chapter 5: Transcription of Dutch Intonation," 33 pages, Nov. 9, 2003; <http://www.ru.nl/publish/pages/516003/todisun-ah.pdf>.
- Hock, Hans Henrich, "Prosody vs. Syntax: Prosodic rebracketing of final vocatives in English," 4 pages; [retrieved and printed on Mar. 3, 2011] <http://speechprosody2010.illinois.edu/papers/100931.pdf>.
- "Vocative Case," from Wikipedia, [retrieved and printed on Mar. 3, 2011] 11 pages; [http://en.wikipedia.org/wiki/Vocative\\_case](http://en.wikipedia.org/wiki/Vocative_case).
- Andreopoulos, Yiannis, et al., "In-Band Motion Compensated Temporal Filtering," Signal Processing: Image Communication 19 (2004) 653-673, 21 pages <http://medianetlab.ee.ucla.edu/papers/011.pdf>.
- Arulampalam, M. Sanjeev, et al., "A Tutorial on Particle Filters for Online Nonlinear/Non-Gaussian Bayesian Tracking," IEEE Transactions on Signal Processing, vol. 50, No. 2, Feb. 2002, 15 pages <http://www.cs.ubc.ca/~murphyk/Software/Kalman/ParticleFilterTutorial.pdf>.
- Eisert, Peter, "Immersive 3-D Video Conferencing: Challenges, Concepts and Implementations," Proceedings of SPIE Visual Communications and Image Processing (VCIP), Lugano, Switzerland, Jul. 2003; 11 pages; <http://iphome.hhi.de/eisert/papers/vcip03.pdf>.
- Garg, Ashutosh, et al., "Audio-Visual ISpeaker Detection Using Dynamic Bayesian Networks," IEEE International Conference on Automatic Face and Gesture Recognition, 2000 Proceedings, 7 pages <http://www.ifp.illinois.edu/~ashutosh/papers/FG00.pdf>.
- Lambert, "Polycom Video Communications," © 2004 Polycom, Inc., Jun. 20, 2004 [http://www.polycom.com/global/documents/whitepapers/video\\_communications\\_h.239\\_people\\_content\\_polycom\\_patented\\_technology.pdf](http://www.polycom.com/global/documents/whitepapers/video_communications_h.239_people_content_polycom_patented_technology.pdf).
- Liu, Shan, et al., "Bit-Depth Scalable Coding for High Dynamic Range Video," SPIE Conference on Visual Communications and Image Processing, Jan. 2008; 12 pages <http://www.merl.com/papers/docs/TR2007-078.pdf>.
- Nakaya, Y., et al. "Motion Compensation Based on Spatial Transformations," IEEE Transactions on Circuits and Systems for Video Technology, Jun. 1994, Abstract Only <http://ieeexplore.ieee.org/Xplore/login.jsp?url=http%3A%2F%2Fieeexplore.ieee.org%2Fiel5%2F76%2F7495%2F00305878.pdf%3Farnumber%3D305878&authDecision=-203>.
- EPO Nov. 3, 2011 Communication from European Application EP10710949.8; 2 pages.
- EPO Mar. 12, 2012 Response to EP Communication dated Nov. 2, 2011 from European Application EP10710949.8; 15 pages.
- EPO Mar. 20, 2012 Communication from European Application 09725288.6; 6 pages.
- "Eye Tracking," from Wikipedia, (printed on Aug. 31, 2011) 12 pages; [http://en.wikipedia.org/wiki/Eye\\_tracker](http://en.wikipedia.org/wiki/Eye_tracker).
- "RoundTable, 360 Degrees Video Conferencing Camera unveiled by Microsoft," TechShout, Jun. 30, 2006, 1 page; <http://www.techshout.com/gadgets/2006/30/roundtable-360-degrees-video-conferencing-camera-unveiled-by-microsoft/#>.
- Dornaika F., et al., "Head and Facial Animation Tracking Using Appearance-Adaptive Models and Particle Filters," 20040627; 20040627-20040602, Jun. 27, 2004, 22 pages; Heudiasy Research Lab, [http://eprints.pascal-network.org/archive/00001231/01/rvhci\\_chapter8.pdf](http://eprints.pascal-network.org/archive/00001231/01/rvhci_chapter8.pdf).
- EPO Aug. 15, 2011 Response to EPO Communication mailed Feb. 25, 2011 from European Patent Application No. 09725288.6; 15 pages.
- Geys et al., "First Interpolated Cameras by Combining a GPU Based Plane Sweep With a Max-Flow Regularisation Algorithm," Sep. 9, 2004; 3D Data Processing, Visualization and Transmission 2004, pp. 534-541.
- Hammadi, Nait Charif et al., "Tracking the Activity of Participants in a Meeting," Machine Vision and Applications, Springer, Berlin, De LnkD—DOI:10.1007/S00138-006-0015-5, vol. 17, No. 2, May 1, 2006, pp. 83-93, XP019323925 <http://citeseerx.ist.psu.edu/viewdoc/summary?doi=10.1.1.106.9832>.
- Kwolek, B., "Model Based Facial Pose Tracking Using a Particle Filter," Geometric Modeling and Imaging—New Trends, 2006 London, England Jul. 5-6, 2005, Piscataway, NJ, USA, IEEE LNKD—DOI: 10.1109/GMAI.2006.34 Jul. 5, 2006, pp. 203-208; XP010927285 [Abstract Only].
- PCT Sep. 25, 2007 Notification of Transmittal of the International Search Report from PCT/US06/45895.
- PCT Sep. 2, 2008 International Preliminary Report on Patentability (1 page) and the Written Opinion of the ISA (4 pages) from PCT/US2006/045895.
- PCT Sep. 11, 2008 Notification of Transmittal of the International Search Report from PCT/US07/09469.
- PCT Nov. 4, 2008 International Preliminary Report on Patentability (1 page) and the Written Opinion of the ISA (8 pages) from PCT/US2007/009469.
- PCT May 11, 2010 International Search Report from PCT/US2010/024059; 4 pages.
- PCT Aug. 23, 2011 International Preliminary Report on Patentability and Written Opinion of the ISA from PCT/US2010/024059; 6 pages.
- PCT Jan. 23, 2012 International Search Report and Written Opinion of the ISA from International Application Serial No. PCT/US2011/060579; 10 pages.

PCT Jan. 23, 2012 International Search Report and Written Opinion of the ISA from International Application Serial No. PCT/US2011/060584; 11 pages.

PCT Feb. 20, 2012 International Search Report and Written Opinion of the ISA from International Application Serial No. PCT/US2011/061442; 12 pages.

U.S. Appl. No. 29/389,651, filed Apr. 14, 2011, entitled "Video Unit With Integrated Features," Inventor(s): Kyle A. Buzzard et al.

U.S. Appl. No. 29/389,654, filed Apr. 14, 2011, entitled "Video Unit With Integrated Features," Inventor(s): Kyle A. Buzzard et al.

Boros, S., "Policy-Based Network Management with SNMP," Proceedings of the EUNICE 2000 Summer School Sep. 13-15, 2000, p. 3.

\* cited by examiner

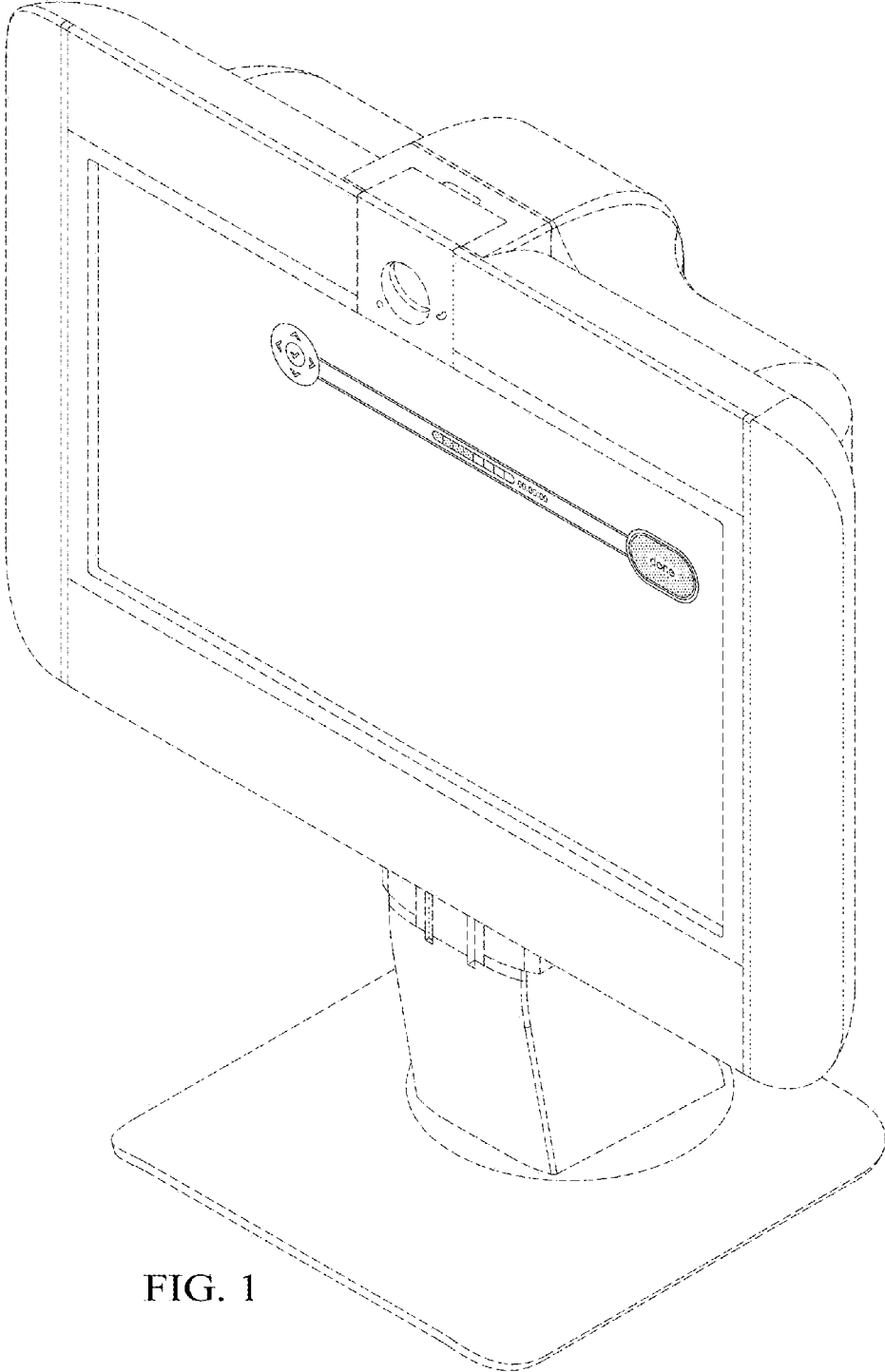


FIG. 1

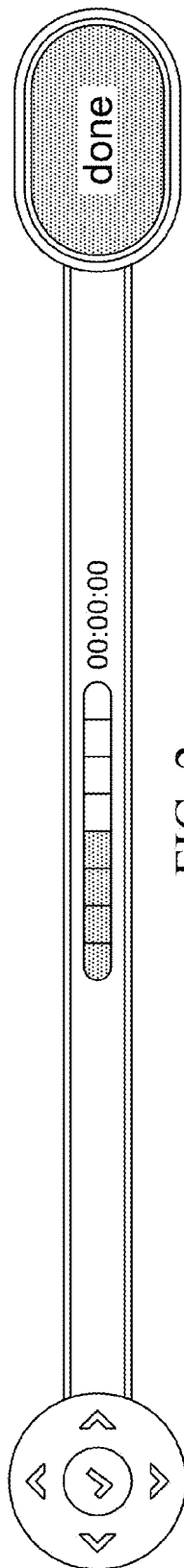


FIG. 2

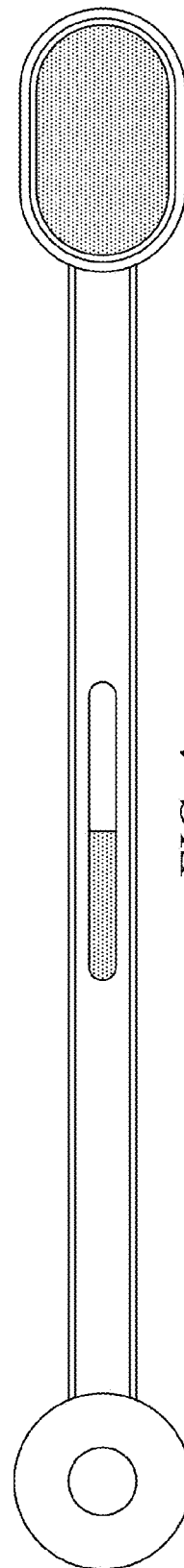


FIG. 4

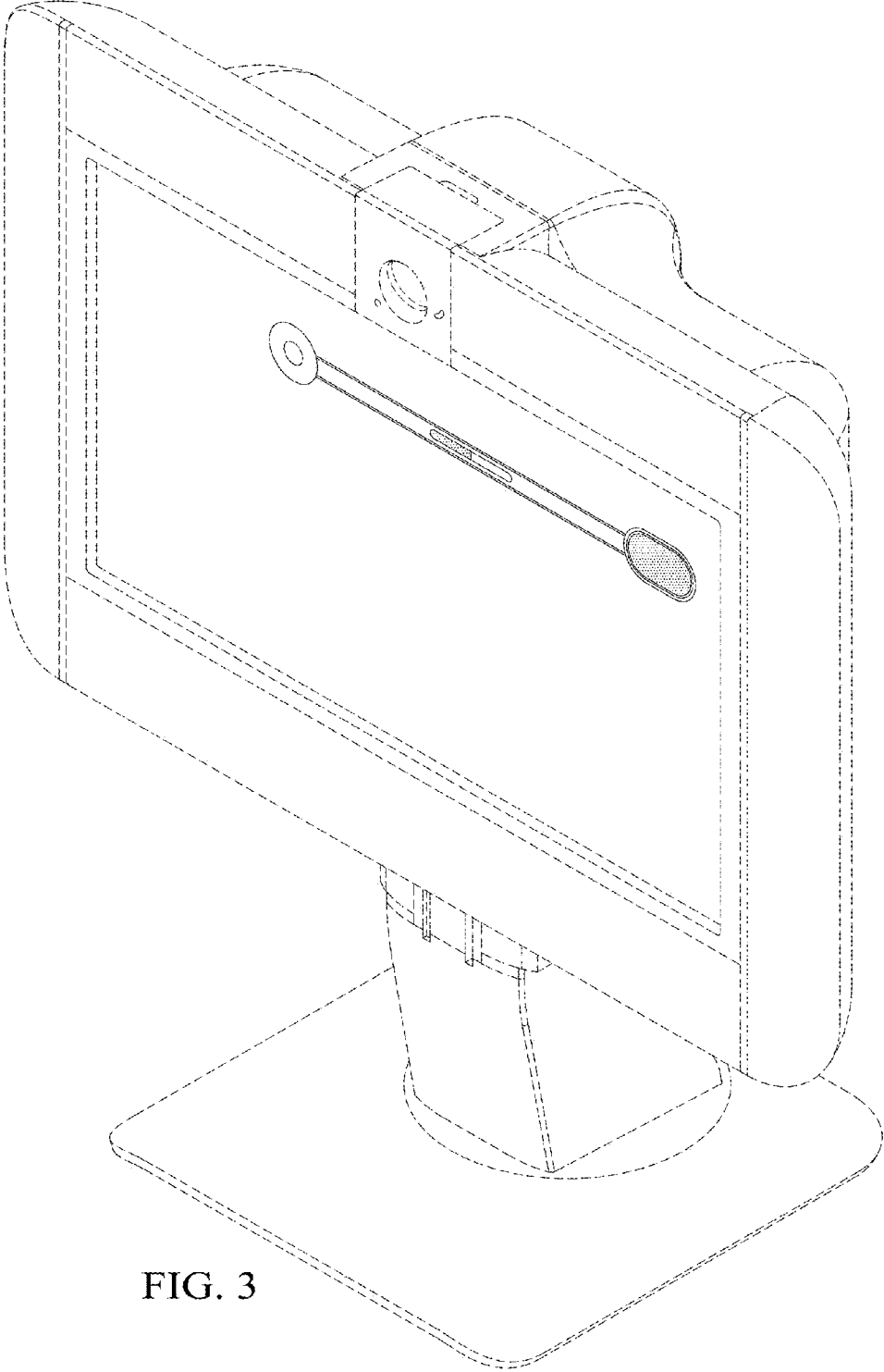


FIG. 3