



US00D988222S

(12) **United States Design Patent**  
**Bonham**

(10) **Patent No.:** **US D988,222 S**

(45) **Date of Patent:** **\*\* Jun. 6, 2023**

(54) **VEHICLE WHEEL**

(71) Applicant: **JAGUAR LAND ROVER LIMITED,**  
Coventry (GB)

(72) Inventor: **Ben Bonham,** Coventry (GB)

(73) Assignee: **Jaguar Land Rover Limited,** Coventry  
(GB)

(\*\*) Term: **15 Years**

(21) Appl. No.: **29/763,022**

(22) Filed: **Dec. 21, 2020**

(30) **Foreign Application Priority Data**

Jun. 29, 2020 (EM) ..... 008026330-0003

(51) **LOC (14) Cl.** ..... **12-16**

(52) **U.S. Cl.**

USPC ..... **D12/209; D12/211**

(58) **Field of Classification Search**

USPC ..... D12/204–213; D21/563

CPC .... B60B 7/00; B60B 7/02; B60B 7/04; B60B  
7/01; B60B 7/06; B60B 3/02; B60B 3/04;  
B60B 3/06; B60B 3/10; B60B 1/00;  
B60B 1/08; B60B 1/10; B60B 1/12

See application file for complete search history.

(56) **References Cited**

**U.S. PATENT DOCUMENTS**

D626,051 S \* 10/2010 Fisker ..... D12/209  
D644,589 S \* 9/2011 Fisker ..... D12/211

D669,834 S \* 10/2012 Juergens ..... D12/211  
D726,086 S \* 4/2015 Muntada Roura ..... D12/209  
D740,734 S \* 10/2015 Wheel ..... D12/209  
D840,313 S \* 2/2019 Ranum ..... D12/209  
D862,352 S \* 10/2019 Bjerke ..... D12/209  
D878,991 S \* 3/2020 Tomasson ..... D12/209  
D881,780 S \* 4/2020 Tomasson ..... D12/209  
D893,382 S \* 8/2020 Tanaka ..... D12/209  
D897,261 S \* 9/2020 Valencia Pollex ..... D12/209  
D899,992 S \* 10/2020 Melikian ..... D12/209  
D904,957 S \* 12/2020 Wheel ..... D12/209  
D911,244 S \* 2/2021 Piaskowski ..... D12/209  
D915,977 S \* 4/2021 Piaskowski ..... D12/209

\* cited by examiner

*Primary Examiner* — Calvin E Vansant

(74) *Attorney, Agent, or Firm* — Reising Ethington P.C.

(57) **CLAIM**

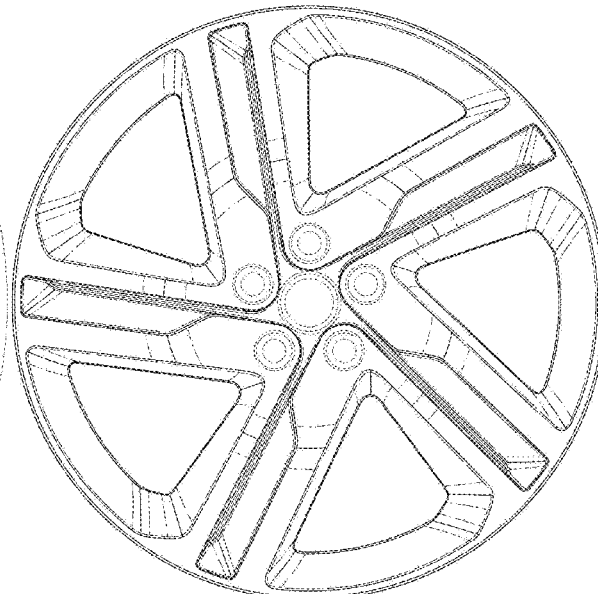
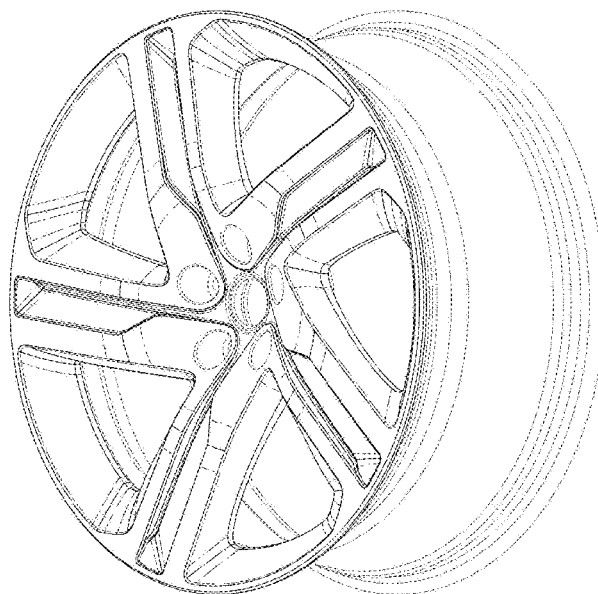
The ornamental design for a vehicle wheel, as shown and described.

**DESCRIPTION**

FIG. 1 is a frontside perspective view of the vehicle wheel;  
FIG. 2 is a rear side perspective view thereof;  
FIG. 3 is a front view thereof;  
FIG. 4 is a rear view thereof;  
FIG. 5 is a left side view thereof;  
FIG. 6 is a right side view thereof;  
FIG. 7 is a top view thereof, and,  
FIG. 8 is a bottom view thereof.

The broken lines shown in the drawings depict portions of the vehicle wheel that form no part of the claimed design.

**1 Claim, 8 Drawing Sheets**



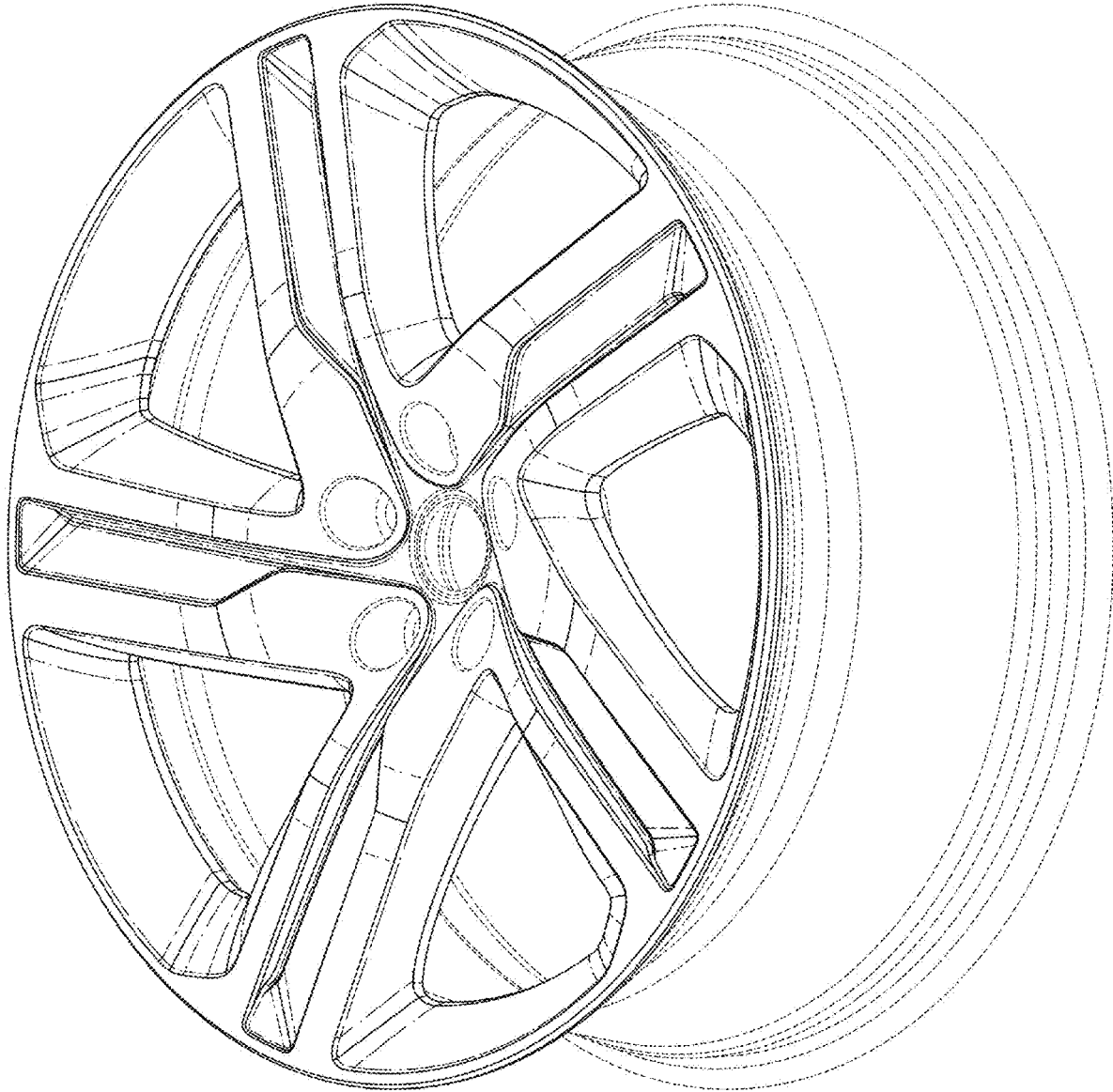


FIG. 1

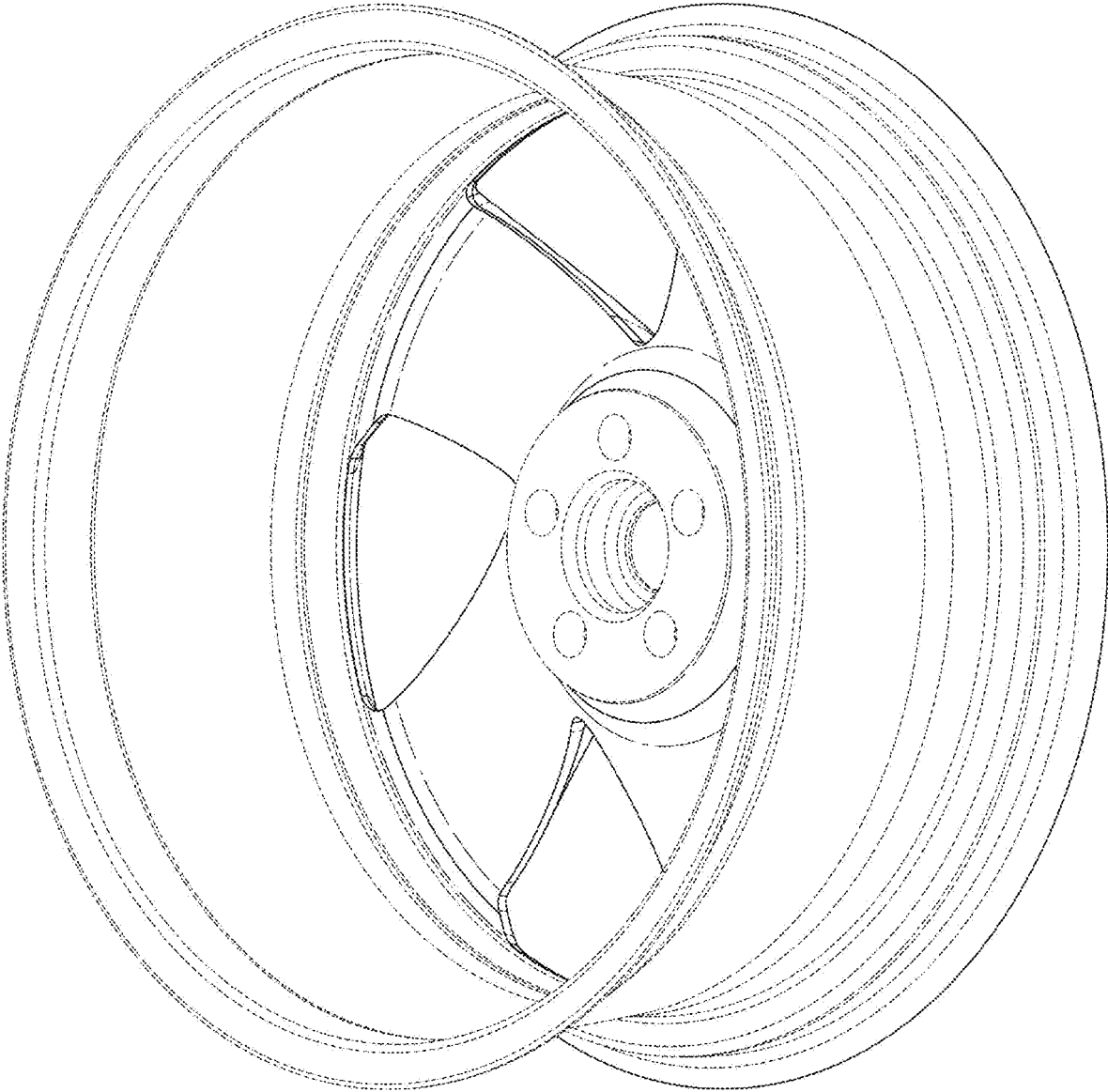


FIG. 2

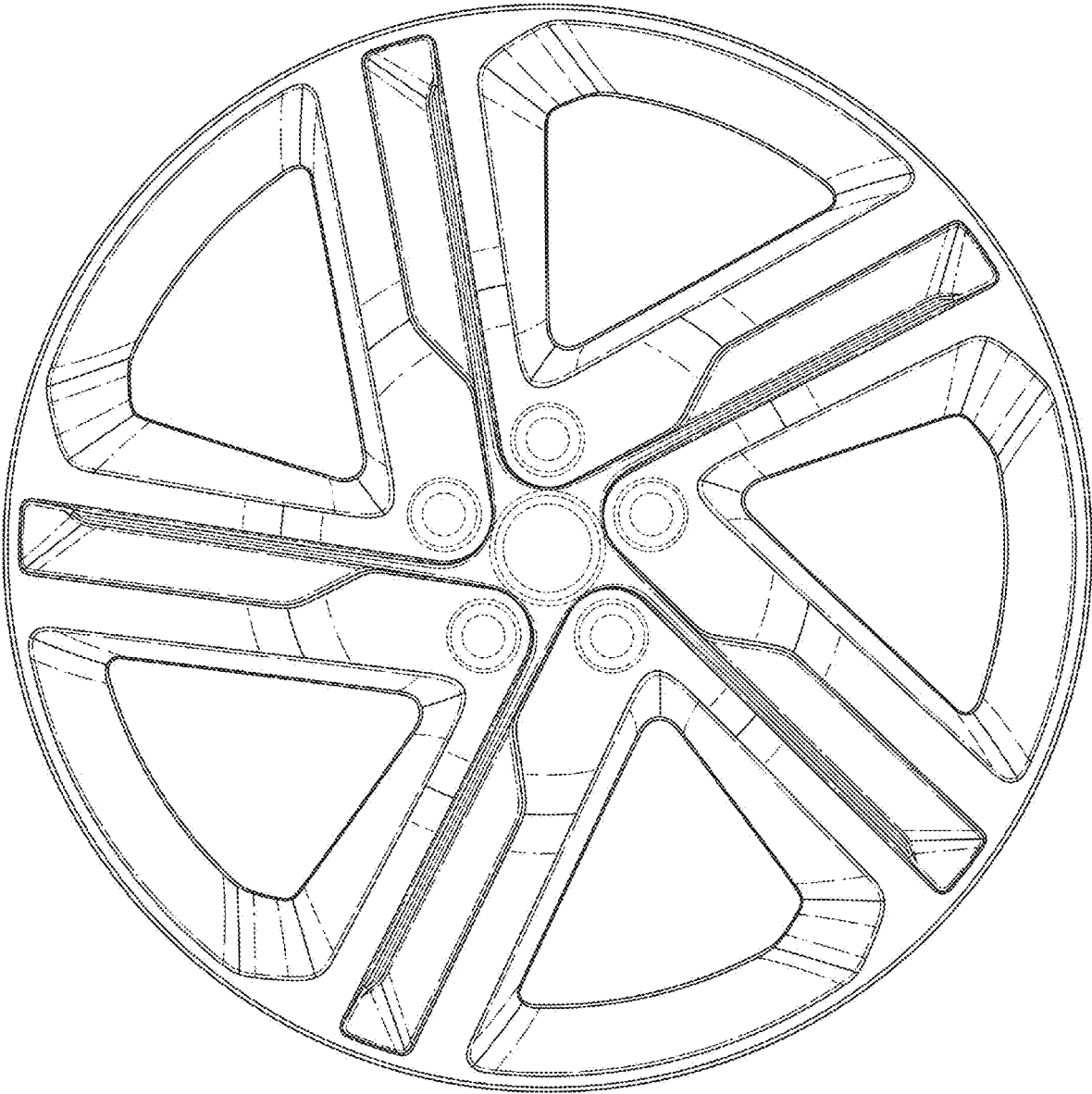


FIG. 3

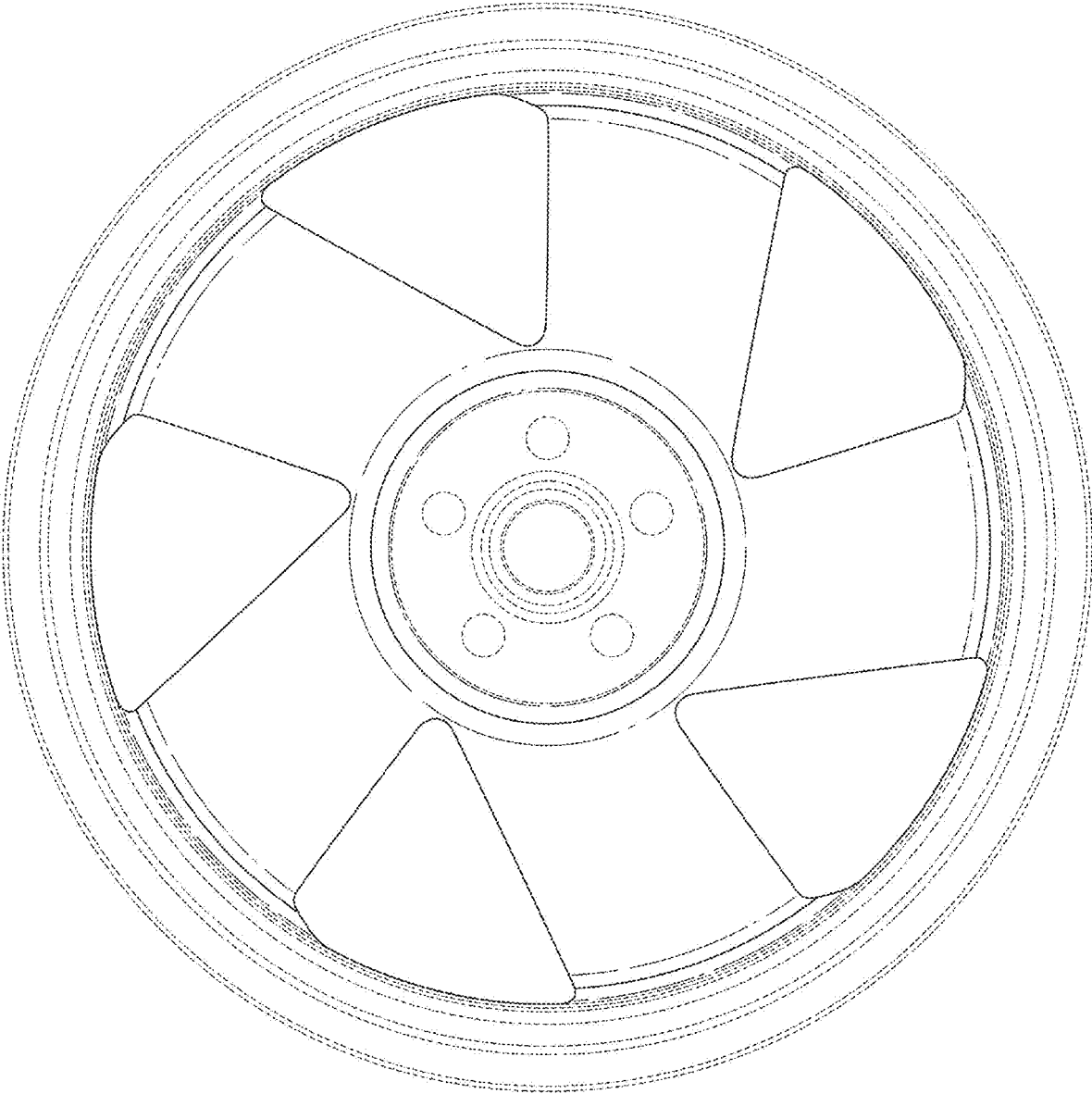


FIG. 4

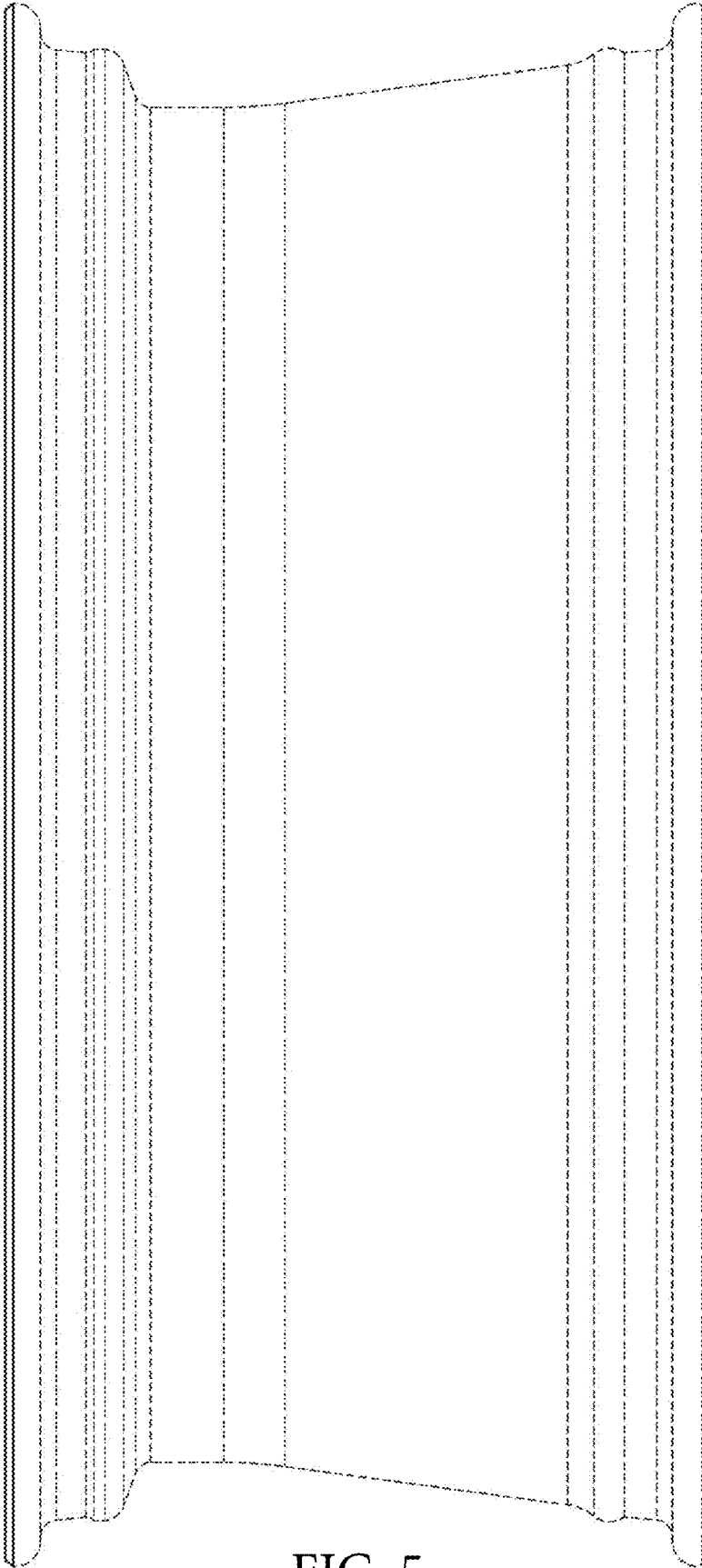


FIG. 5

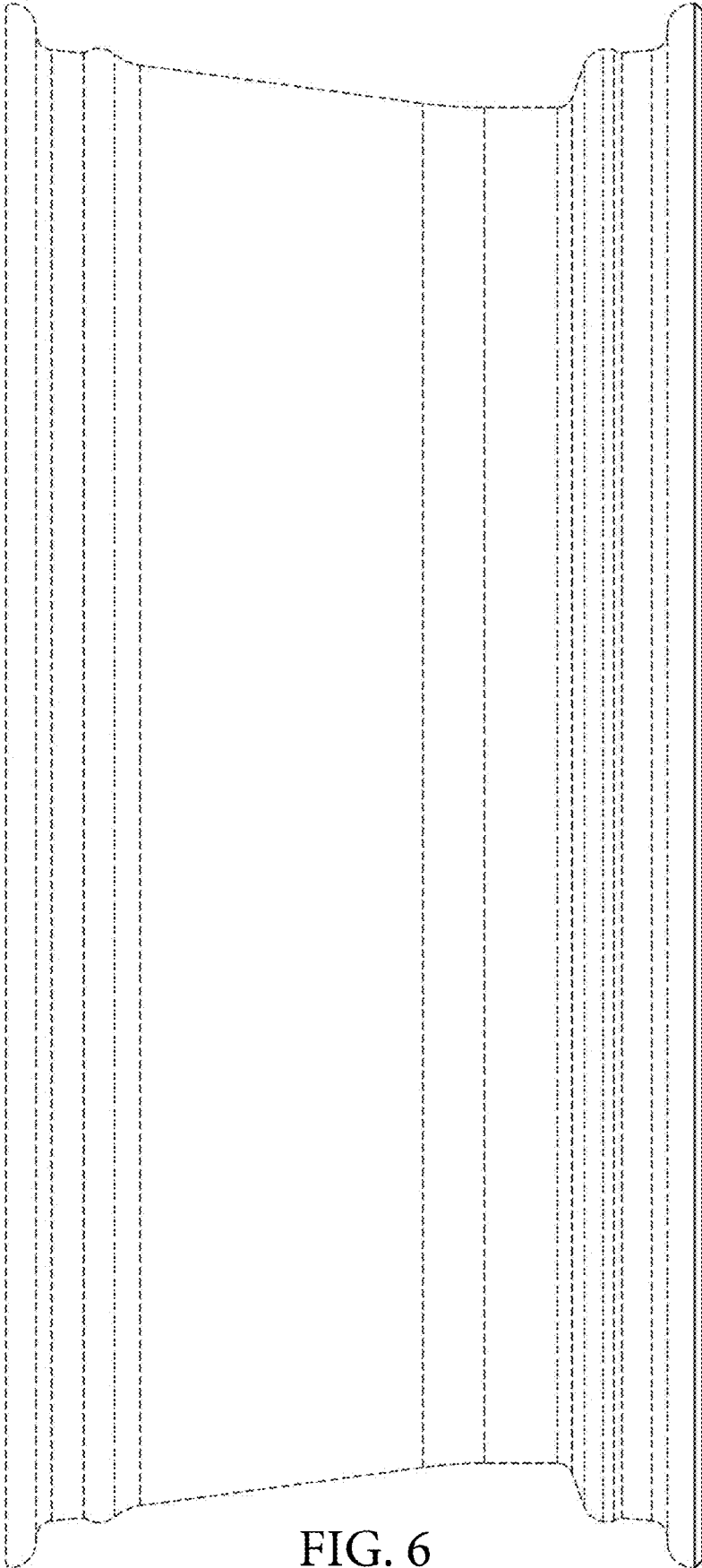


FIG. 6

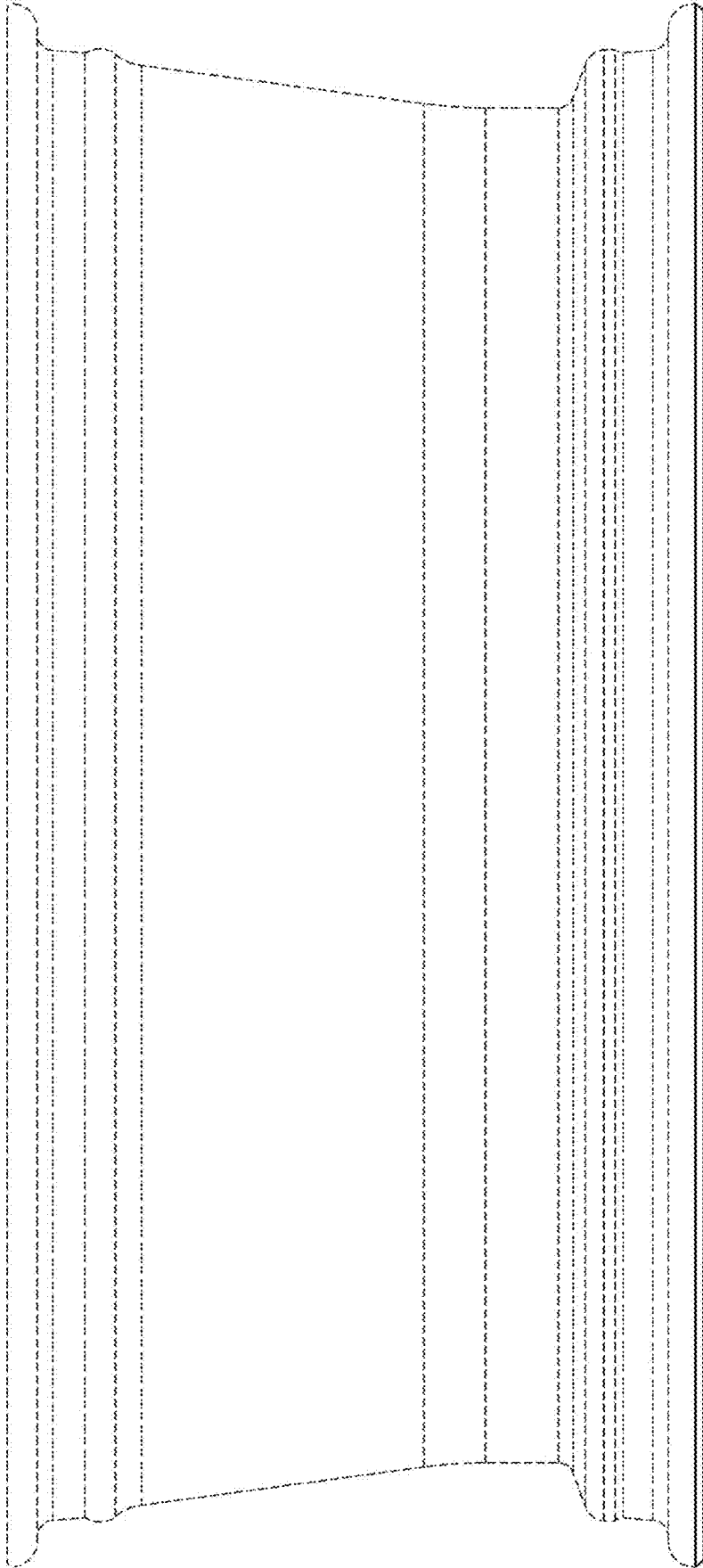


FIG. 7



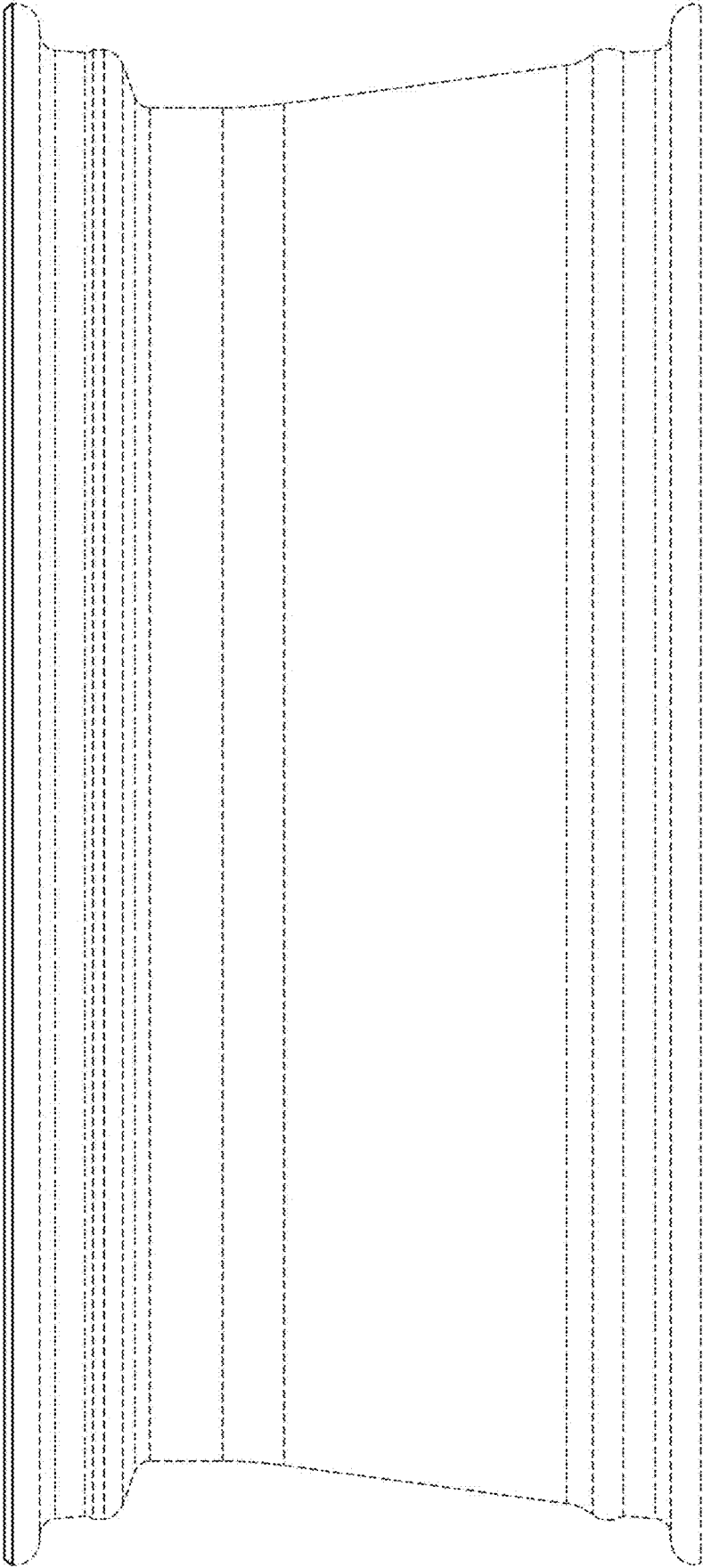


FIG. 8