

(19) World Intellectual Property Organization
International Bureau



(43) International Publication Date
18 July 2002 (18.07.2002)

PCT

(10) International Publication Number
WO 02/056646 A3

(51) International Patent Classification⁷: H05B 41/288, 41/38

(21) International Application Number: PCT/JP02/00095

(22) International Filing Date: 10 January 2002 (10.01.2002)

(25) Filing Language: English

(26) Publication Language: English

(30) Priority Data:
2001-5706 12 January 2001 (12.01.2001) JP
2001-215721 16 July 2001 (16.07.2001) JP

(71) Applicant (for all designated States except US): MATSUSHITA ELECTRIC WORKS, LTD. [JP/JP]; 1048, Oaza-Kadoma, Kadoma-shi, Osaka 571-8686 (JP).

(72) Inventors; and

(75) Inventors/Applicants (for US only): KAMBARA, Takashi [JP/JP]; c/o Matsushita Electric Works, Ltd.,

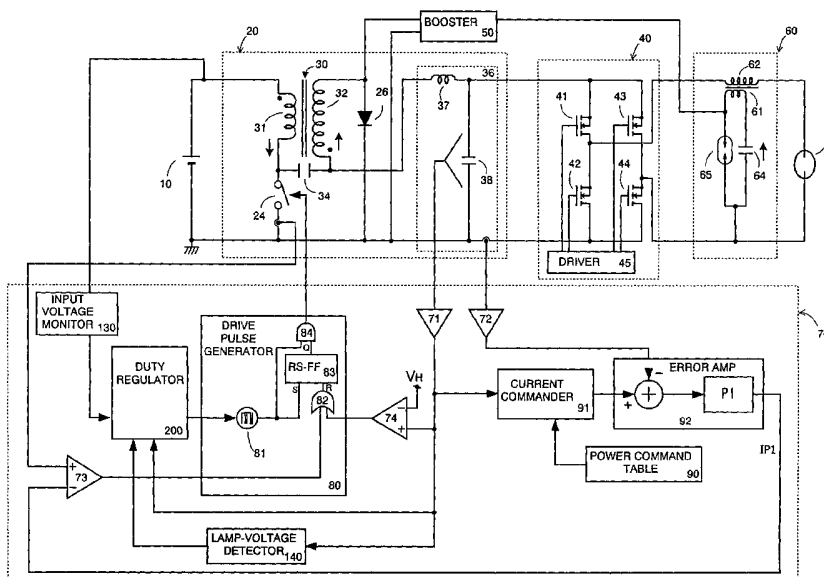
1048, Oaza-Kadoma, Kadoma-shi, Osaka 571-8686 (JP). NAKAMURA, Toshiaki [JP/JP]; c/o Matsushita Electric Works, Ltd., 1048, Oaza-Kadoma, Kadoma-shi, Osaka 571-8686 (JP). KOTANI, Miki [JP/JP]; c/o Matsushita Electric Works, Ltd., 1048, Oaza-Kadoma, Kadoma-shi, Osaka 571-8686 (JP). KONISHI, Hirofumi [JP/JP]; c/o Matsushita Electric Works, Ltd., 1048, Oaza-Kadoma, Kadoma-shi, Osaka 571-8686 (JP). TANAKA, Toshi-fumi [JP/JP]; c/o Matsushita Electric Works, Ltd., 1048, Oaza-Kadoma, Kadoma-shi, Osaka 571-8686 (JP).

(74) Agents: NISHIKAWA, Yoshikiyo et al.; Hokuto Patent Attorneys Office, Umeda-Daichiseimei Bldg. 5F, 12-17, Umeda 1-chome, Kita-ku, Osaka-shi, Osaka 530-0001 (JP).

(81) Designated States (national): AE, AG, AL, AM, AT, AU, AZ, BA, BB, BG, BR, BY, BZ, CA, CH, CN, CO, CR, CU, CZ, DE, DK, DM, DZ, EC, EE, ES, FI, GB, GD, GE, GH, GM, HR, HU, ID, IL, IN, IS, KE, KG, KP, KR, KZ, LC, LK, LR, LS, LT, LU, LV, MA, MD, MG, MK, MN, MW, MX, MZ, NO, NZ, OM, PH, PL, PT, RO, RU, SD, SE, SG, SI, SK, SL, TJ, TM, TN, TR, TT, TZ, UA, UG, US, UZ, VN, YU, ZA, ZM, ZW.

[Continued on next page]

(54) Title: BALLAST FOR A DISCHARGE LAMP



(57) Abstract: An improved ballast for a discharge lamp includes a DC-DC converter which receives an input DC voltage from a voltage source to provide a pre-starting voltage to make the lamp ready for being ignited or started. The DC-DC converter has a switching element which is driven to turn on and off for generating the pre-starting voltage. A start-accelerating means is included in the ballast in order to vary at least one of the switching frequency and the on-period of the switching element based upon the monitored input DC voltage in a direction of accelerating the increase of the output DC voltage to the pre-starting voltage until the output DC voltage reaches the pre-starting voltage.



WO 02/056646 A3



(84) Designated States (regional): ARIPO patent (GH, GM, KE, LS, MW, MZ, SD, SL, SZ, TZ, UG, ZM, ZW), Eurasian patent (AM, AZ, BY, KG, KZ, MD, RU, TJ, TM), European patent (AT, BE, CH, CY, DE, DK, ES, FI, FR, GB, GR, IE, IT, LU, MC, NL, PT, SE, TR), OAPI patent (BF, BJ, CF, CG, CI, CM, GA, GN, GQ, GW, ML, MR, NE, SN, TD, TG).

(88) Date of publication of the international search report:
31 October 2002

For two-letter codes and other abbreviations, refer to the "Guidance Notes on Codes and Abbreviations" appearing at the beginning of each regular issue of the PCT Gazette.

Published:

— *with international search report*

INTERNATIONAL SEARCH REPORT

International Application No
PCT/JP 02/00095A. CLASSIFICATION OF SUBJECT MATTER
IPC 7 H05B41/288 H05B41/38

According to International Patent Classification (IPC) or to both national classification and IPC

B. FIELDS SEARCHED

Minimum documentation searched (classification system followed by classification symbols)
IPC 7 H05B

Documentation searched other than minimum documentation to the extent that such documents are included in the fields searched

Electronic data base consulted during the international search (name of data base and, where practical, search terms used)

EPO-Internal, WPI Data

C. DOCUMENTS CONSIDERED TO BE RELEVANT

Category °	Citation of document, with indication, where appropriate, of the relevant passages	Relevant to claim No.
X	EP 1 021 072 A (HELLA KG HUECK & CO) 19 July 2000 (2000-07-19) column 1, line 23 -column 1, line 56 column 2, line 5 -column 2, line 38; figure 1	1-4, 11-17, 19-22
A	DE 198 43 643 A (KOITO MFG CO LTD) 6 May 1999 (1999-05-06) column 1, line 3 -column 1, line 25 column 6, line 29 -column 6, line 55; figures 1,9	1,5, 19-22

 Further documents are listed in the continuation of box C. Patent family members are listed in annex.

° Special categories of cited documents:

- *A* document defining the general state of the art which is not considered to be of particular relevance
- *E* earlier document but published on or after the international filing date
- *L* document which may throw doubts on priority claim(s) or which is cited to establish the publication date of another citation or other special reason (as specified)
- *O* document referring to an oral disclosure, use, exhibition or other means
- *P* document published prior to the international filing date but later than the priority date claimed

- *T* later document published after the international filing date or priority date and not in conflict with the application but cited to understand the principle or theory underlying the invention
- *X* document of particular relevance; the claimed invention cannot be considered novel or cannot be considered to involve an inventive step when the document is taken alone
- *Y* document of particular relevance; the claimed invention cannot be considered to involve an inventive step when the document is combined with one or more other such documents, such combination being obvious to a person skilled in the art.
- *&* document member of the same patent family

Date of the actual completion of the international search

30 July 2002

Date of mailing of the international search report

06/08/2002

Name and mailing address of the ISA

European Patent Office, P.B. 5818 Patentlaan 2
NL - 2280 HV Rijswijk
Tel. (+31-70) 340-2040, Tx. 31 651 epo nl,
Fax: (+31-70) 340-3016

Authorized officer

Speiser, P

INTERNATIONAL SEARCH REPORT

International Application No
PCT/JP 02/00095

Patent document cited in search report		Publication date		Patent family member(s)	Publication date
EP 1021072	A	19-07-2000	DE	19901585 A1	20-07-2000
			EP	1021072 A1	19-07-2000
			US	6300726 B1	09-10-2001

DE 19843643	A	06-05-1999	JP	11097195 A	09-04-1999
			DE	19843643 A1	06-05-1999
			US	6034487 A	07-03-2000
