

(19) World Intellectual Property Organization
International Bureau



(43) International Publication Date
11 May 2006 (11.05.2006)

PCT

(10) International Publication Number
WO 2006/050136 A3

(51) International Patent Classification:
H04B 15/00 (2006.01) H04B 7/00 (2006.01)

LY, MA, MD, MG, MK, MN, MW, MX, MZ, NA, NG, NI, NO, NZ, OM, PG, PH, PL, PT, RO, RU, SC, SD, SE, SG, SK, SL, SM, SY, TJ, TM, TN, TR, TT, TZ, UA, UG, US, UZ, VC, VN, YU, ZA, ZM, ZW.

(21) International Application Number:
PCT/US2005/039027

(22) International Filing Date: 28 October 2005 (28.10.2005)

(84) Designated States (unless otherwise indicated, for every kind of regional protection available): ARIPO (BW, GH, GM, KE, LS, MW, MZ, NA, SD, SL, SZ, TZ, UG, ZM, ZW), Eurasian (AM, AZ, BY, KG, KZ, MD, RU, TJ, TM), European (AT, BE, BG, CH, CY, CZ, DE, DK, EE, ES, FI, FR, GB, GR, HU, IE, IS, IT, LT, LU, LV, MC, NL, PL, PT, RO, SE, SI, SK, TR), OAPI (BF, BJ, CF, CG, CI, CM, GA, GN, GQ, GW, ML, MR, NE, SN, TD, TG).

(25) Filing Language: English

(26) Publication Language: English

(30) Priority Data:
60/623,745 29 October 2004 (29.10.2004) US
11/259,866 27 October 2005 (27.10.2005) US

Declarations under Rule 4.17:

- as to the identity of the inventor (Rule 4.17(i))
- as to applicant's entitlement to apply for and be granted a patent (Rule 4.17(ii))
- as to the applicant's entitlement to claim the priority of the earlier application (Rule 4.17(iii))

(71) Applicant (for all designated States except US): COL-UBRIS NETWORKS, INC. [US/US]; 200 West Street, Suite 300, Waltham, MA 02451 (US).

Published:

- with international search report
- before the expiration of the time limit for amending the claims and to be republished in the event of receipt of amendments

(72) Inventor: NGUYEN, Hien; 183 West Main Street, Northborough, MA 01532 (US).

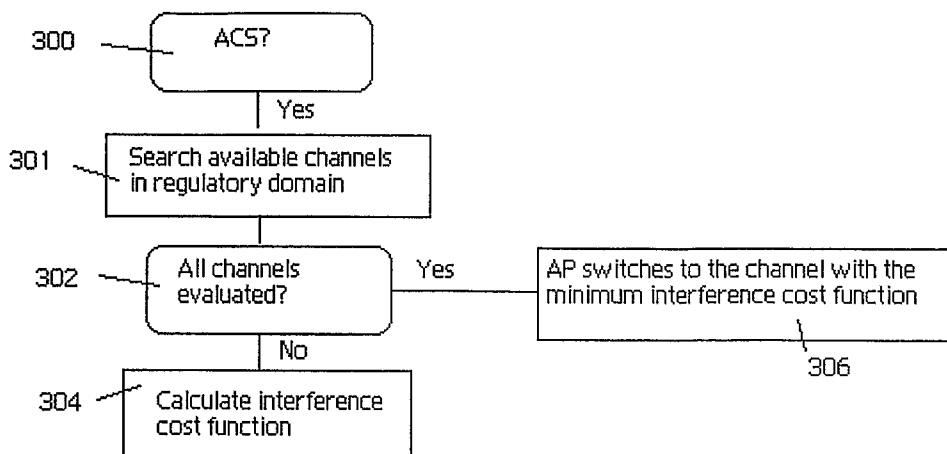
(74) Agent: JUDSON, David, H.; Law Office of David H. Judson, 15950 Dallas Parkway, Suite 225, Dallas, TX 75248 (US).

(81) Designated States (unless otherwise indicated, for every kind of national protection available): AE, AG, AL, AM, AT, AU, AZ, BA, BB, BG, BR, BW, BY, BZ, CA, CH, CN, CO, CR, CU, CZ, DE, DK, DM, DZ, EC, EE, EG, ES, FI, GB, GD, GE, GH, GM, HR, HU, ID, IL, IN, IS, JP, KE, KG, KM, KN, KP, KR, KZ, LC, LK, LR, LS, LT, LU, LV,

(88) Date of publication of the international search report:
11 October 2007

For two-letter codes and other abbreviations, refer to the "Guidance Notes on Codes and Abbreviations" appearing at the beginning of each regular issue of the PCT Gazette.

(54) Title: WIRELESS ACCESS POINT (AP) AUTOMATIC CHANNEL SELECTION



(57) Abstract: An automatic channel selection (ACS, 300) process enables an access point to determine a best channel available, i.e., the channel with a least amount of interference, for its operation. When ACS (300) is enable, the access point scans frequencies for all neighboring access points and their signal strengths (301). Based on this data, the access point then determines which frequency is less likely to be interfered with by these other access points (304). The access point switches itself to this frequency and begins operation (306).

WO 2006/050136 A3

INTERNATIONAL SEARCH REPORT

International application No.

PCT/US05/39027

A. CLASSIFICATION OF SUBJECT MATTER

IPC: H04B 15/00
H04B 7/00

USPC: 455/62,41.2;370/338

According to International Patent Classification (IPC) or to both national classification and IPC

B. FIELDS SEARCHED

Minimum documentation searched (classification system followed by classification symbols)
U.S. : 455/62, 41.2, 161.1, 434, 452.1; 370/338, 329

Documentation searched other than minimum documentation to the extent that such documents are included in the fields searched

Electronic data base consulted during the international search (name of data base and, where practicable, search terms used)
Please See Continuation Sheet

C. DOCUMENTS CONSIDERED TO BE RELEVANT

Category *	Citation of document, with indication, where appropriate, of the relevant passages	Relevant to claim No.
X --- Y	US 2002/0181417 A (MALHOTRA et al) 05 December 2002, see figures 1, 5, para [0060]-[0061].	1-2, 4, 6, 8-13 ----- 3, 5
Y	US 2004/0085896 A (BANERJEA et al) 06 May 2004, see fig. 3.	3
Y	US 2004/01411473 A (BUOT) 22 July 2004, see para [0074].	5

Further documents are listed in the continuation of Box C.

See patent family annex.

* Special categories of cited documents:

"A"	document defining the general state of the art which is not considered to be of particular relevance	"T"	later document published after the international filing date or priority date and not in conflict with the application but cited to understand the principle or theory underlying the invention
"E"	earlier application or patent published on or after the international filing date	"X"	document of particular relevance; the claimed invention cannot be considered novel or cannot be considered to involve an inventive step when the document is taken alone
"L"	document which may throw doubts on priority claim(s) or which is cited to establish the publication date of another citation or other special reason (as specified)	"Y"	document of particular relevance; the claimed invention cannot be considered to involve an inventive step when the document is combined with one or more other such documents, such combination being obvious to a person skilled in the art
"O"	document referring to an oral disclosure, use, exhibition or other means	"&"	document member of the same patent family
"P"	document published prior to the international filing date but later than the priority date claimed		

Date of the actual completion of the international search

19 July 2007 (19.07.2007)

Date of mailing of the international search report

22 AUG 2007

Name and mailing address of the ISA/US

Mail Stop PCT, Attn: ISA/US
Commissioner for Patents
P.O. Box 1450
Alexandria, Virginia 22313-1450

Facsimile No. (571) 273-3201

Authorized officer

LEE NGUYEN

Telephone No. 571-272-7854

INTERNATIONAL SEARCH REPORT

International application No.
PCT/US05/39027

Continuation of B. FIELDS SEARCHED Item 3:
EAST
search term: access point, optimal, channel, selection