



(12) **United States Design Patent**  
**Rouillac et al.**

(10) **Patent No.:** **US D800,109 S**  
(45) **Date of Patent:** **\*\* Oct. 17, 2017**

(54) **WEARABLE DEVICE**  
(71) Applicant: **HTC Corporation**, Taoyuan (TW)  
(72) Inventors: **Nichole Suzanne Rouillac**, San Francisco, CA (US); **Luane Rowe**, San Francisco, CA (US); **Maxime David Eric Dubreucq**, San Francisco, CA (US); **Lawrence Herman Fong**, San Francisco, CA (US); **Chi Jen Lu**, San Francisco, CA (US); **Christina L. Ng**, San Francisco, CA (US); **Jenny Yoon Joo Lee**, San Francisco, CA (US)

D513,390 S \* 1/2006 Gueit ..... D10/39  
D580,277 S \* 11/2008 Brady ..... D10/32  
D589,375 S \* 3/2009 Tang ..... D10/32  
D598,432 S \* 8/2009 Yeon ..... D14/226  
D630,121 S \* 1/2011 Roysky ..... D11/3  
D688,585 S \* 8/2013 Ohnemus ..... D11/3

(Continued)

**OTHER PUBLICATIONS**

HTC and Under Armour shelved the Grip and made this wristband instead, posted Jan. 5, 2016, [retrieved Feb. 27, 2017]. Retrieved from Internet, <URL: <http://www.theverge.com/2016/1/5/10710046/htc-under-armour-ua-band-activity-tracker-ces-2016> >.\*

(Continued)

*Primary Examiner* — Barbara Fox  
*Assistant Examiner* — Kristin E Reed  
(74) *Attorney, Agent, or Firm* — Jianq Chyun IP Office

(73) Assignee: **HTC Corporation**, Taoyuan (TW)  
(\*\*) Term: **15 Years**

(21) Appl. No.: **29/541,193**

(22) Filed: **Oct. 1, 2015**

(51) **LOC (10) Cl.** ..... **14-02**

(52) **U.S. Cl.** ..... **D14/344**  
USPC .....

(58) **Field of Classification Search**  
USPC ..... D14/344, 138 R, 144, 358; D2/623, 626, D2/639, 878; D8/88, 356; D10/30-39, D10/70, 98; D11/3, 87, 93-94, 200, 201, D11/210, 216, 218, 221, 230-231; D24/167, 169, 186-187  
CPC ..... G06F 1/163; G06F 1/1628; G06F 1/1626; G06F 1/1635; G06F 1/08; G06F 1/10; G06F 1/04; G06F 1/14; G06F 1/3203; A41D 1/002; H04M 1/02; H04M 1/03; H04M 1/04; H04M 1/05; H04M 1/667; H04M 1/6058; Y02B 60/1217; H04B 1/385; H04B 1/3888; H04B 1/3833; A44C 5/00

See application file for complete search history.

(56) **References Cited**

**U.S. PATENT DOCUMENTS**

D141,753 S \* 7/1945 Du Bois ..... D11/3  
D460,003 S \* 7/2002 Jamin ..... D10/32

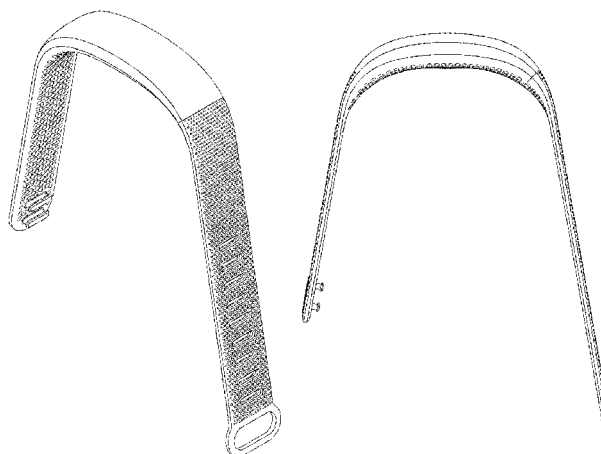
(57) **CLAIM**

The ornamental design for a wearable device, as shown and described.

**DESCRIPTION**

FIG. 1 is a perspective view of a wearable device showing our new design;  
FIG. 2 is another perspective view thereof;  
FIG. 3 is a front view thereof;  
FIG. 4 is a rear view thereof;  
FIG. 5 is a left view thereof;  
FIG. 6 is a right view thereof;  
FIG. 7 is a top view thereof;  
FIG. 8 is a bottom view thereof; and,  
FIG. 9 is a perspective view of a wearable device in a fastened position.  
The broken line portions of the wearable device form no part of the claimed design.

**1 Claim, 7 Drawing Sheets**



(56)

References Cited

U.S. PATENT DOCUMENTS

D705,111 S \* 5/2014 Namazy ..... D11/27  
 D715,668 S \* 10/2014 Roush ..... D10/70  
 D717,956 S \* 11/2014 Alexander ..... D24/167  
 D718,171 S \* 11/2014 Fakesch ..... D11/3  
 D718,647 S \* 12/2014 Roush ..... D10/70  
 D720,249 S \* 12/2014 Park ..... D11/3  
 D720,635 S \* 1/2015 Park ..... D10/70  
 D724,453 S \* 3/2015 Ogihara ..... D10/70  
 D726,056 S \* 4/2015 Riddiford ..... D11/3  
 D727,183 S \* 4/2015 Park ..... D10/70  
 D727,759 S \* 4/2015 Martinez ..... D10/70  
 D729,657 S \* 5/2015 Behar ..... D10/70  
 D729,658 S \* 5/2015 Behar ..... D10/70  
 D730,211 S \* 5/2015 Behar ..... D10/70  
 D735,068 S \* 7/2015 Garcia Pla ..... D11/3  
 D736,652 S \* 8/2015 Isaacs ..... D10/32  
 D738,236 S \* 9/2015 Song ..... D10/30  
 D738,759 S \* 9/2015 Behar ..... D10/39  
 D740,702 S \* 10/2015 Behar ..... D10/39  
 D740,703 S \* 10/2015 Behar ..... D10/39  
 D746,477 S \* 12/2015 Cha ..... D24/186  
 D747,660 S \* 1/2016 Coin ..... D11/3  
 D747,714 S \* 1/2016 Erbeus ..... D10/32  
 D748,624 S \* 2/2016 Magi ..... D14/344  
 D749,002 S \* 2/2016 Park ..... D10/70  
 D750,622 S \* 3/2016 Chen ..... D10/38  
 D751,452 S \* 3/2016 Henning ..... D11/87  
 D756,832 S \* 5/2016 Riddiford ..... D11/3  
 D757,583 S \* 5/2016 Roush ..... D10/70  
 D758,900 S \* 6/2016 Garner ..... D10/70

D759,516 S \* 6/2016 Ling ..... D10/30  
 D759,826 S \* 6/2016 Martinez ..... D24/187  
 D762,210 S \* 7/2016 Lee ..... D14/344  
 2005/0237704 A1\* 10/2005 Ceresoli ..... G06F 1/163  
 361/679.03  
 2015/0146355 A1\* 5/2015 Goyal ..... G06F 1/163  
 361/679.03  
 2015/0362977 A1\* 12/2015 Doniwa ..... G06F 1/3231  
 713/324  
 2016/0026212 A1\* 1/2016 Lee ..... G06F 1/163  
 361/679.03  
 2016/0062410 A1\* 3/2016 Ko ..... G06F 1/163  
 361/679.03  
 2016/0202866 A1\* 7/2016 Zambetti ..... G06F 3/0485  
 715/835

OTHER PUBLICATIONS

Sony SmartBand SWR10 launched in India for Rs. 5990, posted May 8, 2014, [retrieved Feb. 27, 2017]. Retrieved from Internet, <URL: <https://www.mobigyaaan.com/sony-smartband-swr10-launched-india-rs-5990> >.\*  
 Xiaomi Mi Band Review: Cheap and Effective, posted May 7, 2015, [retrieved Feb. 27, 2017]. Retrieved from Internet, <URL: <https://www.technoven.com/xiaomi-mi-band-review/> >.\*  
 Mio shows off new Mio Velo and Mio Fuse optical heart rate units, posted Aug. 8, 2014, [retrieved Feb. 27, 2017]. Retrieved from Internet, <URL: <https://www.dcrainmaker.com/2014/08/optical-heart-units.html> >.\*

\* cited by examiner

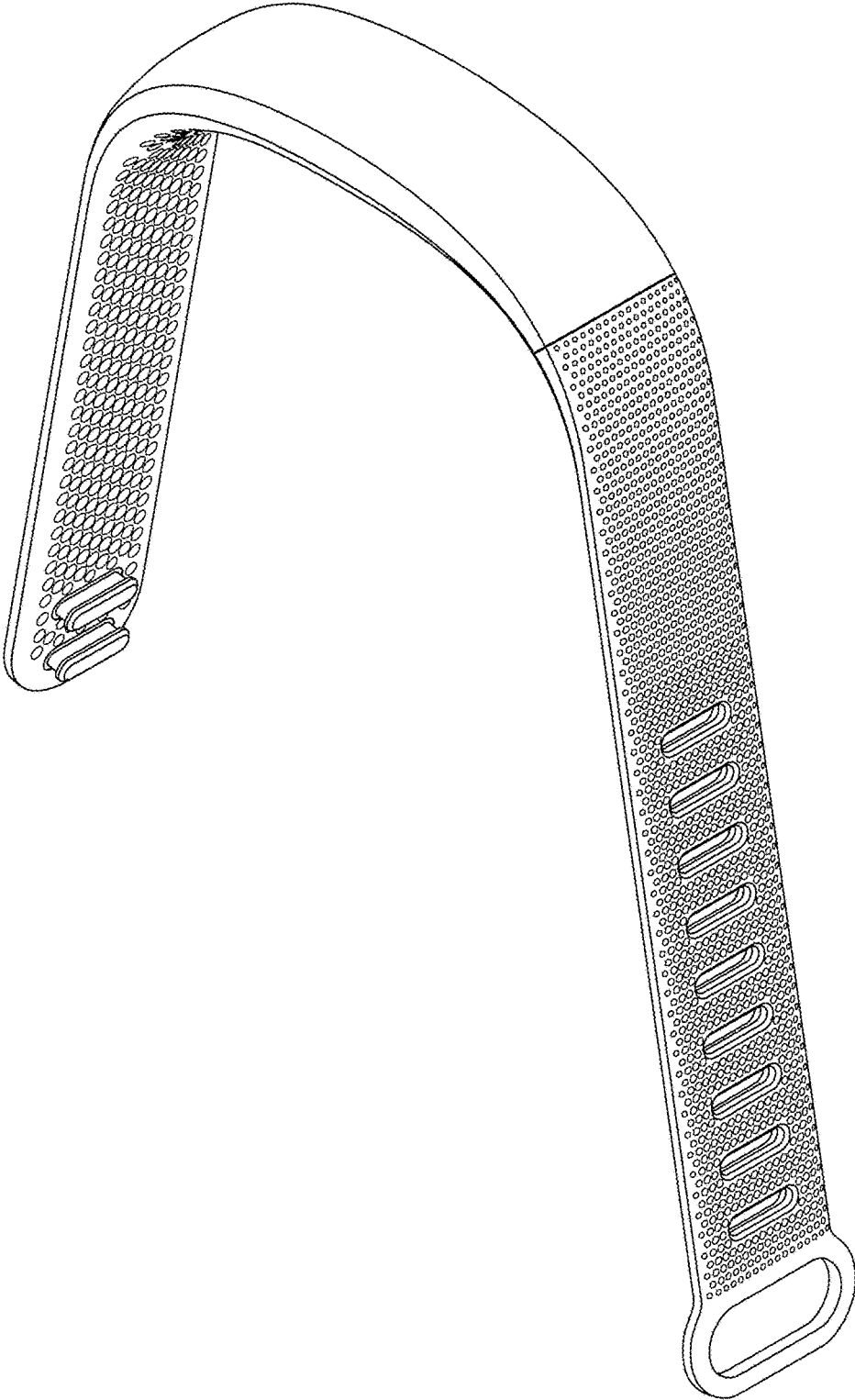


FIG. 1

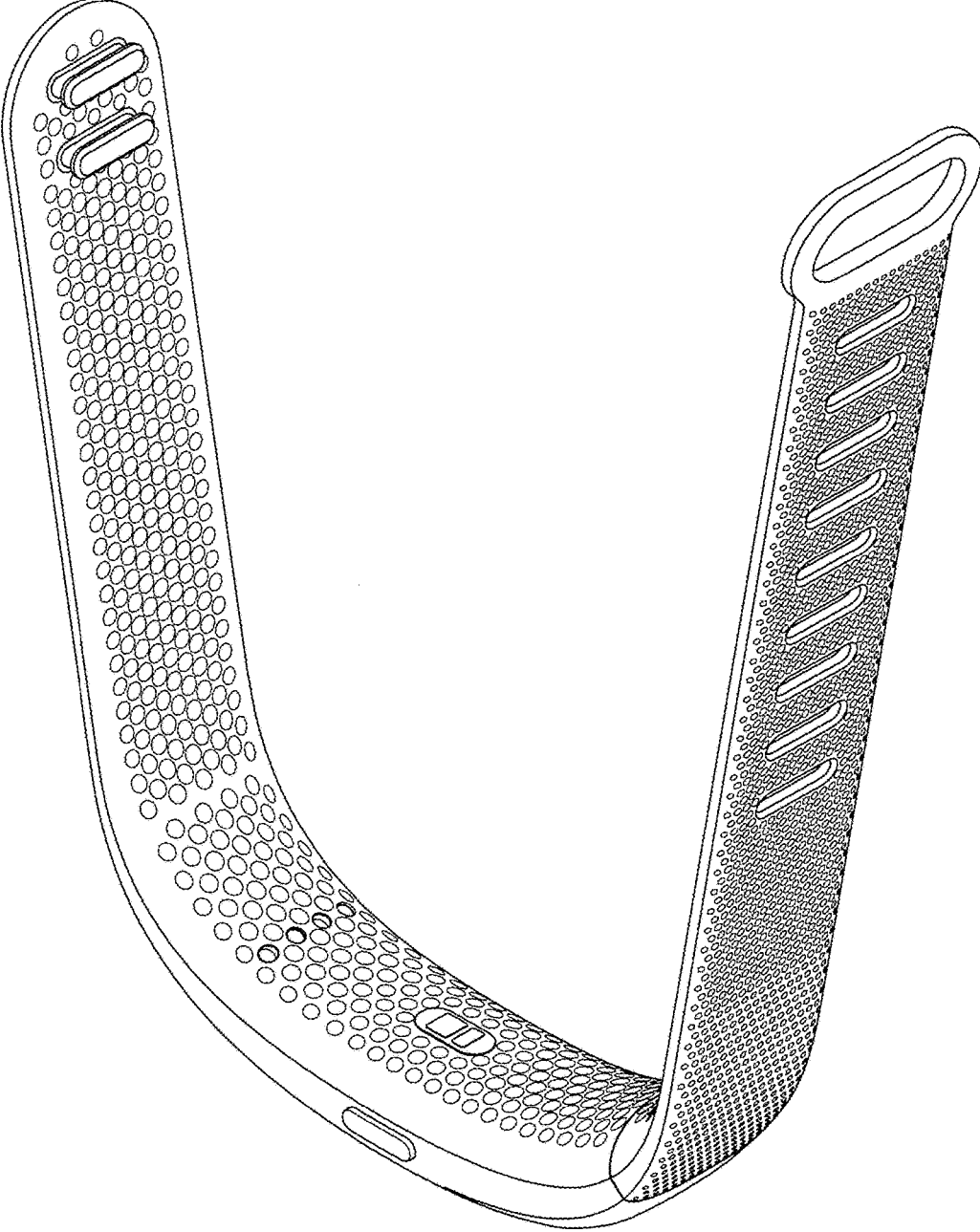


FIG. 2

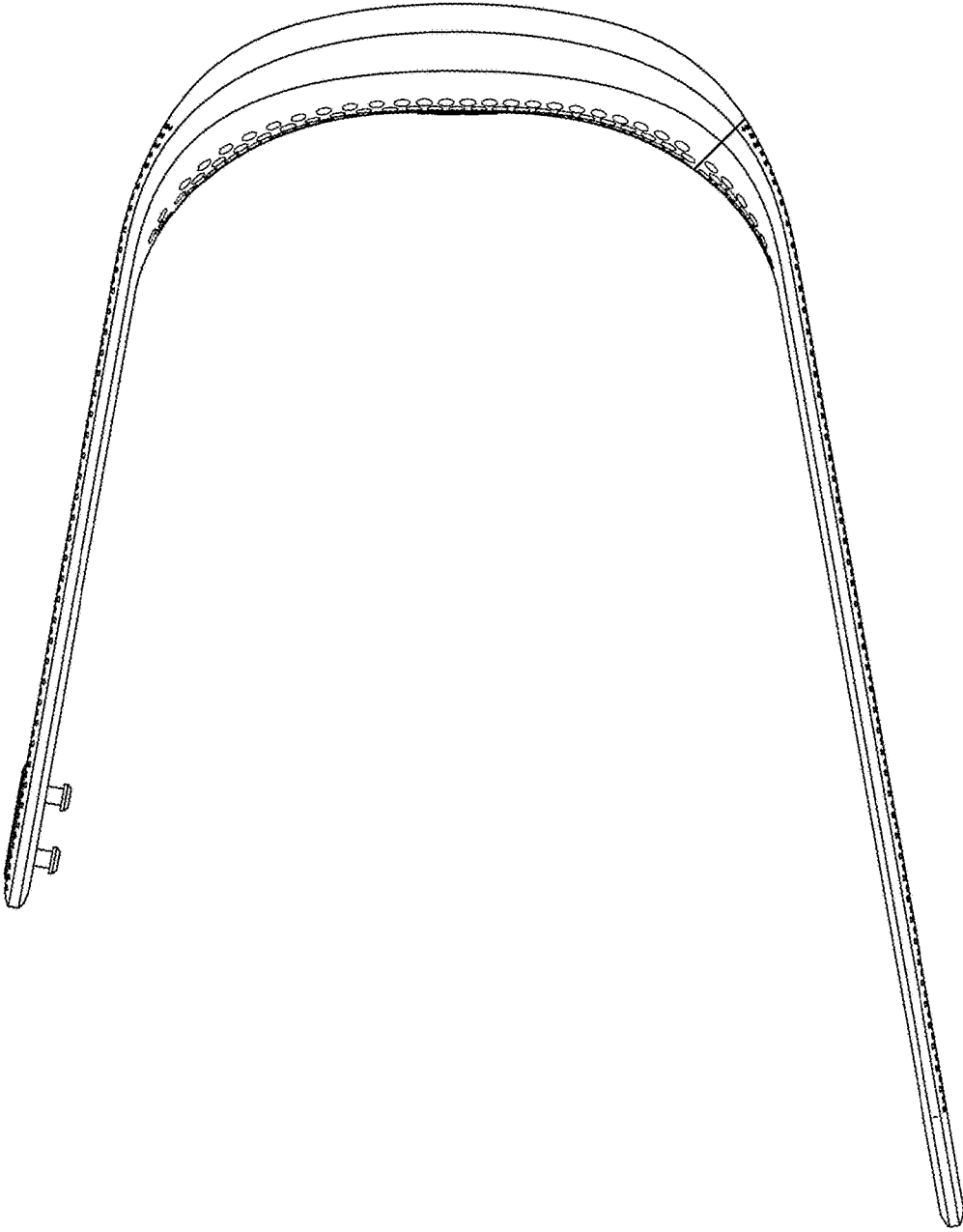


FIG. 3

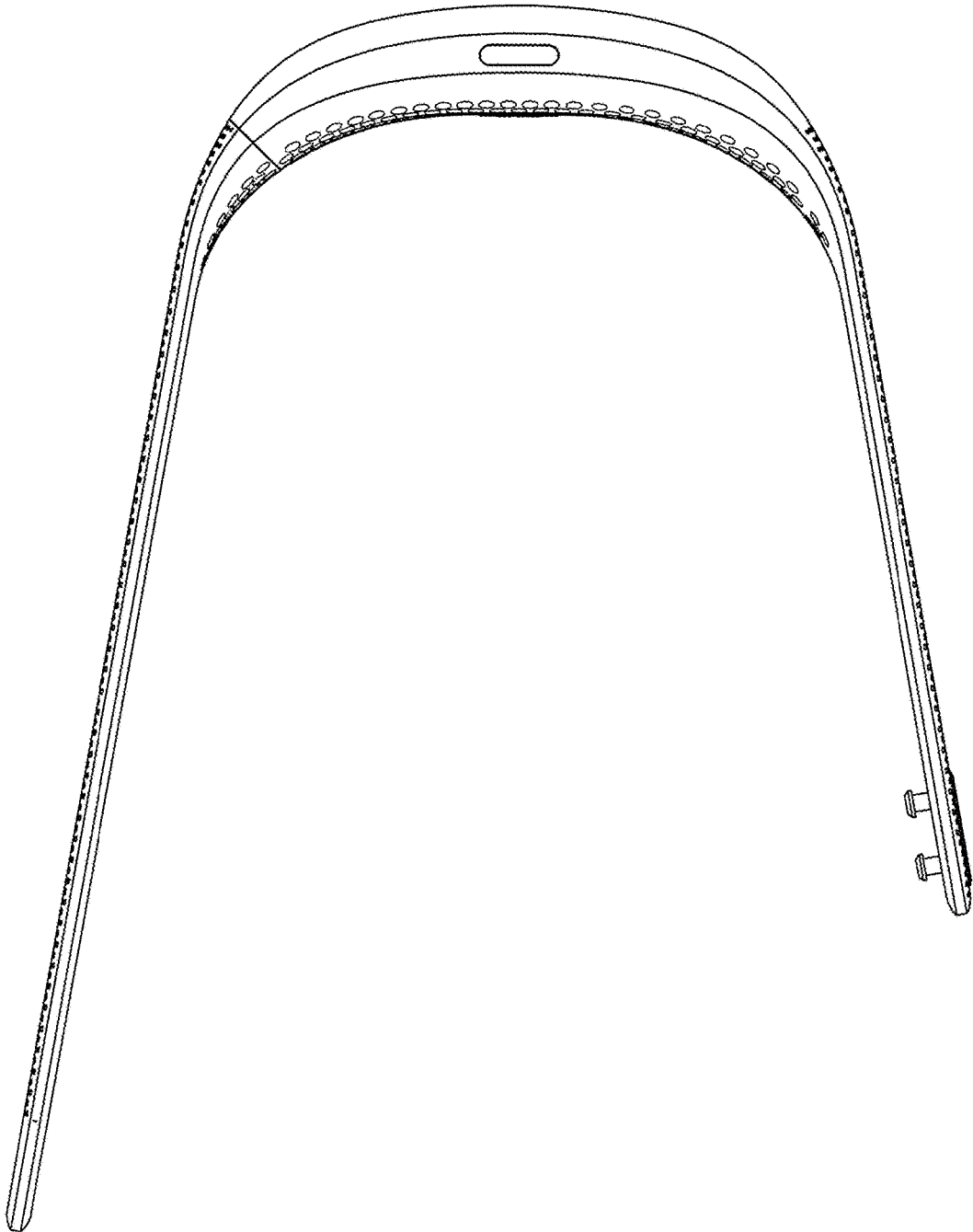


FIG. 4

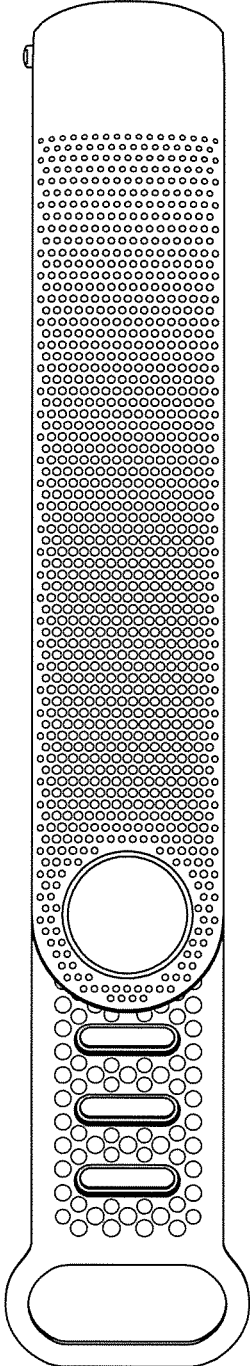


FIG. 5

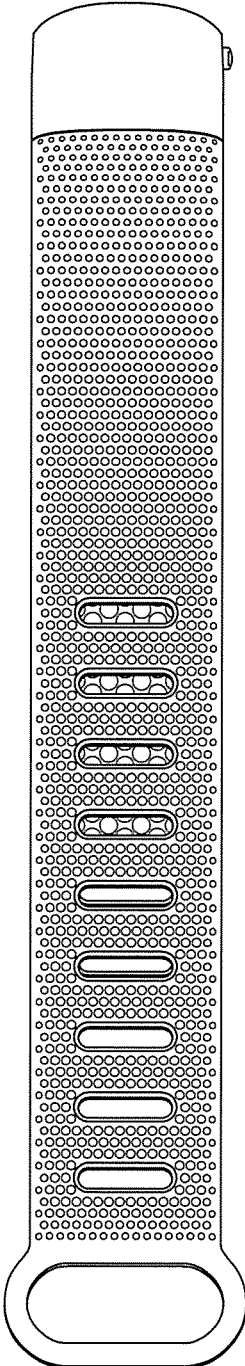


FIG. 6

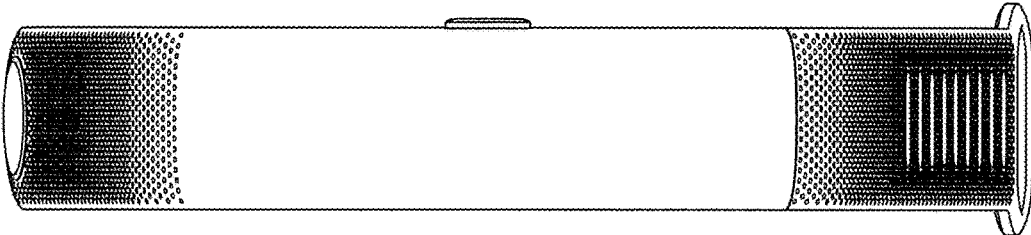


FIG. 7

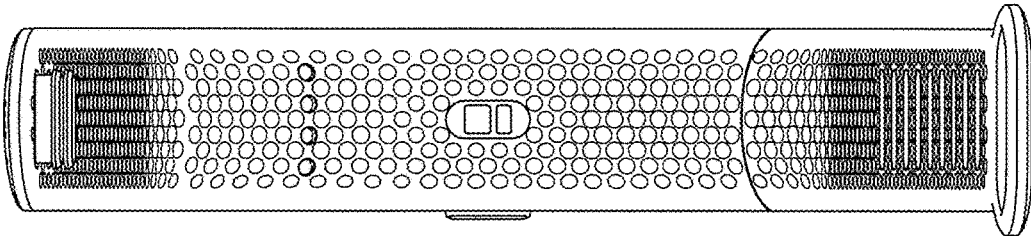


FIG. 8





FIG. 9